

ARCHITECTS  
I hereby certify that this plan, specification, or report was prepared by me or under my direct supervision and that I am a duly Licensed Architect under the laws of the State of Maine.

Print Name: Sean M. Wagner, AIA

Date: 08-01-2014 License #: ARC4112

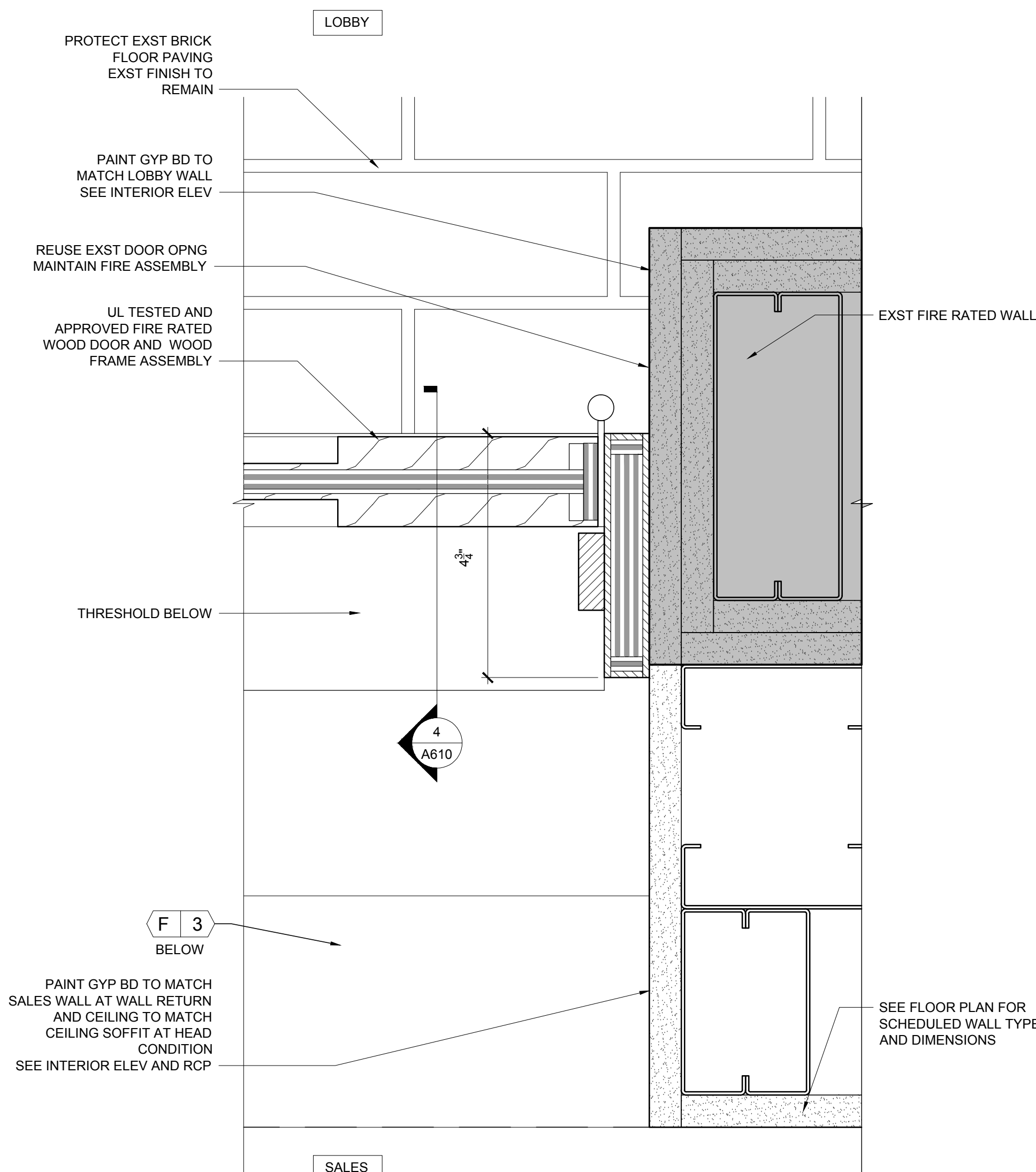
**NewStudioArchitecture**

4431 Lake Avenue South  
White Bear Lake, MN 55110

p: 651.207.5527 f: 651.207.8247

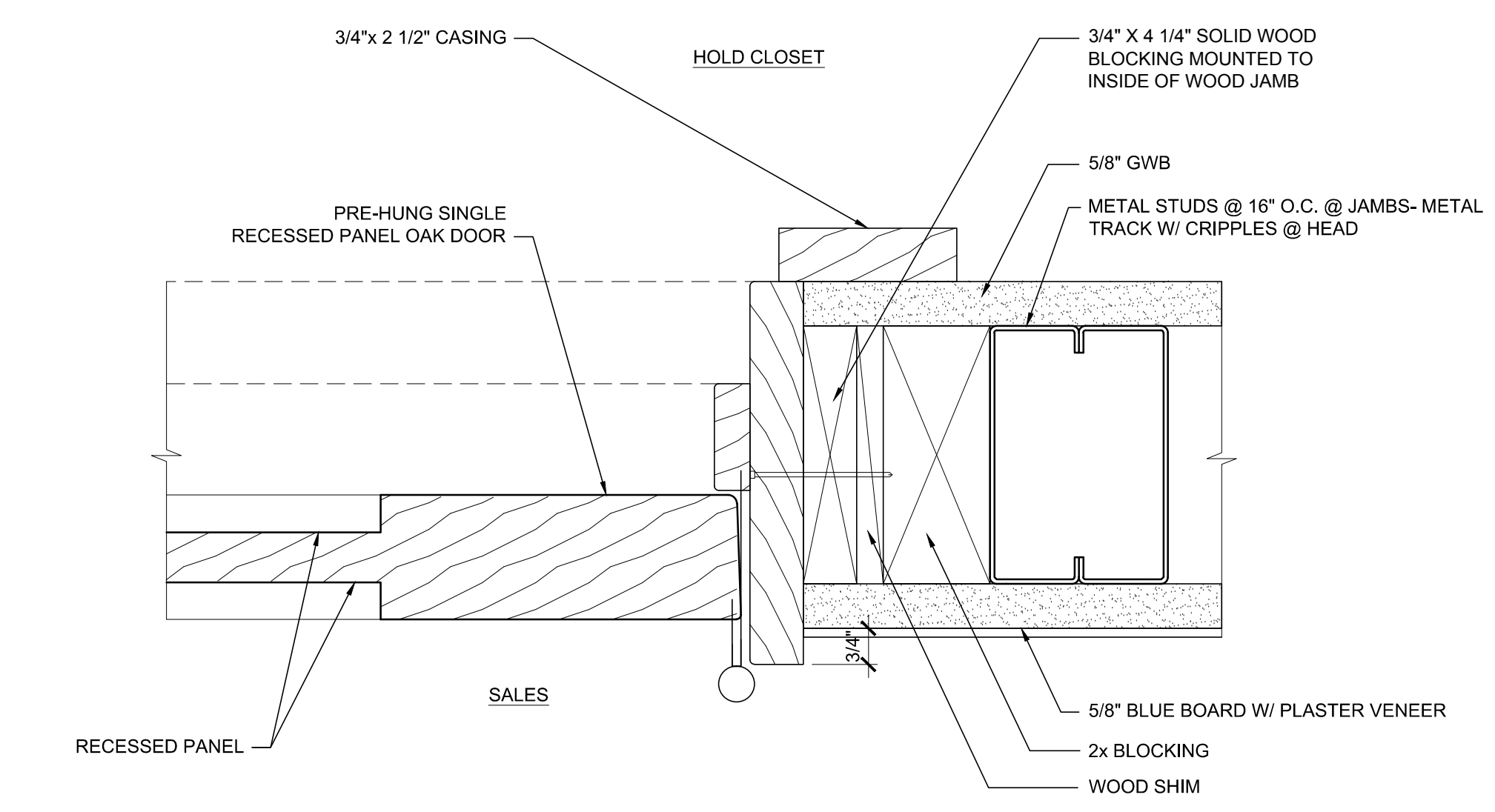
**ANTHROPOLOGIE**

60 Pearl Street  
Portland, ME 04101



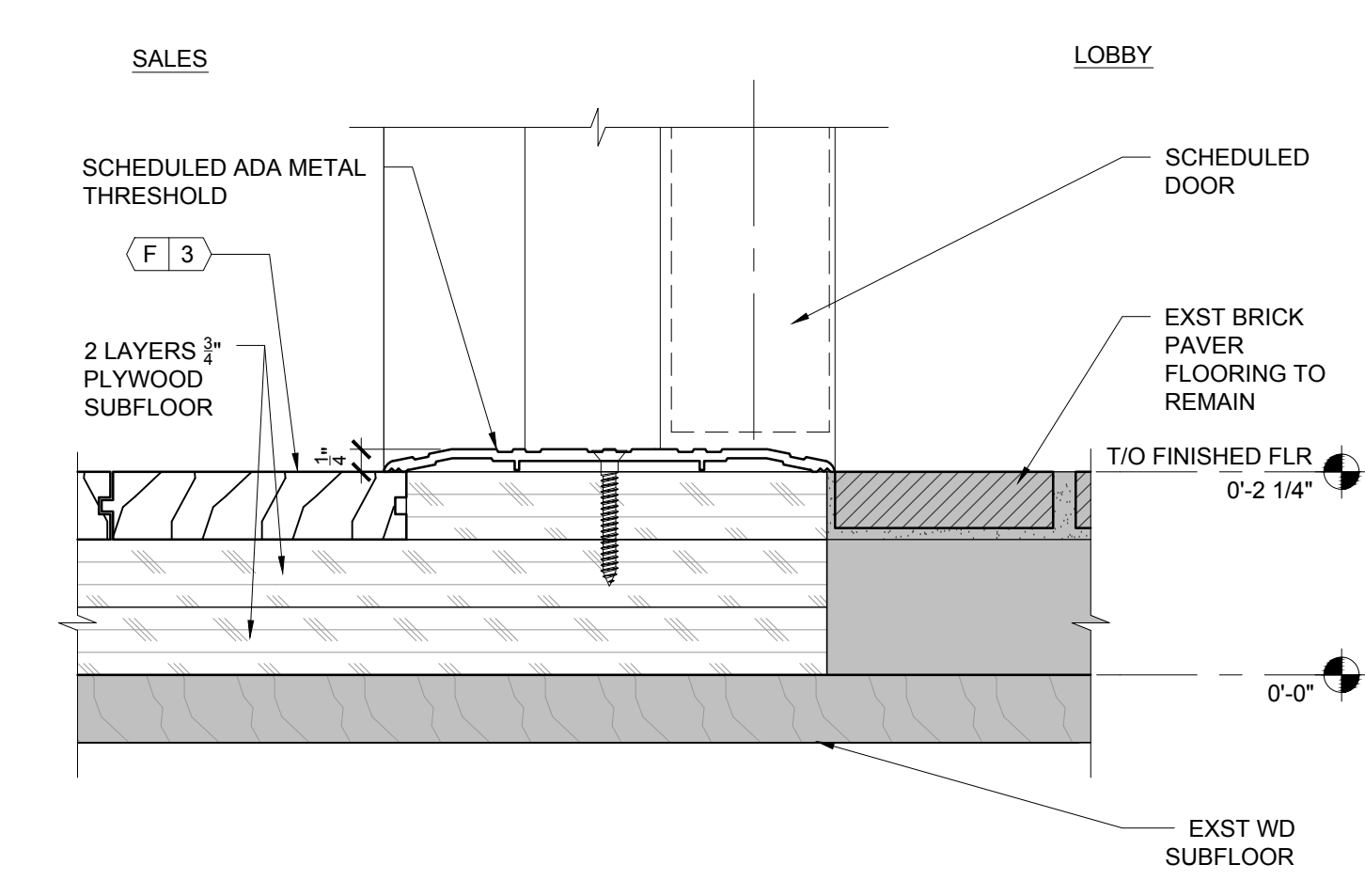
**11 WOOD FIRE DOOR HEAD/JAMB**

A610 SCALE: 6" = 1'-0"



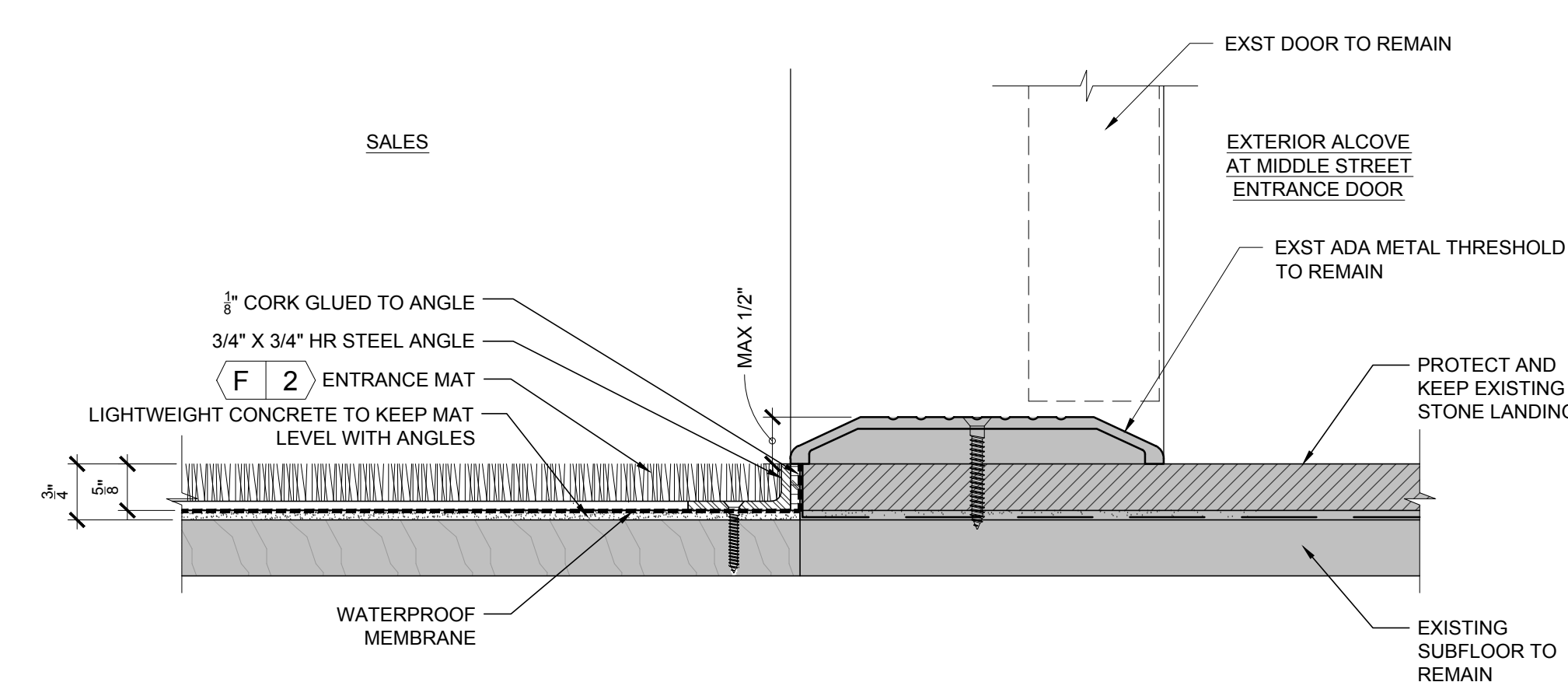
**8 HOLD CLOSET DOOR HEAD/JAMB**

A610 SCALE: 6" = 1'-0"



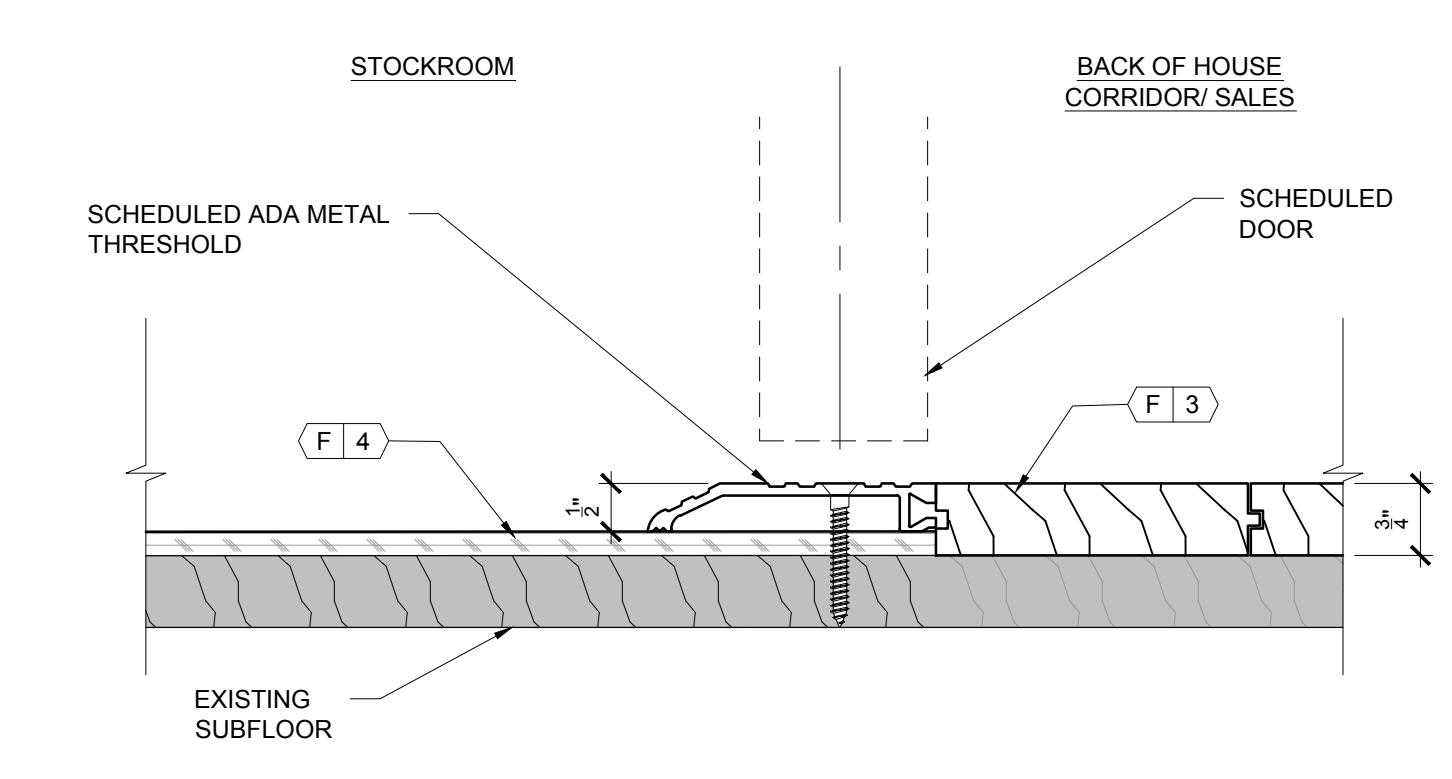
**4 LOBBY TO SALES**

A610 SCALE: 6" = 1'-0"



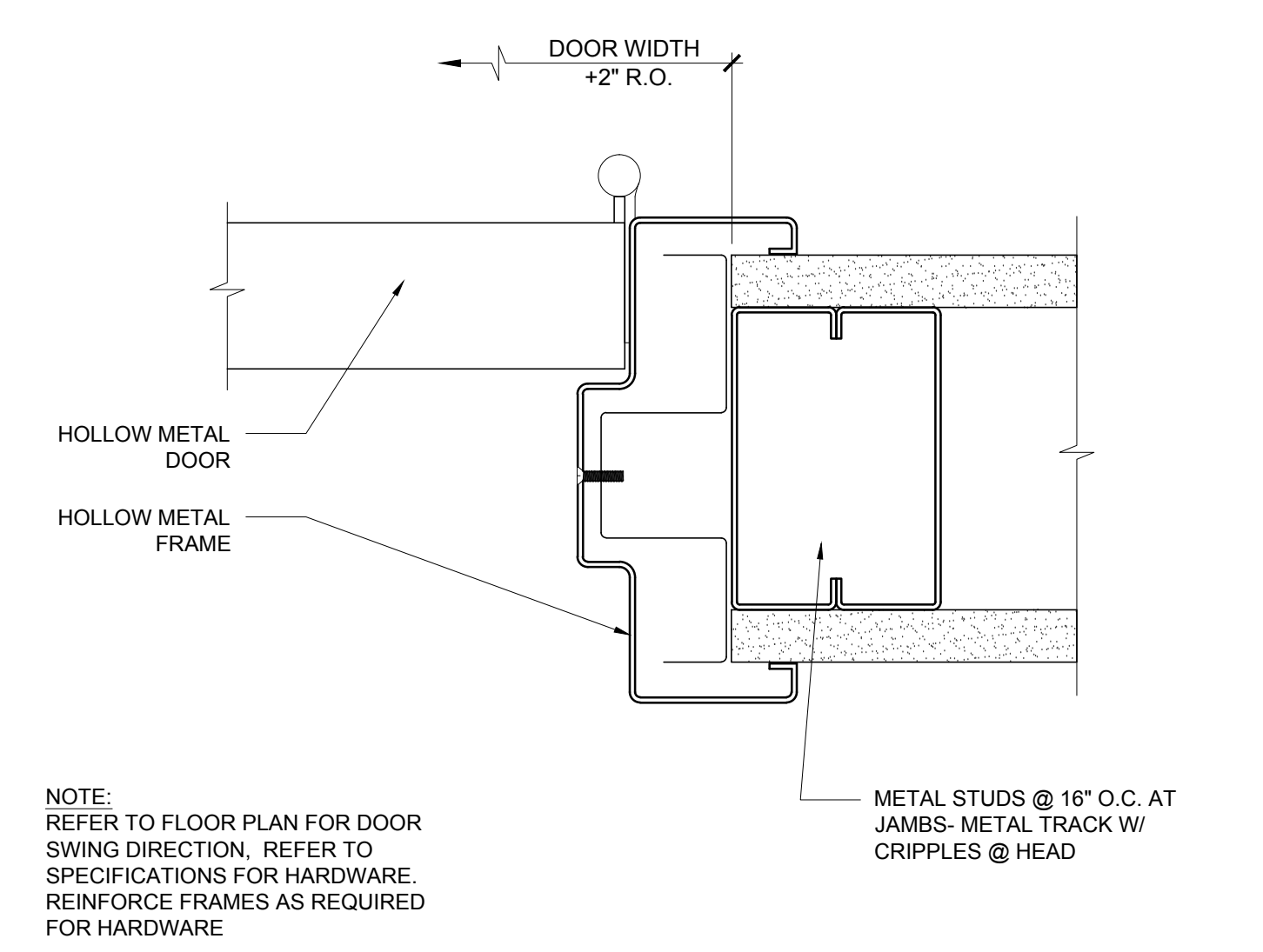
**7 ENTRY DOOR THRESHOLD**

A610 SCALE: 6" = 1'-0"



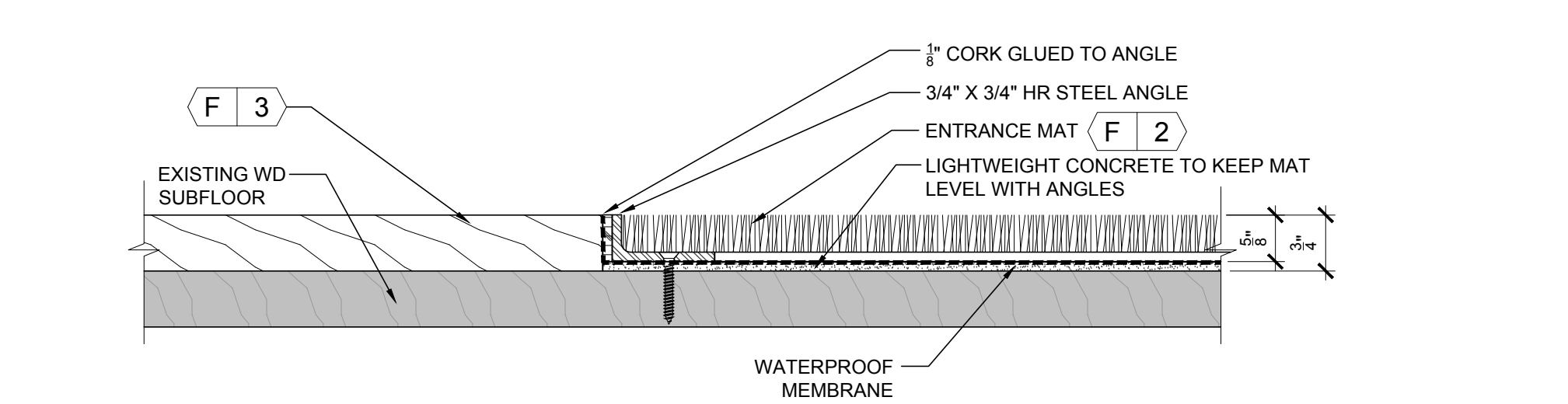
**3 WOOD FLOOR TO PLY OVERLAY AT STOCKROOMS**

A610 SCALE: 6" = 1'-0"



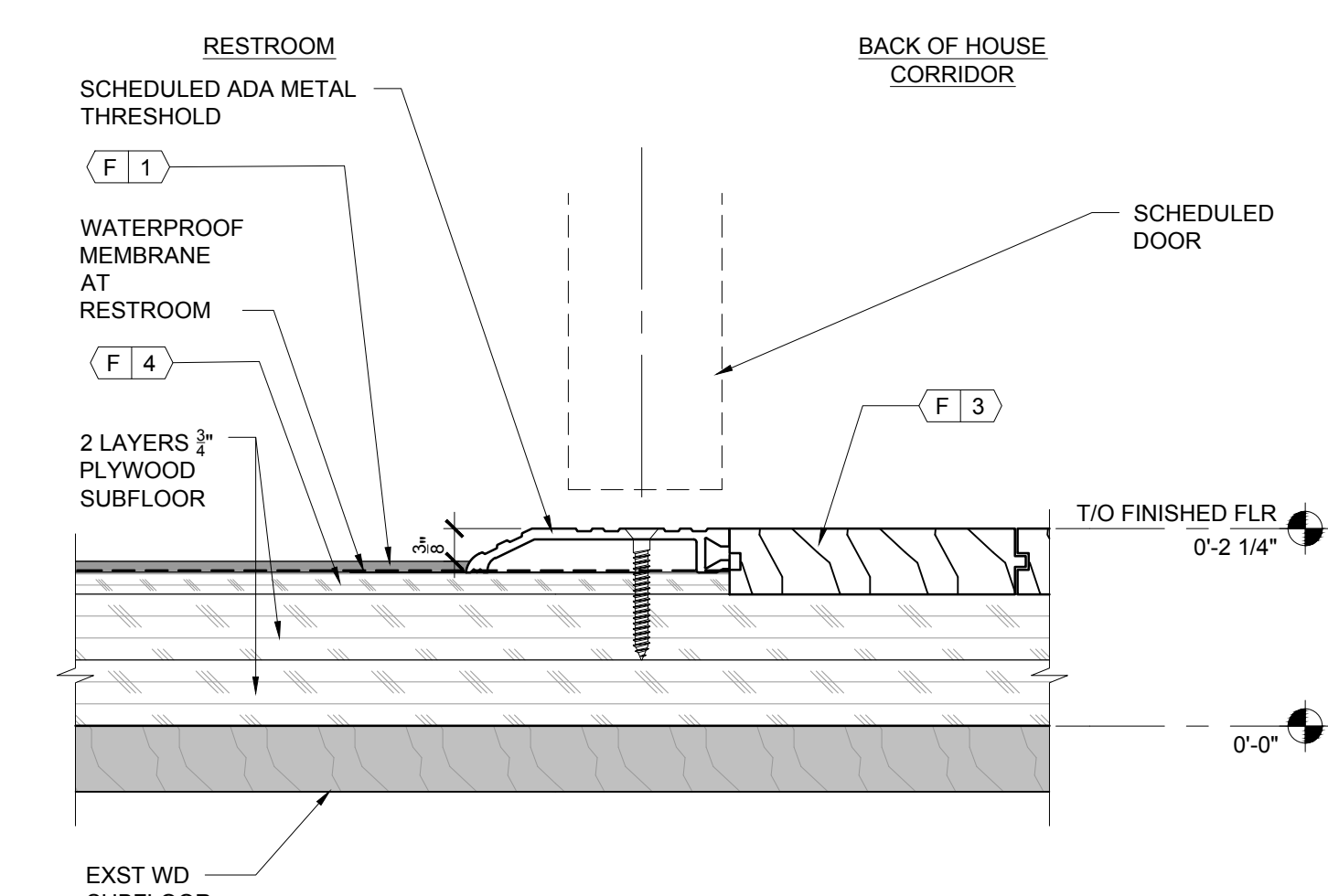
**10 H.M. DOOR HEAD/JAMB**

A610 SCALE: 6" = 1'-0"



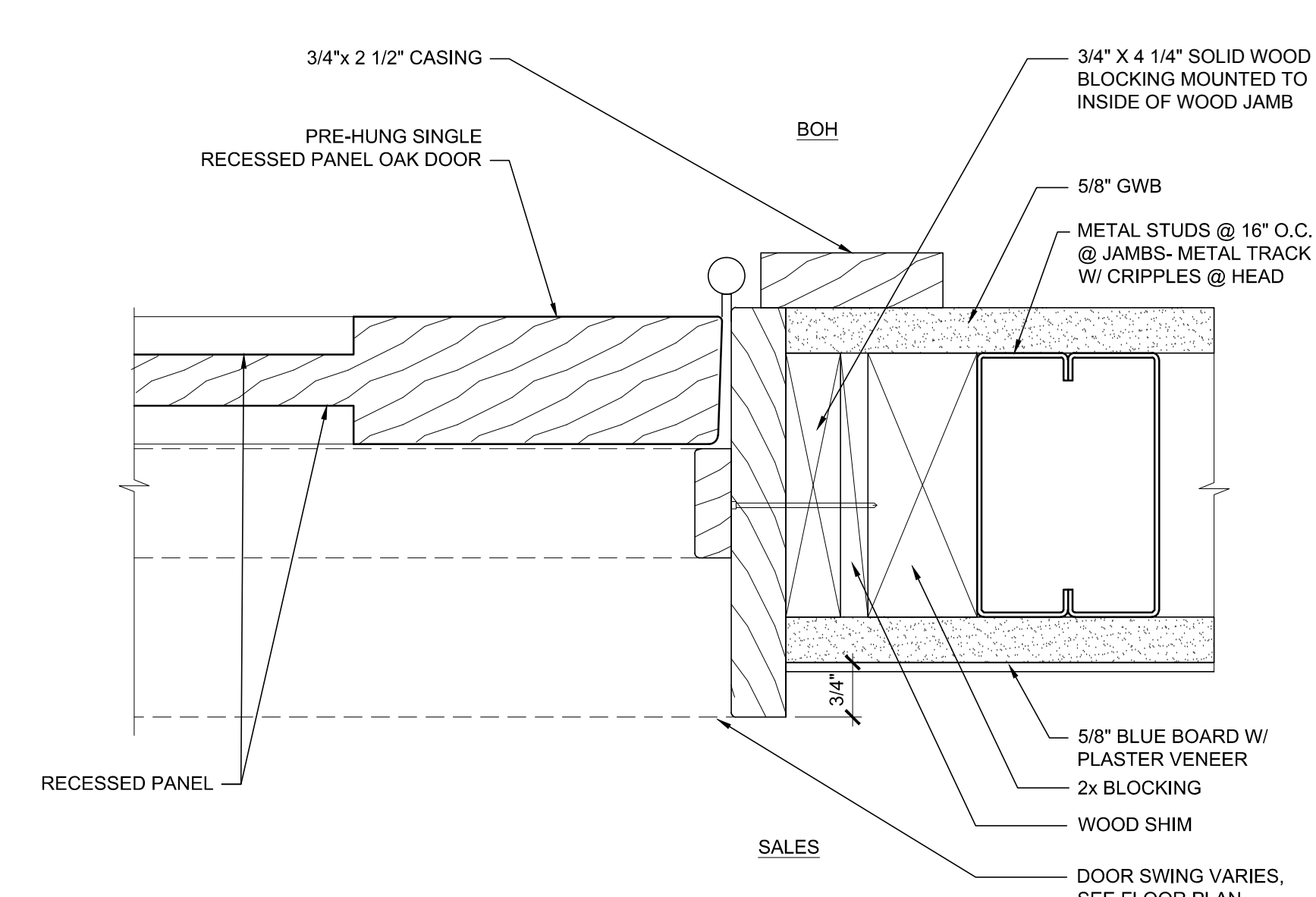
**6 WOOD FLOOR TO COCOA MAT**

A610 SCALE: 6" = 1'-0"



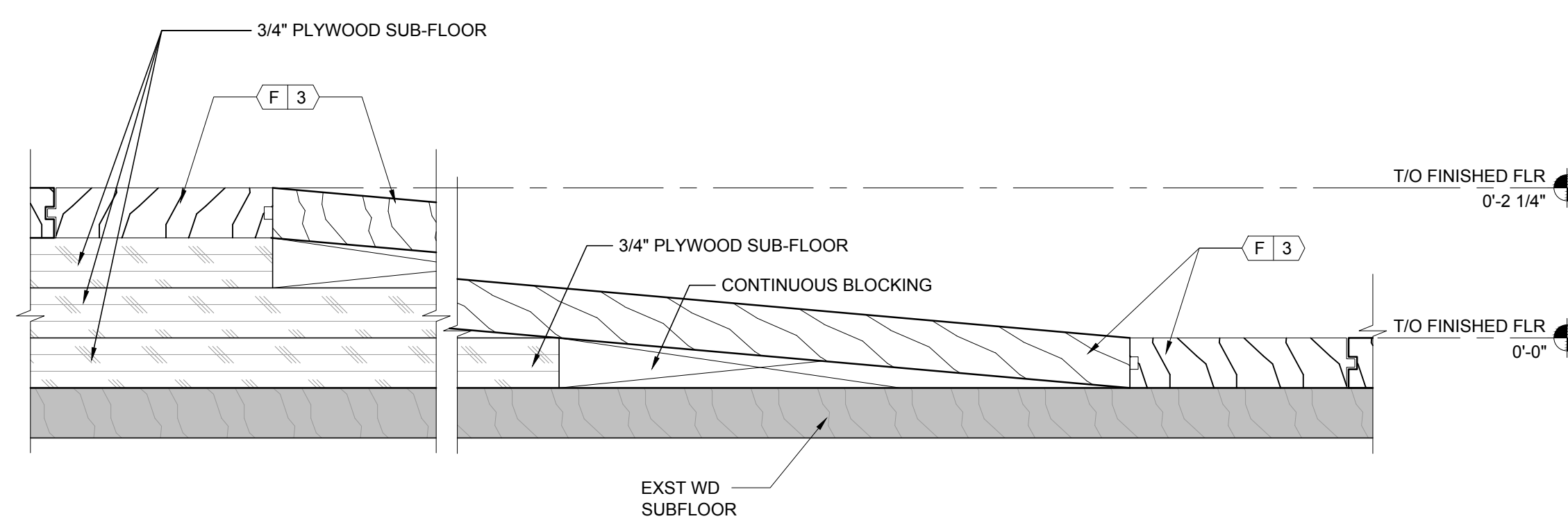
**2 WOOD FLOOR TO VCT**

A610 SCALE: 6" = 1'-0"



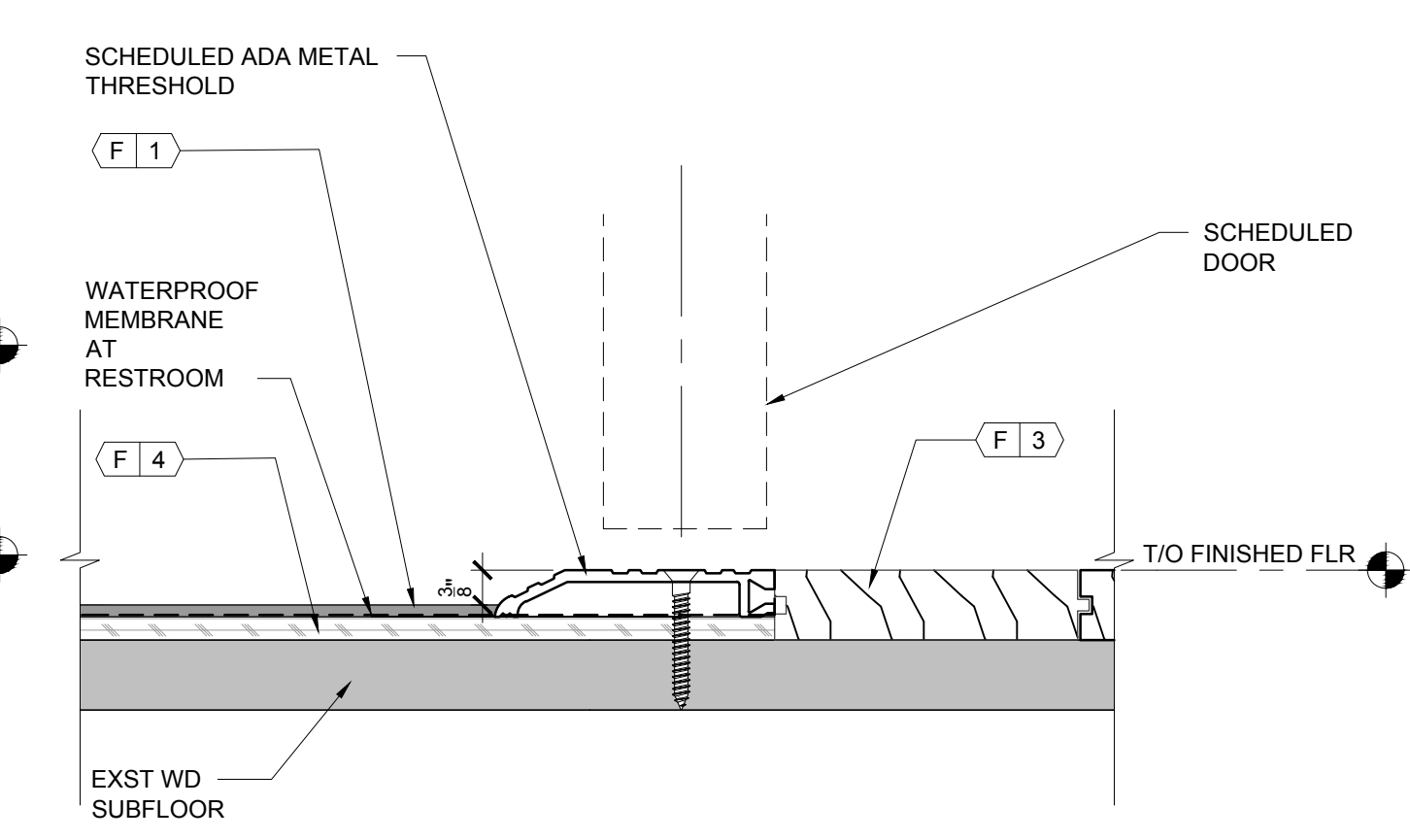
**9 SALES TO BOH DOOR HEAD/JAMB**

A610 SCALE: 6" = 1'-0"



**5 FLOOR TRANSITION: SLOPED WALK**

A610 SCALE: 6" = 1'-0"



**1 WOOD FLOOR TO VCT**

A610 SCALE: 6" = 1'-0"

DRAWN BY: BH CHECKED BY: SMW  
NSA PROJECT NUMBER: 2013-99  
PROJECT PHASE: CD

ISSUE / DATE:  
100% CHECKSET 07-11-2014  
BID/PERMIT 08-01-2014

REVISION:

SHEET TITLE:  
**DOOR, THRESHOLD, & FLOOR TRANSITION DETAILS**  
SHEET NO:

**A610**