

ARCHITECTS
I hereby certify that this plan, specification, or report
was prepared by me or under my direct supervision
and that I am a duly Licensed Architect under the laws
of the State of Maine.

Print Name: Sean M. Wagner, AIA

Date: 08-01-2014 License #: ARC4112

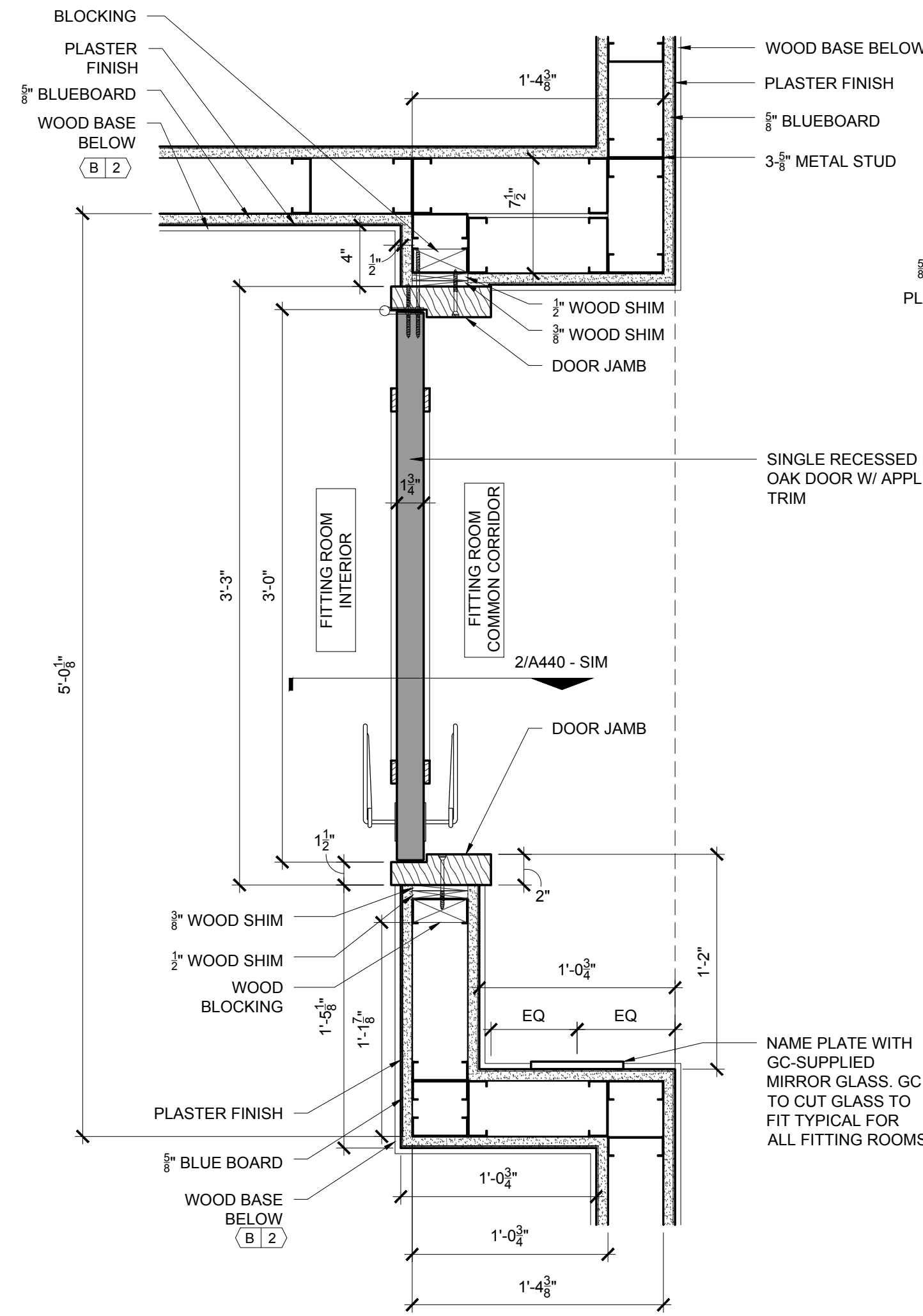
NewStudioArchitecture

4431 Lake Avenue South
White Bear Lake, MN 55110

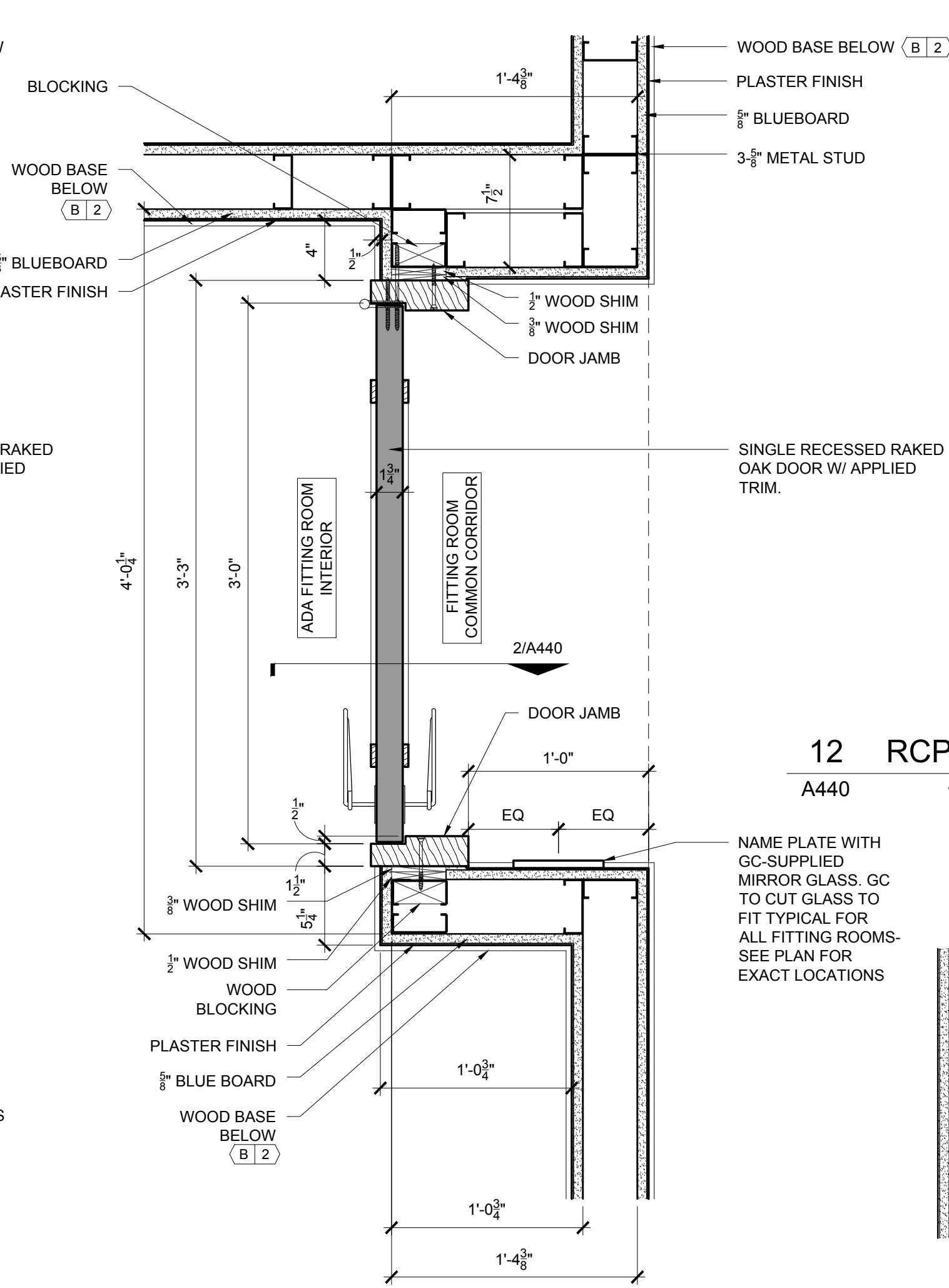
p: 651.207.5527 f: 651.207.8247

ANTHROPOLOGIE

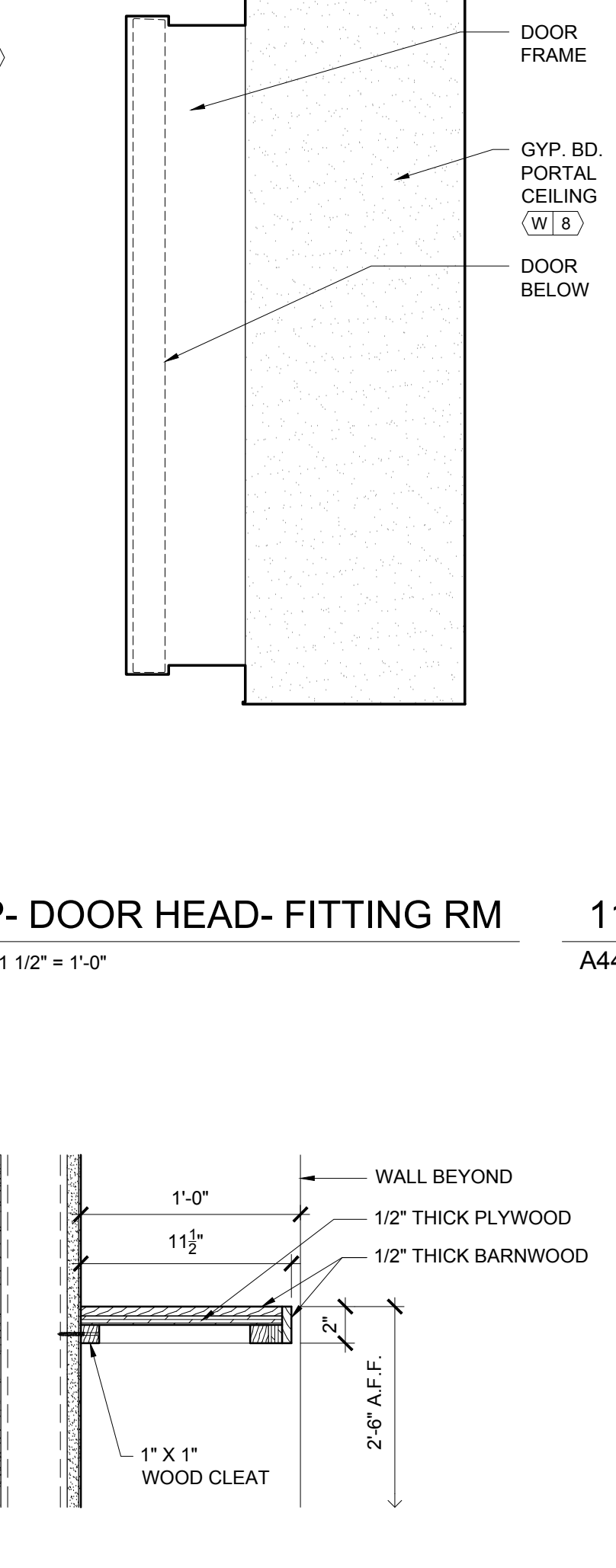
60 Pearl Street
Portland, ME 04101



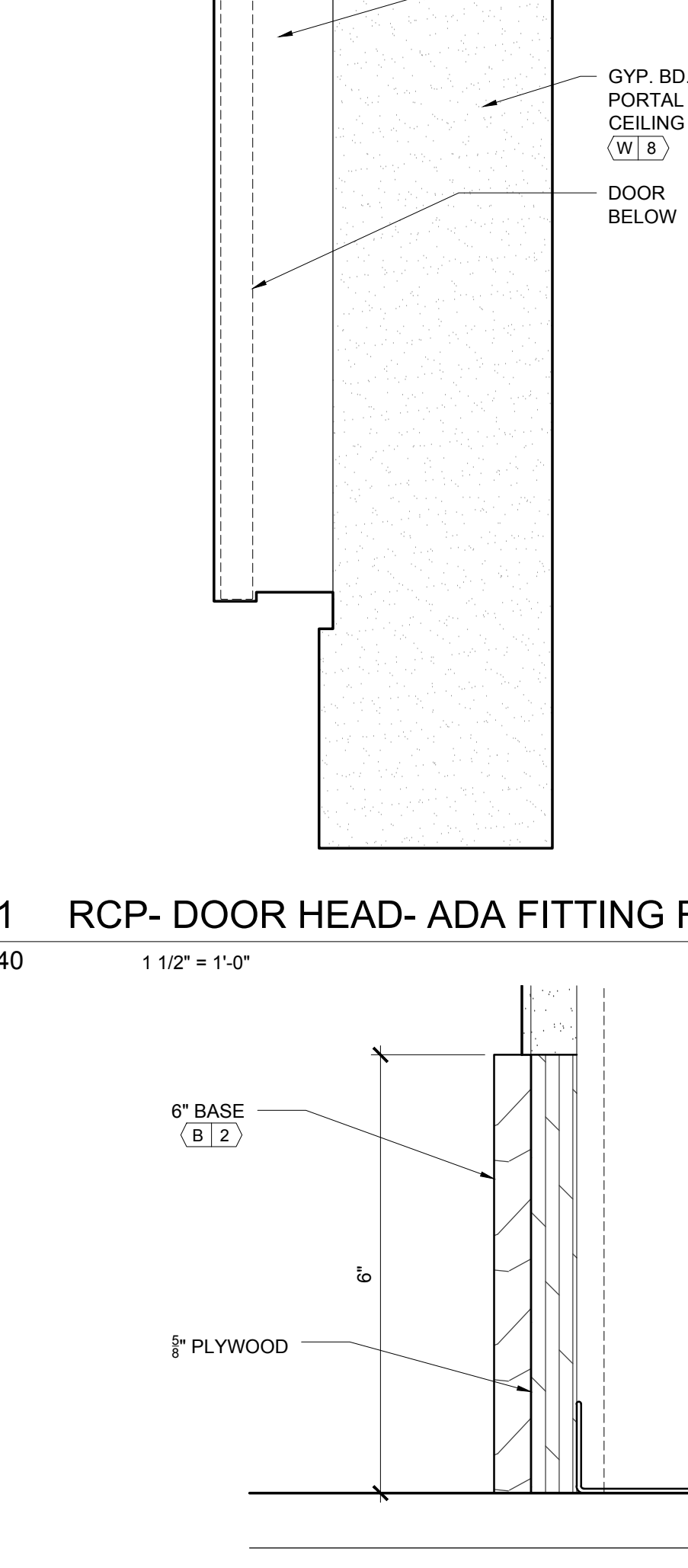
9 ADA FITTING ROOM PORTAL/DOOR JAMB DETAIL
A440 1 1/2" = 1'-0"



8 FITTING ROOM PORTAL/DOOR JAMB DETAIL
A440 1 1/2" = 1'-0"



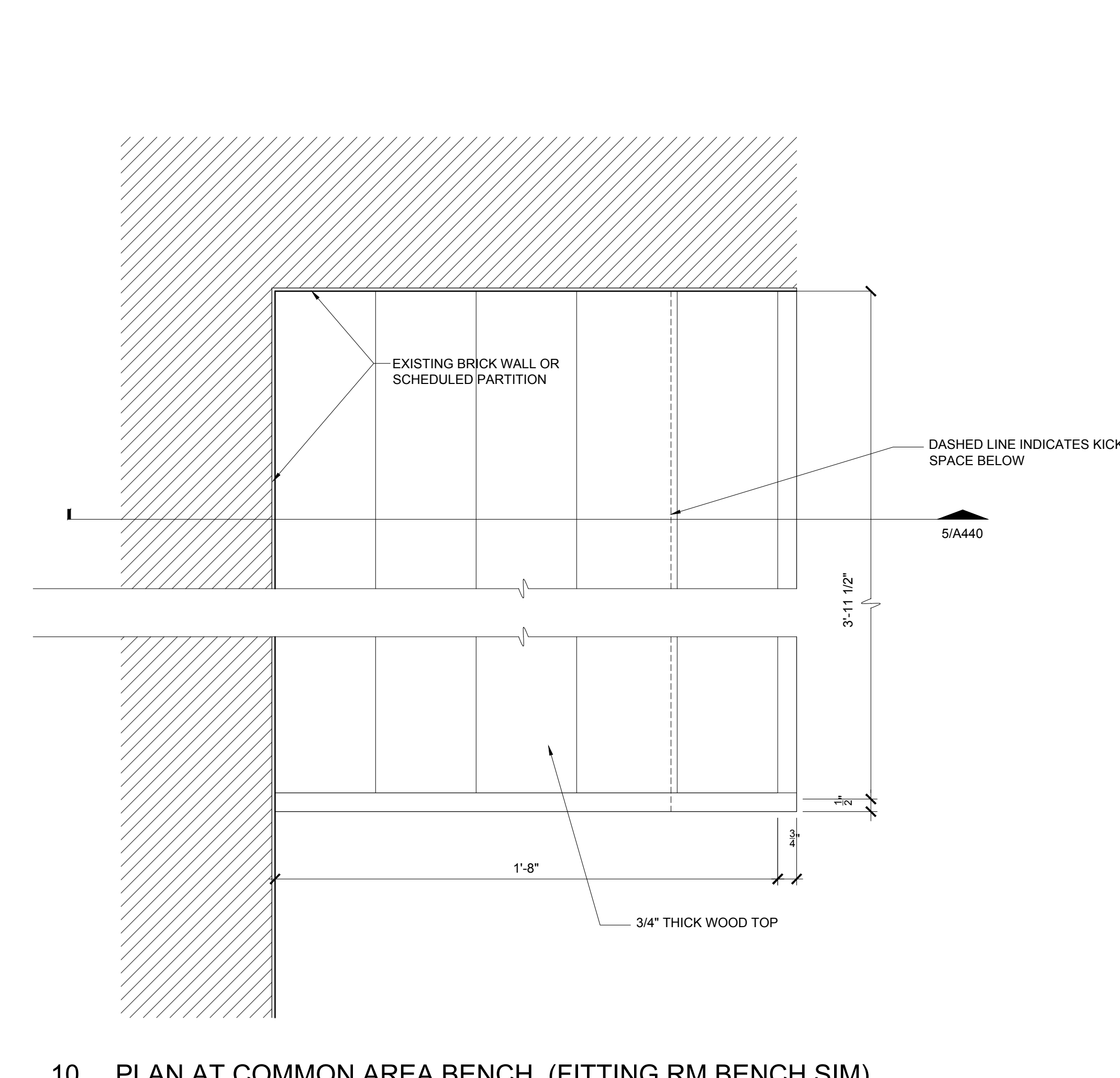
7 SECTION DETAIL @ SHELF
A440 1 1/2" = 1'-0"



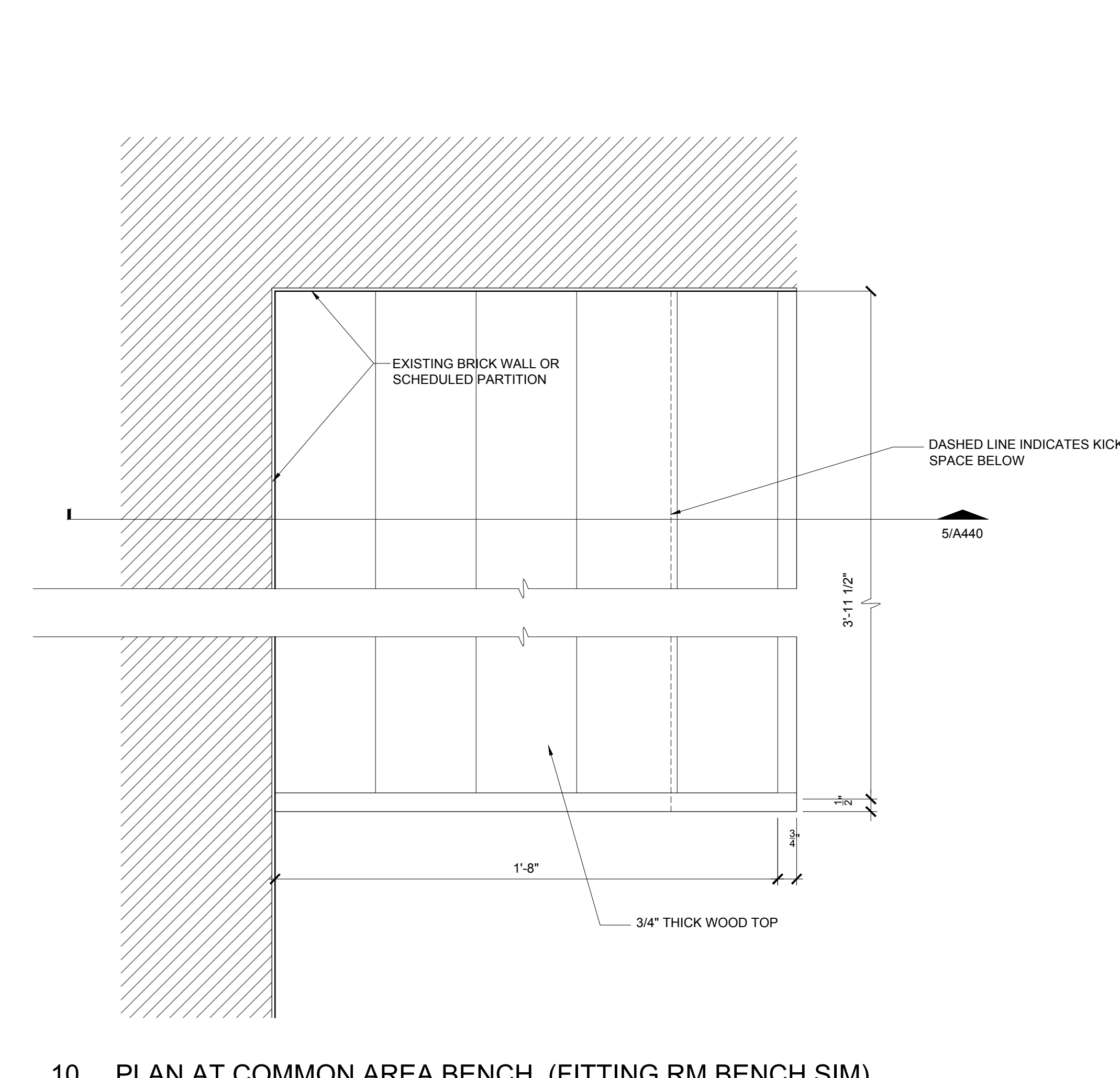
6 BASE DETAIL
A433 6" = 1'-0"



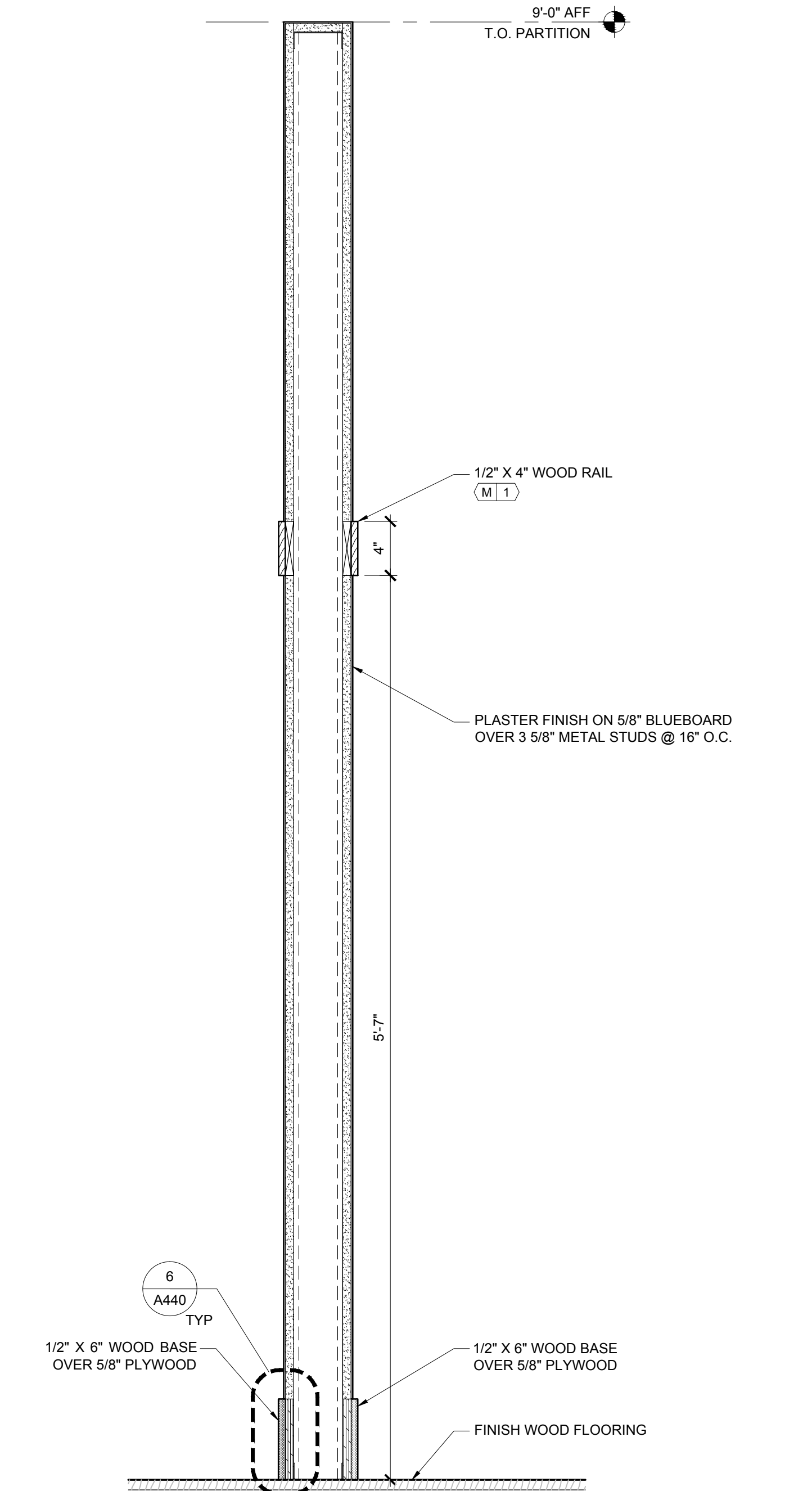
12 RCP- DOOR HEAD- FITTING RM
A440 1 1/2" = 1'-0"



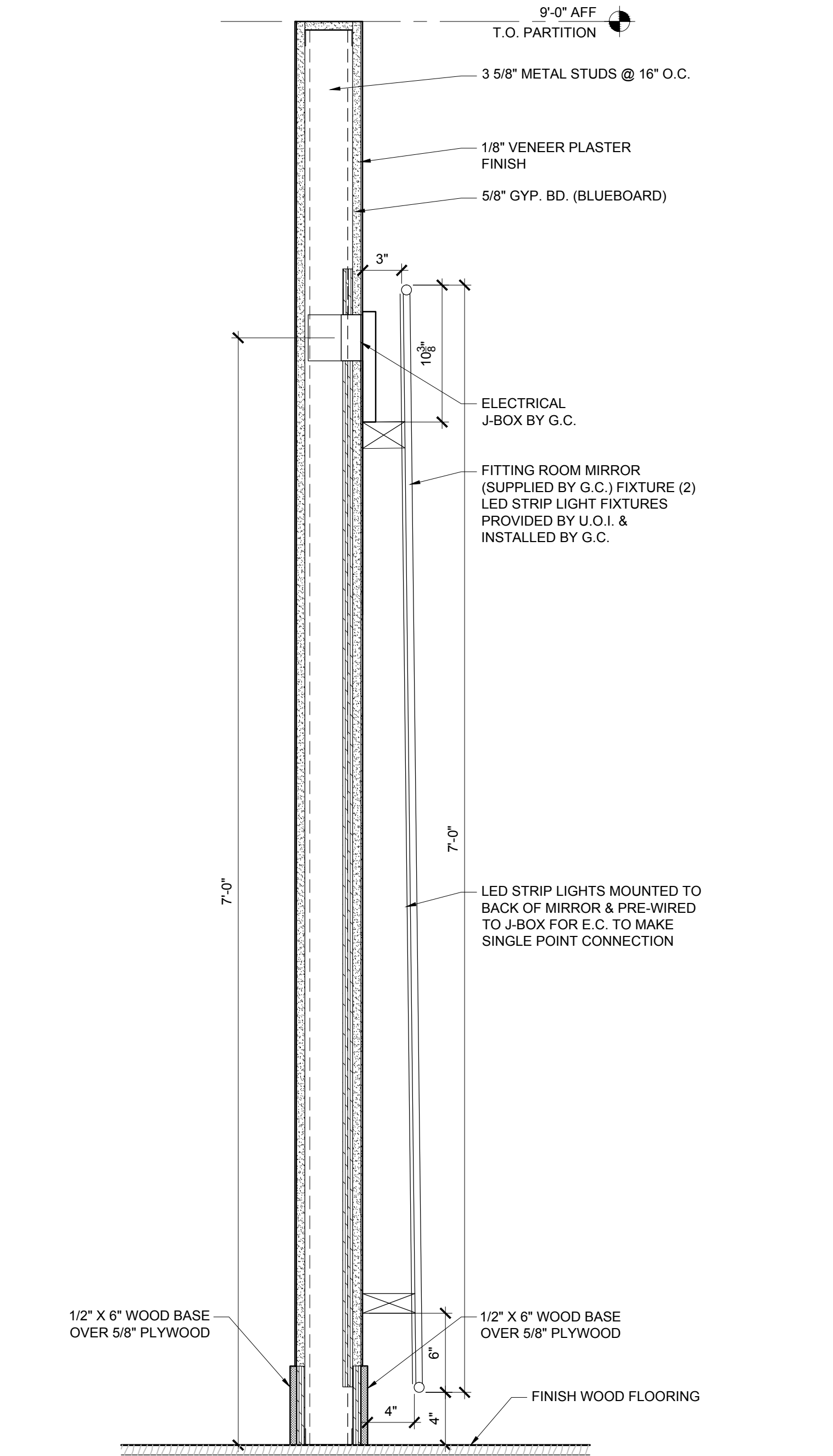
11 RCP- DOOR HEAD- ADA FITTING RM
A440 1 1/2" = 1'-0"



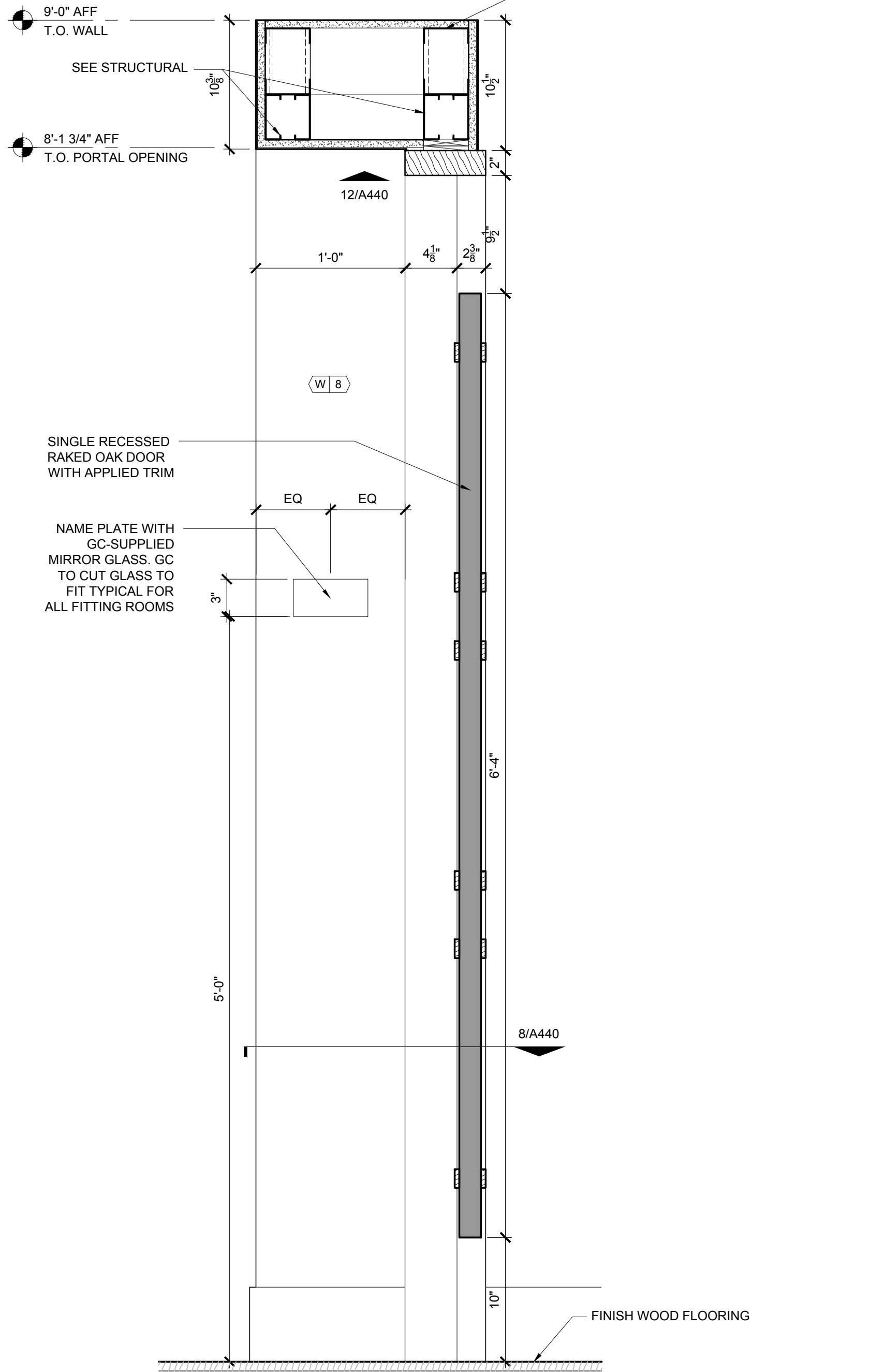
10 PLAN AT COMMON AREA BENCH (FITTING RM BENCH SIM)
A440 3" = 1'-0"



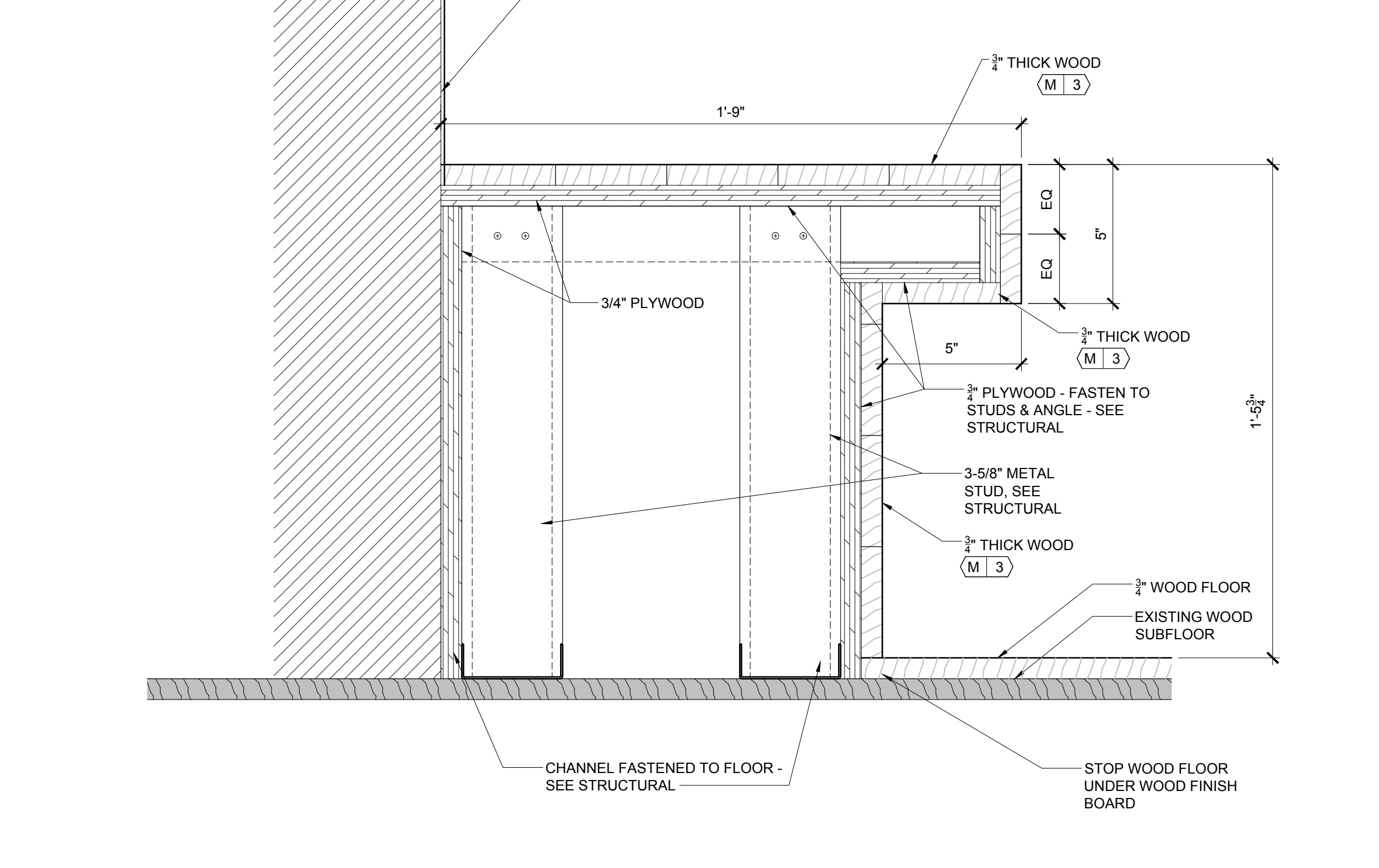
4 SECTION @ TYPICAL FITTING ROOM PARTITION
A440 1 1/2" = 1'-0"



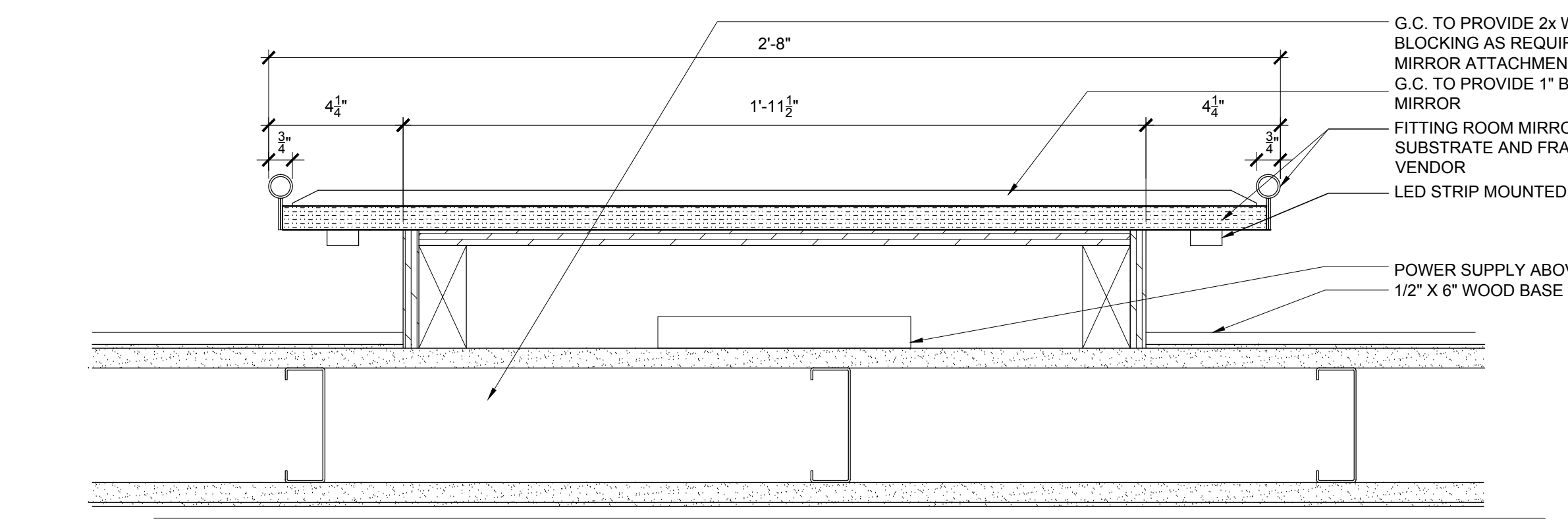
3 SECTION @ FITTING ROOM MIRROR
A440 1 1/2" = 1'-0"



2 SECTION @ FITTING ROOM PORTAL & DOOR
A440 1 1/2" = 1'-0"



5 SECTION AT COMMON AREA BENCH (FITTING RM BENCH SIM)
A440 3" = 1'-0"



1 PLAN DETAIL @ MIRROR
A440 3" = 1'-0"

DRAWN BY: BH CHECKED BY: SMW

NSA PROJECT NUMBER: 2013-99

PROJECT PHASE: CD

ISSUE / DATE:

100% CHECKSET 07-11-2014

BID/PERMIT 08-01-2014

REVISION:

SHEET TITLE:
**INTERIOR
DETAILS -
FITTING ROOM
ASSEMBLIES**

SHEET NO.:

A440