

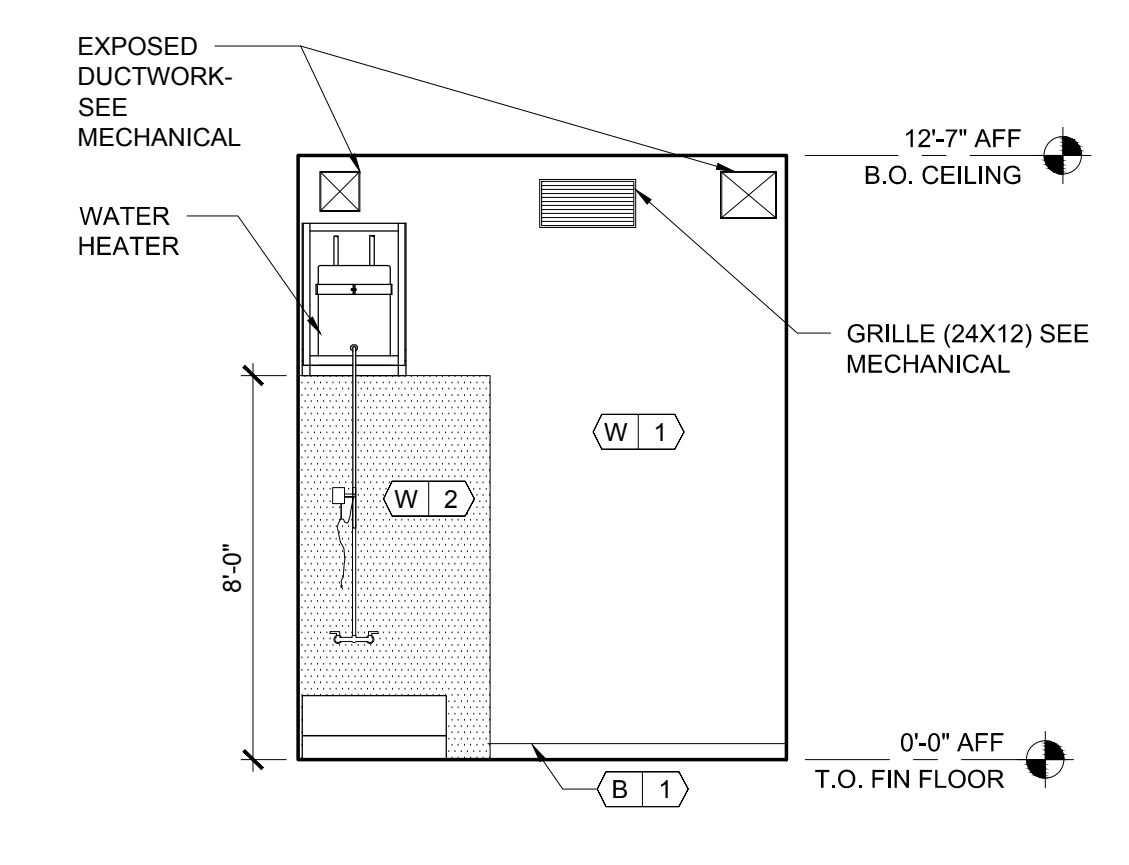
ARCHITECTS  
I hereby certify that this plan, specification, or report was prepared by me or under my direct supervision and that I am a duly Licensed Architect under the laws of the State of Maine.

Print Name: Sean M. Wagner, AIA

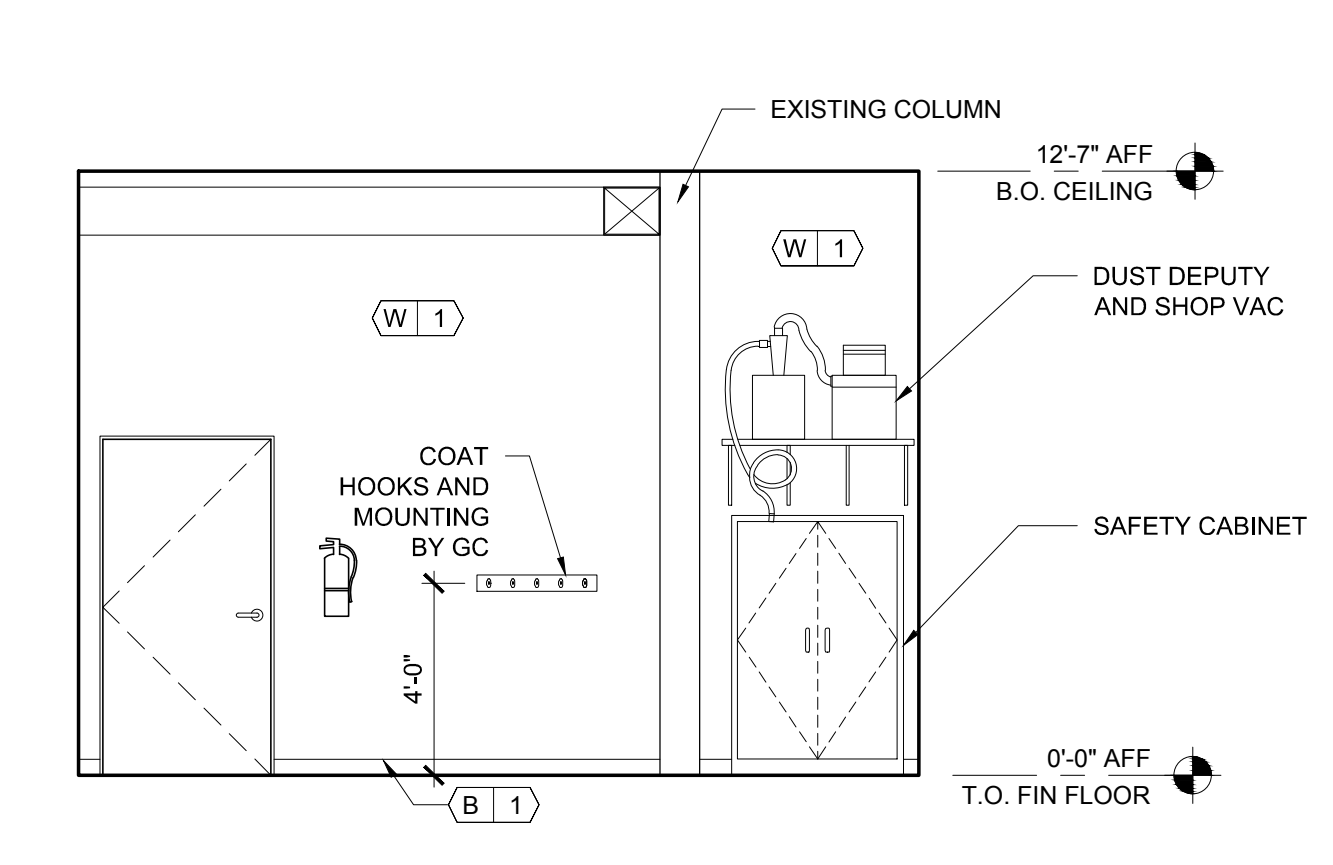
Date: 08-01-2014 License #: ARC4112

**NewStudioArchitecture**  
4431 Lake Avenue South  
White Bear Lake, MN 55110  
p: 651.207.5527 f: 651.207.8247

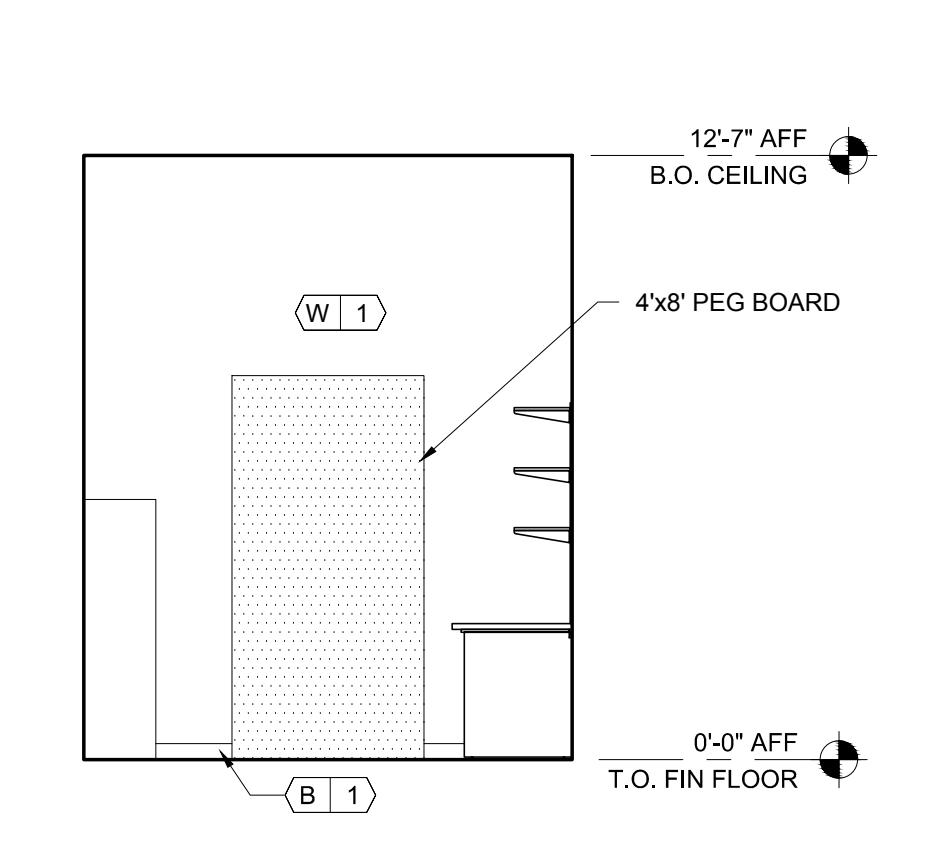
**ANTHROPOLOGIE**  
60 Pearl Street  
Portland, ME 04101



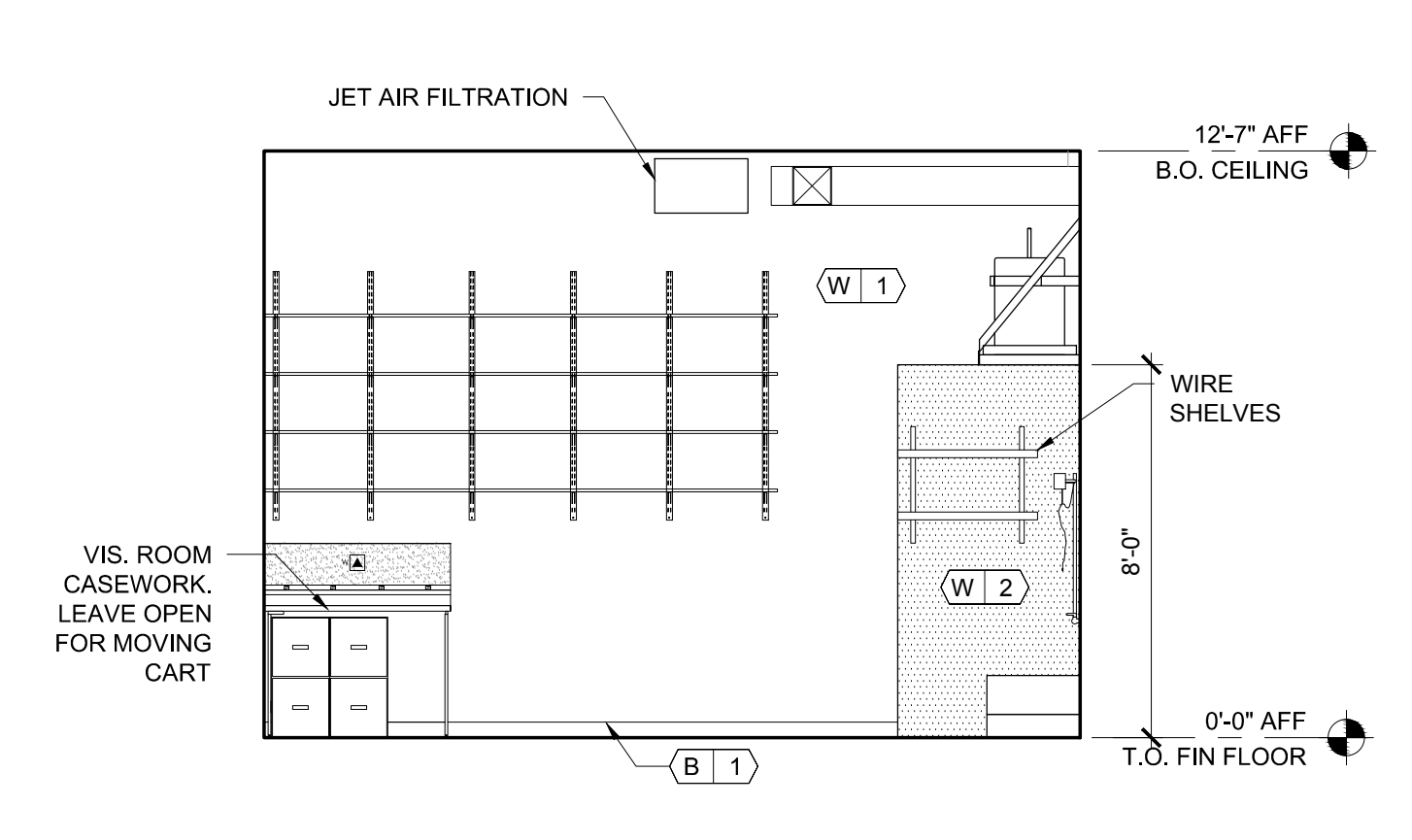
20 INTR ELEV - VIS ROOM  
A420 SCALE: 1/4" = 1'-0"



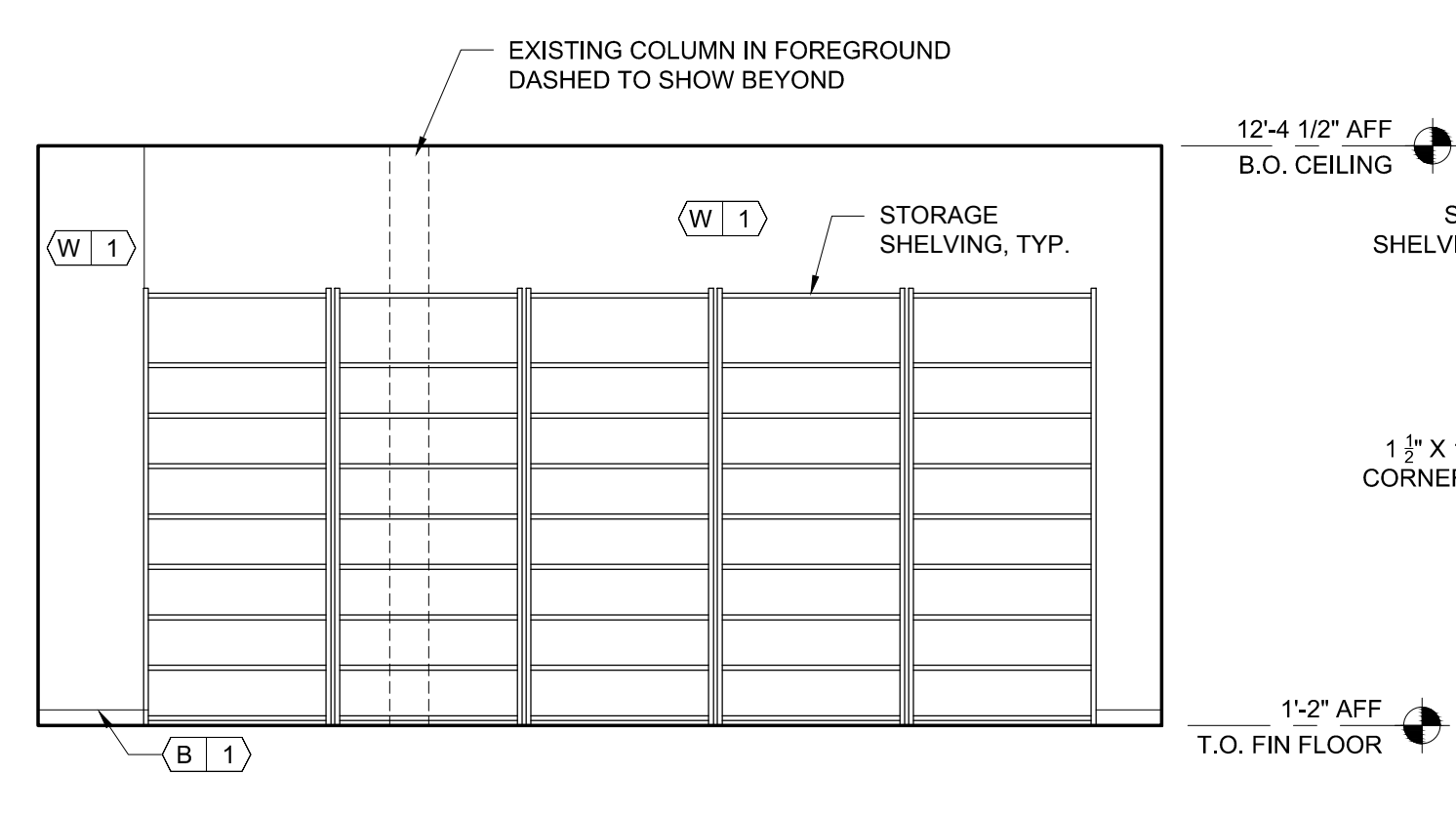
19 INTR ELEV - VIS ROOM  
A420 SCALE: 1/4" = 1'-0"



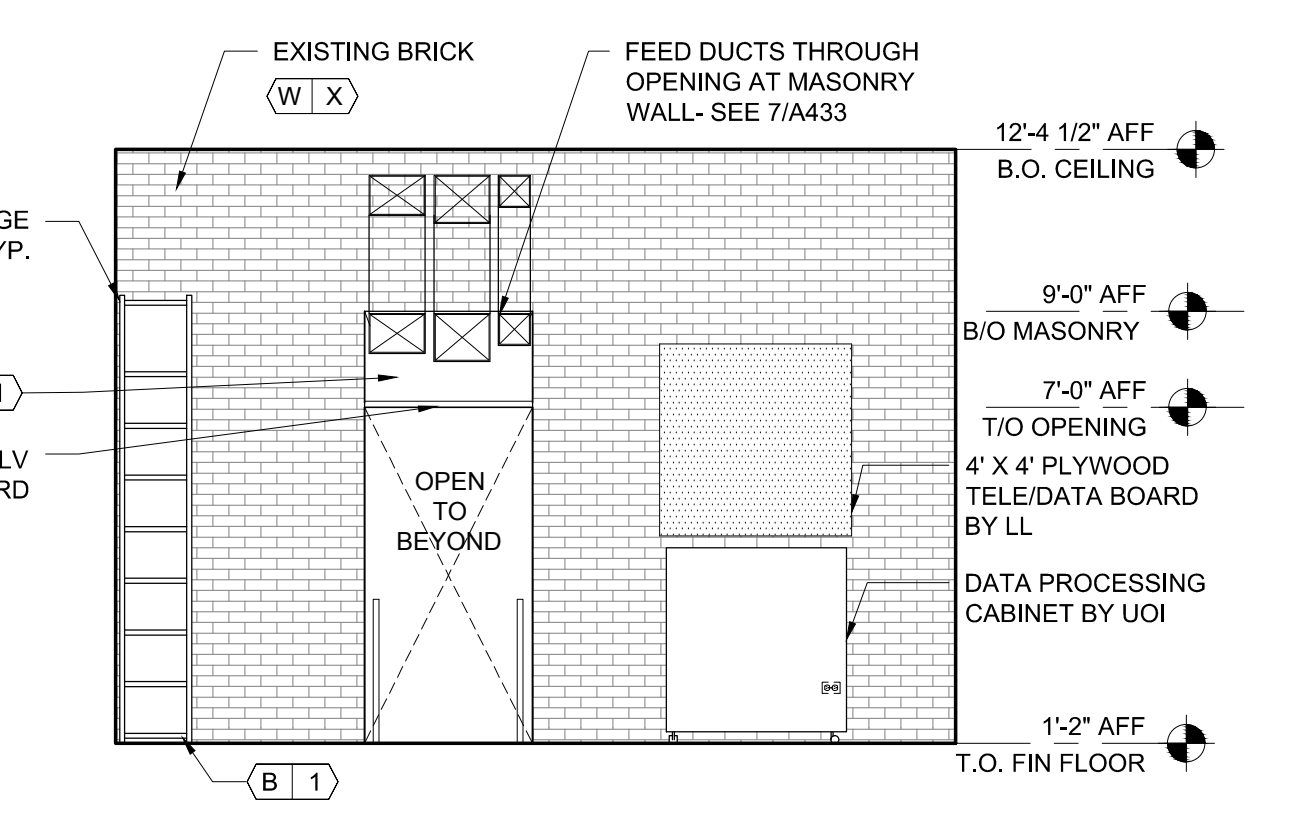
18 INTR ELEV - VIS ROOM  
A420 SCALE: 1/4" = 1'-0"



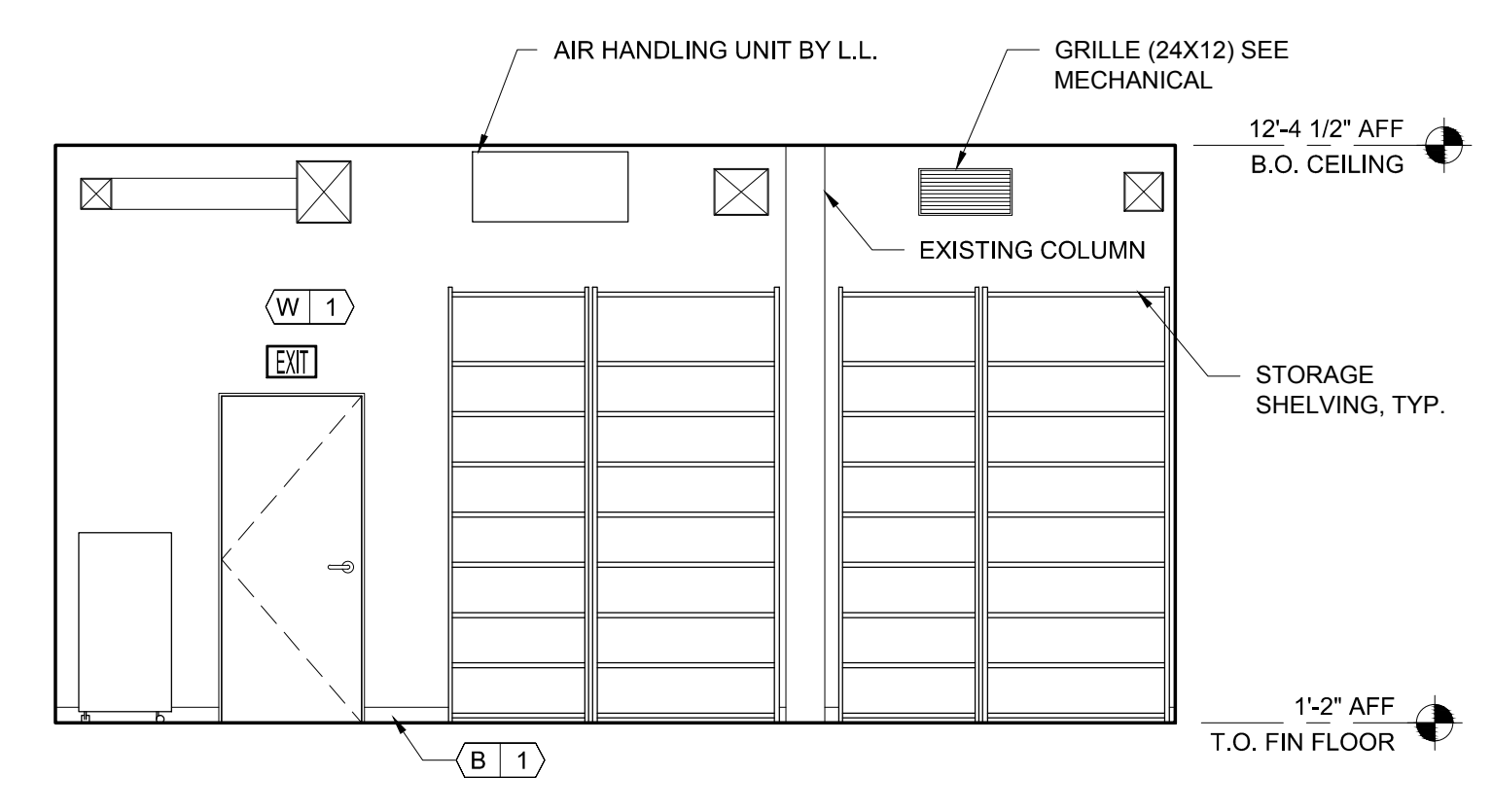
17 INTR ELEV - VIS ROOM  
A420 SCALE: 1/4" = 1'-0"



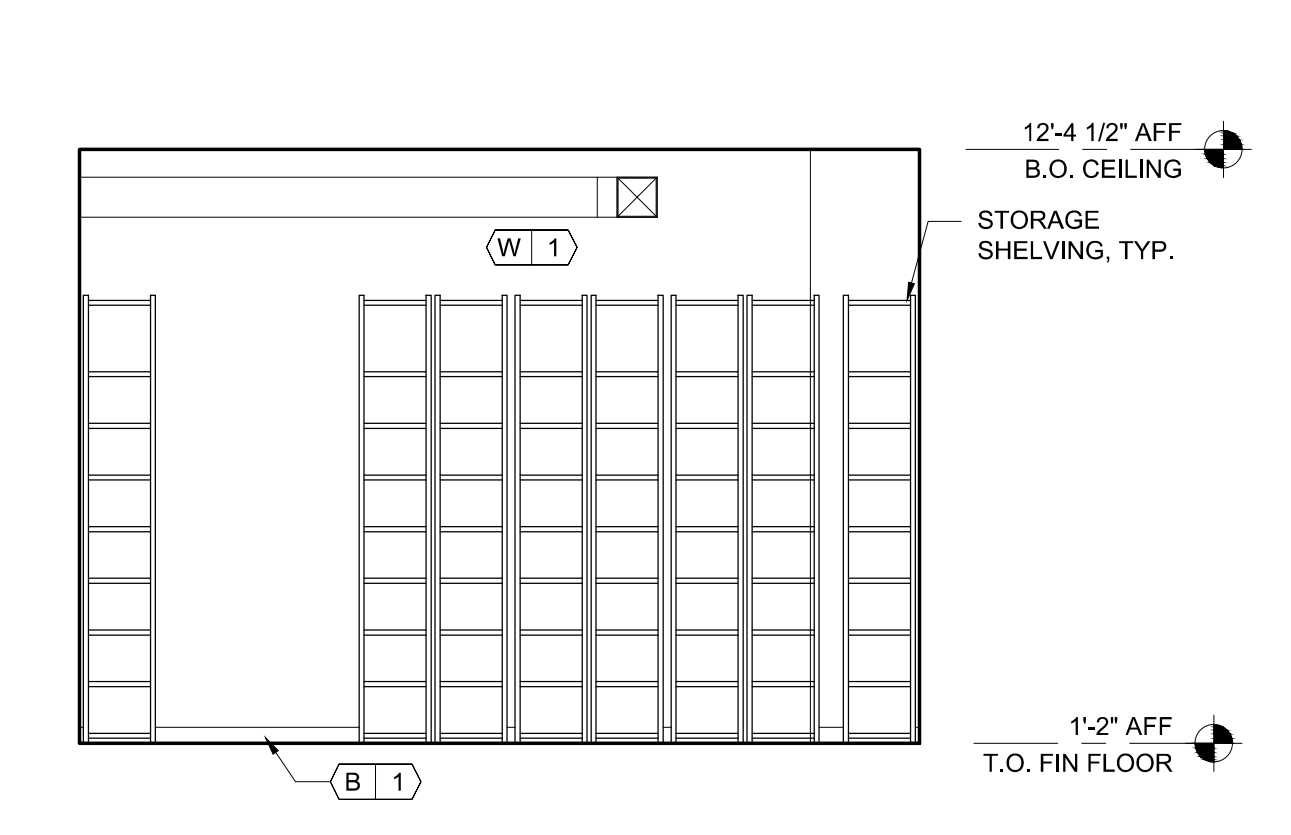
16 INTR ELEV - UPPER STOCKROOM  
A420 SCALE: 1/4" = 1'-0"



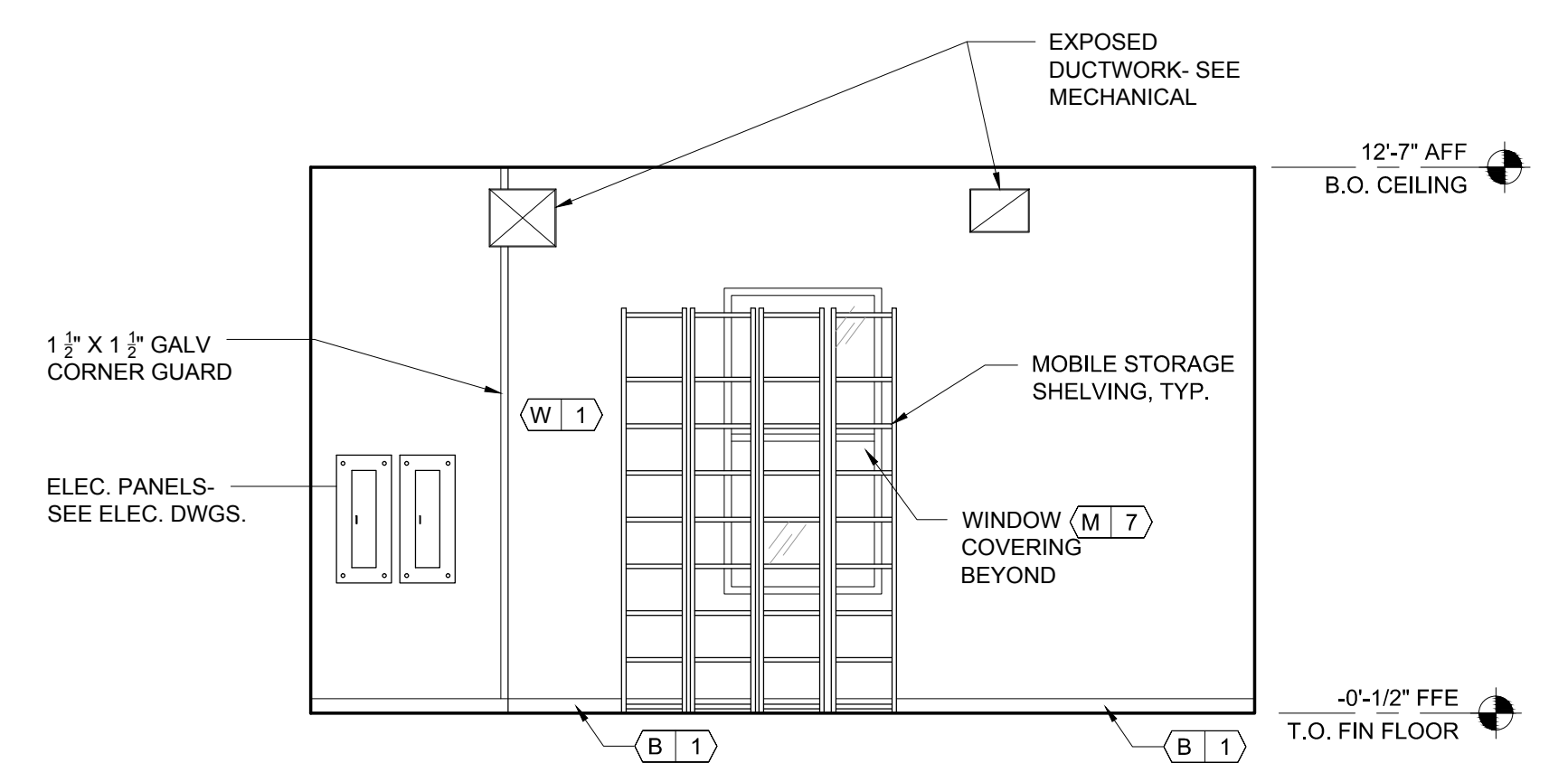
15 INTR ELEV - UPPER STOCKROOM  
A420 SCALE: 1/4" = 1'-0"



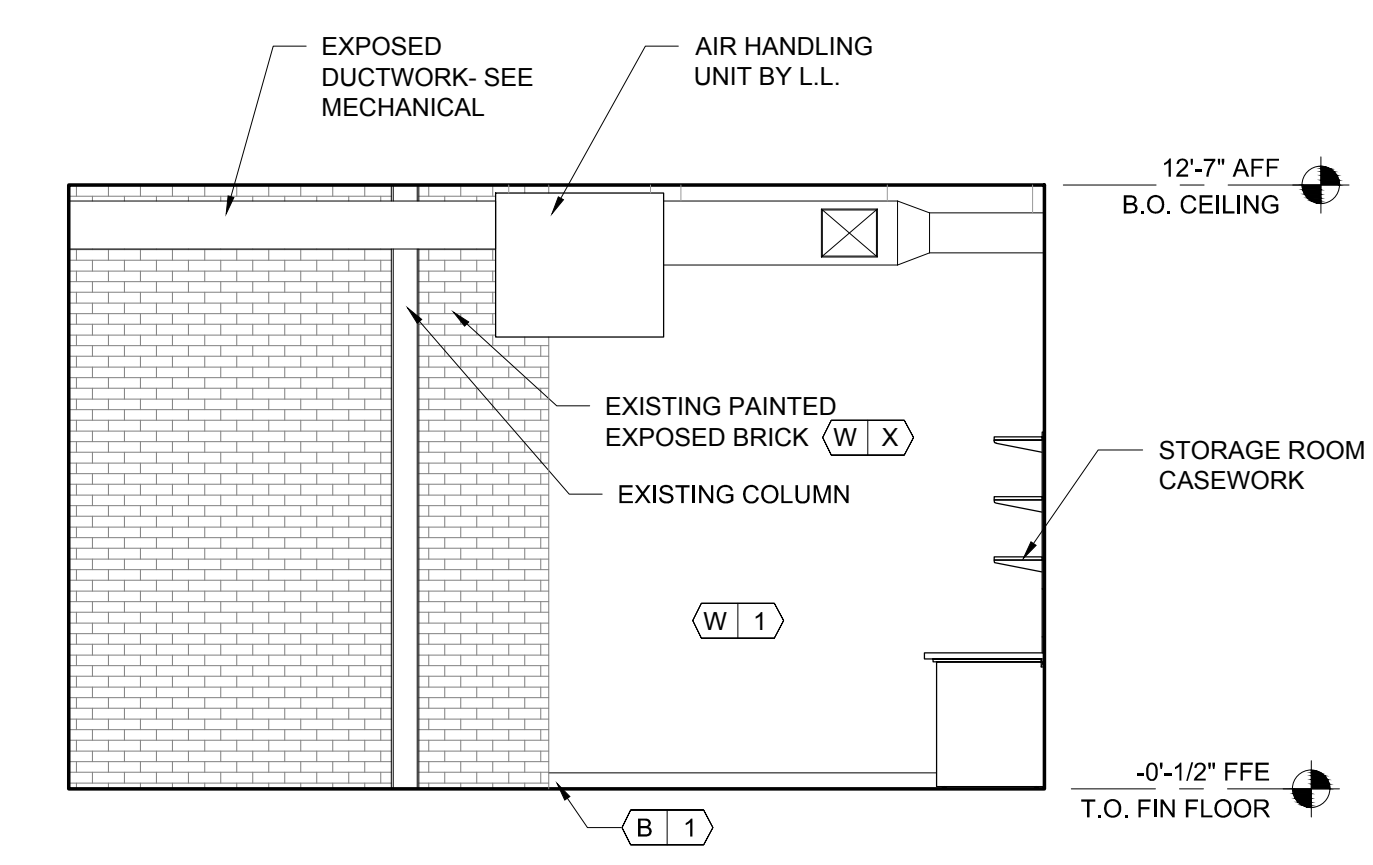
14 INTR ELEV - UPPER STOCKROOM  
A420 SCALE: 1/4" = 1'-0"



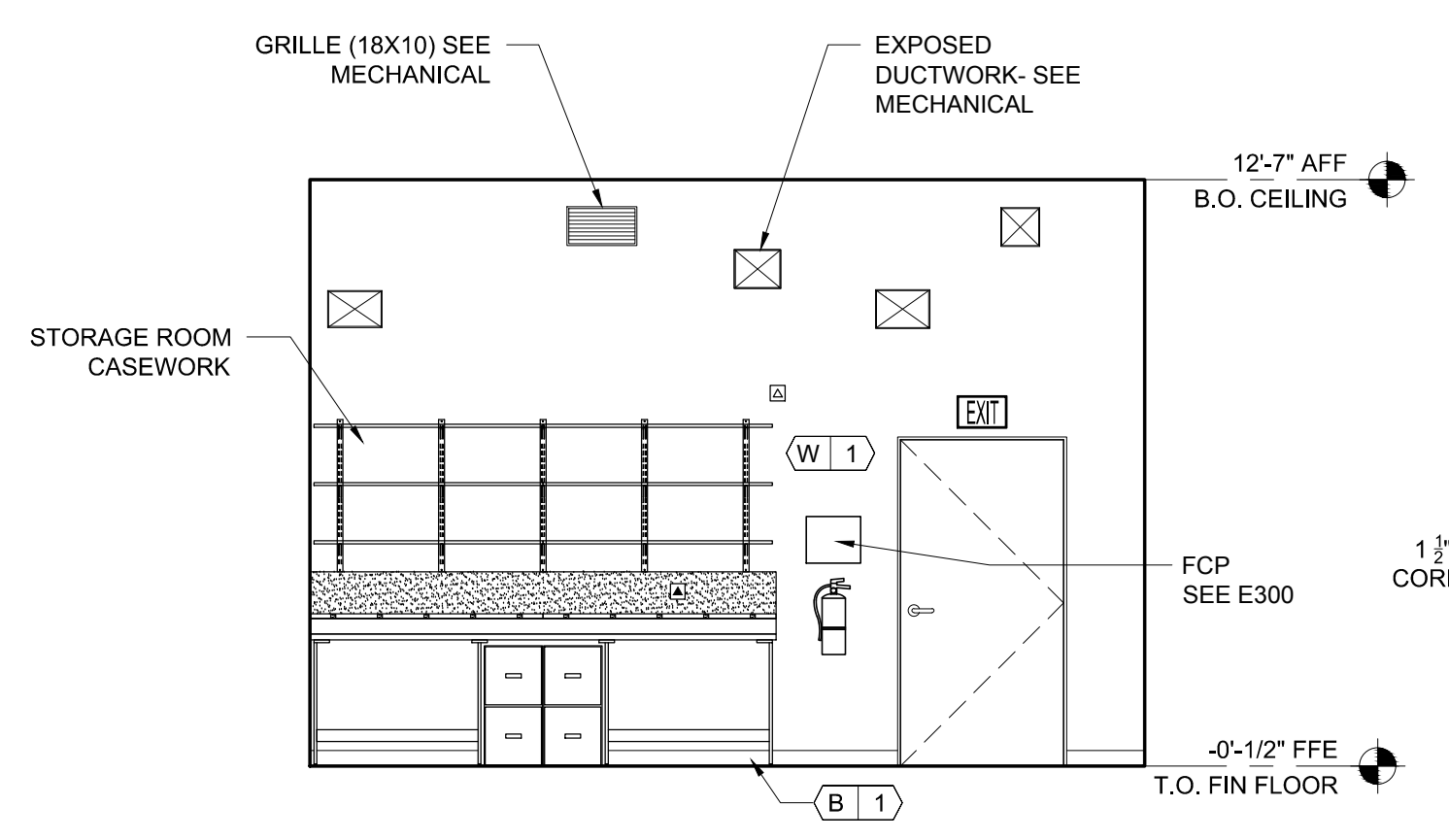
13 INTR ELEV - UPPER STOCKROOM  
A420 SCALE: 1/4" = 1'-0"



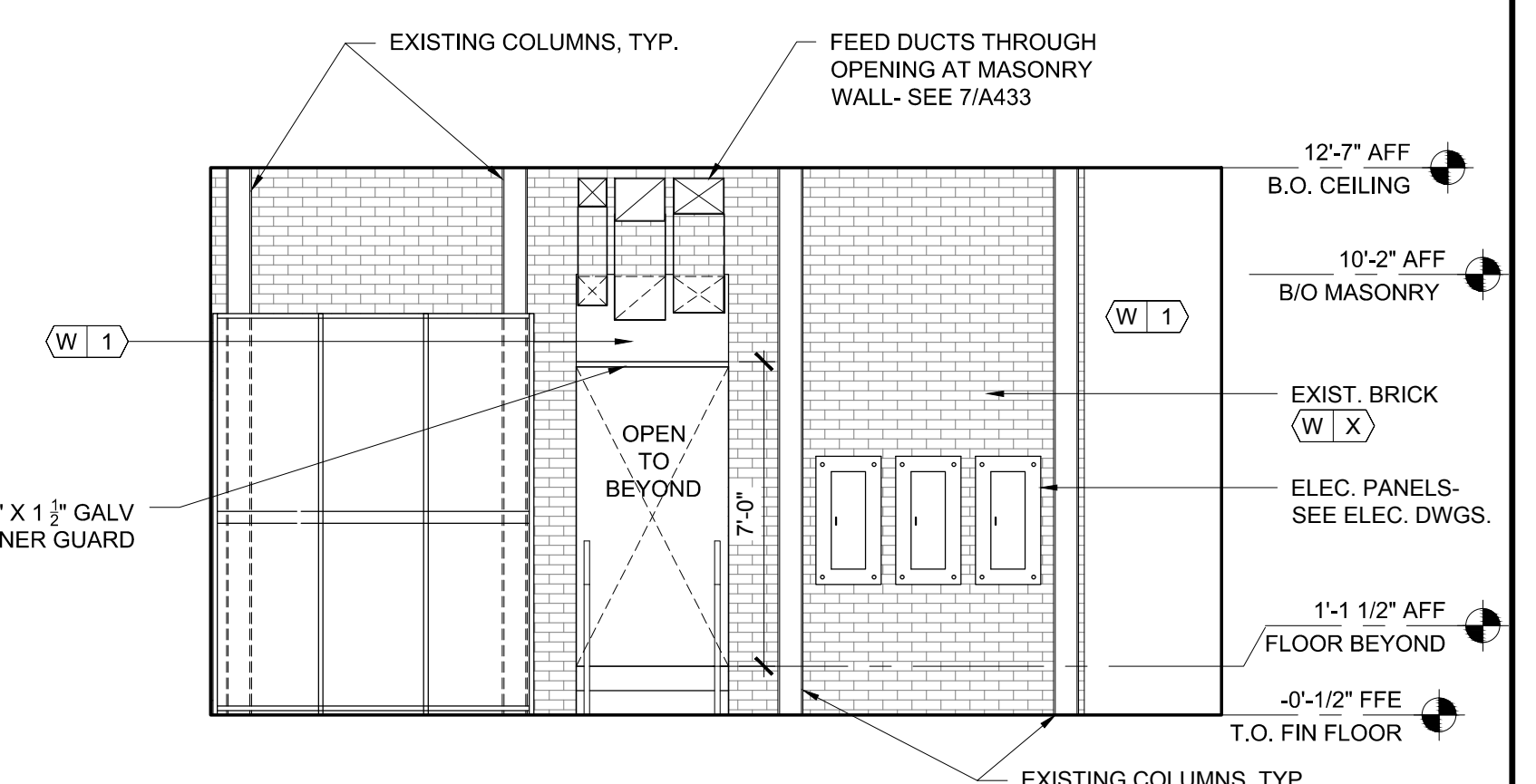
12 INTR ELEV - LOWER STOCKROOM  
A420 SCALE: 1/4" = 1'-0"



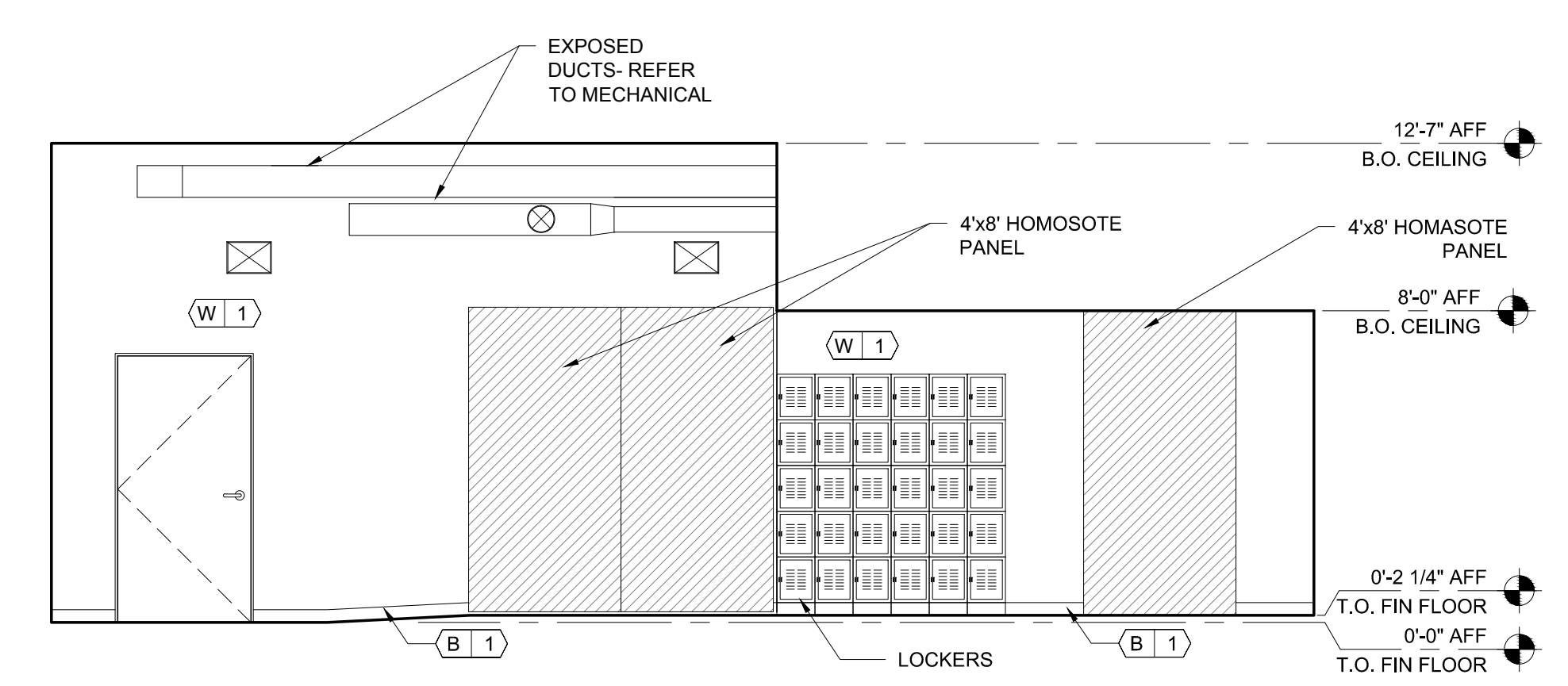
11 INTR ELEV - LOWER STOCKROOM  
A420 SCALE: 1/4" = 1'-0"



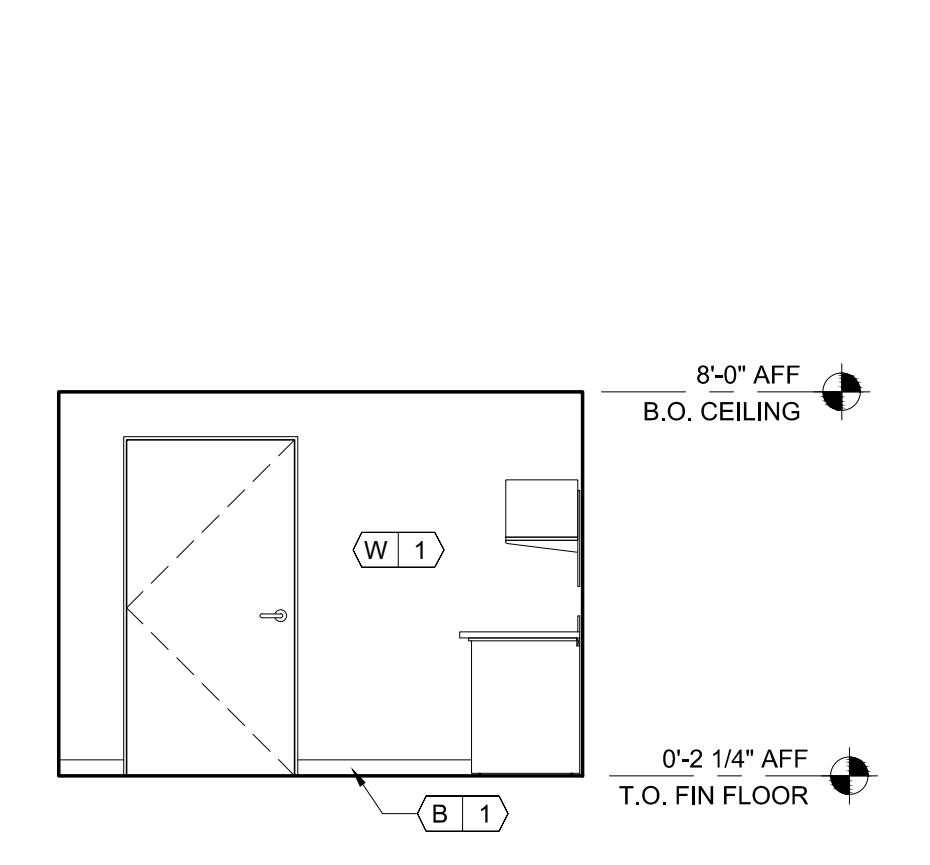
10 INTR ELEV - LOWER STOCKROOM  
A420 SCALE: 1/4" = 1'-0"



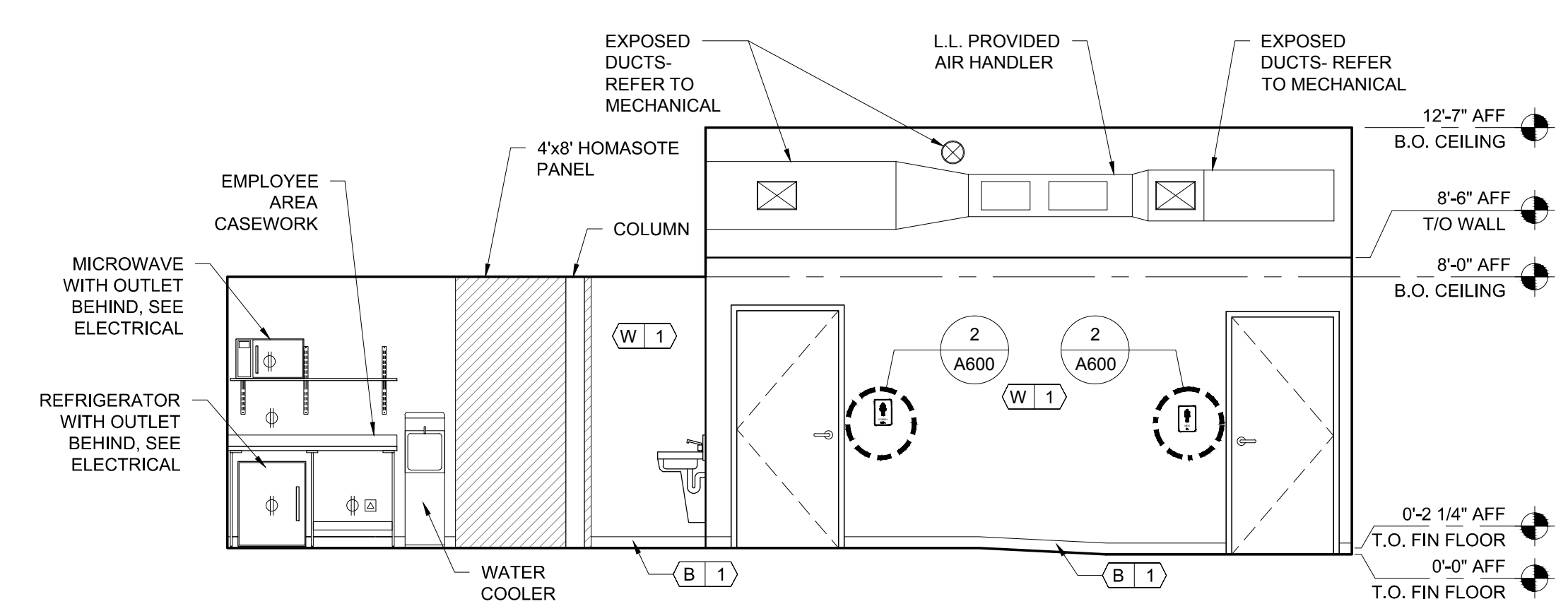
9 INTR ELEV - LOWER STOCKROOM  
A420 SCALE: 1/4" = 1'-0"



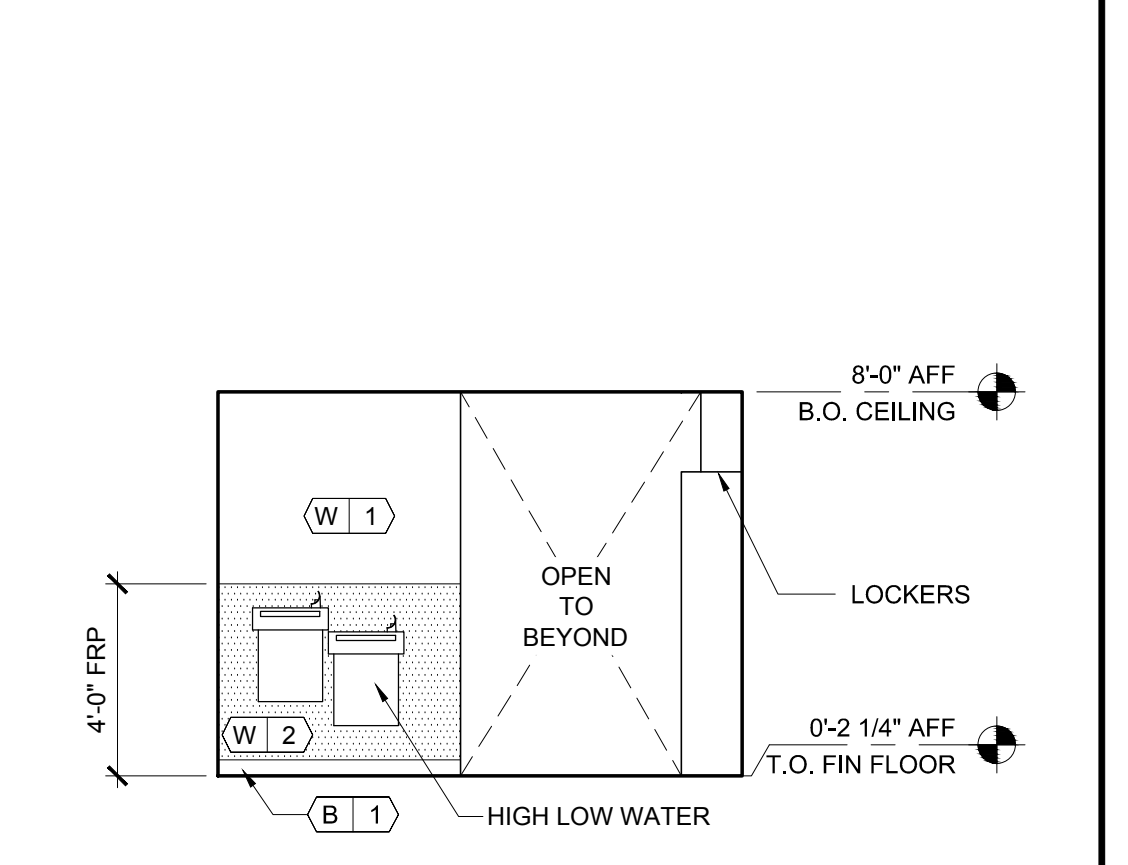
8 INTR ELEV - EMPLOYEE/CORRIDOR  
A420 SCALE: 1/4" = 1'-0"



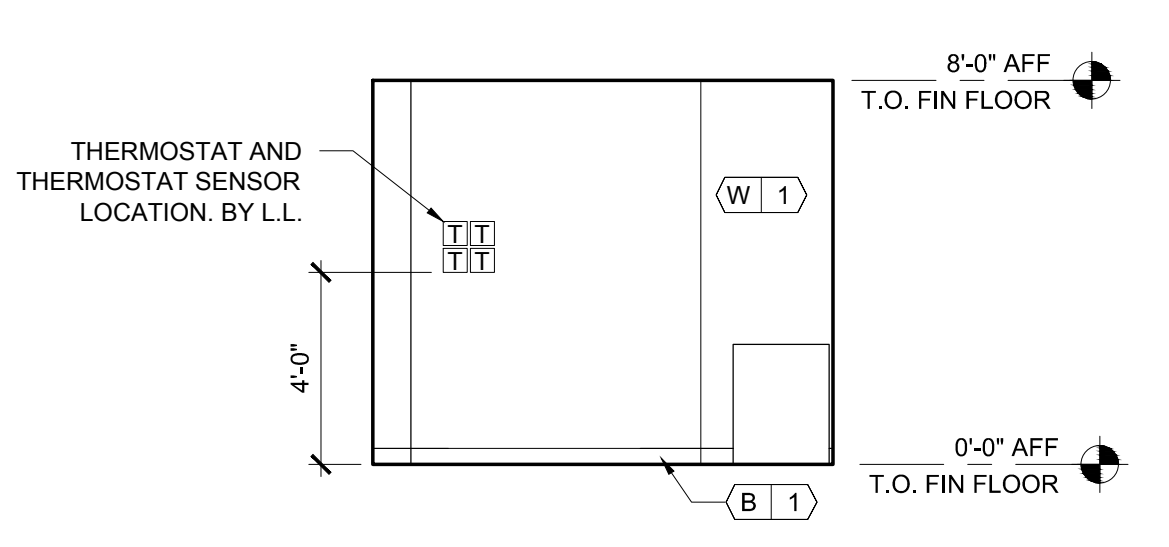
7 INTR ELEV - EMPLOYEE  
A420 SCALE: 1/4" = 1'-0"



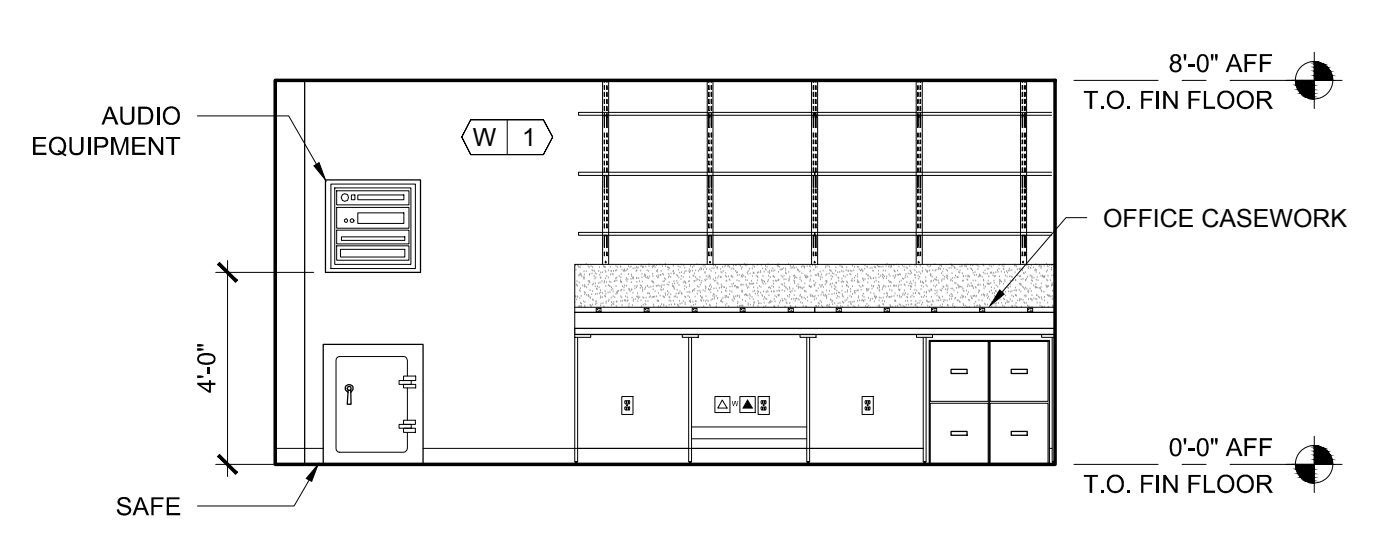
6 INTR ELEV - EMPLOYEE/CORRIDOR  
A420 SCALE: 1/4" = 1'-0"



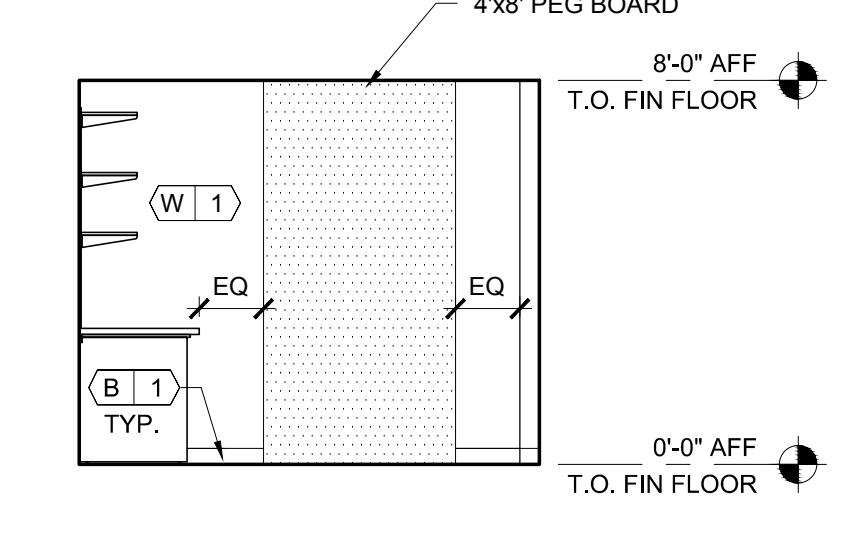
5 INTR ELEV - EMPLOYEE/CORRIDOR  
A420 SCALE: 1/4" = 1'-0"



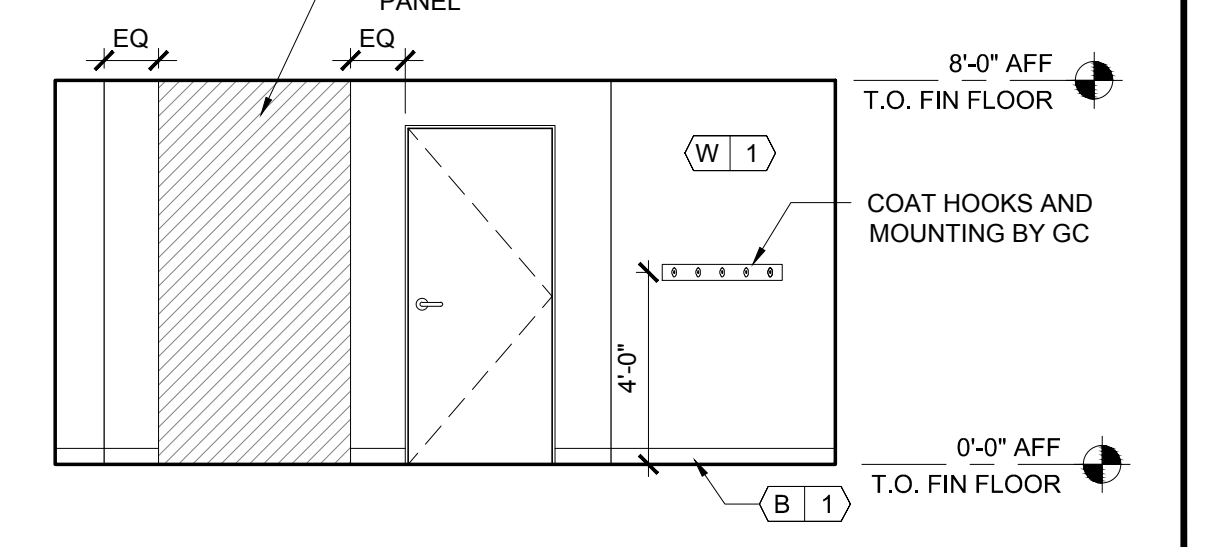
4 INTR ELEV - OFFICE  
A420 SCALE: 1/4" = 1'-0"



3 INTR ELEV - OFFICE  
A420 SCALE: 1/4" = 1'-0"



2 INTR ELEV - OFFICE  
A420 SCALE: 1/4" = 1'-0"



1 INTR ELEV - OFFICE  
A420 SCALE: 1/4" = 1'-0"

DRAWN BY: EW CHECKED BY: SMW  
NSA PROJECT NUMBER: 2013-99  
PROJECT PHASE: CD

ISSUE / DATE:  
100% CHECKSET 07-11-2014  
BID/PERMIT 08-01-2014

REVISION:

SHEET TITLE:  
INTERIOR ELEVATIONS - BACK OF HOUSE

SHEET NO:  
A420