

ARCHITECTS
I hereby certify that this plan, specification, or report was prepared by me or under my direct supervision and that I am a duly Licensed Architect under the laws of the State of Maine.

Print Name: Sean M. Wagner, AIA

Date: 08-01-2014 License #: ARC4112

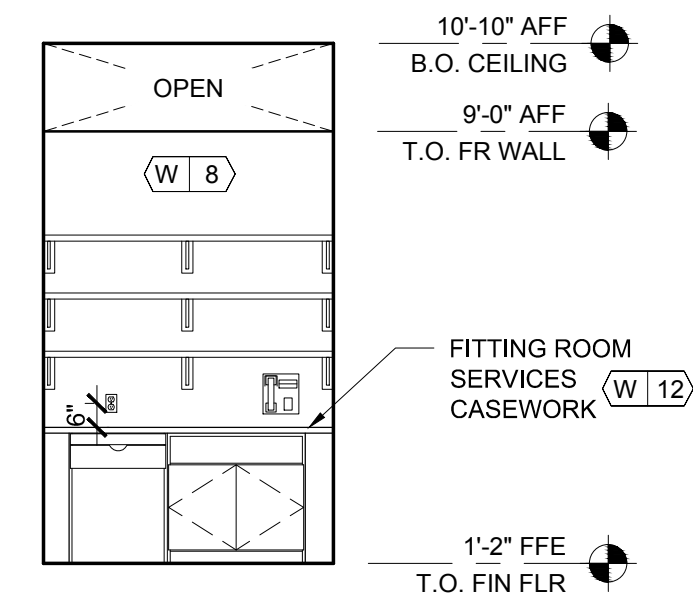
NewStudioArchitecture

4431 Lake Avenue South
White Bear Lake, MN 55110

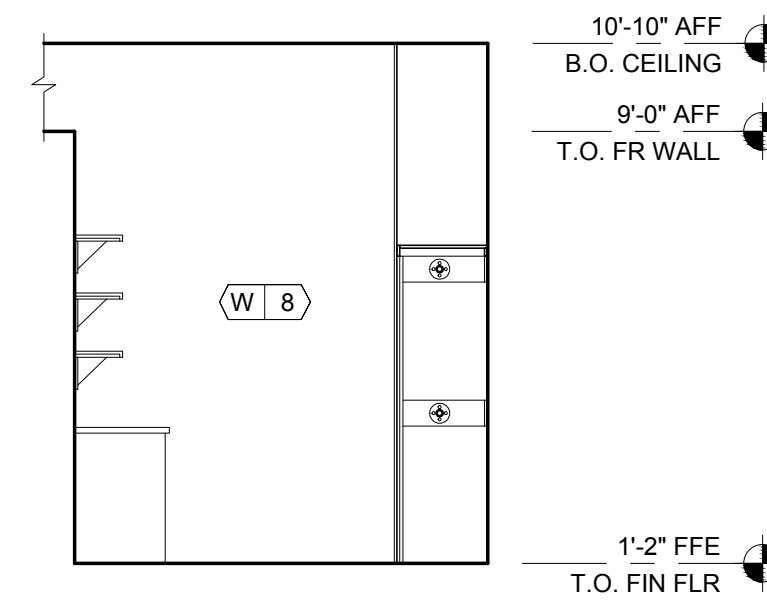
p: 651.207.5527 f: 651.207.8247

ANTHROPOLOGIE

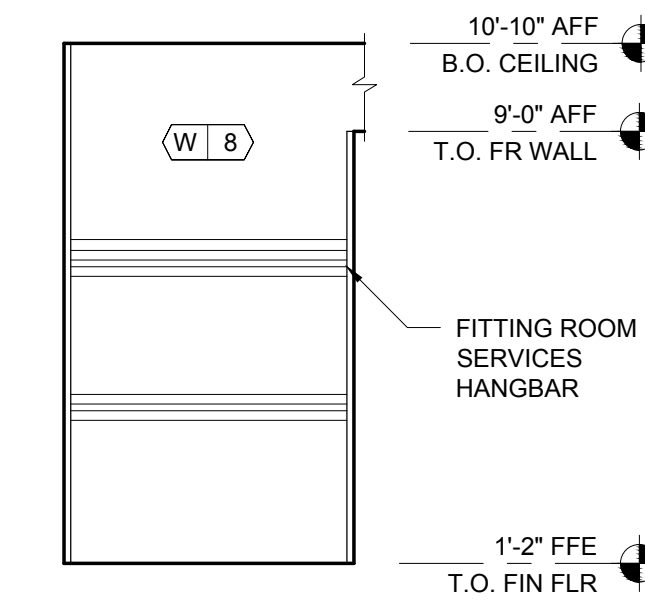
60 Pearl Street
Portland, ME 04101



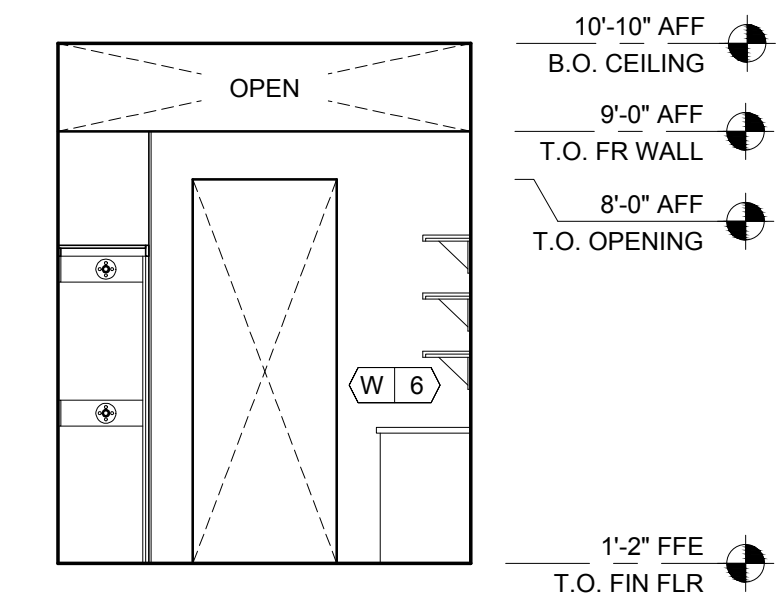
19 FR SERVICES ELEV
A410 SCALE: 1/4" = 1'-0"



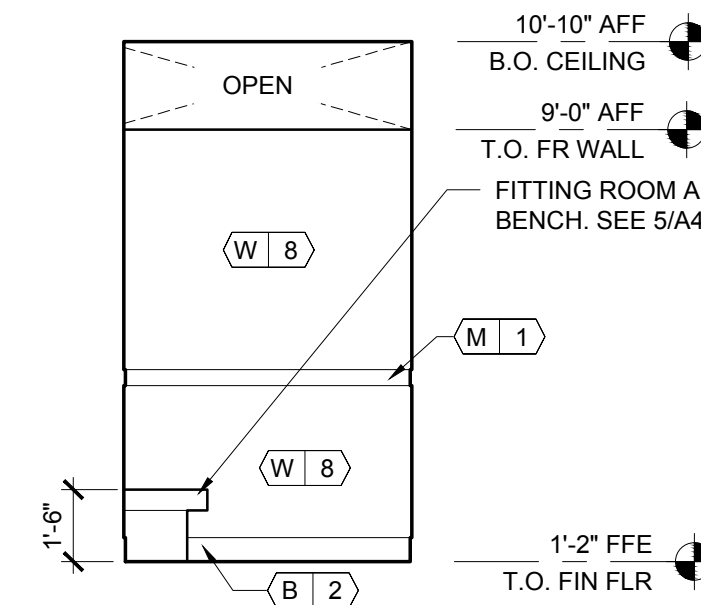
18 FR SERVICES ELEV
A410 SCALE: 1/4" = 1'-0"



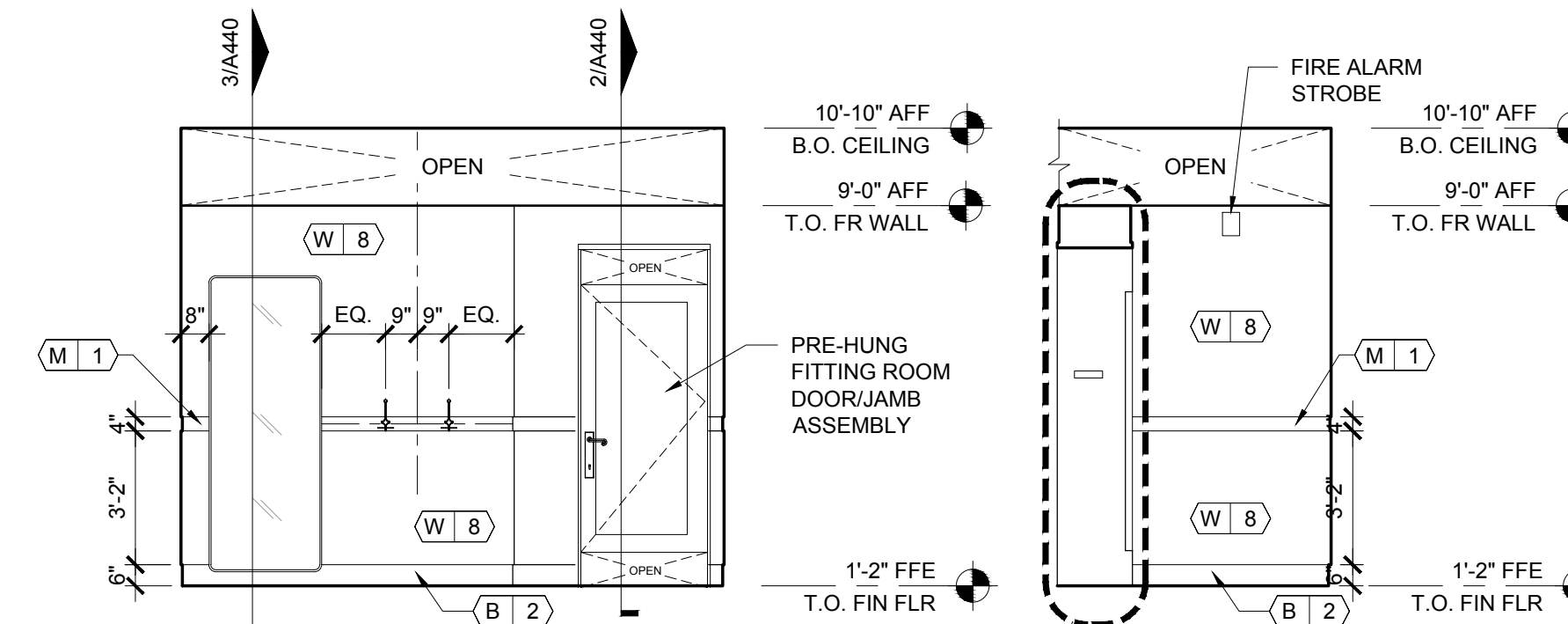
17 FR SERVICES ELEV
A410 SCALE: 1/4" = 1'-0"



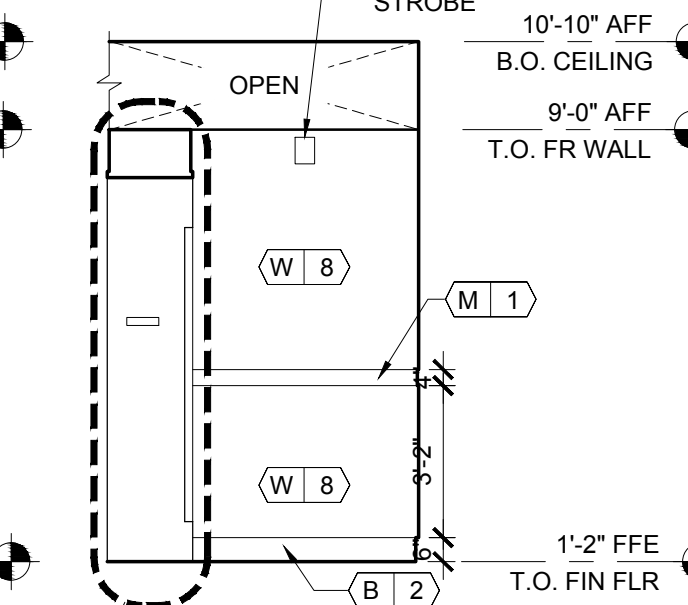
16 FR SERVICES ELEV
A410 SCALE: 1/4" = 1'-0"



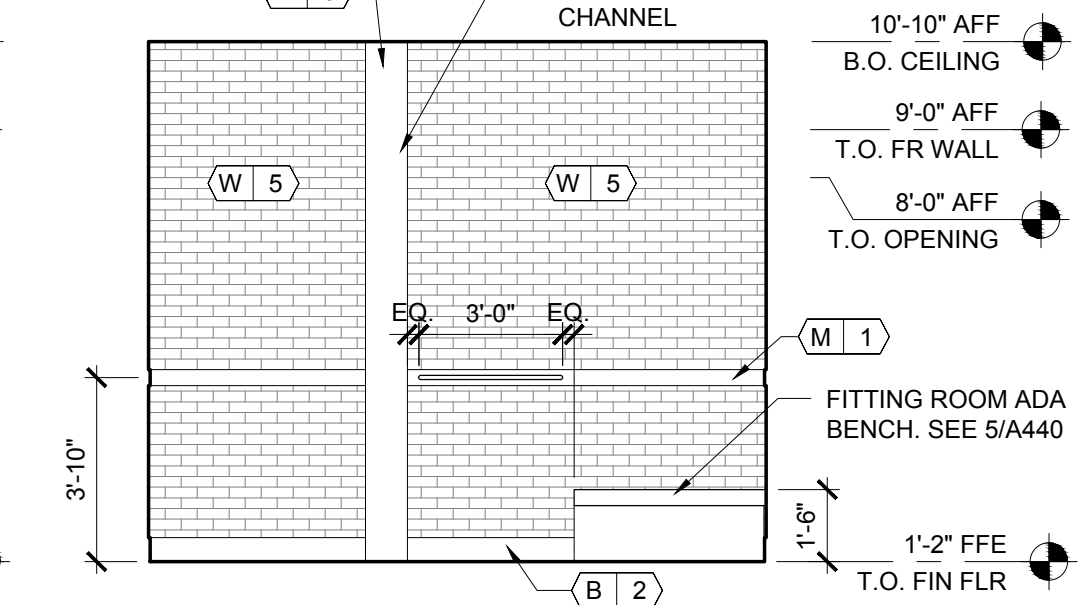
15 ADA FR ELEV.
A410 SCALE: 1/4" = 1'-0"



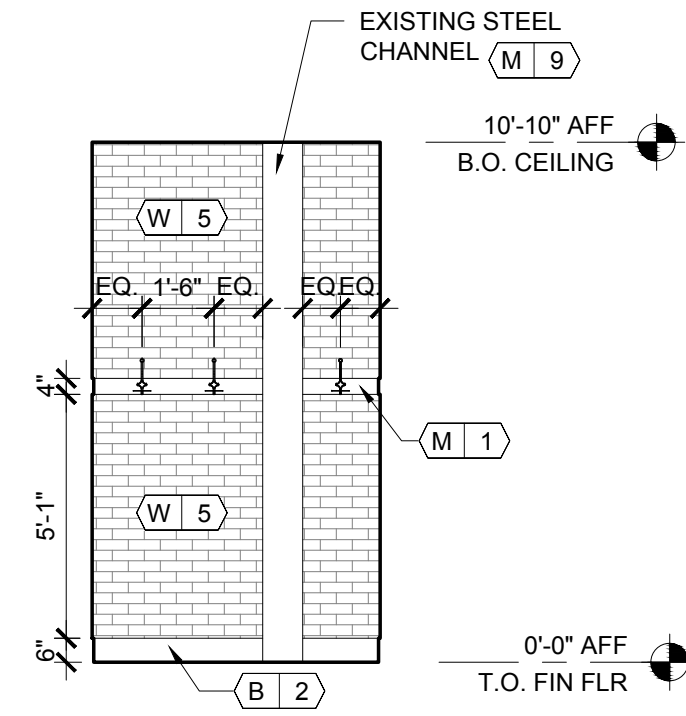
14 ADA FR ELEV.
A410 SCALE: 1/4" = 1'-0"



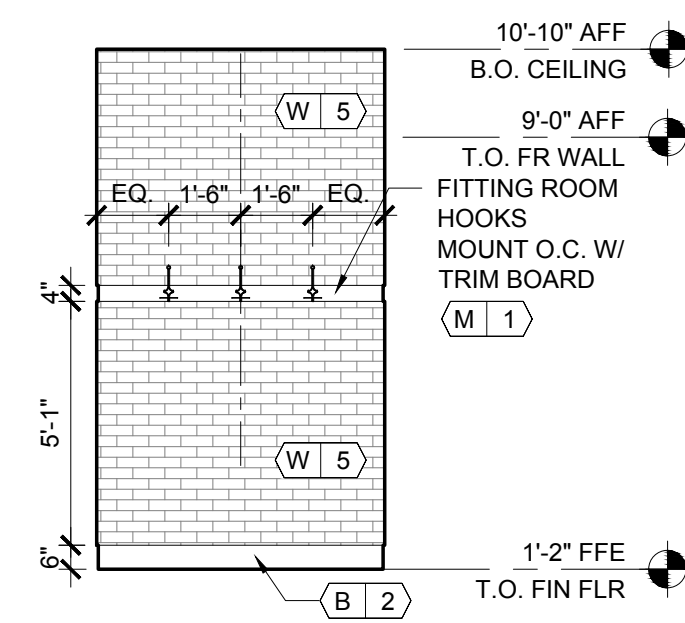
13 ADA FR ELEV.
A410 SCALE: 1/4" = 1'-0"



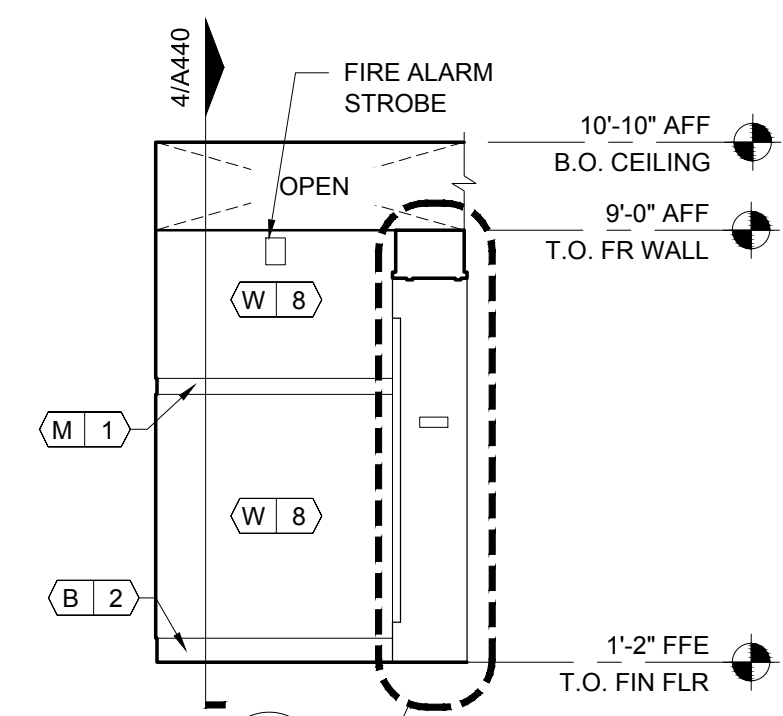
12 ADA FR ELEV.
A410 SCALE: 1/4" = 1'-0"



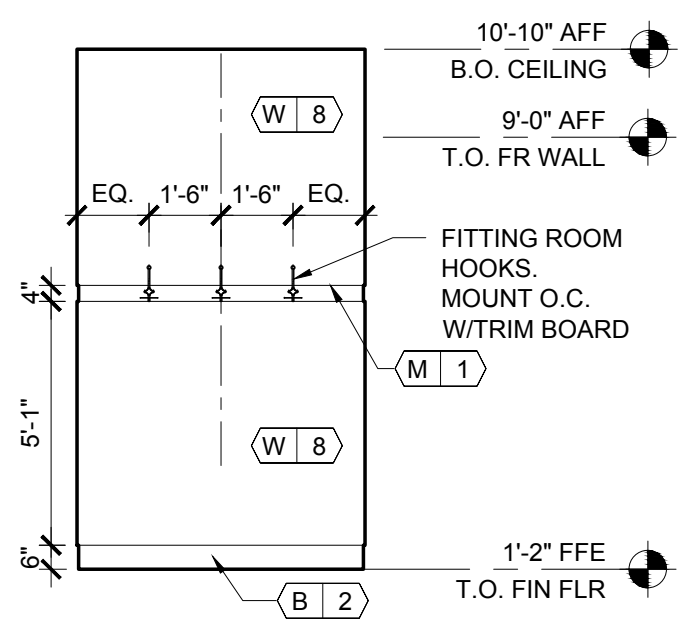
11 FR F ELEV.
A410 SCALE: 1/4" = 1'-0"



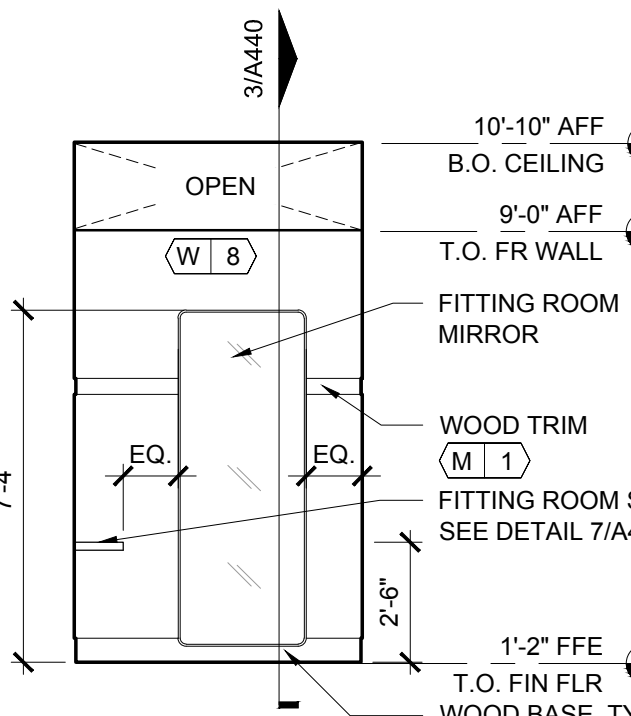
10 FR E ELEV.
A410 SCALE: 1/4" = 1'-0"



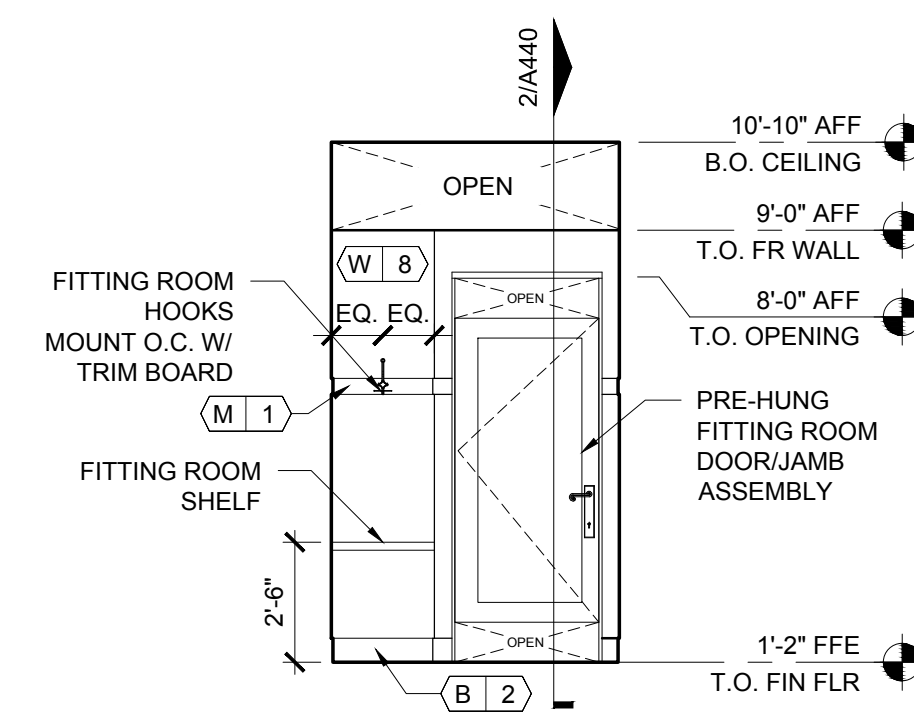
9 TYP. FR ELEV.
A410 SCALE: 1/4" = 1'-0"



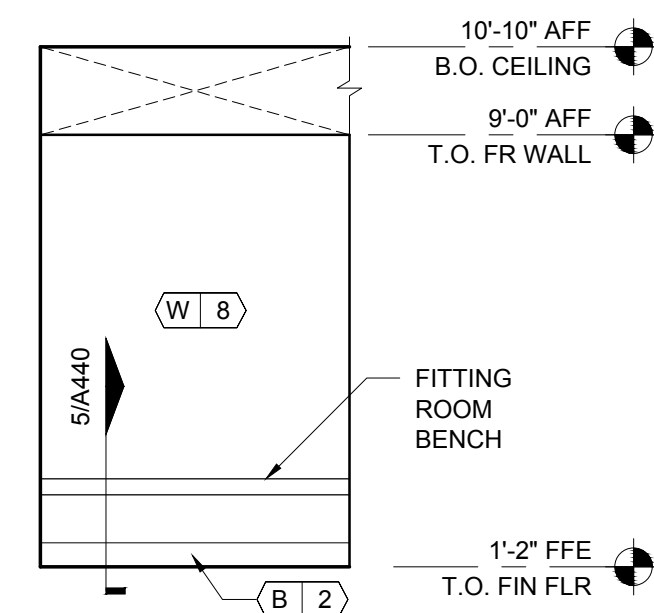
8 TYP. FR ELEV.
A410 SCALE: 1/4" = 1'-0"



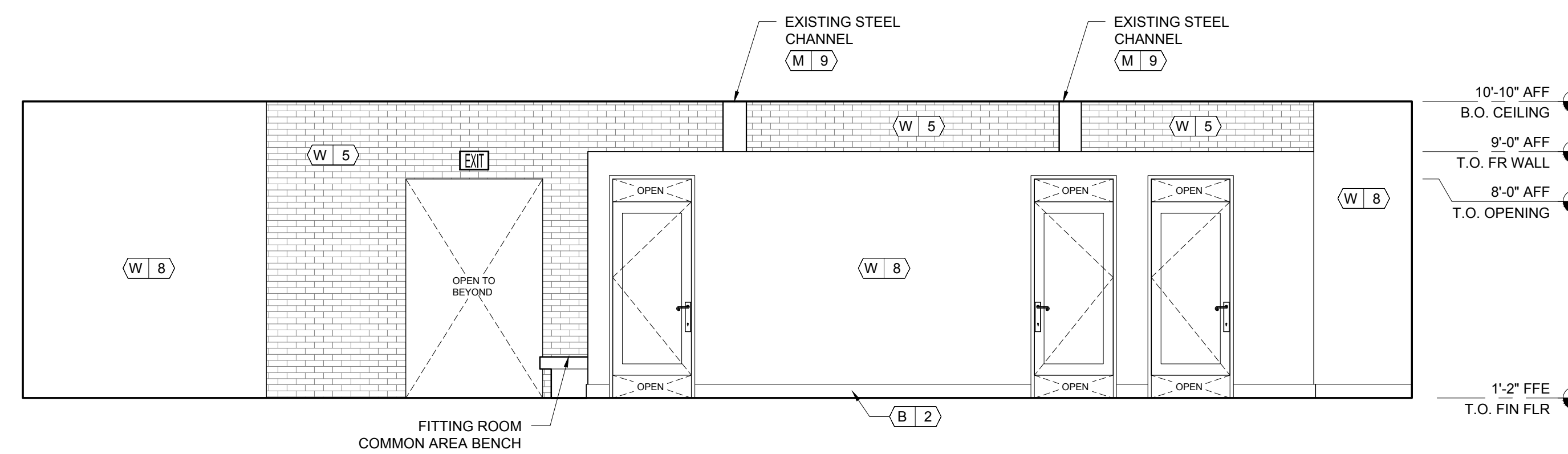
7 TYP. FR ELEV.
A410 SCALE: 1/4" = 1'-0"



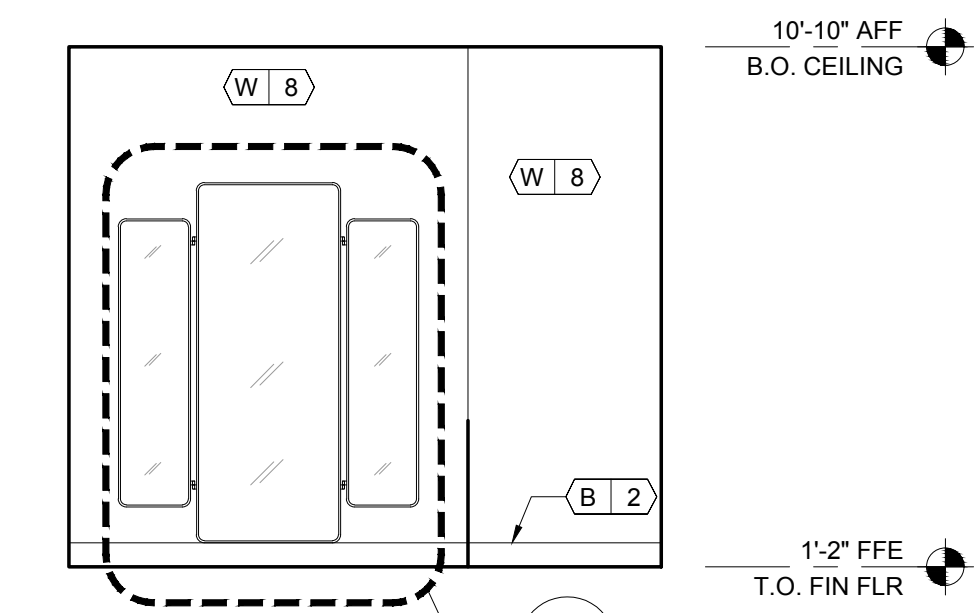
6 TYP. FR ELEV.
A410 SCALE: 1/4" = 1'-0"



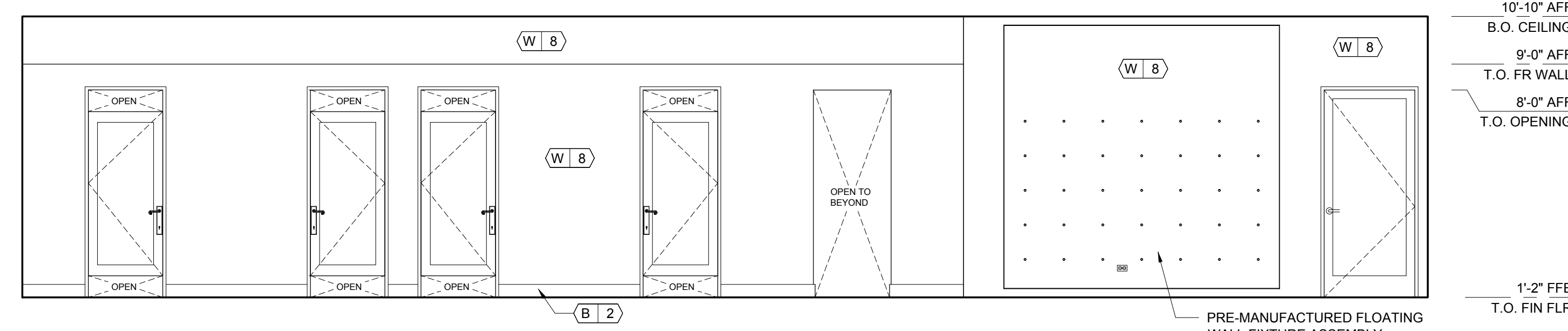
5 FR AREA BENCH
A410 SCALE: 1/4" = 1'-0"



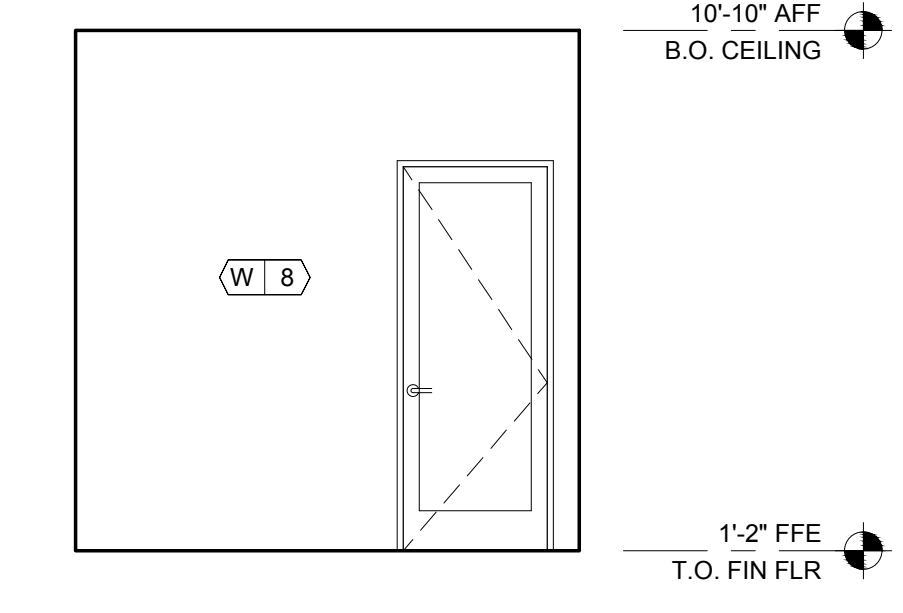
4 INTR ELEV - FR COMMON
A410 SCALE: 1/4" = 1'-0"



3 INTR ELEV - FR COMMON
A410 SCALE: 1/4" = 1'-0"



2 INTR ELEV - FR COMMON
A410 SCALE: 1/4" = 1'-0"



1 INTR ELEV - FR COMMON
A410 SCALE: 1/4" = 1'-0"

DRAWN BY: BH CHECKED BY: SMW

NSA PROJECT NUMBER: 2013-99

PROJECT PHASE: CD

ISSUE / DATE:

100% CHECKSET 07-11-2014

BID/PERMIT 08-01-2014

REVISION:

SHEET TITLE:
INTERIOR
ELEVATIONS -
FITTING ROOMS

SHEET NO:

A410