

ARCHITECTS
I hereby certify that this plan, specification, or report was prepared by me or under my direct supervision and that I am a duly Licensed Architect under the laws of the State of Maine.

Print Name: Sean M. Wagner, AIA

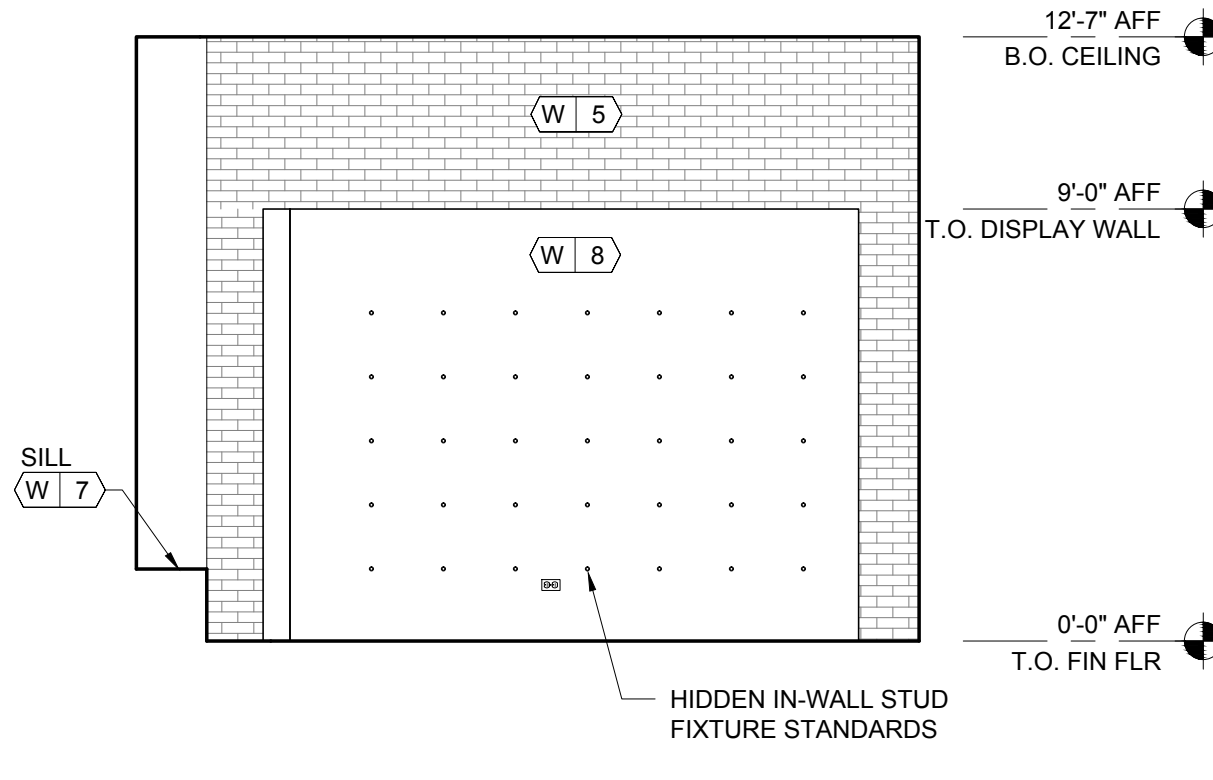
Date: 08-01-2014 License #: ARC4112

NewStudioArchitecture
4431 Lake Avenue South
White Bear Lake, MN 55110

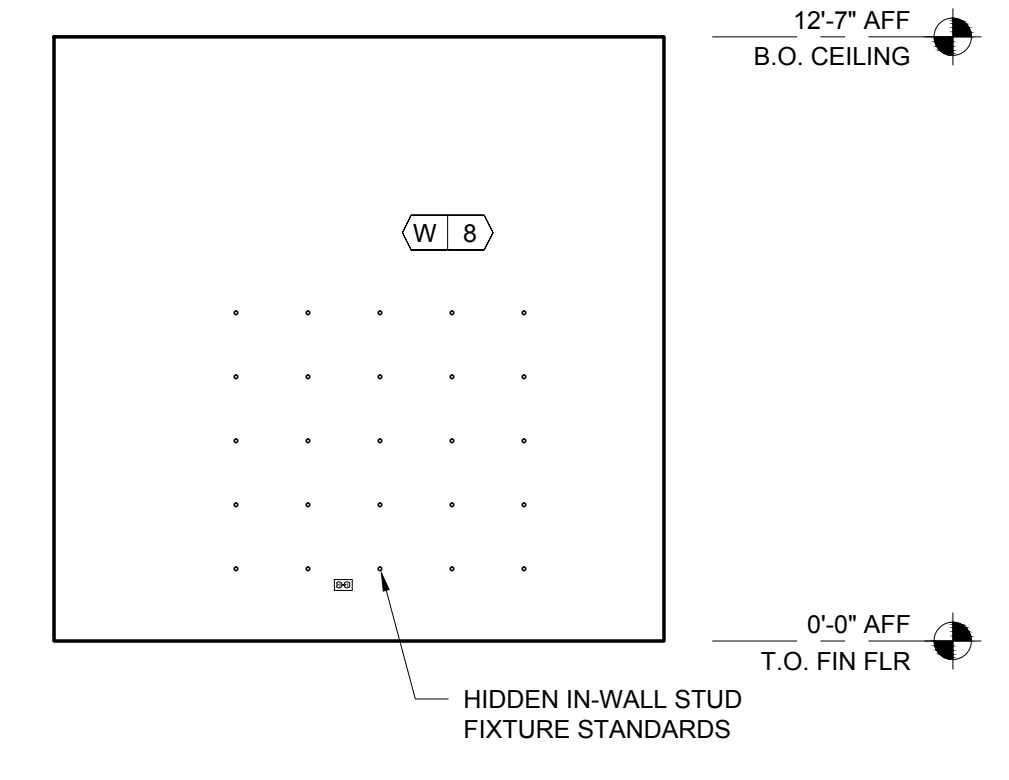
p: 651.207.5527 f: 651.207.8247

ANTHROPOLOGIE

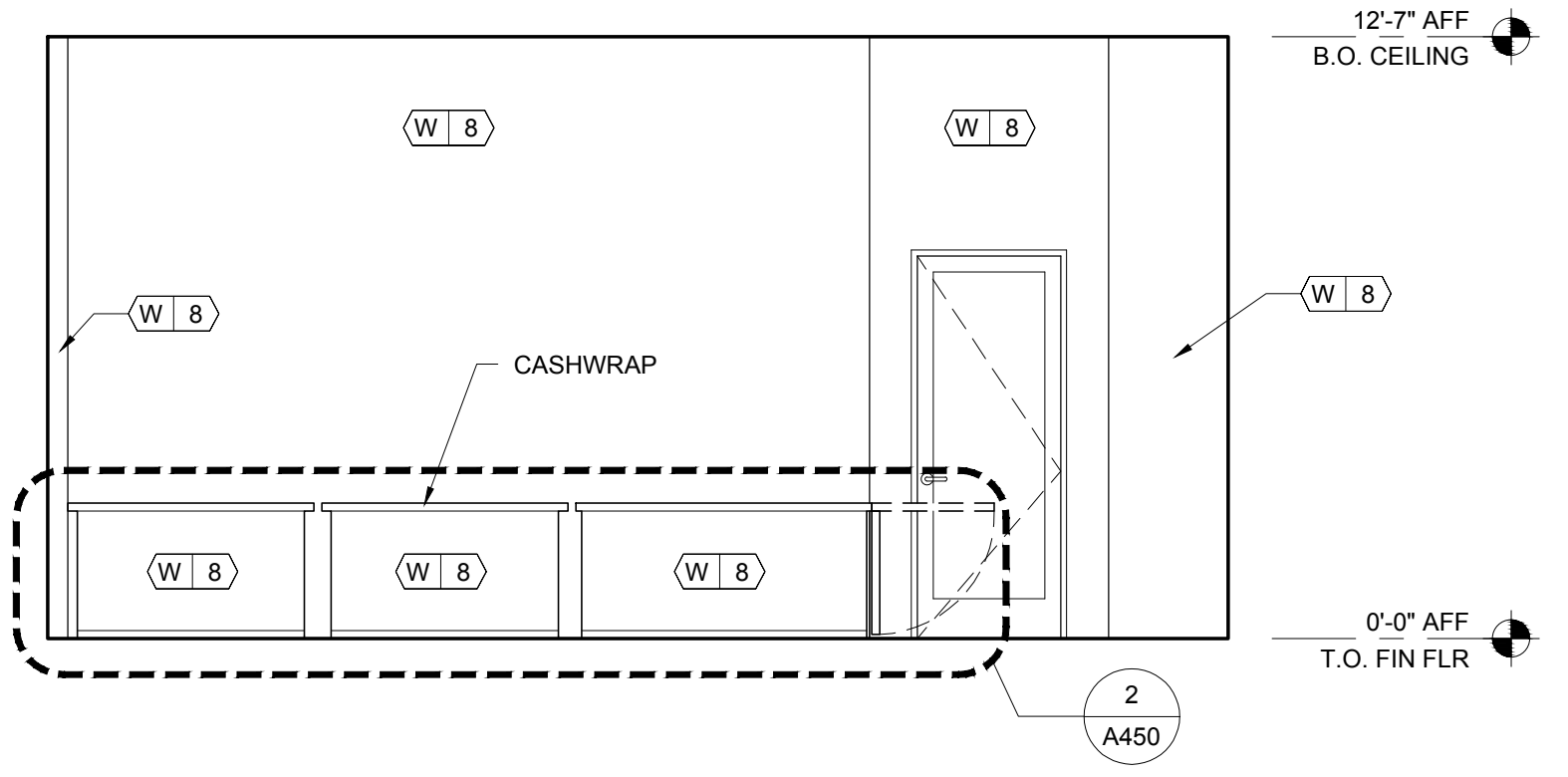
60 Pearl Street
Portland, ME 04101



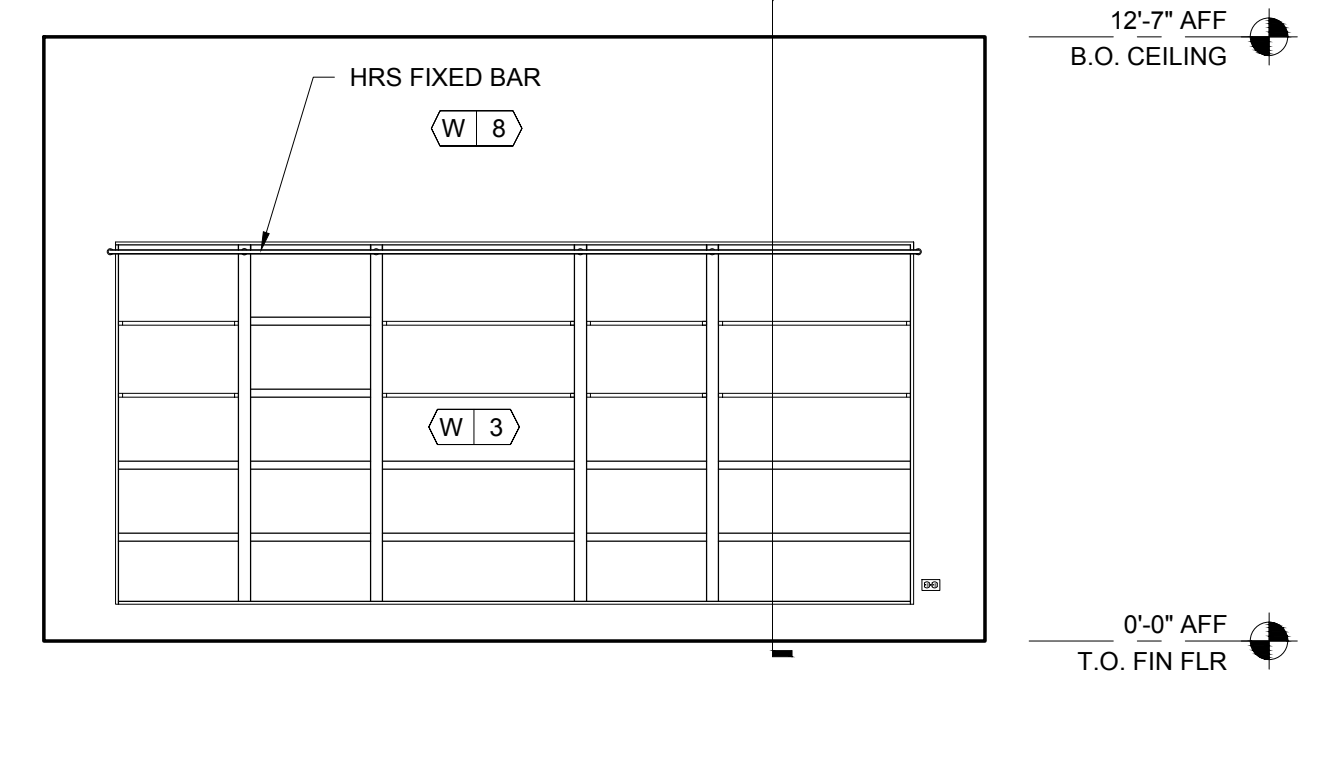
24 INTR ELEV - SALES
A400 SCALE: 1/4" = 1'-0"



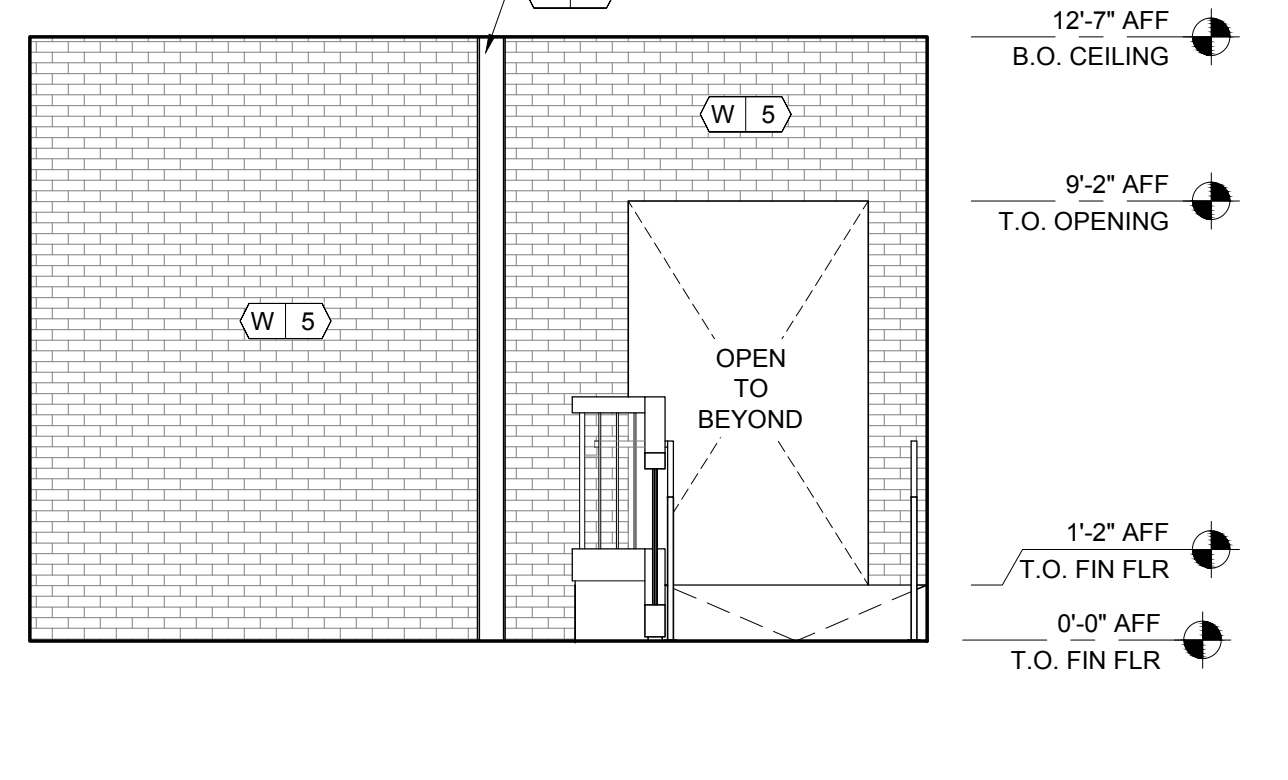
23 INTR ELEV - SALES
A400 SCALE: 1/4" = 1'-0"



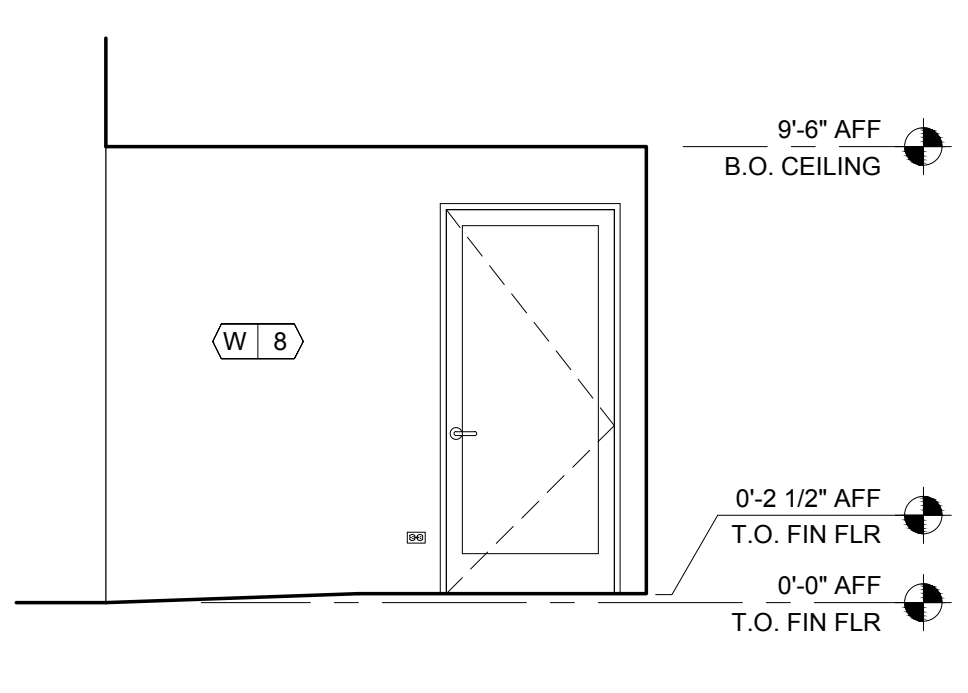
22 INTR ELEV - SALES
A400 SCALE: 1/4" = 1'-0"



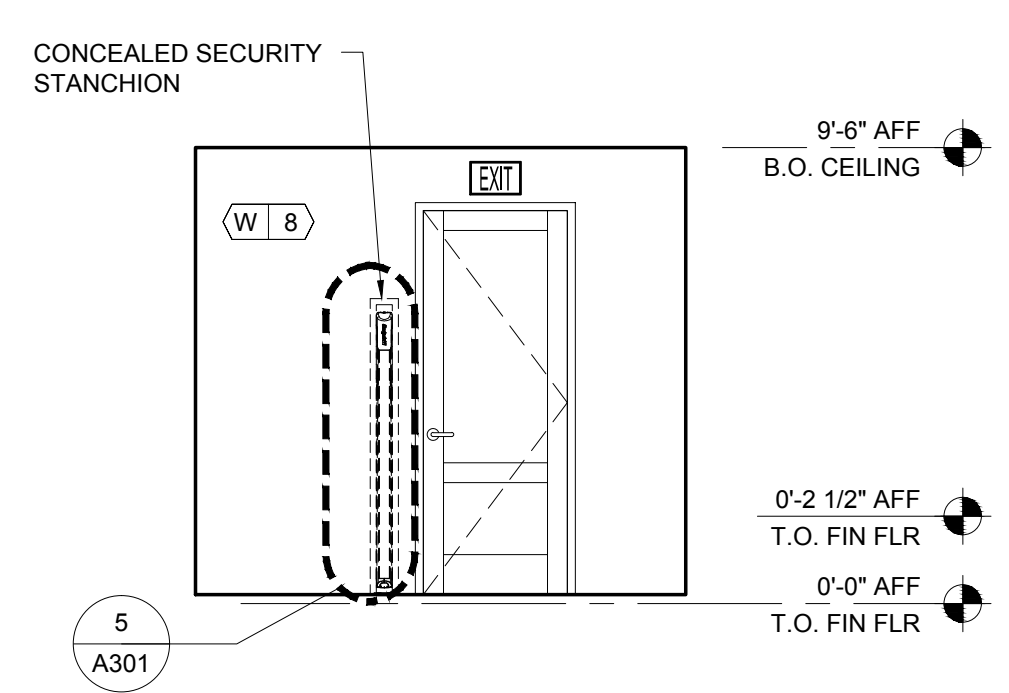
21 INTR ELEV - SALES
A400 SCALE: 1/4" = 1'-0"



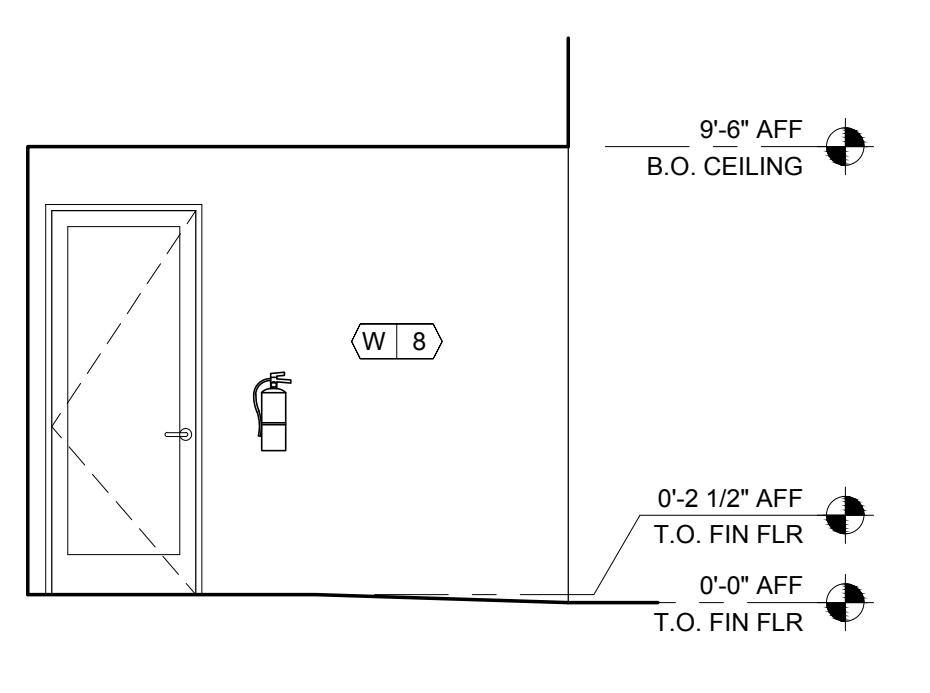
20 INTR ELEV - SALES
A400 SCALE: 1/4" = 1'-0"



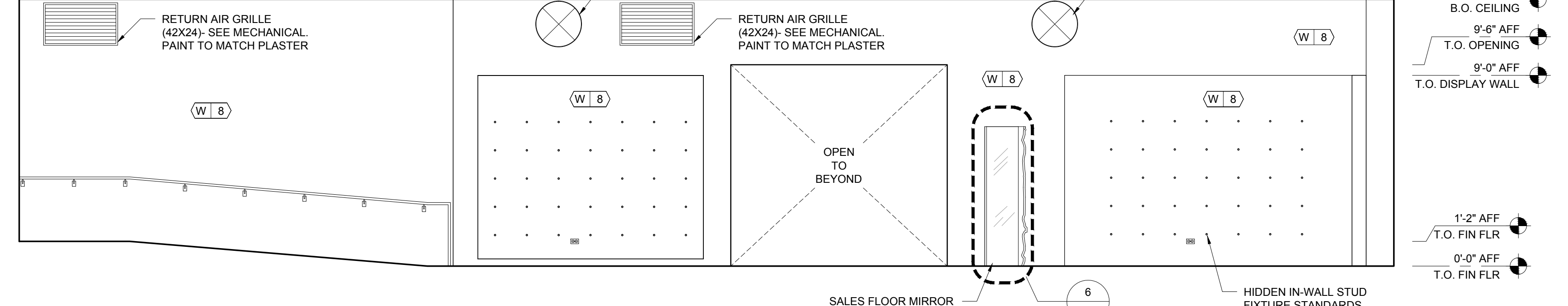
19 INTR ELEV - HALL
A400 SCALE: 1/4" = 1'-0"



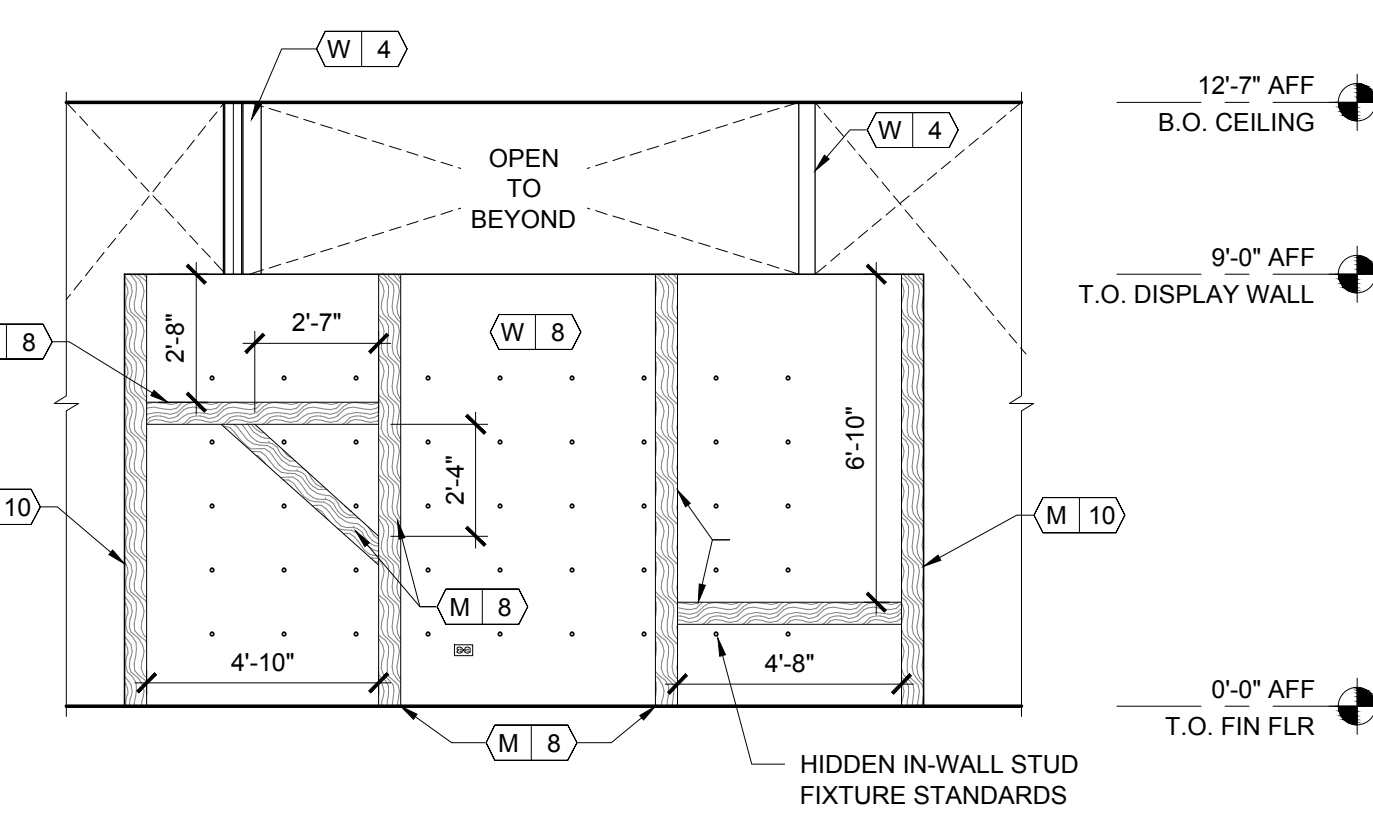
18 INTR ELEV - HALL
A400 SCALE: 1/4" = 1'-0"



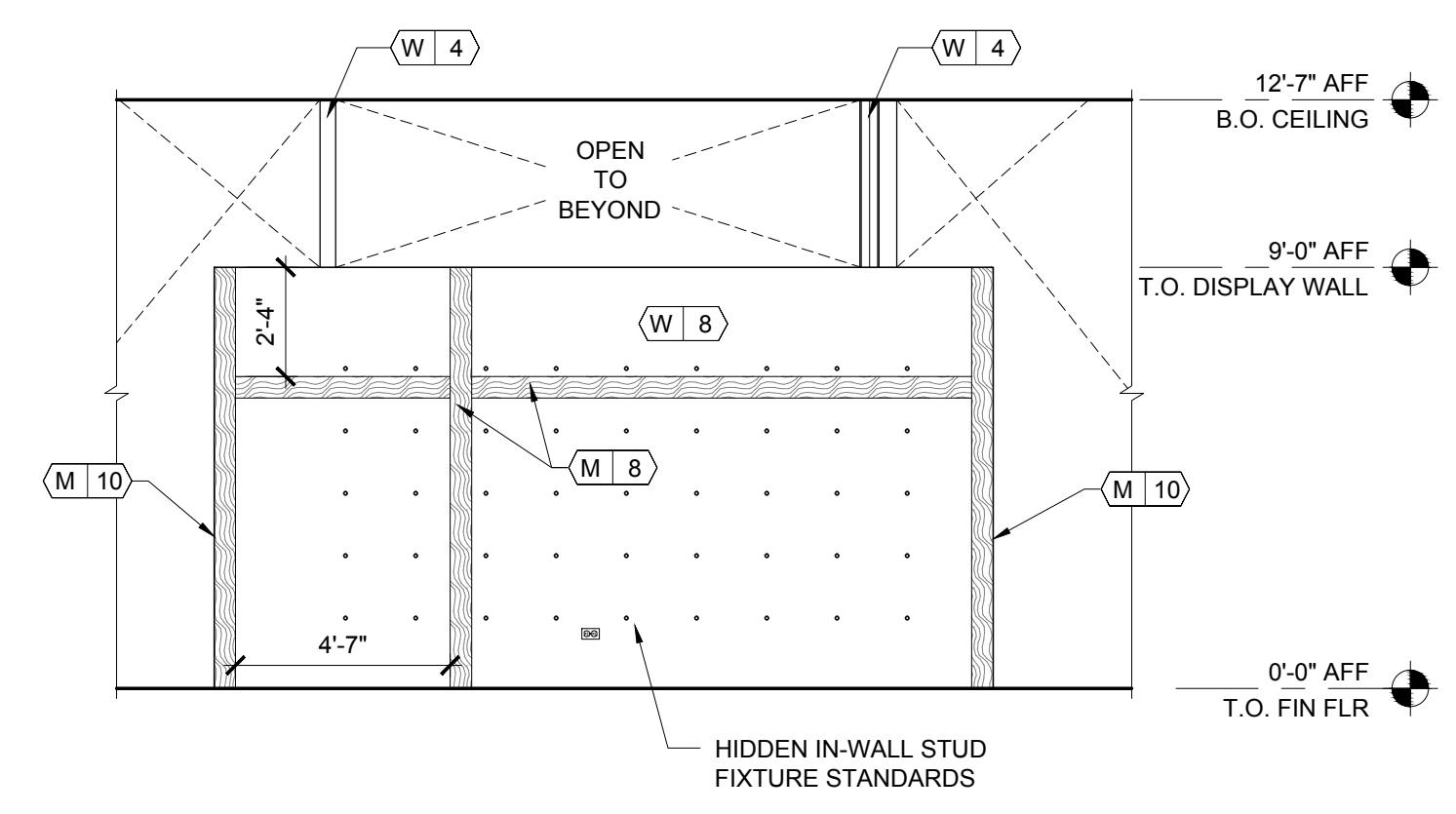
17 INTR ELEV - HALL
A400 SCALE: 1/4" = 1'-0"



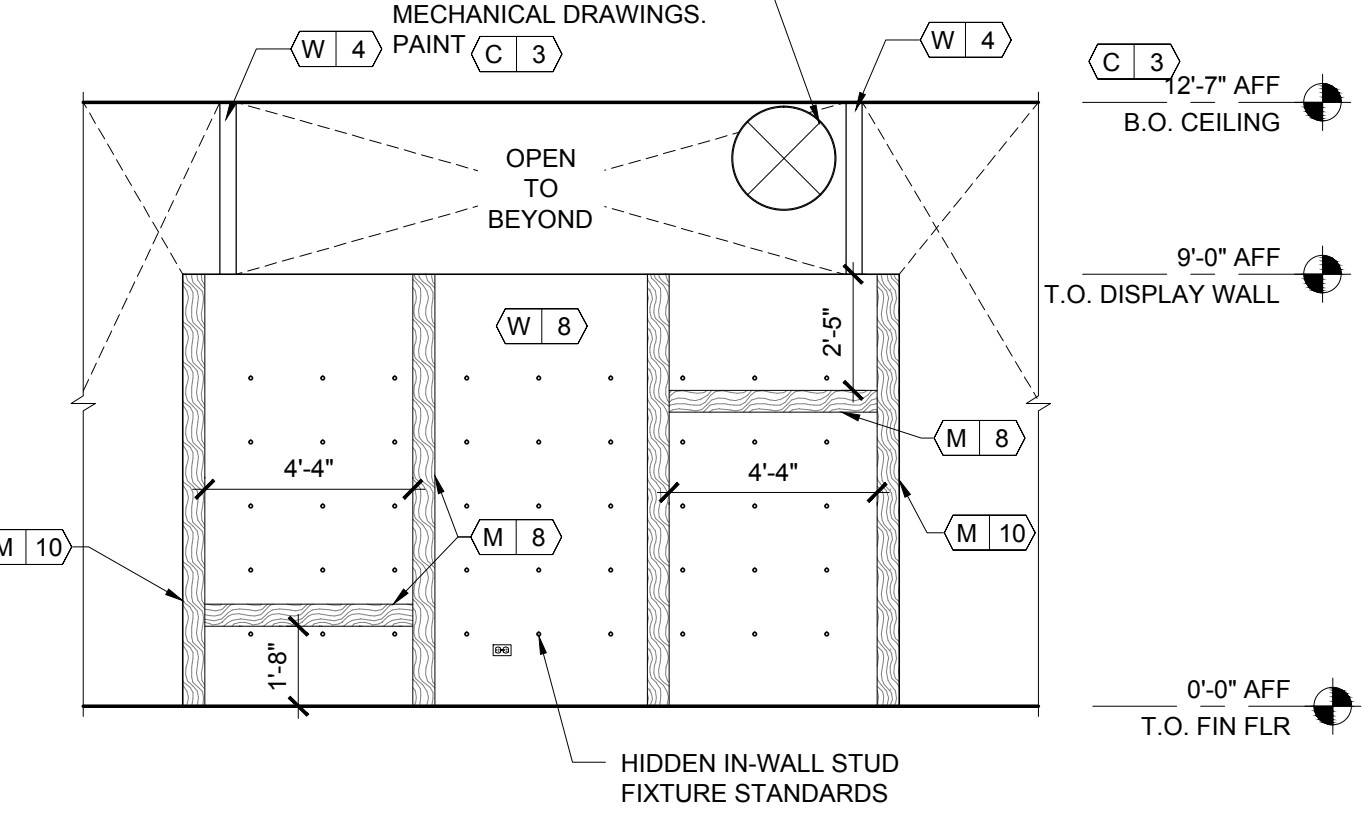
16 INTR ELEV - SALES
A400 SCALE: 1/4" = 1'-0"



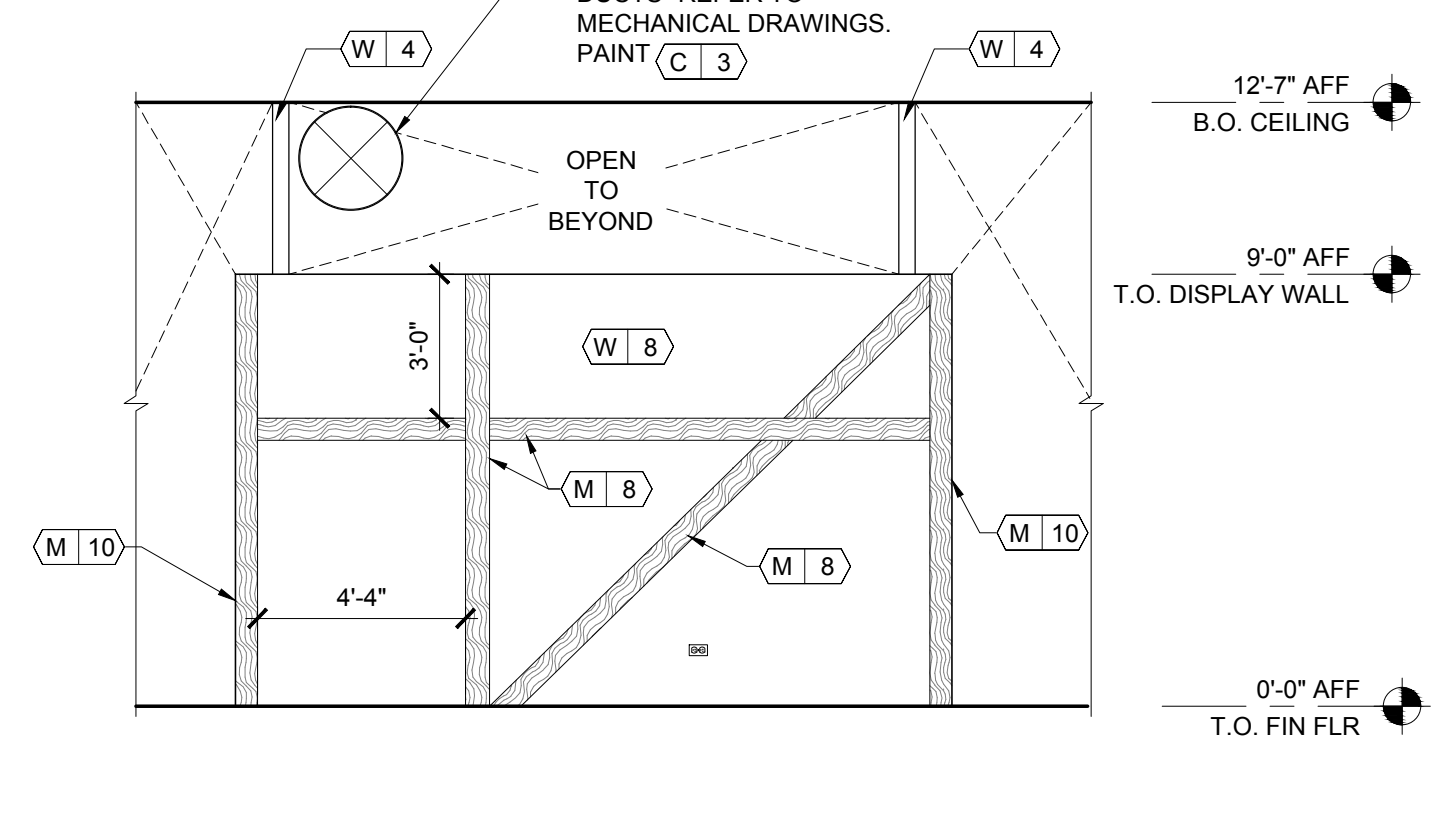
15 INTR ELEV - SALES
A400 SCALE: 1/4" = 1'-0"



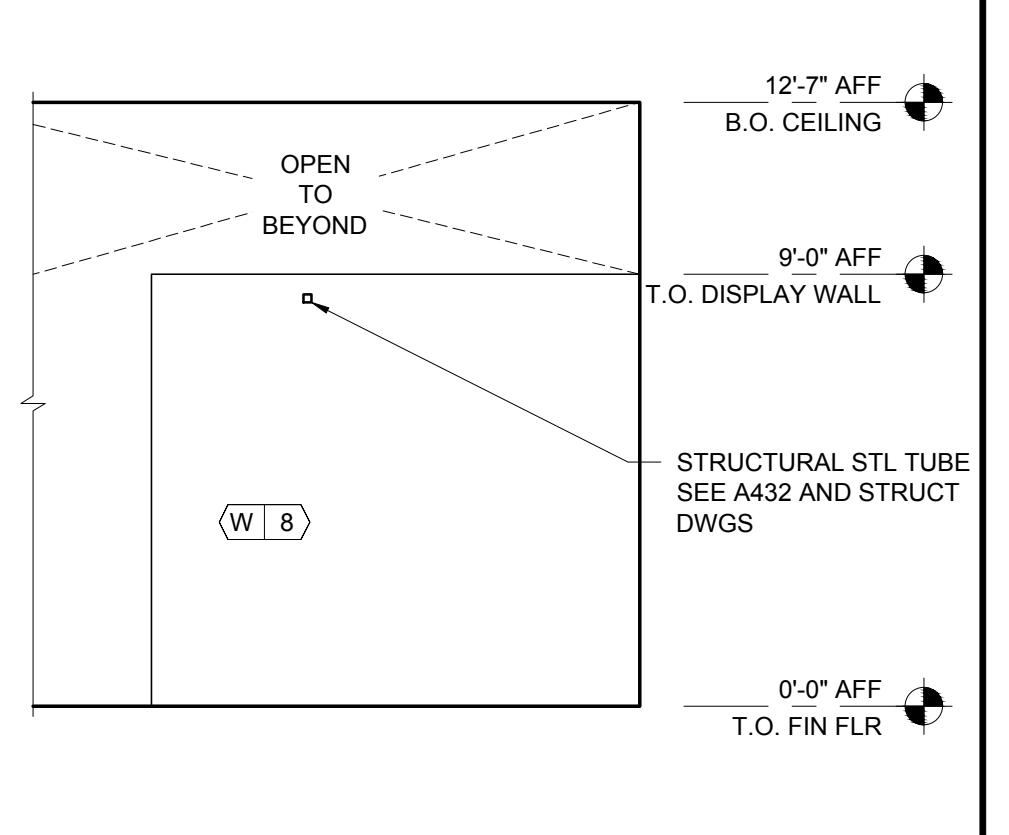
14 INTR ELEV - SALES
A400 SCALE: 1/4" = 1'-0"



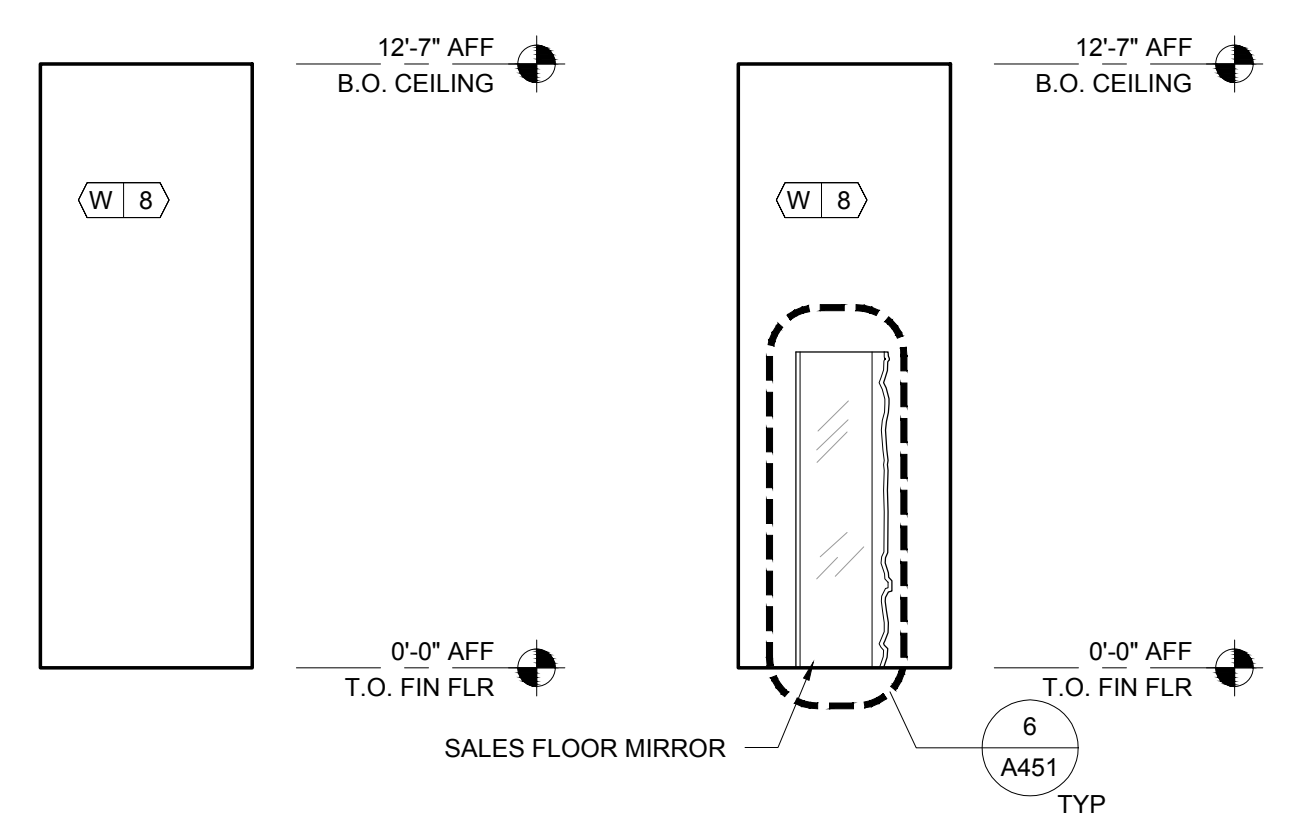
13 INTR ELEV - SALES
A400 SCALE: 1/4" = 1'-0"



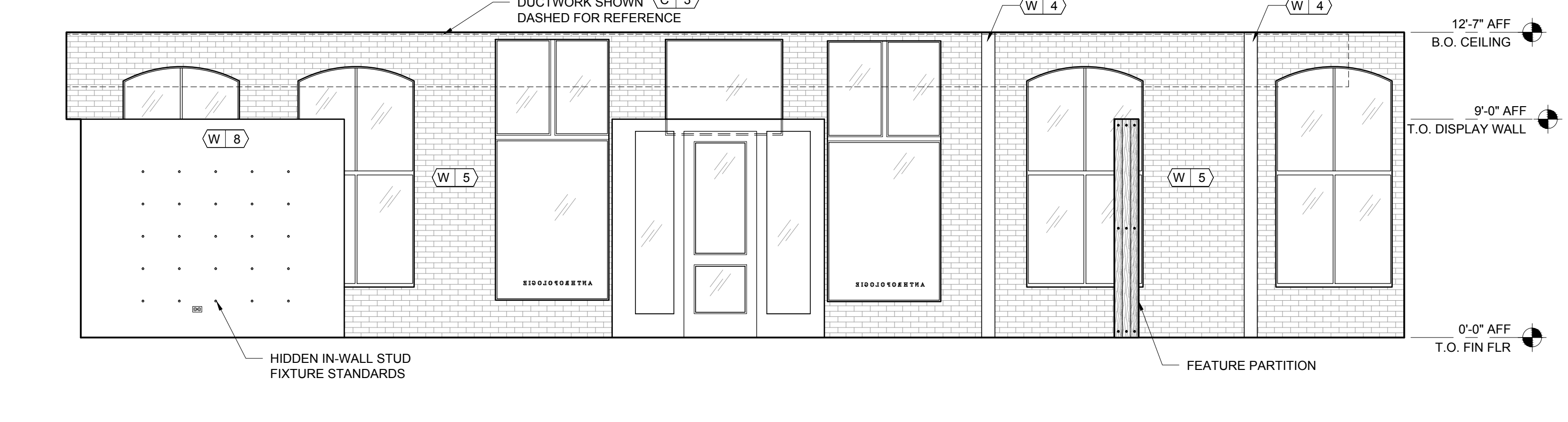
12 INTR ELEV - SALES
A400 SCALE: 1/4" = 1'-0"



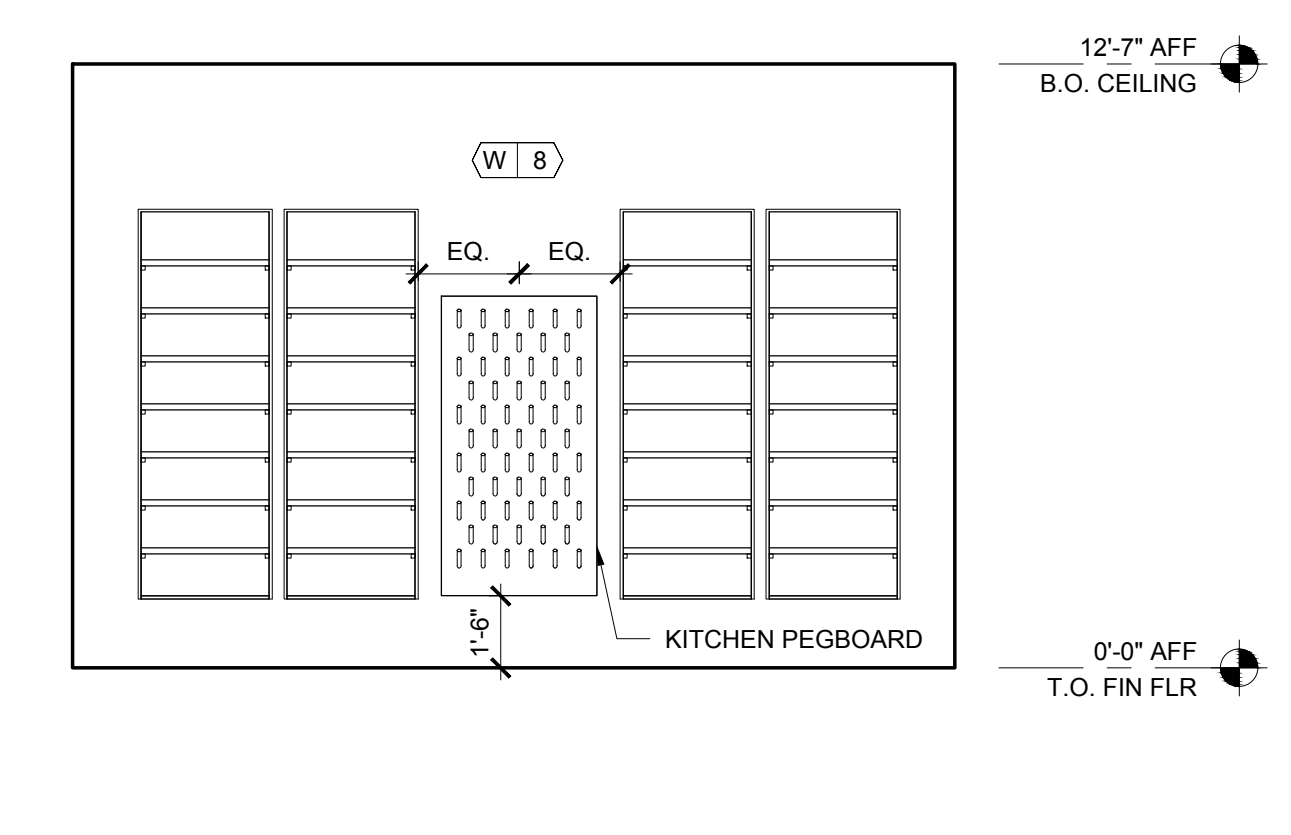
11 INTR ELEV - WINDOW DISPLAY
A400 SCALE: 1/4" = 1'-0"



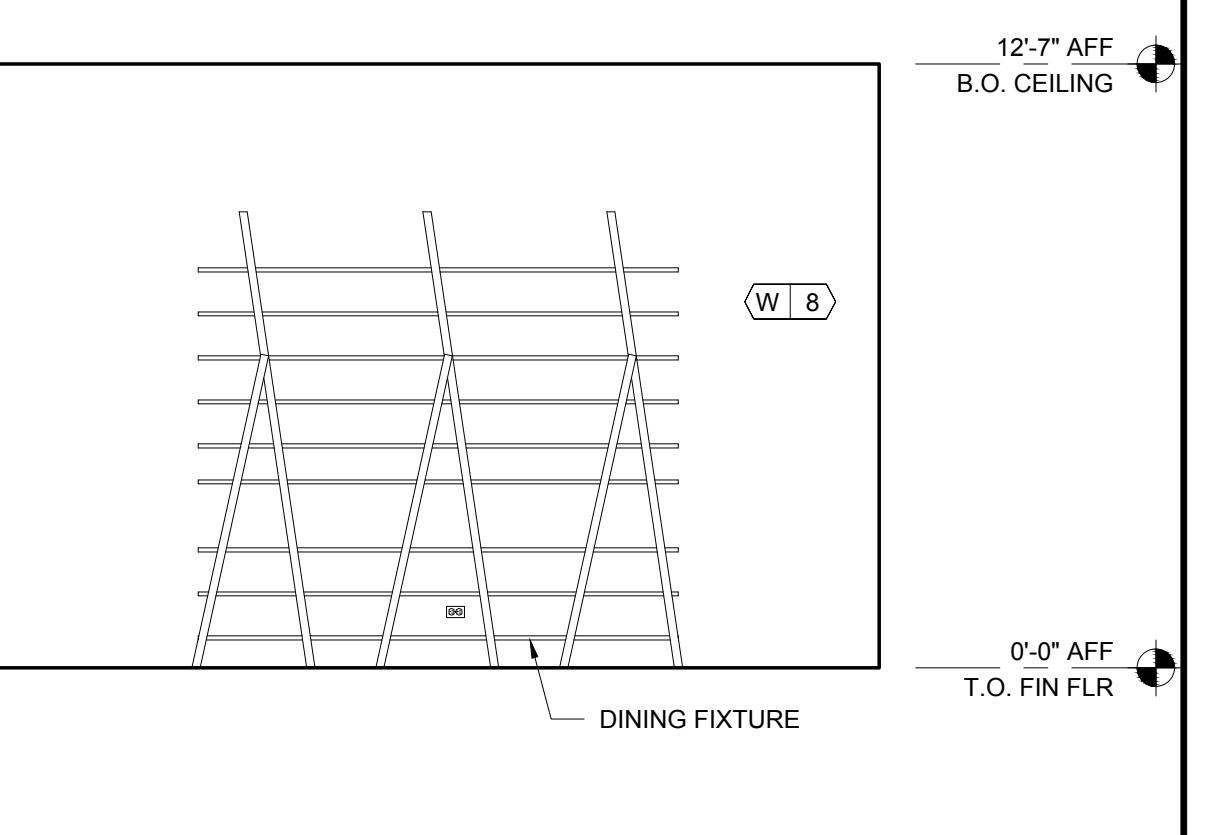
10 INTR ELEV - SALES
A400 SCALE: 1/4" = 1'-0"



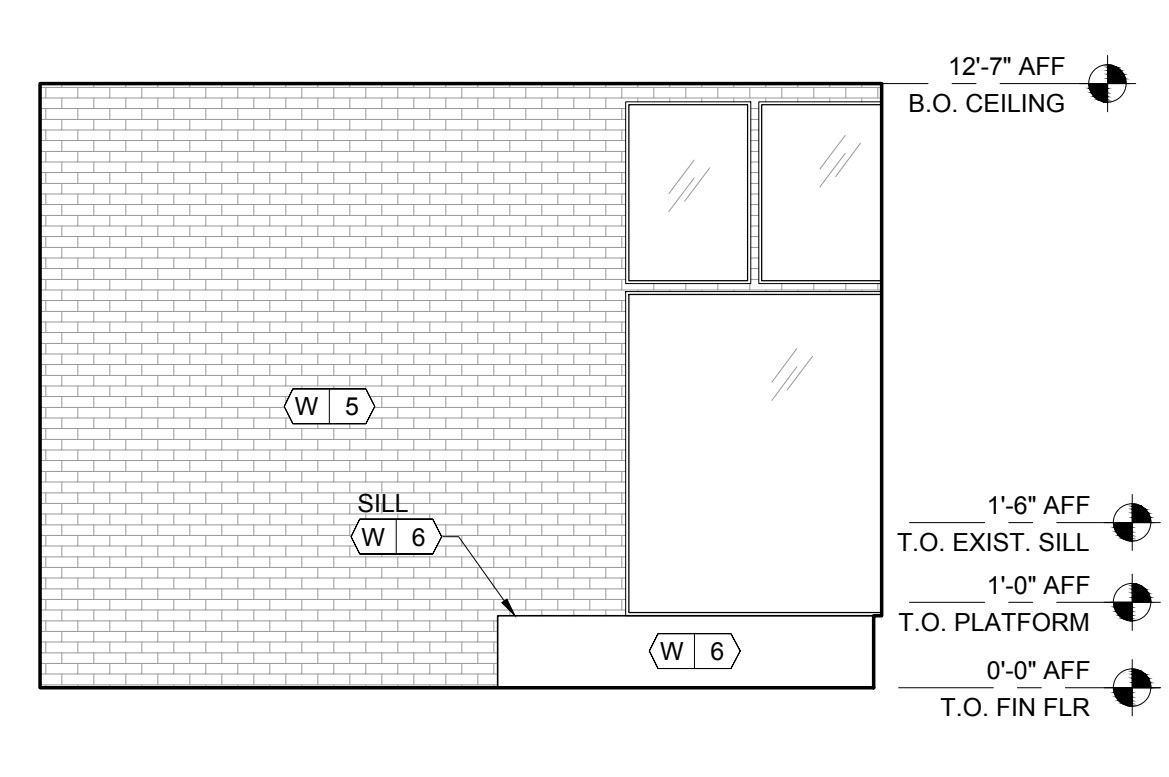
9 INTR ELEV - SALES
A400 SCALE: 1/4" = 1'-0"



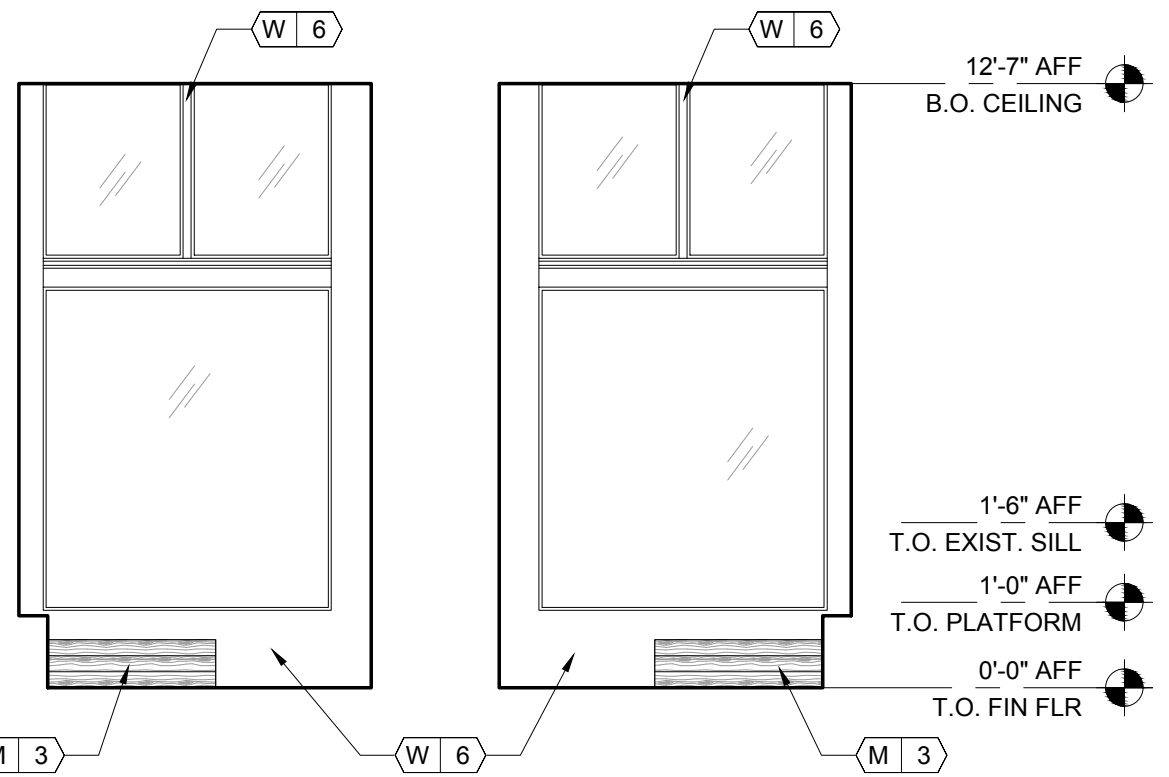
8 INTR ELEV - SALES
A400 SCALE: 1/4" = 1'-0"



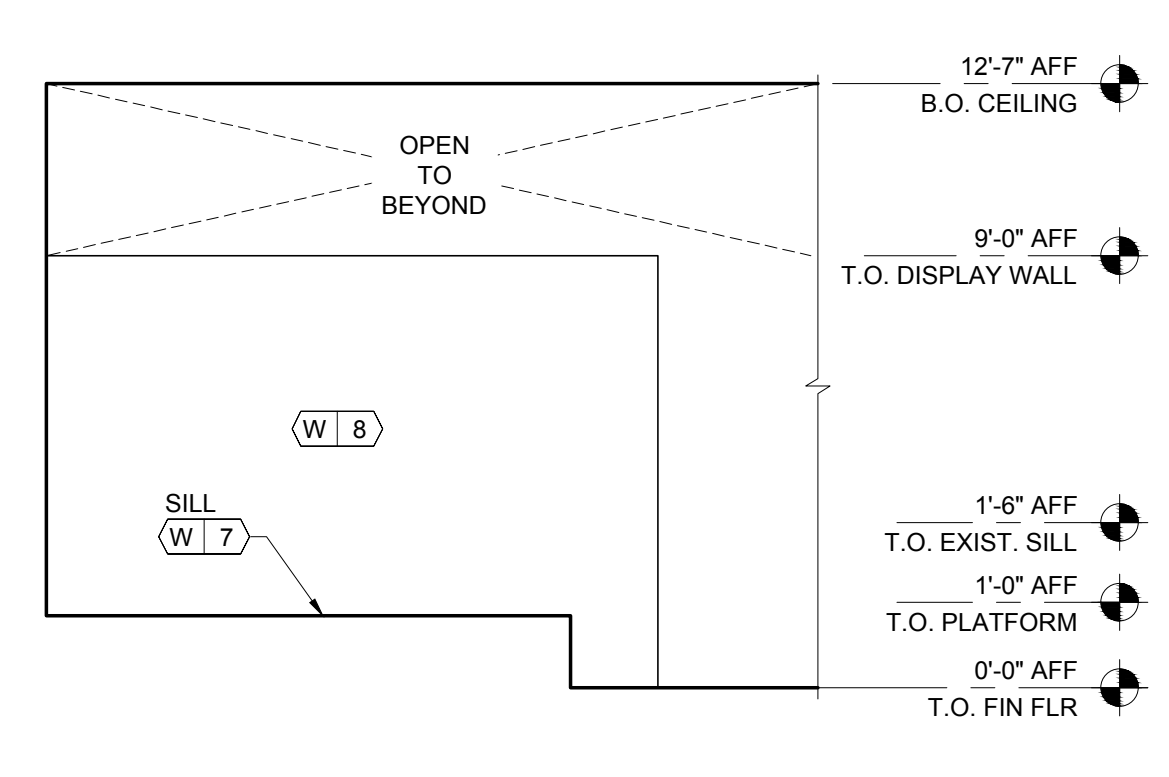
7 INTR ELEV - SALES
A400 SCALE: 1/4" = 1'-0"



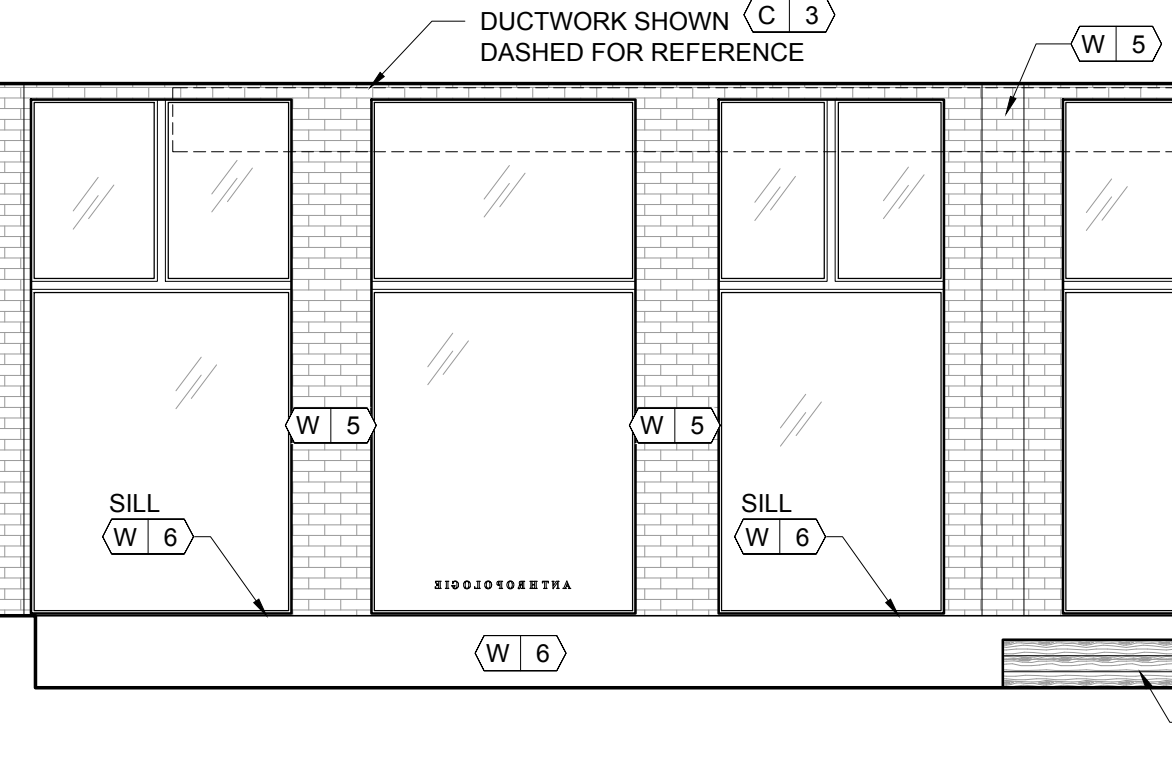
5 INTR ELEV - SALES
A400 SCALE: 1/4" = 1'-0"



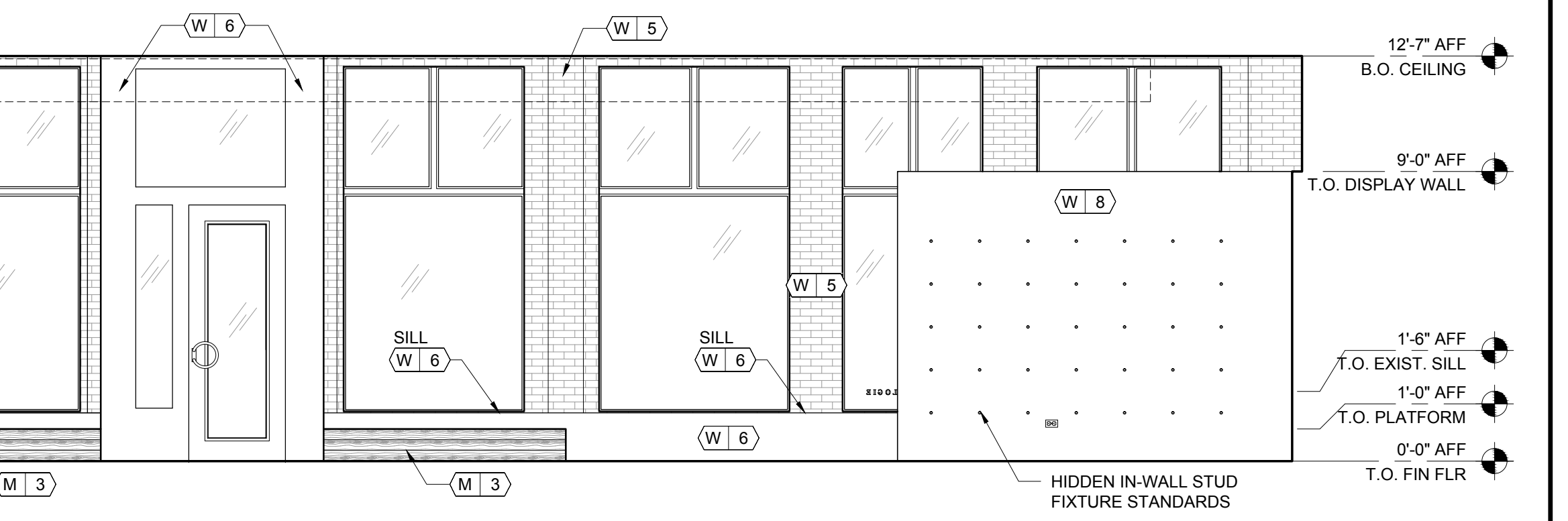
4 INTR ELEV - SALES
A400 SCALE: 1/4" = 1'-0"



3 INTR ELEV - SALES
A400 SCALE: 1/4" = 1'-0"



2 INTR ELEV - WINDOW DISPLAY
A400 SCALE: 1/4" = 1'-0"



1 INTR ELEV - STOREFRONT
A400 SCALE: 1/4" = 1'-0"

DRAWN BY: BH CHECKED BY: SMW
NSA PROJECT NUMBER: 2013-99
PROJECT PHASE: CD

ISSUE / DATE:
100% CHECKSET 07-11-2014
BID/PERMIT 08-01-2014

REVISION:

SHEET TITLE:
INTERIOR ELEVATIONS

SHEET NO:
A400