

City of Portland, Maine - Building or Use Permit Application

389 Congress Street, 04101 Tel: (207) 874-8703, Fax: (207) 874-8716

Permit No: 06-0737	Issue Date: MAY 19 2006	CBL: 028 J01 001
-----------------------	----------------------------	---------------------

Location of Construction: 145 NEWBURY ST	Owner Name: NEWBURY TEMPLE LLC	Owner Address: 480 CAPISIC ST	Phone:
Business Name:	Contractor Name: Finast Hearth INC.	Contractor Address: 359 Riverside Ave Portland	Phone: 2078469030
Lessee/Buyer's Name	Phone:	Permit Type: HVAC	Zone:

Past Use: Single Family	Proposed Use: Single Family Install a Heat & Glo gas fireplace	Permit Fee: \$39.00	Cost of Work: \$1,804.00	CEO District: 1
----------------------------	-------------------------------------------------------------------	------------------------	-----------------------------	--------------------

Proposed Project Description: Install a Heat & Glo gas fireplace	FIRE DEPT: <input type="checkbox"/> Approved <input type="checkbox"/> Denied INSPECTION: Use Group: N/A Type: Signature: n/a Signature: 5/19/06 PEDESTRIAN ACTIVITIES DISTRICT (P.A.D.) Action: <input type="checkbox"/> Approved <input type="checkbox"/> Approved w/Conditions <input type="checkbox"/> Denied Signature: Date:
---------------------------------------------------------------------	-----------------------------------------------------------------------------------------------------------------------------------------------------------------------------------------------------------------------------------------------------------------------------------------------------------------------------------------------------

Permit Taken By: dmartin	Date Applied For: 05/15/2006	Zoning Approval		
-----------------------------	---------------------------------	------------------------	--	--

1. This permit application does not preclude the Applicant(s) from meeting applicable State and Federal Rules. 2. Building permits do not include plumbing, septic or electrical work. 3. Building permits are void if work is not started within six (6) months of the date of issuance. False information may invalidate a building permit and stop all work..	Special Zone or Reviews <input type="checkbox"/> Shoreland <input type="checkbox"/> Wetland <input type="checkbox"/> Flood Zone <input type="checkbox"/> Subdivision <input type="checkbox"/> Site Plan Maj <input type="checkbox"/> Minor <input type="checkbox"/> MM <input type="checkbox"/> Date:	Zoning Appeal <input type="checkbox"/> Variance <input type="checkbox"/> Miscellaneous <input type="checkbox"/> Conditional Use <input type="checkbox"/> Interpretation <input type="checkbox"/> Approved <input type="checkbox"/> Denied Date:	Historic Preservation <input type="checkbox"/> Not in District or Landmark <input type="checkbox"/> Does Not Require Review <input type="checkbox"/> Requires Review <input type="checkbox"/> Approved <input type="checkbox"/> Approved w/Conditions <input type="checkbox"/> Denied Date:
------------------------------------------------------------------------------------------------------------------------------------------------------------------------------------------------------------------------------------------------------------------------------------------------------------------------------------------------------------------------	----------------------------------------------------------------------------------------------------------------------------------------------------------------------------------------------------------------------------------------------------------------------------------------------------------------------------	----------------------------------------------------------------------------------------------------------------------------------------------------------------------------------------------------------------------------------------------------------------------	------------------------------------------------------------------------------------------------------------------------------------------------------------------------------------------------------------------------------------------------------------------------------------------------------------------

CERTIFICATION

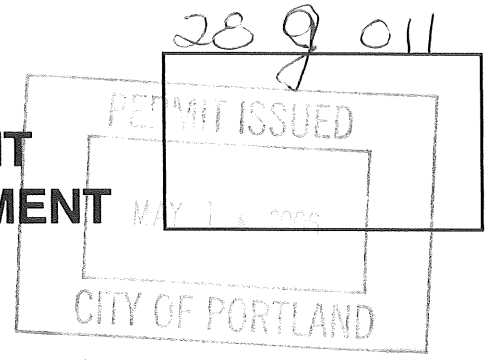
I hereby certify that I am the owner of record of the named property, or that the proposed work is authorized by the owner of record and that I have been authorized by the owner to make this application as his authorized agent and I agree to conform to all applicable laws of this jurisdiction. In addition, if a permit for work described in the application is issued, I certify that the code official's authorized representative shall have the authority to enter all areas covered by such permit at any reasonable hour to enforce the provision of the code(s) applicable to such permit.

SIGNATURE OF APPLICANT	ADDRESS	DATE	PHONE
RESPONSIBLE PERSON IN CHARGE OF WORK, TITLE		DATE	PHONE



FILL IN AND SIGN WITH INK

APPLICATION FOR PERMIT HEATING OR POWER EQUIPMENT



To the INSPECTOR OF BUILDINGS, PORTLAND, ME.

The undersigned hereby applies for a permit to install the following heating, cooking or power equipment in accordance with the Laws of Maine, the Building Code of the City of Portland, and the following specifications:

Location / CBL _____ Use of Building _____ Date _____

Name and address of owner of appliance ED GARDNER
151 NEWBERRY ST. PORTLAND ME 04102

Installer's name and address FINEST HEARTH & HOME
9 COMMERCIAL ST. PORTLAND Telephone 772-2155

Location of appliance:

- Basement
- Floor
- Attic
- Roof

Type of Fuel:

- Gas
 - Oil
 - Solid
- HEAT & GLO

Appliance Name: SL-350 TRS-C

U.L. Approved Yes No

Will appliance be installed in accordance with the manufacture's installation instructions? Yes No

IF NO Explain: _____

The Type of License of Installer:

- Master Plumber # _____
- Solid Fuel # _____
- Oil # _____
- Gas # PNT 4855
- Other _____

Type of Chimney:

Masonry Lined
Factory built _____

Metal
Factory Built U.L. Listing # _____

Direct Vent
Type MANUFACTURER'S U.L.#

Type of Fuel Tank

- Oil
- Gas

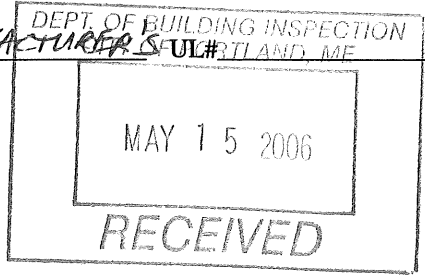
Size of Tank _____

Number of Tanks _____

Distance from Tank to Center of Flame _____ feet.

Cost of Work: \$ ~~1,804.00~~ 1,804.00

Permit Fee: \$ 39.00



Approved

Fire: _____
Ele.: _____
Bldg.: _____

Approved with Conditions

See attached letter or requirement

Signature of Installer Robert A. Thibault Inspector's Signature _____ Date Approved _____

CASH

City of Portland, Maine - Building or Use Permit

389 Congress Street, 04101 Tel: (207) 874-8703, Fax: (207) 874-8716

Permit No: 06-0737	Date Applied For: 05/15/2006	CBL: 028 J011001
-----------------------	---------------------------------	---------------------

Location of Construction: 145 NEWBURY ST	Owner Name: NEWBURY TEMPLE LLC	Owner Address: 480 CAPISIC ST	Phone:
Business Name:	Contractor Name: Finast Hearth INC.	Contractor Address: 359 Riverside Ave Portland	Phone (207) 846-9030
Lessee/Buyer's Name	Phone:	Permit Type: HVAC	

Proposed Use: Single Family Install a Heat & Glo gas fireplace	Proposed Project Description: Install a Heat & Glo gas fireplace
-------------------------------------------------------------------	---------------------------------------------------------------------

Dept: Building **Status:** Approved with Conditions **Reviewer:** Mike Nugent **Approval Date:** 05/19/2006

Note: **Ok to Issue:**

1) Must comply w/ NFPA regs and Manufacturer's listed installation specs

INVOICE# 11911
 DATE: 03/25/06

L A Y A W A Y FINAL #00024236
 SERVICE DATE: 00/00/00

REGISTER: 01

FINEST HEARTH & HOME
 9 COMMERCIAL STREET
 PORTLAND, ME 04101
 TEL: 207-772-2155

CASHIER: ERNIE STANHOPE, JR
 SALES REP: 061-RICHARD TAYLOR

SOLD TO:

ED GARDNER
 145 NEWBERRY ST ASSOC
 151 NEWBERRY ST
 PORTLAND

SHIP TO:

ME 04102-0000

WARRANTY
 ORDER/SEND TO 06

CONTACT:

ED GARDNER
 145 NEWBERRY ST ASSOC
 151 NEWBERRY ST
 PORTLAND

PHONE#1: 2074154493
 PHONE#2:
 PHONE#3:

ME 04102

ITEM NR	DESCRIPTION	QTY	PRICE/UN	AMOUNT
000106	HNG ACCESS NON STOCK PT# 060-522	1	.0100	.01
000609	MGRS SPECIAL REBATE	1	.0100-	.01-

TRANSACT#
00011911

CUST NO:
4154493

SUBTOTAL .00
 TAX .00
 TOTAL .00
 PRIOR PMTS .00
 BALANCE .00

LABOR #375



CITY OF PORTLAND, MAINE
Department of Building Inspections

May 15 20 06

Received from Finest Hearth & Home

Location of Work 145-151 Newbury St

Cost of Construction \$ 1809.00

Permit Fee \$ 39.00

Building (IL) Plumbing (I5) Electrical (I2) Site Plan (U2)

Other HVAC

CBL: JE Q CU

Check #: (1st)

Total Collected \$ 39

THIS IS NOT A PERMIT

No work is to be started until PERMIT CARD is actually posted upon the premises. Acceptance of fee is no guarantee that permit will be granted. PRESERVE THIS RECEIPT. In case permit cannot be granted the amount of the fee will be refunded upon return of the receipt less \$10.00 or 10% whichever is greater.

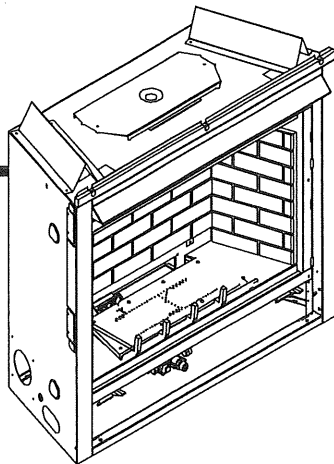
WHITE - Applicant's Copy
YELLOW - Office Copy
PINK - Permit Copy

Models:

SL-750TRS-IPI-D

SL-550TRS-IPI-D

SL-350TRS-C



GAS-FIRED



CAUTION



DO NOT DISCARD THIS MANUAL

- Important operating and maintenance instructions included.
- Read, understand and follow these instructions for safe installation and operation.
- Leave this manual with party responsible for use and operation.

**DO NOT
DISCARD**

⚠ WARNING: If the information in these instructions is not followed exactly, a fire or explosion may result causing property damage, personal injury, or death.

- Do not store or use gasoline or other flammable vapors and liquids in the vicinity of this or any other appliance.
- **What to do if you smell gas**
 - Do not try to light any appliance
 - Do not touch any electrical switch. Do not use any phone in your building.
 - Immediately call your gas supplier from a neighbor's phone. Follow the gas supplier's instructions.
 - If you cannot reach your gas supplier, call the fire department.
- Installation and service must be performed by a qualified installer, service agency, or the gas supplier.

This appliance may be installed as an OEM installation in manufactured home (USA only) or mobile home and must be installed in accordance with the manufacturer's instructions and the manufactured home construction and safety standard, *Title 24 CFR, Part 3280* or *Standard for Installation in Mobile Homes, CAN/CSA Z240MH*.

This appliance is only for use with the type(s) of gas indicated on the rating plate.

⚠ WARNING



HOT! DO NOT TOUCH.
SEVERE BURNS MAY RESULT.
CLOTHING IGNITION MAY RESULT.

Glass and other surfaces are hot during operation and cool down.

- Keep children away.

- CAREFULLY SUPERVISE children in same room as appliance.
- Alert children and adults to hazards of high temperatures.
- Do NOT operate with protective barriers open or removed.
- Keep clothing, furniture, draperies and other combustibles away.

This appliance has been supplied with an integral barrier to prevent direct contact with the fixed glass panel. Do NOT operate the appliance with the barrier removed.

Contact your dealer or Hearth & Home Technologies if the barrier is not present or help is needed to properly install one.

In the Commonwealth of Massachusetts:


- installation must be performed by a licensed plumber or gas fitter;
- a CO detector shall be installed in the room where the appliance is installed.





Installation and service of this appliance should be performed by qualified personnel. Hearth & Home Technologies suggests NFI certified or factory-trained professionals, or technicians supervised by an NFI certified professional.




SAFETY AND WARNING INFORMATION


 **READ** and **UNDERSTAND** all instructions carefully before starting the installation. **FAILURE TO FOLLOW** these installation instructions may result in a possible fire hazard and will void the warranty.


 Prior to the first firing of the appliance, **READ** the Using Your Appliance section of the *Owners Guide*.


 **DO NOT USE** this appliance if any part has been under water. Immediately **CALL** a qualified service technician to inspect the unit and to replace any part of the control system and any gas control which has been under water.


 **THIS UNIT IS NOT FOR USE WITH SOLID FUEL.**


 Installation and repair should be **PERFORMED** by a qualified service person. The appliance and venting system should be **INSPECTED** before initial use and at least annually by a professional service person. More frequent cleaning may be required due to excessive lint from carpeting, bedding material, etc. It is **IMPERATIVE** that the unit's control compartment, burners, and circulating air passageways **BE KEPT CLEAN** to provide for adequate combustion and ventilation air.


 Always **KEEP** the appliance clear and free from combustible materials, gasoline, and other flammable vapors and liquids.


 **NEVER OBSTRUCT** the flow of combustion and ventilation air. Keep the front of the appliance **CLEAR** of all obstacles and materials for servicing and proper operations.


 Due to the high temperature, the appliance should be **LOCATED** out of traffic areas and away from furniture and draperies. Clothing or flammable material **SHOULD NOT BE PLACED** on or near the appliance.


 Children and adults should be **ALERTED** to the hazards of high surface temperature and should **STAY AWAY** to avoid burns or clothing ignition. Young children should be **CAREFULLY SUPERVISED** when they are in the same room as the appliance.


 These units **MUST** use one of the vent systems described in the Installing the Appliance section of the *Installers Guide*. **NO OTHER** vent systems or components **MAY BE USED**.


 This gas appliance and vent assembly **MUST** be vented directly to the outside and **MUST NEVER** be attached to a chimney serving a separate solid fuel burning appliance. Each gas appliance **MUST USE** a separate vent system. Common vent systems are **PROHIBITED**.


 **INSPECT** the external vent cap on a regular basis to make sure that no debris is interfering with the air flow.


 The glass door assembly **MUST** be in place and sealed, and the trim door assembly **MUST** be in place on the appliance before the unit can be placed into safe operation.

 **DO NOT OPERATE** this appliance with the glass door removed, cracked, or broken. Replacement of the glass door should be performed by a licensed or qualified service person. **DO NOT** strike or slam the glass door.

 The glass door assembly **SHALL ONLY** be replaced as a complete unit, as supplied by the gas appliance manufacturer. **NO SUBSTITUTE** material may be used.

 **DO NOT USE** abrasive cleaners on the glass door assembly. **DO NOT ATTEMPT** to clean the glass door when it is hot.

 Turn off the gas before servicing this appliance. It is recommended that a qualified service technician perform an appliance check-up at the beginning of each heating season.

 Any safety screen or guard removed for servicing must be replaced before operating this appliance.


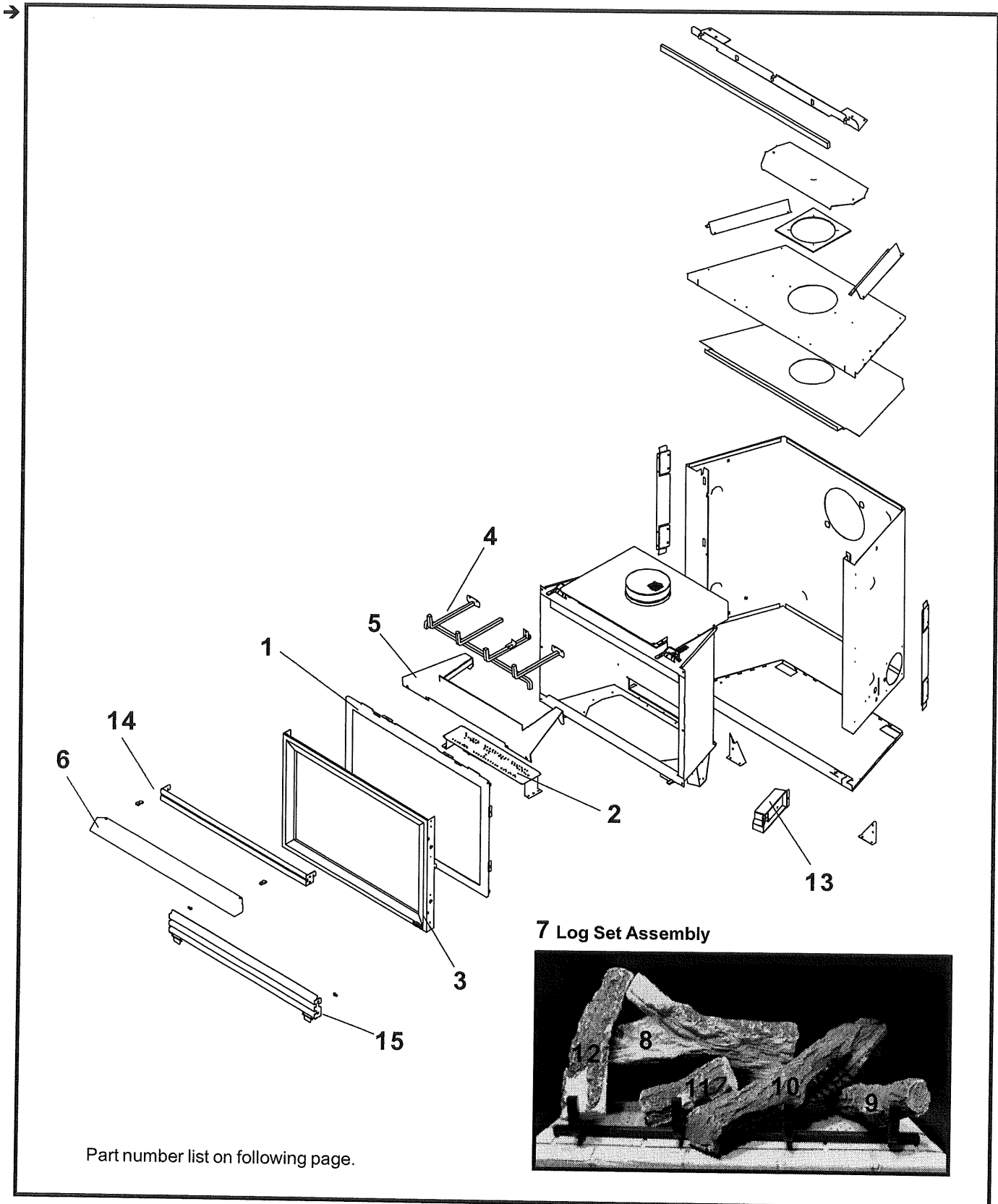
 **DO NOT** place furniture or any other combustible household objects within 36 inches of the appliance front.

TABLE OF CONTENTS

Safety and Warning Information	2
→ Service Parts Lists	4
Section 1: Approvals and Codes	12
Appliance Certification	12
Installation Codes	12
High Altitude Installations	12
Section 2: Getting Started	13
Introducing the Heat & Glo Gas Appliances	13
Pre-installation Preparation	13
Section 3: Installing the Appliance	17
Constructing the Appliance Chase	17
Step 1 Locating the Appliance	17
Step 2 Framing the Appliance	18
Step 3 Installing the Vent System	21
A. Vent System Approvals	21
B. Installing Vent Components	31
C. Vent Termination	34
Step 4 Positioning, Leveling, and Securing the Appliance	37
Step 5 The Gas Control Systems	37
Step 6 The Gas Supply Line	38
Step 7 Gas Pressure Requirements	38
Step 8 Wiring the Appliance	39
Step 9 Finishing	41
Step 10 Installing Trim, Logs, and Ember Material	42
Installing the Trim	42
Positioning the Logs	42
Shutter Settings	42
Placing the Ember Material	42
Glass Specifications	42
Step 11 Before Lighting the Appliance	43
Step 12 Lighting the Appliance	43
After the Installation	43
Section 4: Maintaining and Servicing Your Appliance	44

→ = Contains updated information.



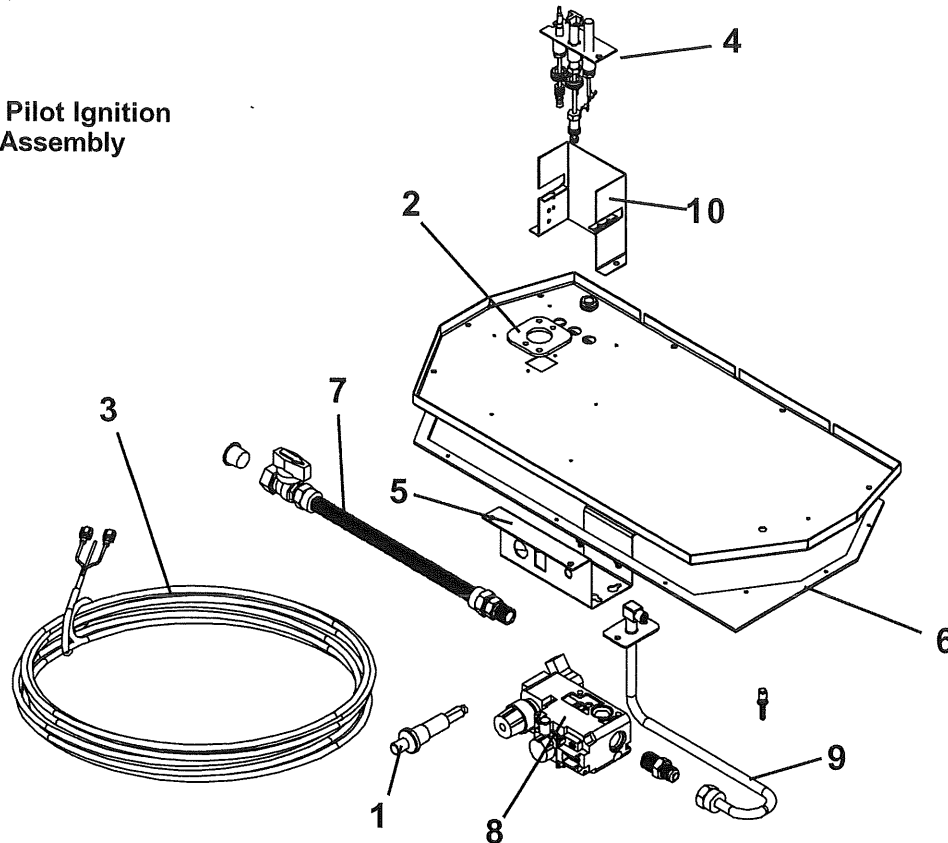
(NG, LP) Service Parts List**SL-350TRS-C**

IMPORTANT: THIS IS DATED INFORMATION. The most current information is located on your dealers VIP site. When ordering, supply serial and model numbers to ensure correct service parts.

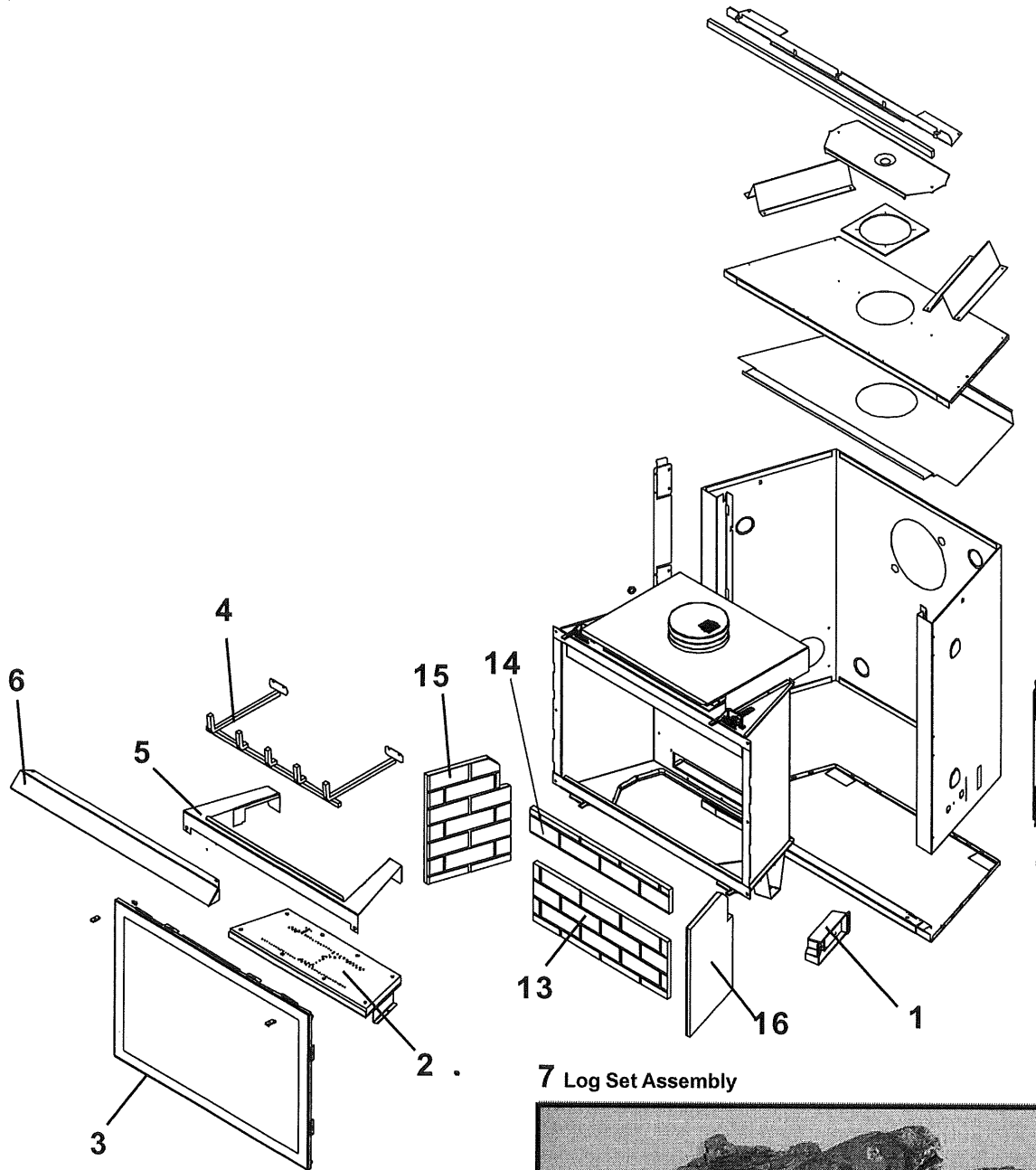
ITEM	STANDING PILOT	SERIAL #	PART NUMBER
	Burner Orifice NG (#43C)		582-843
	Burner Orifice LP (#53C)		582-853
1	Glass Door Assembly		GLA-350TRS
2	Burner NG, LP		540-234A
3	Mesh Panel Door		540-382A
4	Log Grate		540-361A
5	Base Refractory	PRE 4/06 POST 4/06	540-206T (Tan) 2065-206 (Black)
6	Hood		SRV540-174
7	Log Set Assembly		LOGS-350
8	Log 1		SRV530-701
9	Log 2		SRV530-704
10	Log 3		SRV540-702
11	Log 4		SRV530-705
12	Log 5		SRV530-703
13	Junction Box	PRE 00251404 POST 00251404	100-250A 4021-013
14	Louver, Top		540-256A
15	Louver, Bottom		540-257A
	Pilot Orifice NG		446-505
	Pilot Orifice LP		446-517
	Thermocouple		446-511
	Thermopile		060-512
	Conversion Kit NG		NGK-350TRS-C
	Conversion Kit LP		LPK-350TRS-C
	Vermiculite Embers		MYSTIC-EMBERS
	Exhaust Restrictor		530-299
	Glass Latch Assembly		386-122A
	Mineral Wool		050-721
	Touch up Paint		TUP-GBK-12

Also see additional pages for valve assembly service part numbers.

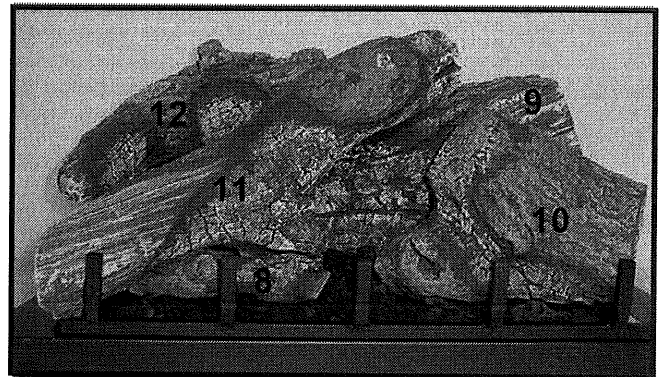
Standing Pilot Ignition Valve Assembly



ITEM	DESCRIPTION	SERIAL #	PART NUMBER
1	Piezo Ignitor		291-513
2	Burner Neck Gasket		2045-407
3	Thermostat Wire Assembly	PRE 00251404 POST 00251404	N/A 2045-024
4	Pilot Assembly NG		530-510A
4	Pilot Assembly LP		530-511A
5	Valve Bracket		2025-101
6	Valve Plate Gasket		530-431
7	Flex Ball Valve Assembly		302-320A
8	Valve NG		060-522
8	Valve LP		060-523
9	Flexible Gas Connector	PRE 22099930 POST 22099930	567-301A 530-302A
10	Pilot Bracket		530-164
	ON/OFF Rocker Switch	PRE 00251404 POST 00251404	060-511 N/A
	Wire Assembly	PRE 00251404 POST 00251404	049-552A N/A



7 Log Set Assembly



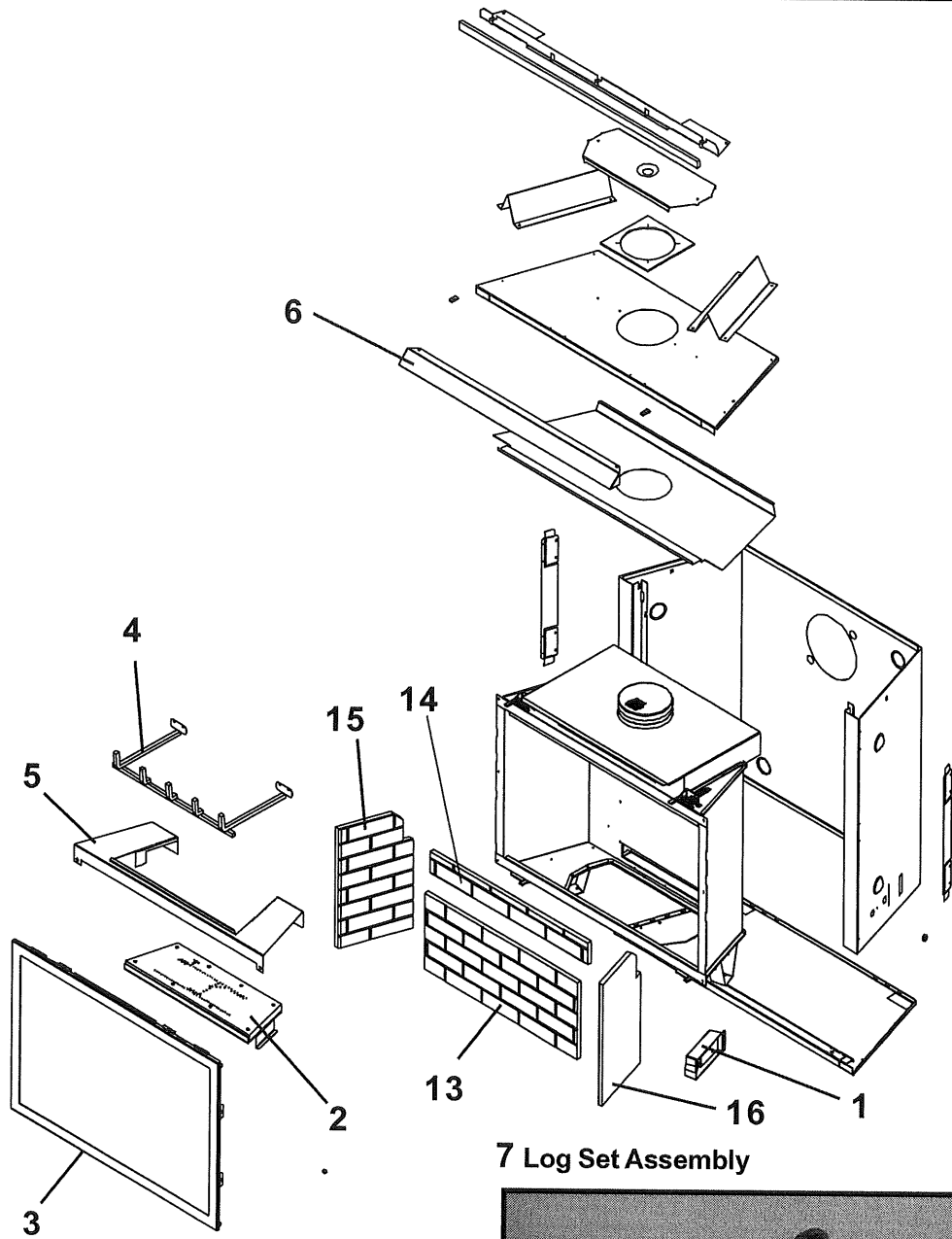
Part number list on following page.

(NG, LP) Service Parts List**SL-550TRS-IPI-D**

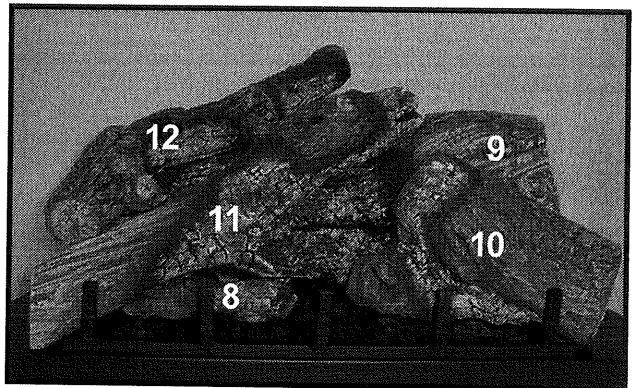
IMPORTANT: THIS IS DATED INFORMATION. The most current information is located on your dealers VIP site. When ordering, supply serial and model numbers to ensure correct service parts.

ITEM	DESCRIPTION	SERIAL #	PART NUMBER
	Burner Orifice NG (#38C)		582-838
	Burner Orifice LP (#53C)		582-853
1	Junction Box		4021-013
2	Burner NG		2065-005
2	Burner LP		2065-006
3	Glass Door Assembly		GLA-550TRS
4	Log Grate		2066-036
5	Base Refractory NG, LP		2065-100
6	Hood		SRV550-175
7	Log Set Assembly		LOGS-550TRS-D
8	Log 1		SRV2065-701
9	Log 2		SRV2065-702
10	Log 3		SRV2065-703
11	Log 4		SRV2065-704
12	Log 5		SRV2065-705
	Refractory Kit		BRICK-550TRS-D
13	Refractory, Back		SRV2044-141
14	Refractory, Upper Back		SRV2044-144
15	Refractory, Left Side		SRV2044-142
16	Refractory, Right Side		SRV2044-143
	Pilot Orifice NG		446-505
	Pilot Orifice LP		446-517
	Thermocouple		446-511
	Thermopile		060-512
	Mineral Wool		050-721
	Glass Latch		386-122A
	Exhaust Restrictor		530-299
	Touch up Paint		TUP-GBK-12
ACCESSORIES			
	Fan Kit		GFK-160A
	Extended Vertical Baffle Kit		BAF-VERT
	Wall Switch Kit, Off-white		WSK-21
	Wall Switch Kit, White		WSK-21-W
	Conversion Kit NG		NGK-550TRS-IPID
	Conversion Kit LP		LPK-550TRS-IPID
	Vermiculite Embers		MYSTIC-EMBERS

Also see additional pages for valve assembly service part numbers.



Part number list on following page.



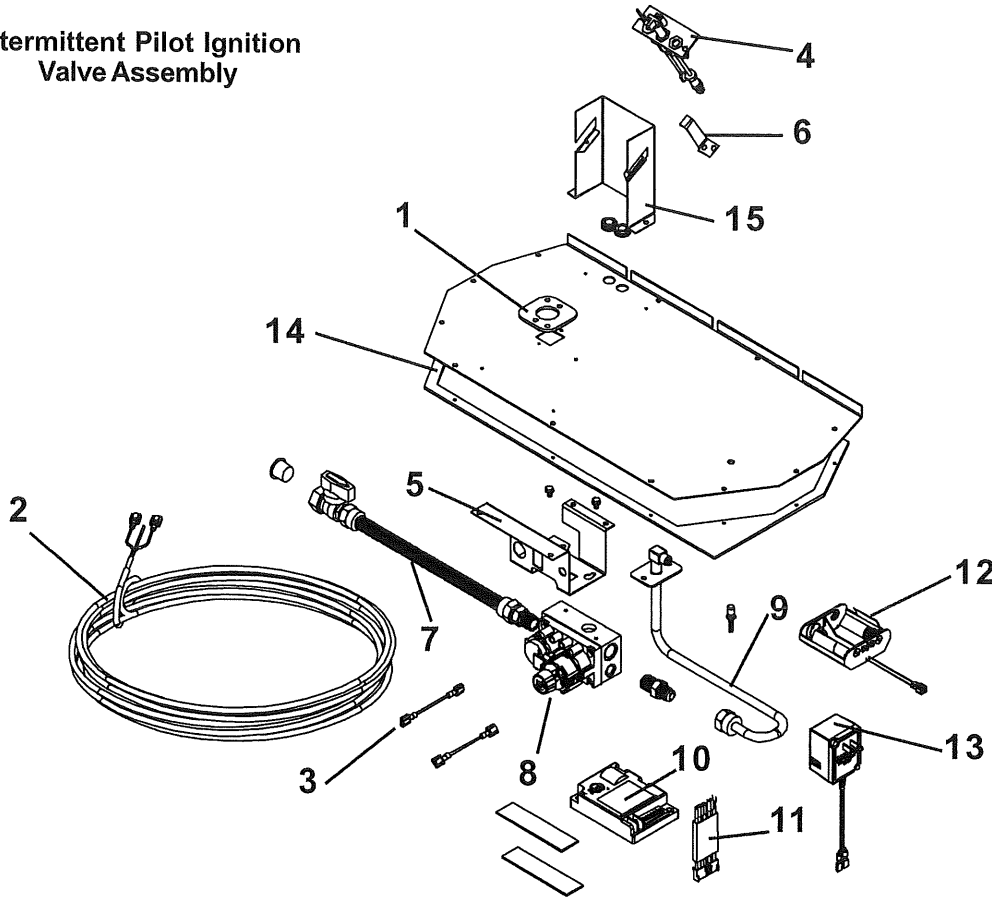
(NG, LP) Service Parts List**SL-750TRS-IPID**

IMPORTANT: THIS IS DATED INFORMATION. The most current information is located on your dealers VIP site. When ordering, supply serial and model numbers to ensure correct service parts.

ITEM	DESCRIPTION	SERIAL #	PART NUMBER
	Burner Orifice NG (#36C)		582-836
	Burner Orifice LP (#52C)		582-852
1	Junction Box		4021-013
2	Burner NG		2066-005
2	Burner LP		2065-006
3	Glass Door Assembly		GLA-750TRS
4	Log Grate		2066-036
5	Base Refractory NG, LP		2066-100
6	Hood		SRV530-175
7	Log Set Assembly		LOGS-750TRS-D
8	Log 1		SRV2065-701
9	Log 2		SRV2066-702
10	Log 3		SRV2066-703
11	Log 4		SRV2066-704
12	Log 5		SRV2066-705
	Refractory Kit		BRICK-750TRS-D
13	Refractory, Back		SRV2045-103
14	Refractory, Upper Back		SRV2045-106
15	Refractory, Left Side		SRV2045-104
16	Refractory, Right Side		SRV2045-105
	Mineral Wool		050-721
	Glass Latch Assembly		386-122A
	Exhaust Restrictor		530-299
	Touch up Paint		TUP-GBK-12
ACCESSORIES			
	Fan Kit		GFK-160A
	Extended Vertical Baffle Kit		BAF-VERT
	Wall Switch Kit, Off-white		WSK-21
	Wall Switch Kit, White		WSK-21-W
	Conversion Kit NG		NGK-750TRS-IPID
	Conversion Kit LP		LPK-750TRS-IPID
	Vermiculite Embers		MYSTIC-EMBERS

Also see additional pages for valve assembly service part numbers.

Intermittent Pilot Ignition Valve Assembly



ITEM / PIÈCE	DESCRIPTION	SERIAL # / N° DE SÈRE	PART NUMBER / N° DE PIÈCE
1	Burner Neck Gasket / Joint de Cou de Brûleur		2045-407
2	Thermostat Wire Assembly / L'Assemblée de Fil de thermostat		2045-024
3	Wire Assembly / Module de fil		2012-206
4	Pilot Assembly NG / Module de veilleuse GN		4021-025
4	Pilot Assembly LP / Module de veilleuse PL		4021-026
5	Valve Bracket / Parenthèse de Valve		2025-101
6	Ground Strap / Courroie de Raison(Terre)		385-512
7	Flex Ball Valve Assembly / Fléchir l'Assemblée de Soupape de Balle		302-320A
8	Valve NG / Valve GN		750-500
8	Valve LP / Valve PL		750-501
9	Flexible Gas Connector / Tuyau à gaz flexible		530-302A
10	Module / Module		593-592
11	Wire Assembly / Module de fil		593-590A
12	Battery Pack / Paquet de Batterie(Pile)		593-594A
13	3 Volt Transformer / 3 Transformateur de Volt		593-593A
14	Valve Plate Gasket / Joint de Plat de Valve		530-431
15	Pilot Bracket / Parenthèse Pilote		2065-117

1

Approvals and Codes

Appliance Certification

The Heat & Glo appliance models discussed in this *Installers Guide* have been tested to certification standards and listed by the applicable laboratories.

Certification
MODELS: SL-750TRS-IPI-D, SL-550TRS-IPI-D, SL-350TRS-C
LABORATORY: Underwriters Laboratories
TYPE: Direct Vent Gas Fireplace Heater
STANDARD: ANSI Z21.88•CSA2.33•UL307B

NOTE: THESE MODELS ARE UL LISTED TO UL307B, THE STANDARD FOR GAS-BURNING HEATING APPLIANCES FOR MANUFACTURED HOMES AND RECREATIONAL VEHICLES.

Installation Codes

The appliance installation must conform to local codes. Before installing the appliance, consult the local building code agency to ensure that you are in compliance with all applicable codes, including permits and inspections.

In the absence of local codes, the appliance installation must conform to the National Fuel Gas Code ANSI Z223.1 (in the United States) or the CAN/CGA-B149 Installation Codes (in Canada). The appliance must be electrically grounded in accordance with local codes or, in the absence of local codes with the National Electric Code ANSI/NFPA No. 70 (in the United States), or to the CSA C22.1 Canadian Electric Code (in Canada).

These models may be installed in a bedroom or bed-sitting room in the U.S.A. and Canada.

High Altitude Installations

U.L. Listed gas appliances are tested and approved without requiring changes for elevations from 0 to 2,000 feet in the U. S. A. and in Canada.

When installing this appliance at an elevation above 2,000 feet, it may be necessary to decrease the input rating by changing the existing burner orifice to a smaller size. Input rate should be reduced by 4% for each 1000 feet above a 2000 foot elevation in the U.S.A. or 10% for elevations between 2000 and 4500 feet in Canada. If the heating value of the gas has been reduced, these rules do not apply. To identify the proper orifice size, check with the local gas utility.

If installing this appliance at an elevation above 4,500 feet (in Canada), check with local authorities.



Heat & Glo Quality
Systems registered
by SGS ICS

2

Getting Started

Introducing the Heat & Glo Gas Appliances

Heat & Glo direct vent gas appliances are designed to operate with all combustion air siphoned from outside of the building and all exhaust gases expelled to the outside.

The information contained in this *Installers Guide*, unless noted otherwise, applies to all models and gas control systems. Gas appliance diagrams, including the dimensions, are shown in this section.

Pre-install Preparation

This gas appliance and its components are tested and safe when installed in accordance with this *Installers Guide*. Report to your dealer any parts damaged in shipment, particularly the condition of the glass. **Do not install any unit with damaged, incomplete, or substitute parts.**

The vent system components and trim doors are shipped in separate packages. The gas logs are packaged separately and must be field installed.

Read all of the instructions before starting the installation. Follow these instructions carefully during the installation to ensure maximum safety and benefit. Failure to follow these instructions will void the owner's warranty and may present a fire hazard.

The Heat & Glo Warranty will be voided by, and Heat & Glo disclaims any responsibility for, the following actions:

- Installation of any damaged appliance or vent system component.
- Modification of the appliance or direct vent system.
- Installation other than as instructed by Heat & Glo.
- Improper positioning of the gas logs or the glass door.
- Installation and/or use of any component part not manufactured and approved by Heat & Glo, notwithstanding any independent testing laboratory or other party approval of such component part or accessory.

ANY SUCH ACTION MAY POSSIBLY CAUSE A FIRE HAZARD.

When planning a appliance installation, it's necessary to determine:

- Where the unit is to be installed.
- The vent system configuration to be used.
- Gas supply piping.
- Electrical wiring.
- Framing and finishing details.
- Whether optional accessories—devices such as a fan, wall switch, or remote control—are desired.

If the appliance is to be installed on carpeting or tile, or on any combustible material other than wood flooring, the appliance should be installed on a metal or wood panel that extends the full width and depth of the appliance.

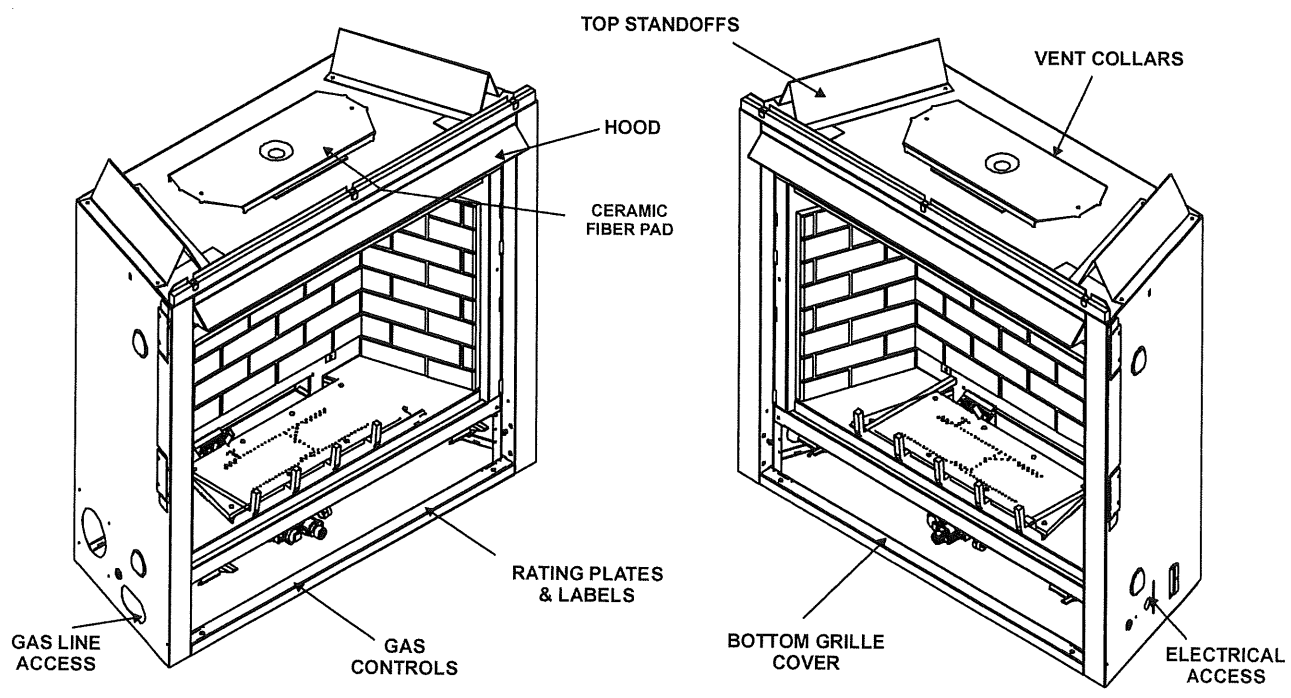
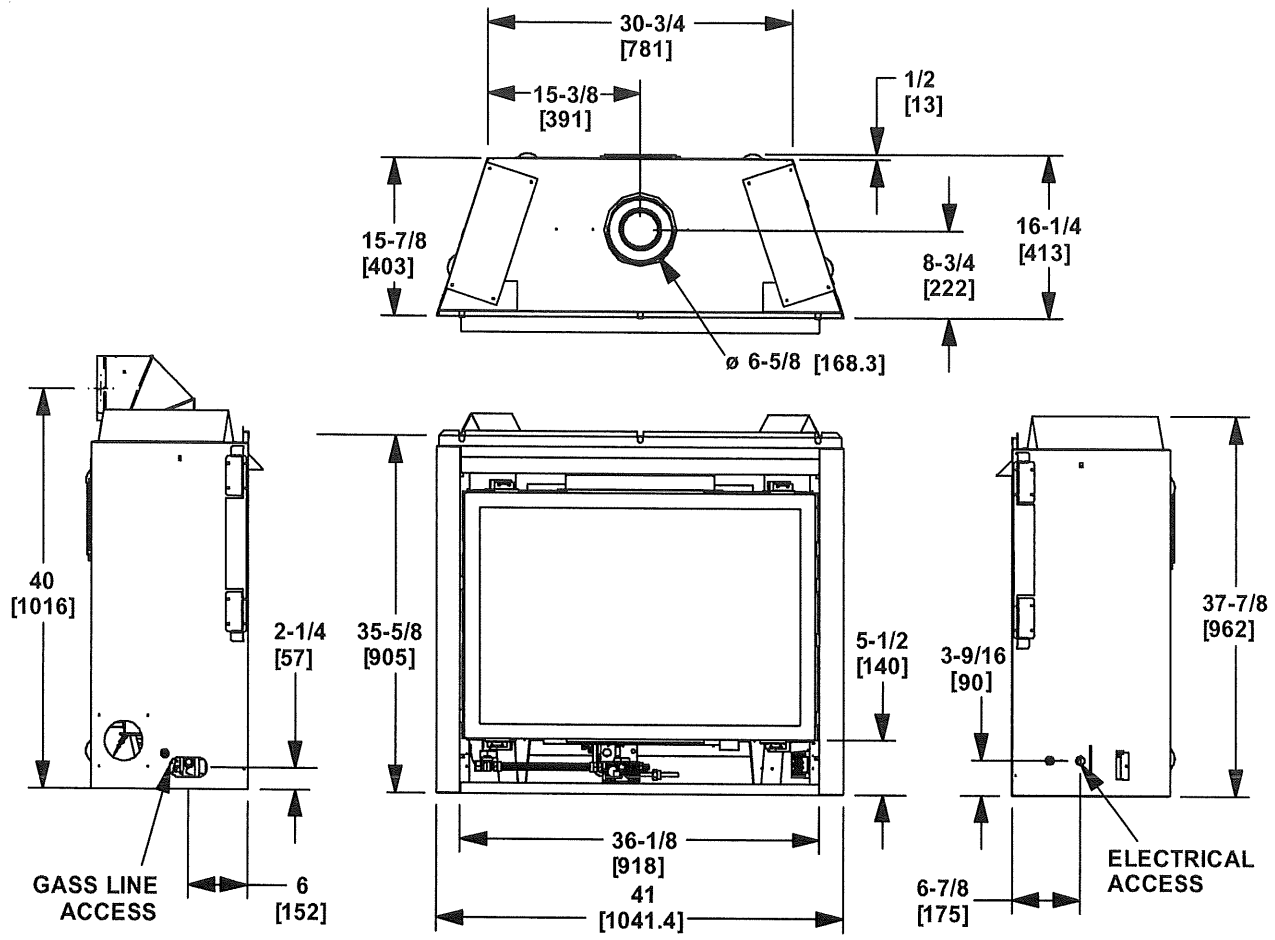


Figure 1. Diagram of the SL-750TRS-IPI-D

3

Installing the Appliance

Constructing the Appliance Chase

A chase is a vertical box-like structure built to enclose the gas appliance and/or its vent system. Vertical vents that run on the outside of a building may be, but are not required to be, installed inside a chase.

CAUTION: TREATMENT OF FIRESTOP SPACERS AND CONSTRUCTION OF THE CHASE MAY VARY WITH THE TYPE OF BUILDING. THESE INSTRUCTIONS ARE NOT SUBSTITUTES FOR THE REQUIREMENTS OF LOCAL BUILDING CODES. THEREFORE, YOUR LOCAL BUILDING CODES **MUST** BE CHECKED TO DETERMINE THE REQUIREMENTS FOR THESE STEPS.

Factory-built appliance chases should be constructed in the manner of all outside walls of the home to prevent cold air drafting problems. The chase should not break the outside building envelope in any manner.

This means that the walls, ceiling, base plate and cantilever floor of the chase should be insulated. Vapor and air infiltration barriers should be installed in the chase as per regional codes for the rest of the home. Additionally, in regions where cold air infiltration may be an issue, the inside surfaces may be sheetrocked and taped for maximum air tightness.

To further prevent drafts, the firestops should be caulked to seal gaps. Gas line holes and other openings should be caulked or stuffed with insulation. If the unit is being installed on a cement slab, a layer of plywood may be placed underneath to prevent conducting cold up into the room.

THE CHASE SHOULD BE CONSTRUCTED SO THAT ALL CLEARANCES TO THE APPLIANCE ARE MAINTAINED AS SPECIFIED WITHIN THIS INSTALLERS GUIDE.

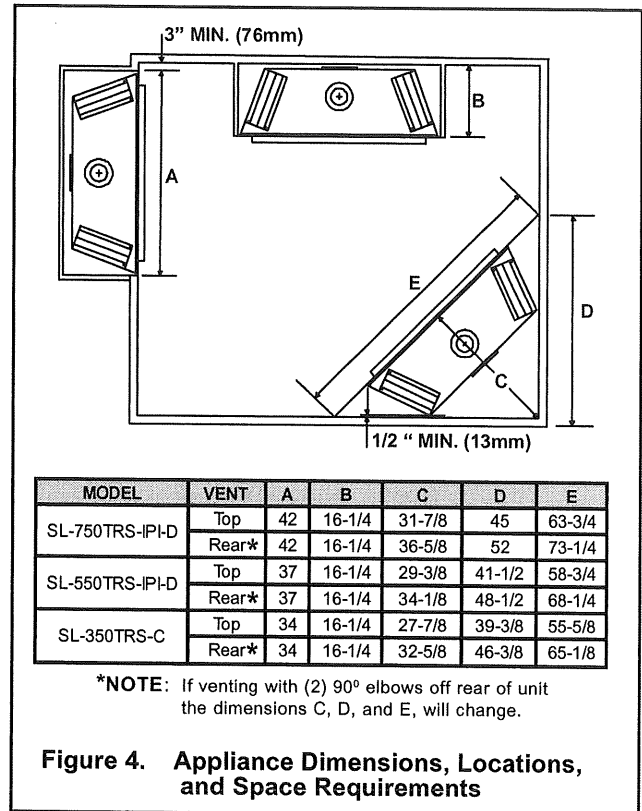
Step 1. Locating the Appliance

Space and clearance requirements for locating a appliance within a room (see Figure 4).

Clearance Requirements

The top and back of the appliance are defined by stand-offs. The minimum clearance to a perpendicular wall extending past the face of the appliance is 3 inches (76mm). The back of the appliance may be recessed 16 1/4 inches (413mm) into combustible construction.

The distance from the unit to combustible construction is to be measured from the unit outer wrap surface to the combustible construction, **NOT** from the screw heads that secure the unit together.



Minimum Clearances from the Appliance to Combustible Materials

	Inches	mm
Glass Front	36	914
Floor	0	0
Rear	1/2	13
Sides	1/2	13
*Top (SL-750TRS-IPI-D)	3 1/4	83
(SL-550TRS-IPI-D, SL-350TRS-C)	1 1/2	38
Ceiling**	31	787

* The clearance to the ceiling is measured from the top of the unit, excluding the standoffs (see Figure 37).

Minimum Clearances from the Vent Pipe to Combustible Materials

	Inches	mm
Vertical Sections	1	25
Horizontal Sections		
Top	3	75
Bottom	1	25
Sides	1	25
At Wall Firestops		
Top	2 1/2	63.7
Bottom	1/2	13
Sides	1	25

For minimum clearances, see the direct vent termination clearance diagrams in Figures 29 and 30 in this manual.

Step 2. Framing the Appliance

Appliance framing can be built before or after the appliance is set in place. Framing should be positioned to accommodate wall coverings and appliance facing material. The diagram below shows framing reference dimensions.

CAUTION: MEASURE APPLIANCE DIMENSIONS AND VERIFY FRAMING METHODS AND WALL COVERING DETAILS BEFORE FRAMING.

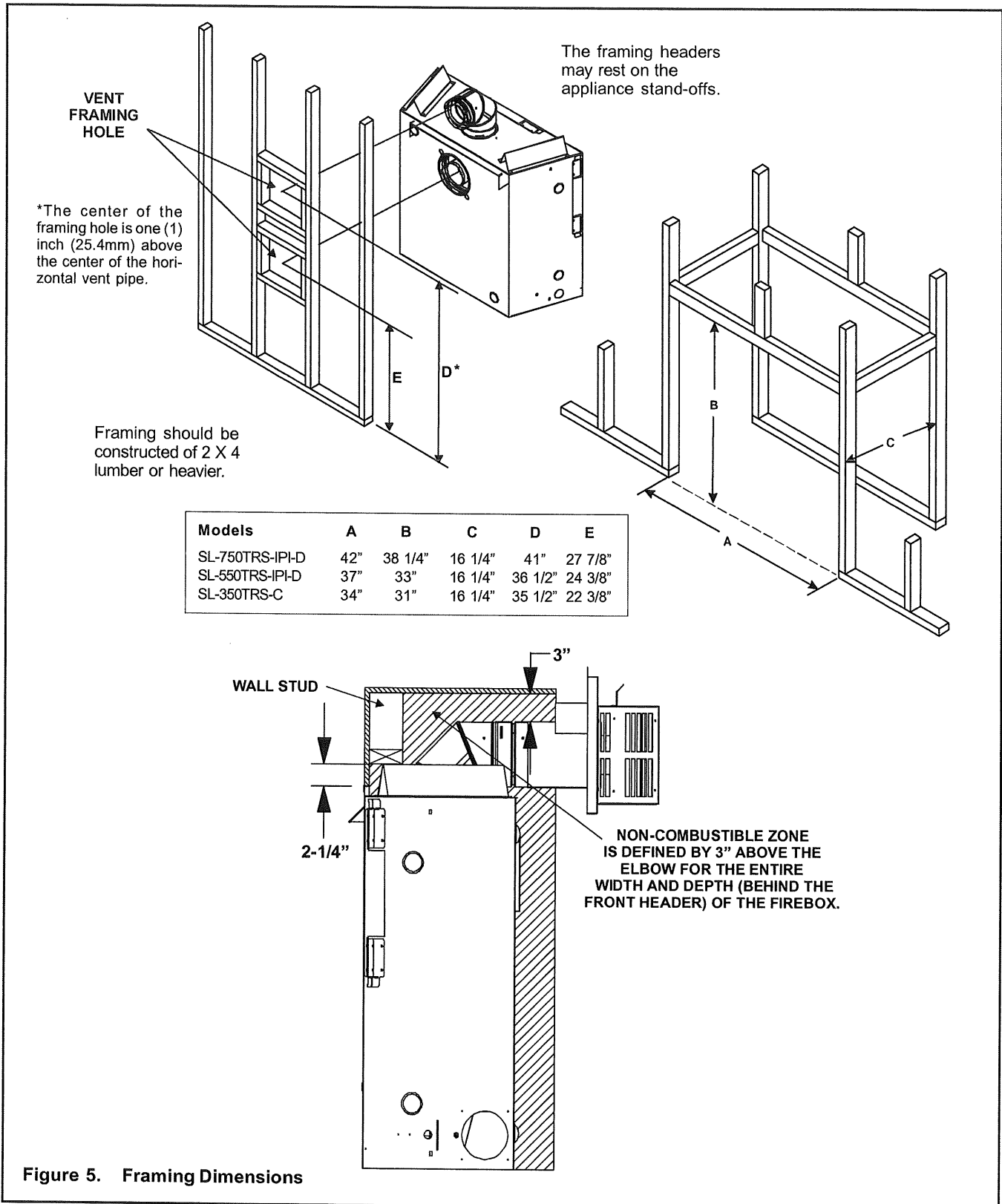
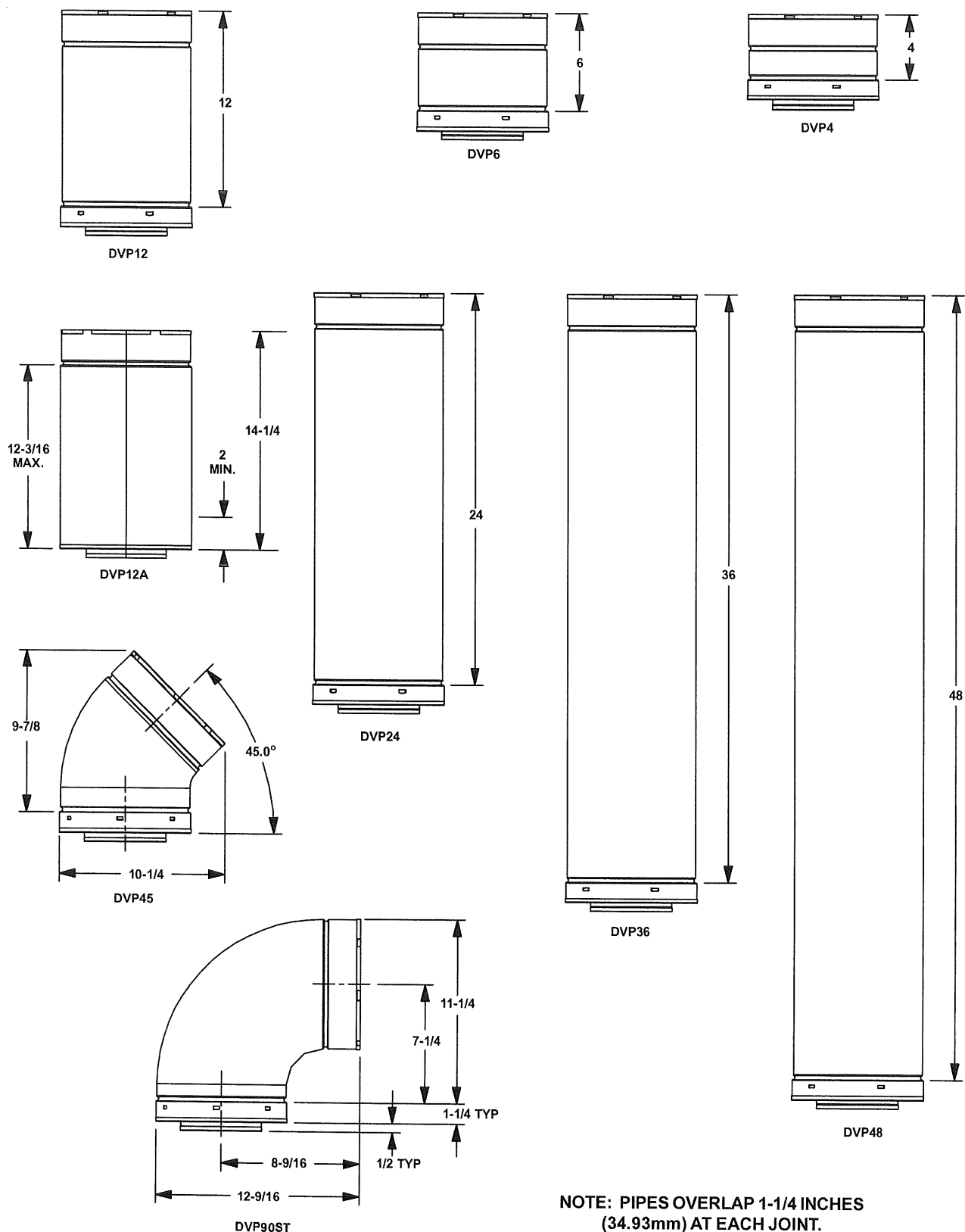
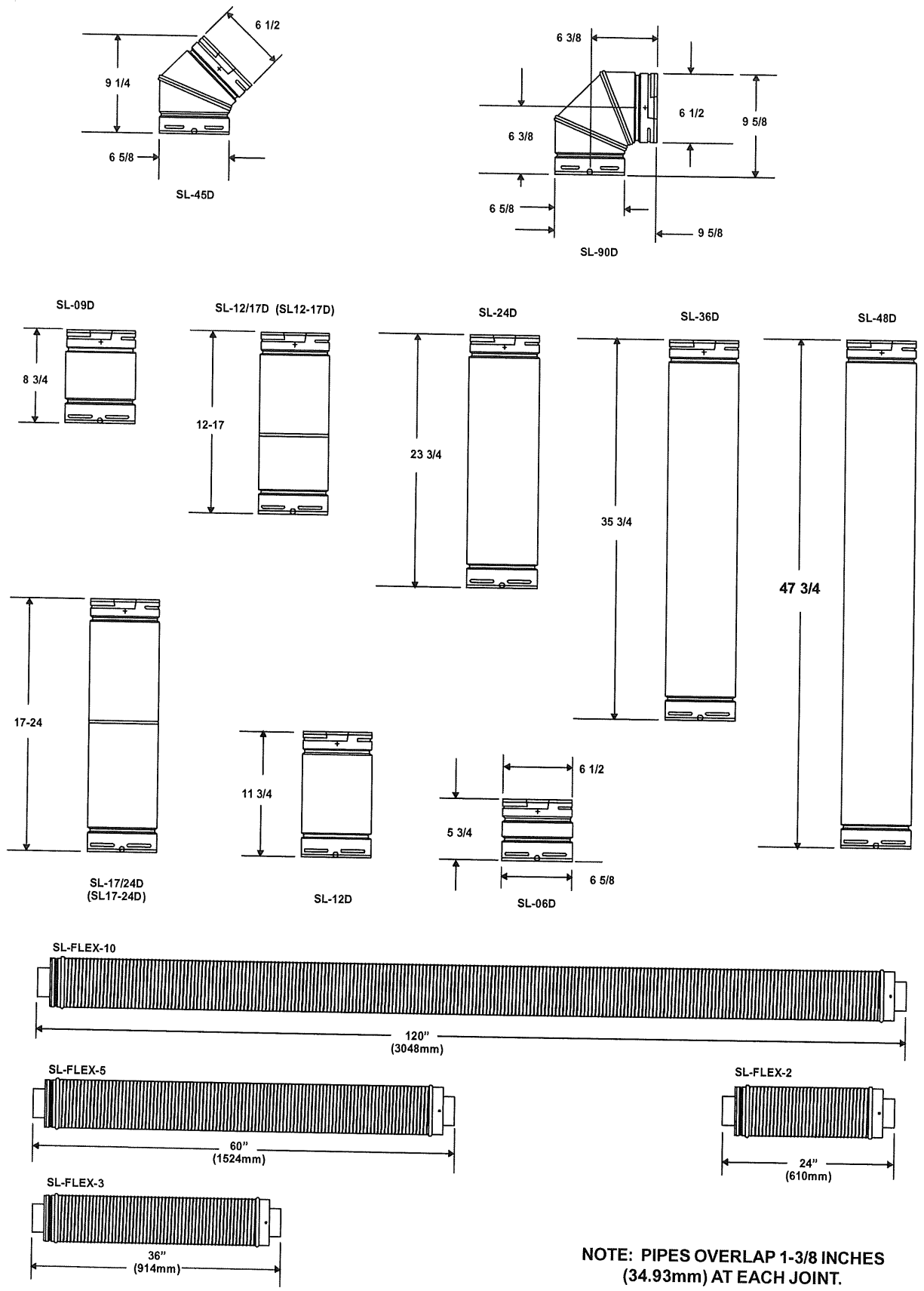


Figure 5. Framing Dimensions



NOTE: PIPES OVERLAP 1-1/4 INCHES (34.93mm) AT EACH JOINT.

Figure 6. DVP-Series Direct Vent Component Specifications (5-inch inner pipe / 8-inch outer pipe)



NOTE: PIPES OVERLAP 1-3/8 INCHES (34.93mm) AT EACH JOINT.

Figure 7. SL D-Series Direct Vent Component Specifications (4-inch inner pipe / 6 5/8-inch outer pipe)

Step 3. Installing the Vent System

A. Vent System Approvals

These models have vent starting collars on both the top and the back of the unit. Depending upon the installation, decide which ONE set of starting collars will be used to attach the vent system. The starting collar sealing cap must remain on the starting collar NOT used.

These models use SL-D-series, direct vent components when using the **TOP** vent collars. This pipe is tested and listed as an approved component of the appliance. The pipe is tested to be run inside an enclosed wall. There is no requirement for inspection openings at each joint within the wall. There is no required pitch for horizontal vent runs.

These models also use DVP-series direct vent components when using the **REAR** vent collars.

The flame and ember appearance may vary based on the type of fuel burned and the venting configuration used.



WARNING: YOU MUST NOT MIX DVP-SERIES AND SL D-SERIES COMPONENTS IN ANY VENT SYSTEM CONFIGURATION.

Identifying Vent Components

Approved vent system components are labeled for identification. **NO OTHER VENTING SYSTEMS OR COMPONENTS MAY BE USED.** Detailed installation instructions are included with each vent termination kit and should be used in conjunction with this *Installers Guide*. Figure 8 shows vent system components and terminations.

The vent systems installed on this gas appliance may include one, two, or three 90° elbow assemblies. The relationships of vertical rise to horizontal run in vent configurations using 90° elbows **MUST BE** strictly adhered to. The rise to run relationships are shown in the venting drawings and tables. Refer to the diagrams on the next several pages.

NOTE: Two 45° elbows may be used in place of one 90° elbow. Maximum and minimum rise to run ratios must always be maintained in the vent system when using 45° elbows.

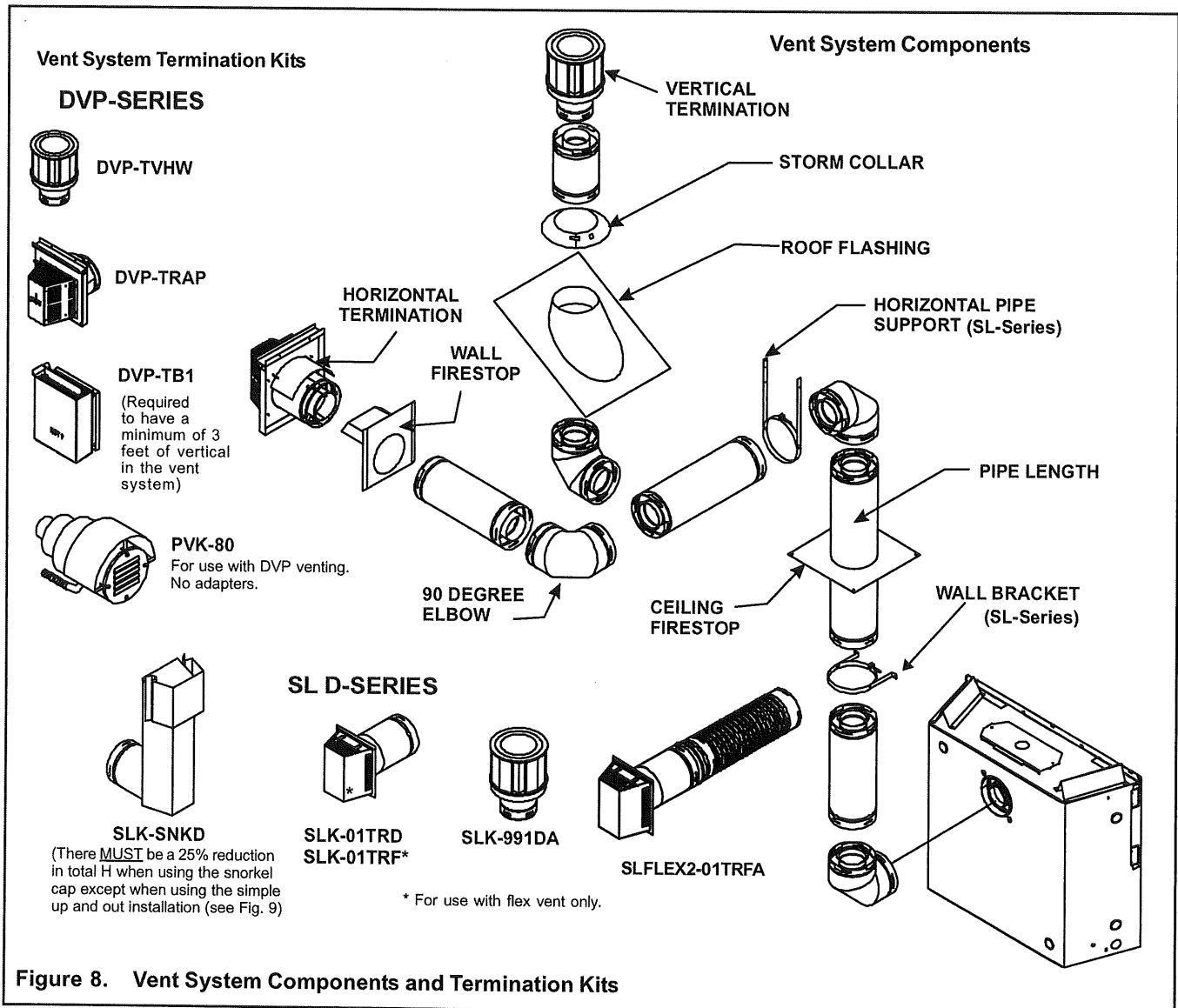


Figure 8. Vent System Components and Termination Kits

Flex Vent

The flex vent must be supported with the spacing between support intervals not exceeding 4 feet, with no more than 1/2 inch sag between supports.

A support is required at each change in venting direction, and in any location where it is necessary to maintain the necessary clearance to combustibles. A simple "up and out" installation (Figure 9) requires only enough support to maintain the necessary clearance to combustibles. However, the vent attachment point and the firestop location are considered to be supports.

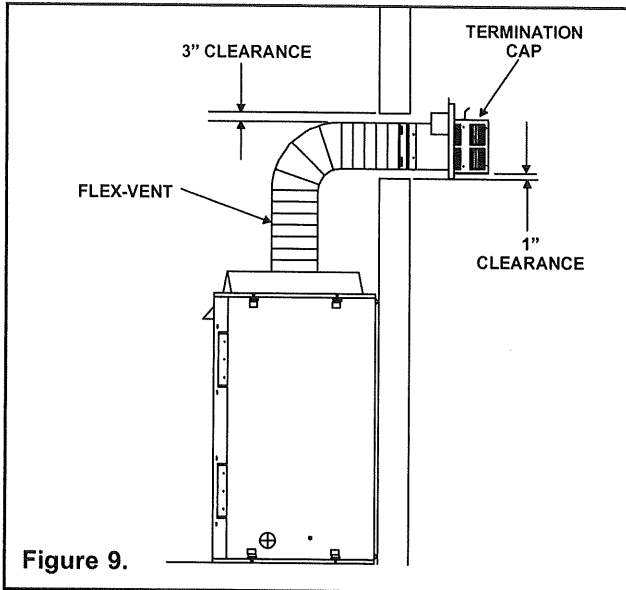


Figure 9.

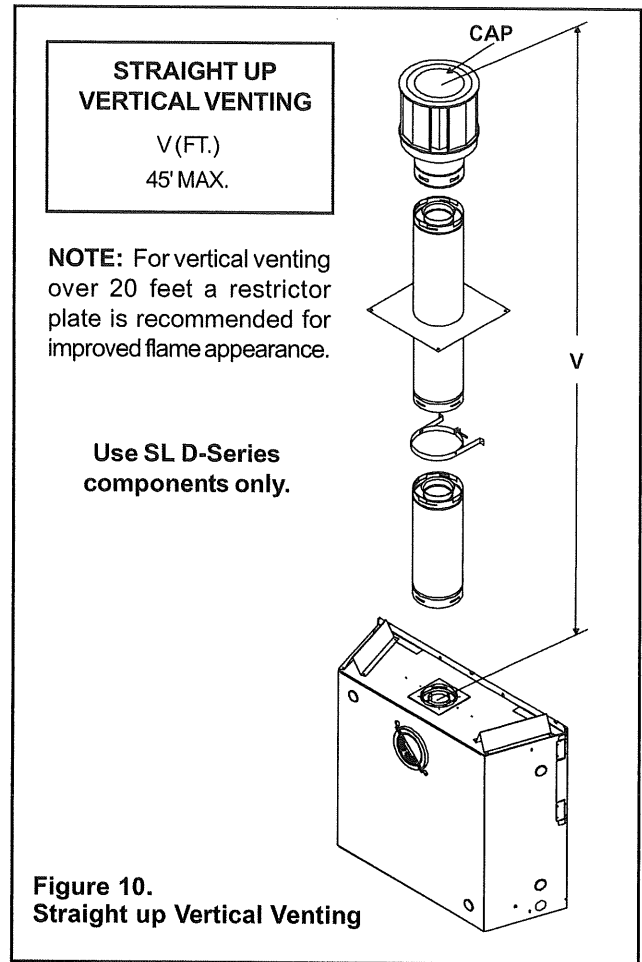


Figure 10.
Straight up Vertical Venting

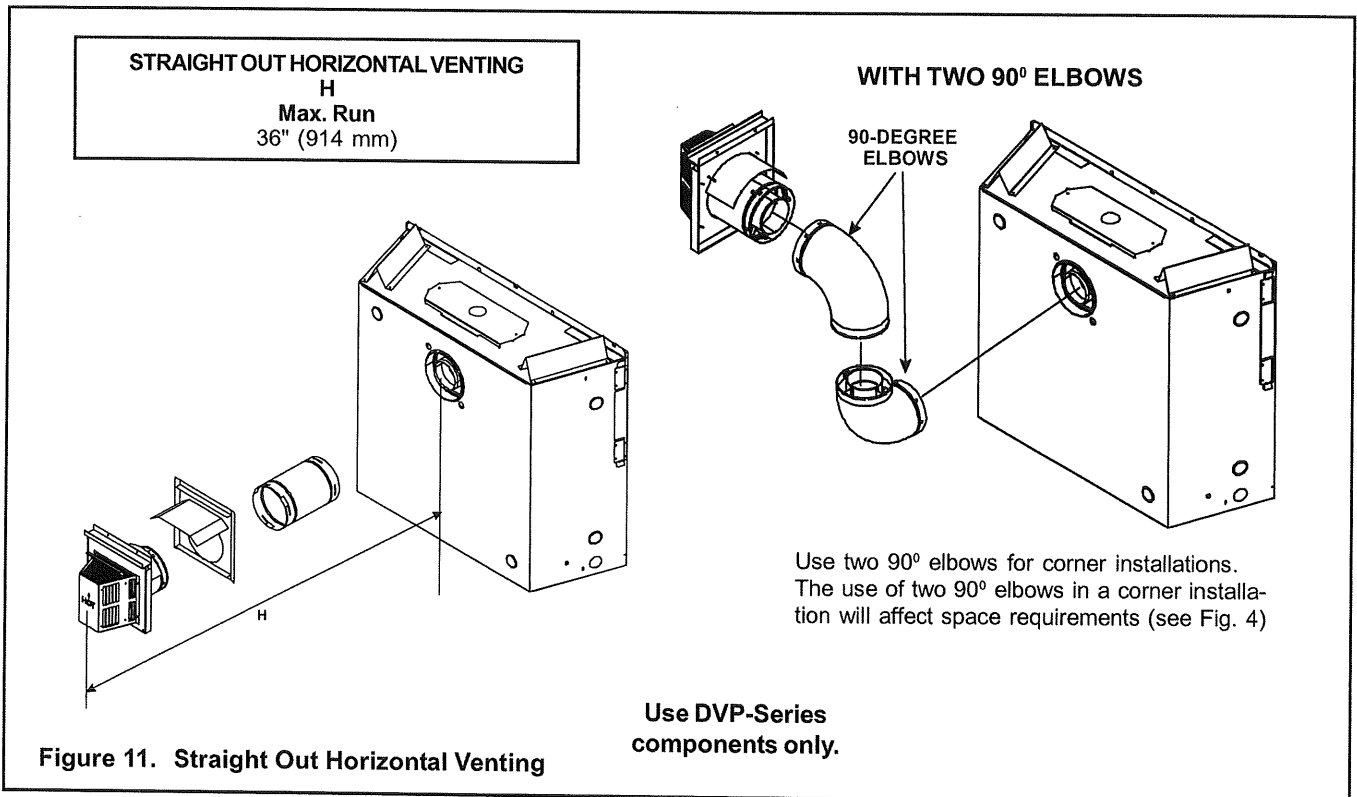


Figure 11. Straight Out Horizontal Venting

Use DVP-Series components only.

V	H
1' MIN. (305mm)	2' MAX. (610mm)
2' MIN. (610mm)	4' MAX. (1.22m)
3' MIN. (914mm)	6' MAX. (1.86m)
4' MIN. (1.22m)	8' MAX. (2.4m)
V+H=40' MAX. (12.4m)	
H = 8' MAX. (2.4m)	

Use DVP-Series components only.

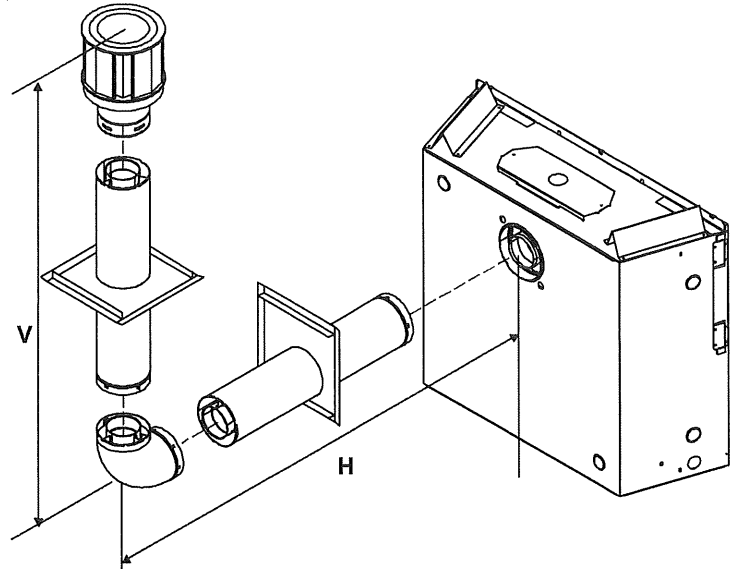
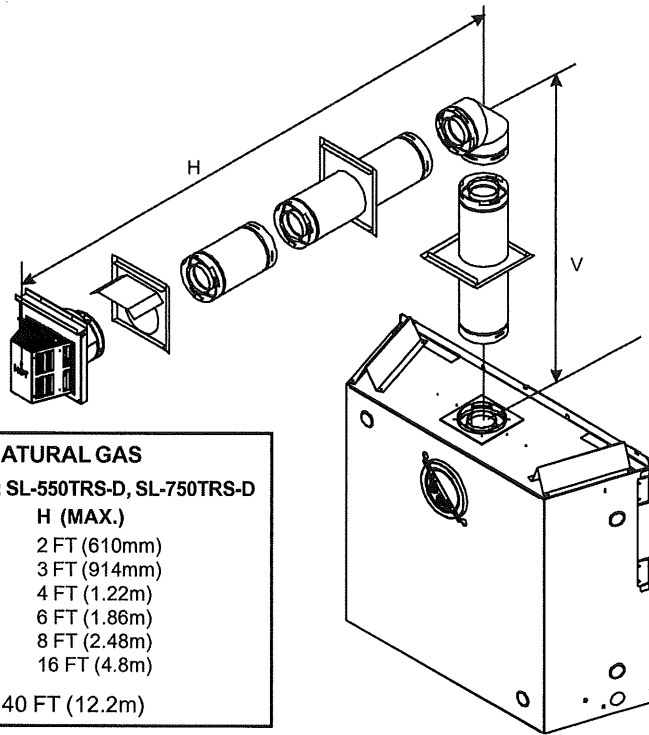


Figure 12. Venting with One 90° Elbow

Use SL D-Series components only.



VENTING WITH ONE (1) 90° ELBOW NATURAL GAS	
V (MIN.)	H (MAX.)
90° Elbow on Top	2.5 FT (762mm)
1 FT (305mm)	3 FT (914mm)
2 FT (610mm)	4 FT (1.22m)
3 FT (914mm)	6 FT (1.86m)
4 FT (1.22m)	8 FT (2.48m)
5 FT (1.52m)	16 FT (4.8m)
H MAX. = 16 FT (4.8m)	
V + H MAX. = 40 FT (12.2m)	

VENTING WITH ONE (1) 90° ELBOW PROPANE	
V (MIN.)	H (MAX.)
90° Elbow on Top	NOT ALLOWED
1 FT (305mm)	2 FT (610mm)
2 FT (610mm)	4 FT (1.22m)
3 FT (914mm)	6 FT (1.86m)
4 FT (1.22m)	8 FT (2.48m)
5 FT (1.52m)	16 FT (4.8m)
H MAX. = 16 FT (4.8m)	
V + H MAX. = 40 FT (12.2m)	

NOTE: There **MUST** be a 25% reduction in total H when using flex vent except when using the simple up and out installation (see Figure 9).

Figure 13. Venting with One 90° Elbow

V	H	H + H ₁
1' MIN. (305 mm)	2' MAX. (610 mm)	4' MAX. (1.22m)
2' MIN. (610 mm)	4' MAX. (1.22 m)	8' MAX. (2.4m)
3' MIN. (914 mm)	6' MAX. (1.86 m)	12' MAX. (3.6m)
4' MIN. (1.22 m)	8' MAX. (2.48 m)	16' MAX. (4.8m)
V+H+H ₁ = 40' MAX. (12.4 m)		
H = 8' MAX. (2.48 m)		
H+H ₁ = 16' MAX. (4.8m)		

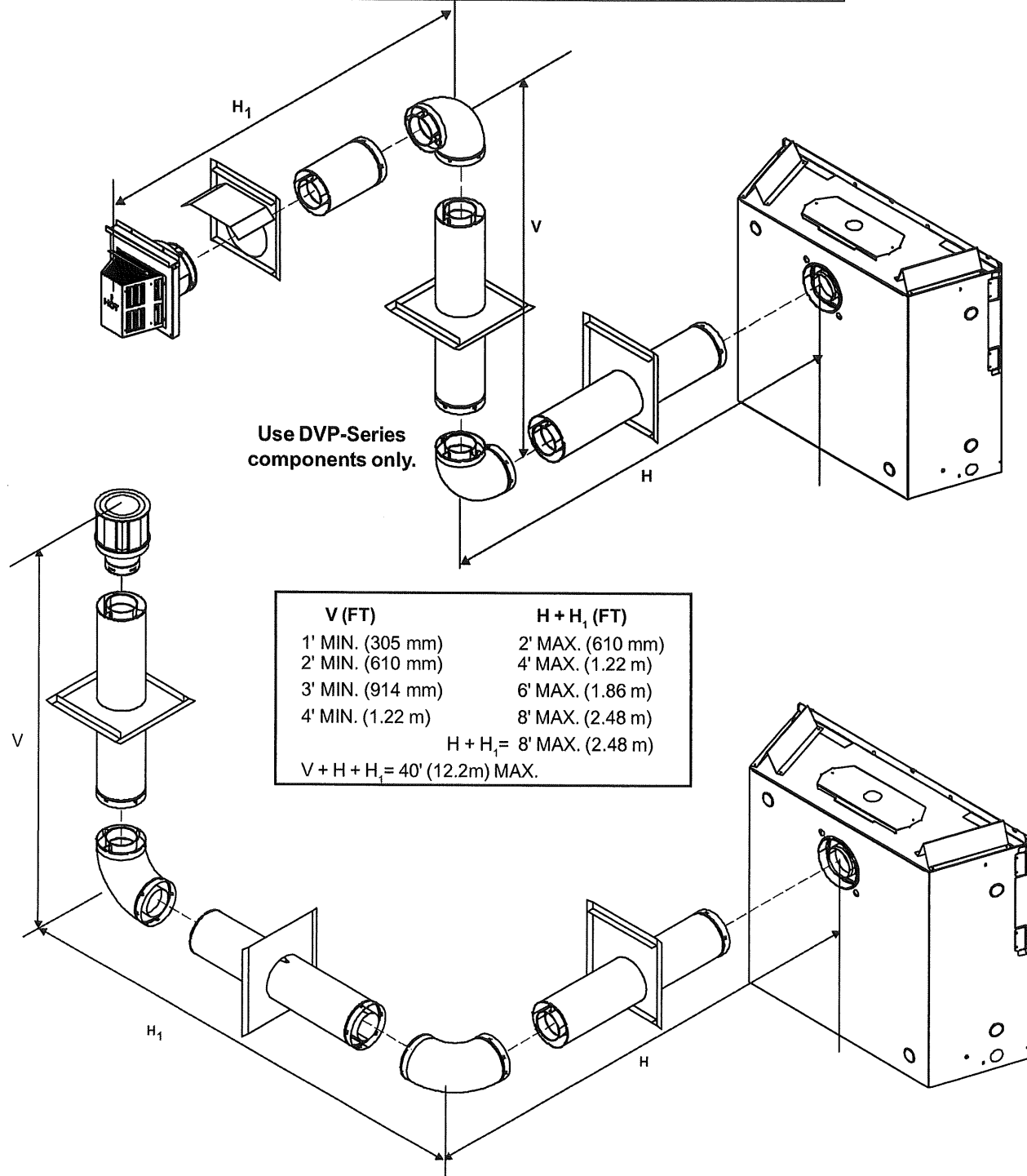


Figure 14. Venting with Two 90° Elbows

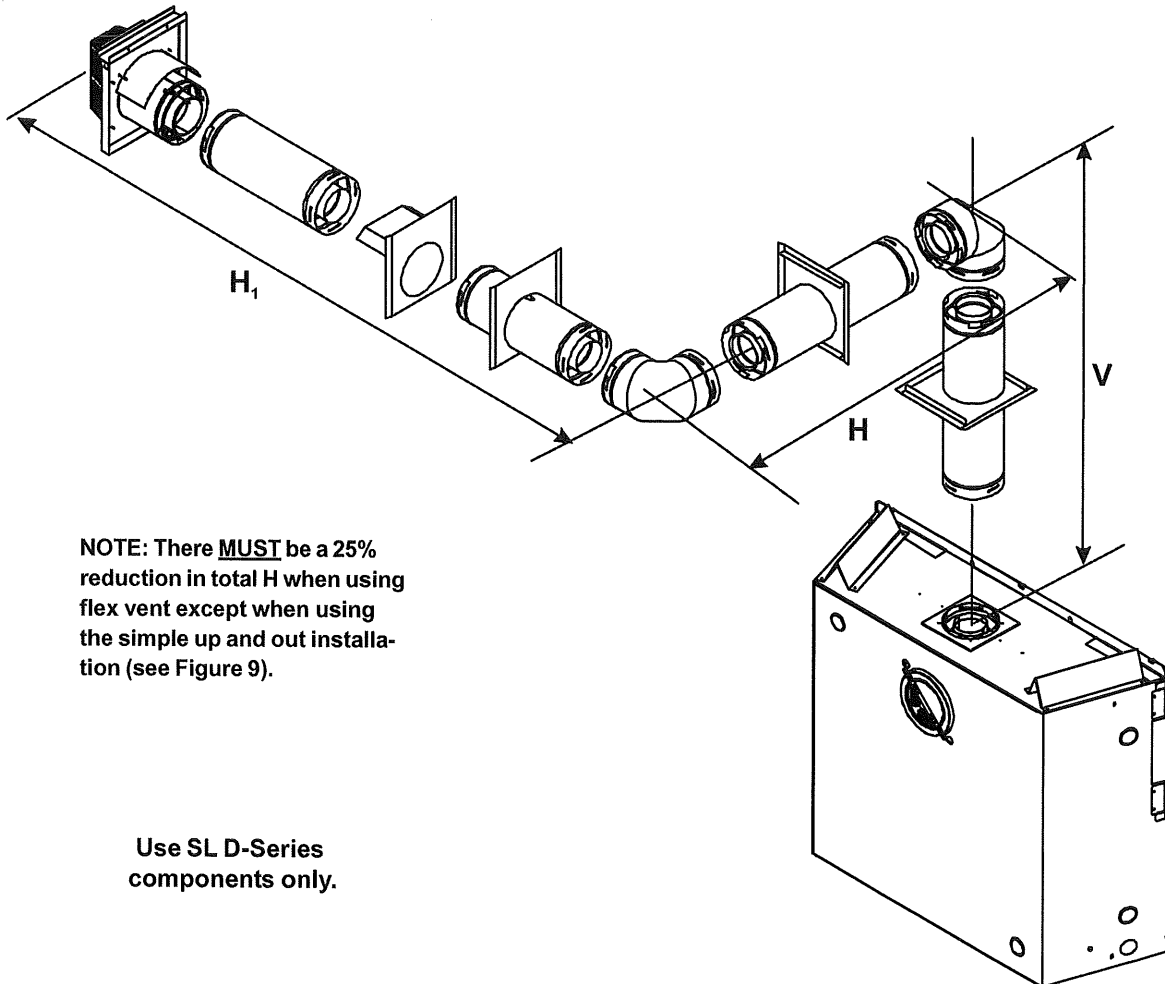
VENTING WITH TWO (2) 90° ELBOWS NATURAL GAS

V (MIN.)	MODEL: SL-350TRS-C	MODELS: SL-550TRS-D, SL-750TRS-D
	H + H ₁ (MAX.)	H + H ₁ (MAX.)
90° Elbow on Top	2.5 FT (762mm)	2 FT (610mm)
1 FT (305mm)	3 FT (914mm)	3 FT (914mm)
2 FT (610mm)	4 FT (1.22m)	4 FT (1.22m)
3 FT (914mm)	6 FT (1.86m)	6 FT (1.86m)
4 FT (1.22m)	8 FT (2.48m)	8 FT (2.48m)
5 FT (1.52m)	16 FT (4.8m)	16 FT (4.8m)
H + H ₁ MAX. = 16 FT (4.8m)		V + H + H ₁ MAX. = 40 FT (12.2m)

VENTING WITH TWO (2) 90° ELBOWS PROPANE

MODELS: SL-350TRS-C, SL-550TRS-D, SL-750TRS-D

V (MIN.)	H + H ₁ (MAX.)
90° Elbow on Top	NOT ALLOWED
1 FT (305mm)	2 FT (610mm)
2 FT (610mm)	4 FT (1.22m)
3 FT (914mm)	6 FT (1.86m)
4 FT (1.22m)	8 FT (2.48m)
5 FT (1.52m)	16 FT (4.8m)
H + H ₁ MAX. = 16 FT (4.8m)	
V + H + H ₁ MAX. = 40 FT (12.2m)	



NOTE: There MUST be a 25% reduction in total H when using flex vent except when using the simple up and out installation (see Figure 9).

Use SL D-Series components only.

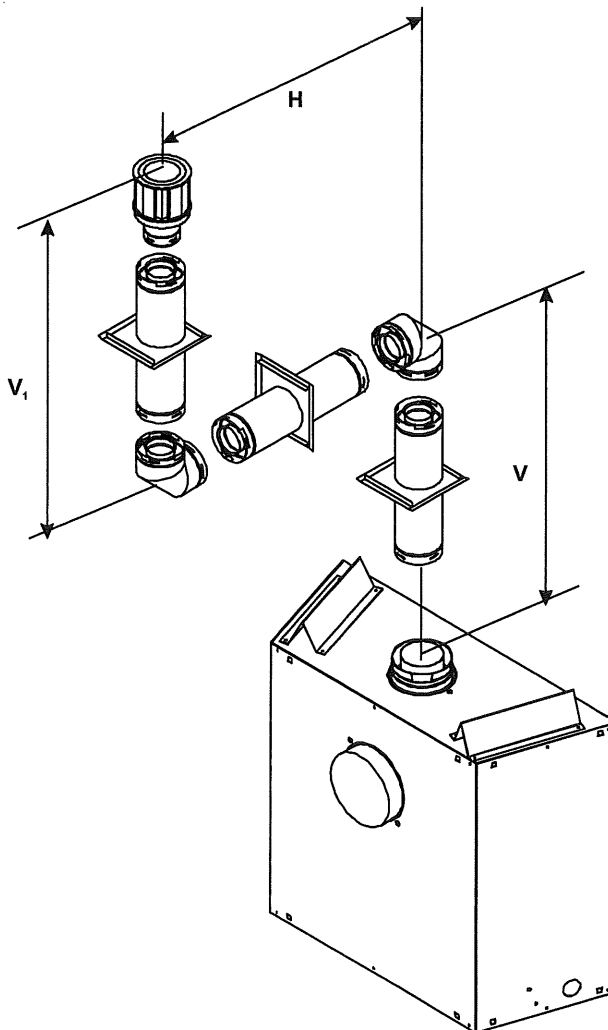
Figure 15. Venting with Two 90° Elbows

VENTING WITH TWO (2) 90° ELBOWS NATURAL GAS

V (MIN.)	MODEL: SL-350TRS-C H (MAX.)	MODELS: SL-550TRS-D, SL-750TRS-D H (MAX.)
90° Elbow on Top	2.5 FT (762mm)	2 FT (610mm)
1 FT (305mm)	3 FT (914mm)	3 FT (914mm)
2 FT (610mm)	4 FT (1.22m)	4 FT (1.22m)
3 FT (914mm)	6 FT (1.86m)	6 FT (1.86m)
4 FT (1.22m)	8 FT (2.48m)	8 FT (2.48m)
5 FT (1.52m)	16 FT (4.8m)	16 FT (4.8m)
H MAX. = 16 FT (4.8m)		V + V ₁ + H MAX. = 40 FT (12.2m)

VENTING WITH TWO (2) 90° ELBOWS PROPANE

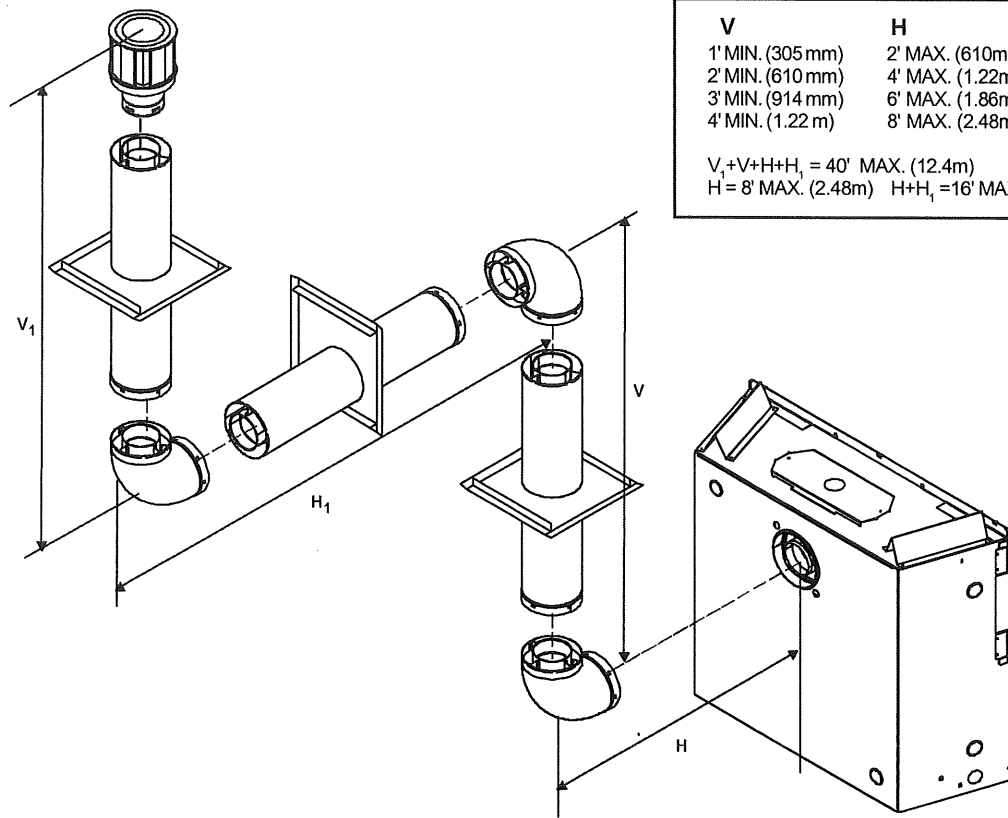
V (MIN.)	MODELS: SL-350TRS-C, SL-550TRS-D, SL-750TRS-D H (MAX.)
90° Elbow on Top	NOT ALLOWED
1 FT (305mm)	2 FT (610mm)
2 FT (610mm)	4 FT (1.22m)
3 FT (914mm)	6 FT (1.86m)
4 FT (1.22m)	8 FT (2.48m)
5 FT (1.52m)	16 FT (4.8m)
H MAX. = 16 FT (4.8m)	
V + V ₁ + H MAX. = 40 FT (12.2m)	



NOTE: There **MUST** be a 25% reduction in total H when using flex vent except when using the simple up and out installation (see Figure 9).

Use SL D-Series components only.

Figure 16. Venting with Two 90° Elbows

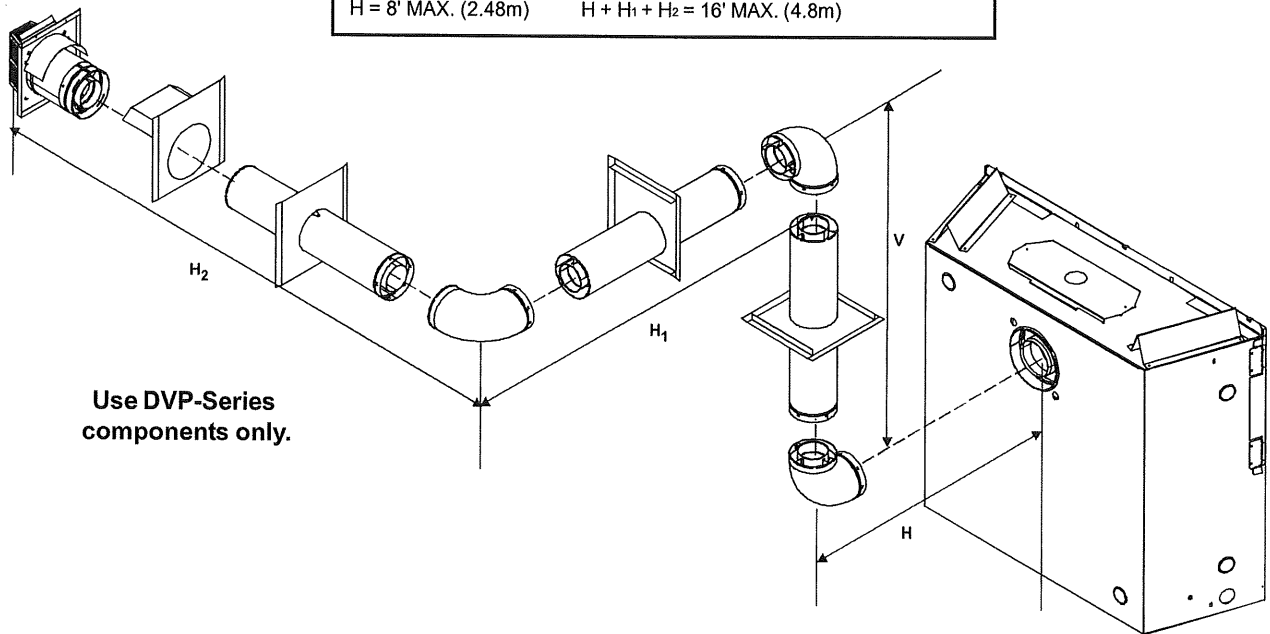


V	H	H + H ₁
1' MIN. (305 mm)	2' MAX. (610 mm)	4' MAX. (1.22 m)
2' MIN. (610 mm)	4' MAX. (1.22 m)	8' MAX. (2.48 m)
3' MIN. (914 mm)	6' MAX. (1.86 m)	12' MAX. (3.72 m)
4' MIN. (1.22 m)	8' MAX. (2.48 m)	16' MAX. (4.8 m)

$V_1 + V + H + H_1 = 40'$ MAX. (12.4 m)
 $H = 8'$ MAX. (2.48 m) $H + H_1 = 16'$ MAX. (4.8 m)

V	H	H + H ₁ + H ₂
1' MIN. (305 mm)	2' MAX. (610 mm)	4' MAX. (1.22 m)
2' MIN. (610 mm)	4' MAX. (1.22 m)	8' MAX. (2.48 m)
3' MIN. (914 mm)	6' MAX. (1.86 m)	12' MAX. (3.72 m)
4' MIN. (1.22 m)	8' MAX. (2.48 m)	16' MAX. (4.8 m)

$V + H + H_1 + H_2 = 40'$ MAX. (12.4 m)
 $H = 8'$ MAX. (2.48 m) $H + H_1 + H_2 = 16'$ MAX. (4.8 m)



Use DVP-Series components only.

Figure 17. Venting with Three 90° elbows

VENTING WITH THREE (3) 90° ELBOWS NATURAL GAS

V (MIN.)	MODEL: SL-350TRS-C		MODELS: SL-550TRS-D, SL-750TRS-D	
	H (MAX.)	H + H ₁ (MAX.)	H (MAX.)	H + H ₁ (MAX.)
90° Elbow on Top	2.5 FT (762mm)	4 FT (1.22m)	2 FT (610mm)	4 FT (1.22m)
1 FT (305mm)	3 FT (914mm)	6 FT (1.86m)	3 FT (914mm)	6 FT (1.86m)
2 FT (610mm)	4 FT (1.22m)	8 FT (2.48m)	4 FT (1.22m)	8 FT (2.48m)
3 FT (914mm)	6 FT (1.86m)	12 FT (3.72m)	6 FT (1.86m)	12 FT (3.72m)
4 FT (1.22m)	8 FT (2.48m)	16 FT (4.8m)	8 FT (2.48m)	16 FT (4.8m)
5 FT (1.52m)	16 FT (4.8m)	16 FT (4.8m)	16 FT (4.8m)	16 FT (4.8m)

$V + H + V_1 + H_1 \text{ MAX.} = 40 \text{ FT (12.2m)}$

VENTING WITH THREE (3) 90° ELBOWS PROPANE

MODELS: SL-350TRS-C, SL-550TRS-D, SL-750TRS-D

V (MIN.)	H (MAX.)	H + H ₁ (MAX.)
90° Elbow on Top	NOT ALLOWED	NOT ALLOWED
1 FT (305mm)	2 FT (610mm)	4 FT (1.22m)
2 FT (610mm)	4 FT (1.22m)	8 FT (2.48m)
3 FT (914mm)	6 FT (1.86m)	12 FT (3.72m)
4 FT (1.22m)	8 FT (2.48m)	16 FT (4.8m)
5 FT (1.52m)	16 FT (4.8m)	16 FT (4.8m)

$V + H + V_1 + H_1 \text{ MAX.} = 40 \text{ FT (12.2m)}$

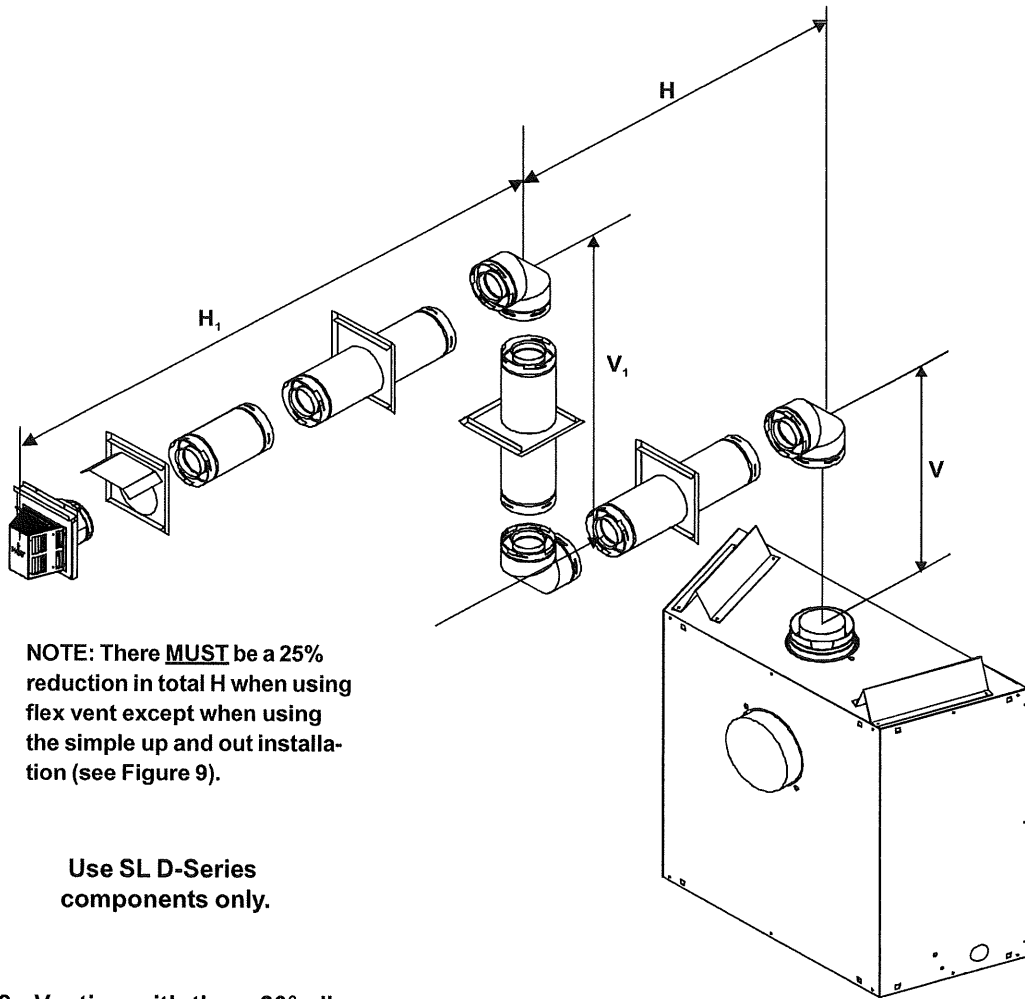
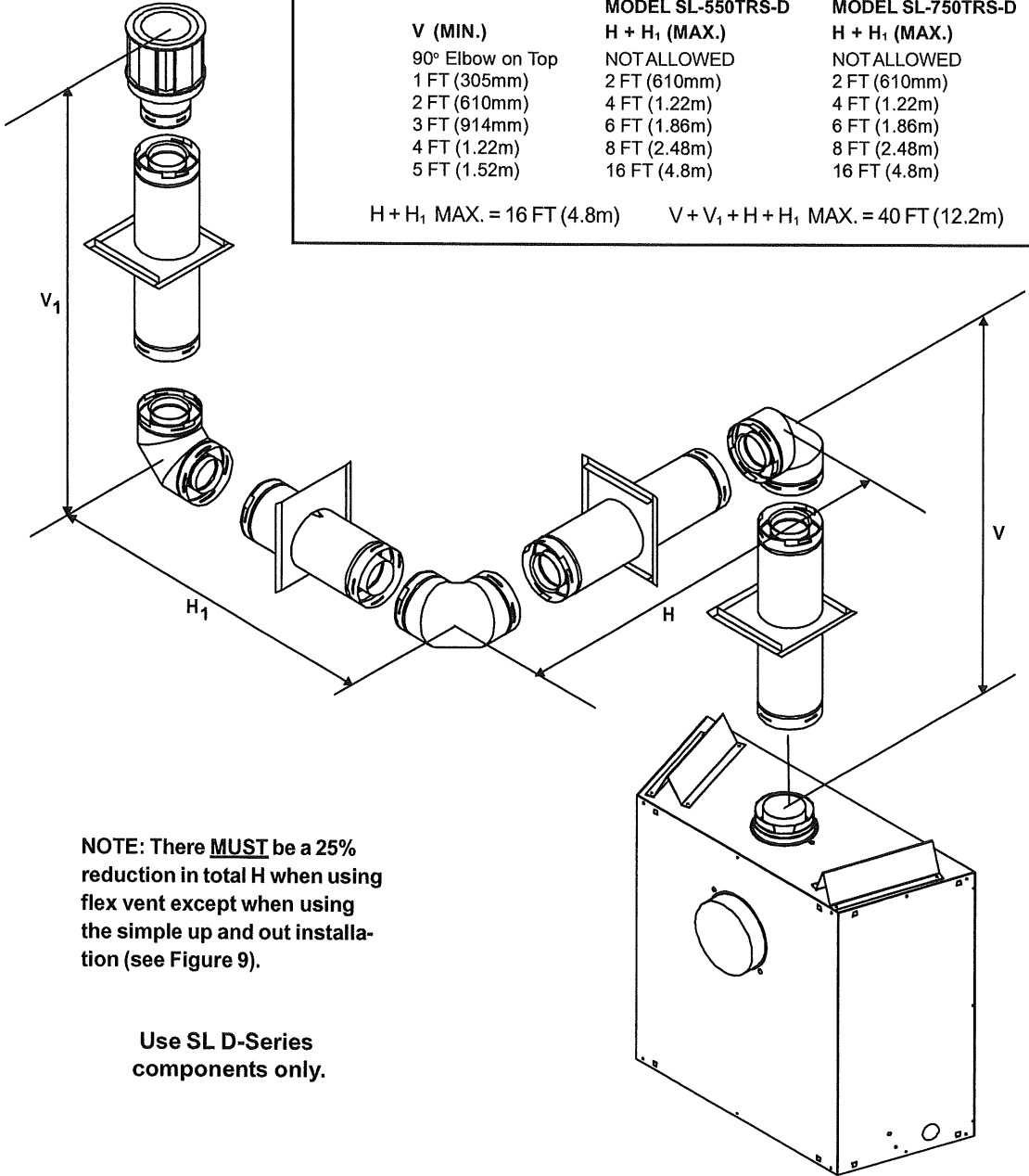


Figure 18. Venting with three 90° elbows

VENTING WITH THREE (3) 90° ELBOWS		NATURAL GAS
	MODEL SL-550TRS-D	MODEL SL-750TRS-D
V (MIN.)	H + H ₁ (MAX.)	H + H ₁ (MAX.)
90° Elbow on Top	2 FT (610mm)	2 FT (610mm)
1 FT (305mm)	3 FT (914mm)	3 FT (914mm)
2 FT (610mm)	4 FT (1.22m)	4 FT (1.22m)
3 FT (914mm)	6 FT (1.86m)	6 FT (1.86m)
4 FT (1.22m)	8 FT (2.48m)	8 FT (2.48m)
5 FT (1.52m)	16 FT (4.8m)	16 FT (4.8m)
H + H ₁ MAX. = 16 FT (4.8m)		V + V ₁ + H + H ₁ MAX. = 40 FT (12.2m)

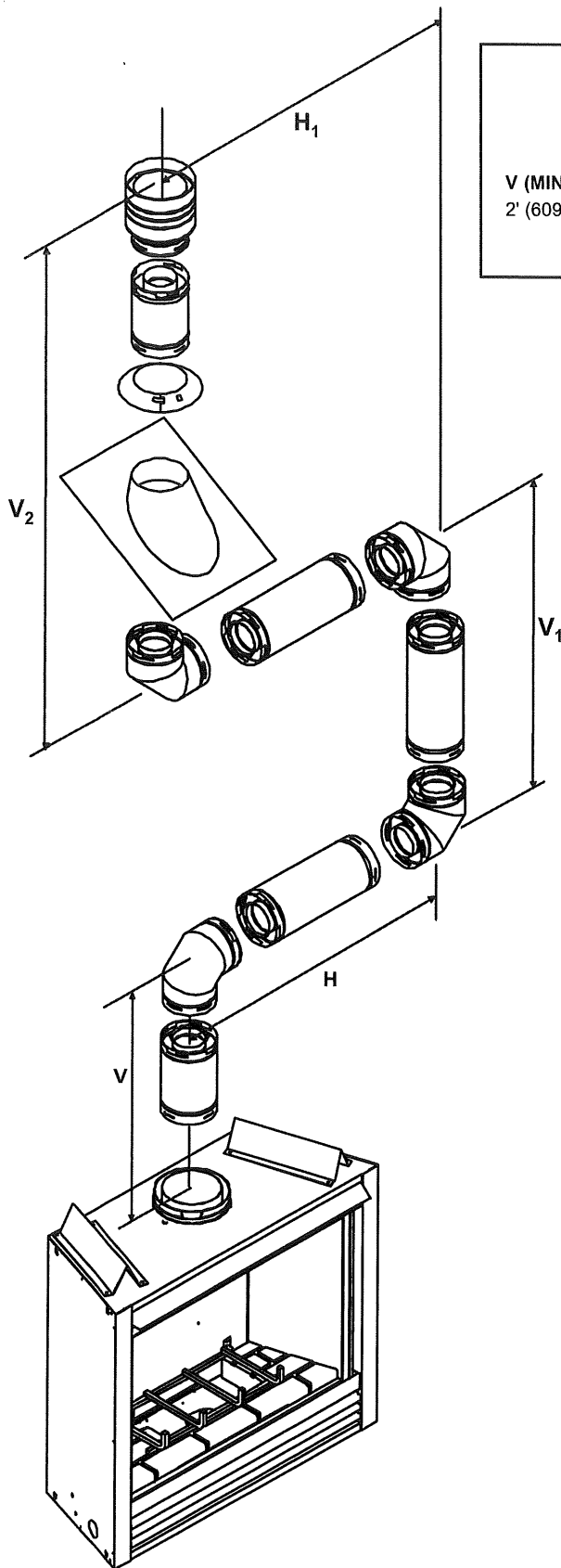
VENTING WITH THREE (3) 90° ELBOWS		PROPANE
	MODEL SL-550TRS-D	MODEL SL-750TRS-D
V (MIN.)	H + H ₁ (MAX.)	H + H ₁ (MAX.)
90° Elbow on Top	NOT ALLOWED	NOT ALLOWED
1 FT (305mm)	2 FT (610mm)	2 FT (610mm)
2 FT (610mm)	4 FT (1.22m)	4 FT (1.22m)
3 FT (914mm)	6 FT (1.86m)	6 FT (1.86m)
4 FT (1.22m)	8 FT (2.48m)	8 FT (2.48m)
5 FT (1.52m)	16 FT (4.8m)	16 FT (4.8m)
H + H ₁ MAX. = 16 FT (4.8m)		V + V ₁ + H + H ₁ MAX. = 40 FT (12.2m)



NOTE: There **MUST** be a 25% reduction in total H when using flex vent except when using the simple up and out installation (see Figure 9).

Use SL D-Series components only.

Figure 19. Venting with three 90° elbows



VENTING WITH FOUR (4) 90° ELBOWS
NATURAL AND PROPANE GAS

V (MIN.)	H (MAX.)	V ₁ (MIN.)	H ₁ (MAX.)	V ₂ (MIN.)
2' (609mm)	5' (1.52m)	5' (1.52m)	5' (1.52m)	4.5' (1.37m)
V + V ₁ + V ₂ + H + H ₁ MAX. = 40' (12.2m)				

Use SL D-Series components only.

NOTE: There MUST be a 25% reduction in total H when using flex vent except when using the simple up and out installation (see Figure 9).

Figure 20. Venting with Four 90° elbows

B. Installing Vent Components

After determining which set of starting collars will be used (top or rear), follow venting instructions accordingly.

NOTE: The SL-350TRS-C and SL-350TRS-C LP are built with the air shutter set for top vented configurations. If venting out the rear of the unit adjust the air shutter per the table in Step 10.

Venting Out the Rear Vent (See Figure 21)

Remove the installed rear seal cap from the rear starting collars by cutting the strap at each end. Remove the insulation inside the 5" collar. Follow the vent configuration tables accordingly.

Remove the 5" diameter heat shield from the 5" diameter collar by sliding it out.

WARNING: THE TOP HEAT SHIELD (INSIDE THE FIREBOX) MUST REMAIN ATTACHED IF THE VENT SYSTEM IS ATTACHED TO THE REAR STARTING COLLARS. SEE FIGURE 21.

Venting Out the Top Vent

Remove the top vent collar seal cap by cutting the strap at each end. Remove the insulation inside **BOTH** the 4" diameter and 6 5/8" diameter collars. (See Figure 21).

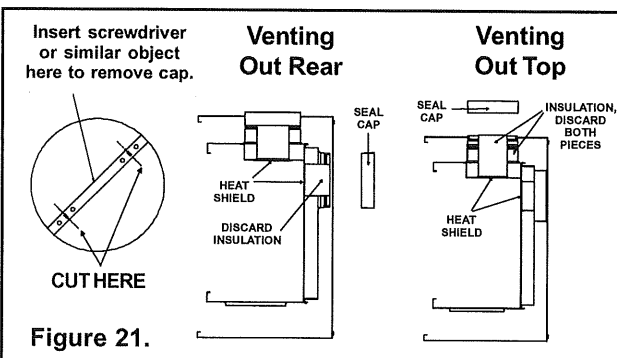
Remove the 4" diameter heat shield from the 4" diameter collar by sliding it out.

You have to take the glass off for positioning the logs when the unit is finally installed in place and finished around it. Attach vent system to the top starting collars.

WARNING: THE REAR VENT COLLAR SEAL CAP MUST REMAIN ATTACHED TO THE REAR VENT COLLARS IF THE VENT SYSTEM IS ATTACHED TO THE TOP STARTING COLLARS. SEE FIGURE 21.

WARNING: FAILURE TO REMOVE INSULATION IN THE SET OF COLLARS YOU ARE USING COULD NEGATIVELY AFFECT APPLIANCE PERFORMANCE.

WARNING: YOU MUST LEAVE THE INSULATION IN PLACE IN THE SET OF COLLARS YOU ARE NOT USING. FAILURE TO DO THIS COULD CAUSE A FIRE.



DVP Series Venting Only:

1. Attaching the Venting to the Appliance

Refer to Cinch Pipe and Termination Cap installation instructions.

WARNING: ENSURE THAT THE FIBERGLASS GASKET SUPPLIED WITH THE APPLIANCE SEALS BETWEEN THE FIRST VENT COMPONENT AND THE OUTER APPLIANCE WRAP.

If the installation is for a termination cap attached directly to the appliance, skip to the sections, **Install Firestops** and **Vent Termination**.

2. Continue Adding Vent Components

Refer to Cinch Pipe and Termination Cap installation instructions.

- Continue adding vent components, locking each succeeding component into place.
- Ensure that each succeeding vent component is securely fitted and locked into the preceding component in the vent system.
- 90° elbows may be installed and rotated to any point around the preceding component's vertical axis. If an elbow does not end up in a locked position with the preceding component, attach with a minimum of two (2) sheet metal screws.

3. Install Support Brackets

Refer to Cinch Pipe and Termination Cap installation instructions.

Go to Step 4 Install Firestops.

SL-D and SL-Flex Series Venting Only:

1. Attach the First Vent Component to the Starting Collars

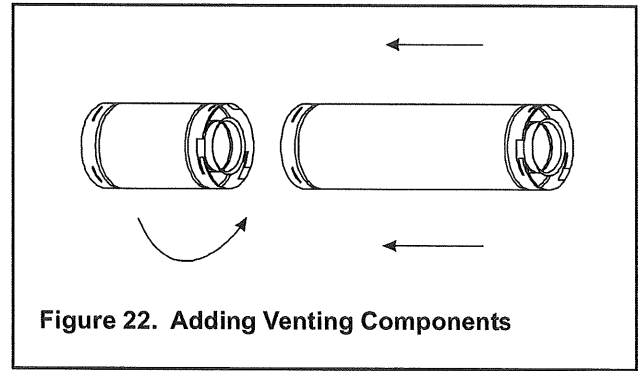
To attach the first vent component to the starting collars of the appliance:

- Lock the vent components into place by sliding the concentric pipe sections with four (4) equally spaced interior beads into the appliance collar or previously installed component end with four (4) equally spaced indented sections.
- When the internal beads of each outer pipe line up, rotate the pipe section clockwise about one-quarter (1/4) turn. The vent pipe is now locked together.
- Slide the ceramic fiber pad over the first vent section and place it flush to the appliance (see Figure 1). This will prevent cold air infiltration. High temp caulk may be used to hold the part in place. Continue to add vent components.

If the installation is for a termination cap attached directly to the appliance, skip to the sections, **Install Firestops** and **Vent Termination**.

2. Continue Adding Vent Components

- Continue adding vent components, locking each succeeding component into place.
- Ensure that each succeeding vent component is securely fitted and locked into the preceding component.
- 90° elbows may be installed and rotated to any point around the preceding component's vertical axis. If an elbow does not end up in a locked position with the preceding component, attach with a minimum of two (2) sheet metal screws.



3. Install Support Brackets

For Horizontal Runs - The vent system must be supported every five (5) feet of horizontal run by a horizontal pipe support.

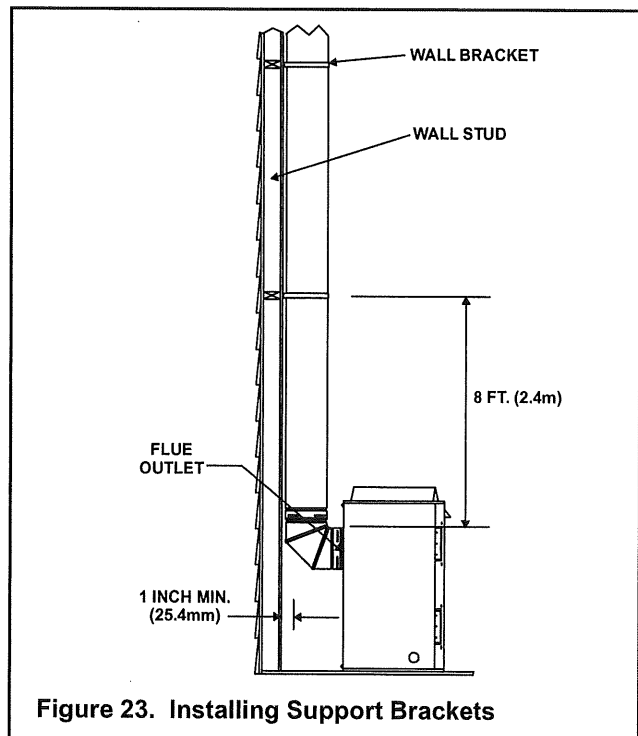
To install support brackets for horizontal runs:

- Place the pipe supports around the vent pipe.
- Nail the pipe supports to the framing members.

For Vertical Runs - The vent system must be supported every eight (8) feet (2.4m) above the appliance flue outlet by wall brackets.

To install support brackets for vertical runs:

- Attach wall brackets to the vent pipe and secure the wall bracket to the framing members with nails or screws.



Go to Step 4 Install Firestops.

DVP, SL-D and SL-Flex Series Venting:

STEP 4. Install Firestops

For Horizontal Runs - Firestops are **REQUIRED** on both sides of a combustible wall through which the vent passes.

NOTE: Model DVP-TRAP or SLK-01TRD does not need an exterior firestop on an exterior combustible wall.

To install firestops for horizontal runs that pass through either interior or exterior walls:

Cut a 12" x 10" (305mm x 254mm) hole through the wall for DVP-series or a 10" x 10" (254mm x 254mm) hole for SL-D-series pipe. The center of the framing hole is one (1) inch (25.4mm) above the center of the horizontal vent pipe.

- Position the firestops on both sides of the hole previously cut and secure the firestops with nails or screws.
- The heat shields of the firestops **MUST BE** placed towards the top of the hole.
- Continue the vent run through the firestops.

NOTE: There must be NO INSULATION or other combustibles inside the framed firestop opening.

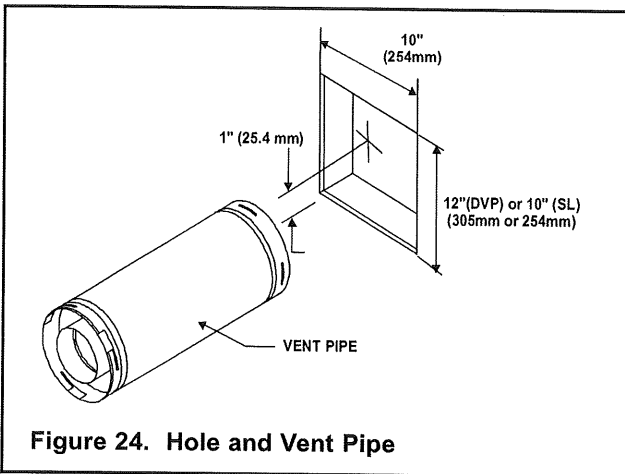


Figure 24. Hole and Vent Pipe

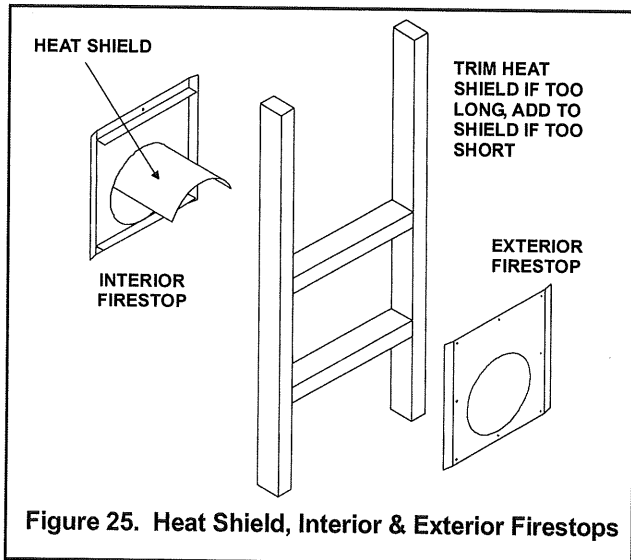


Figure 25. Heat Shield, Interior & Exterior Firestops

For Vertical Runs - One ceiling firestop is **REQUIRED** at the hole in each ceiling through which the vent passes.

To install firestops for vertical runs that pass through ceilings:

- Position a plumb bob directly over the center of the vertical vent component.
- Mark the ceiling to establish the centerpoint of the vent.
- Drill a hole or drive a nail through this centerpoint.
- Check the floor above for any obstructions, such as wiring or plumbing runs.
- Reposition the appliance and vent system, if necessary, to accommodate the ceiling joists and/or obstructions.
- Cut a 10-inch X 10-inch (254mm X 254mm) hole through the ceiling, using the centerpoint previously marked.
- Frame the hole with framing lumber the same size as the ceiling joists.

NOTE: There must be NO INSULATION or other combustibles inside the framed firestop opening.

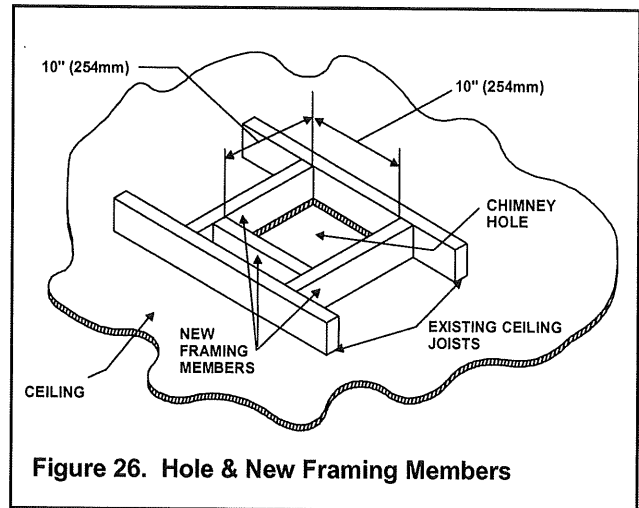


Figure 26. Hole & New Framing Members

If the area above the ceiling is **NOT** an attic, position and secure the ceiling firestop on the ceiling side of the previously cut and framed hole.

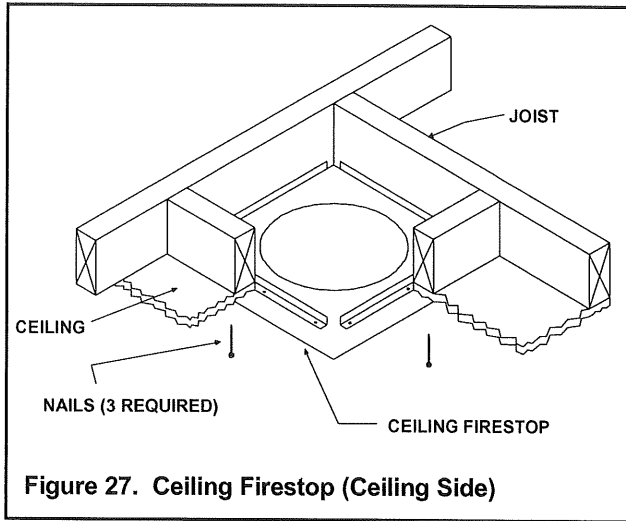


Figure 27. Ceiling Firestop (Ceiling Side)

If the area above the ceiling **IS** an attic, position and secure the firestop on top of the previously framed hole.

NOTE: Keep insulation away from the vent pipe at least 1 inch (25mm).

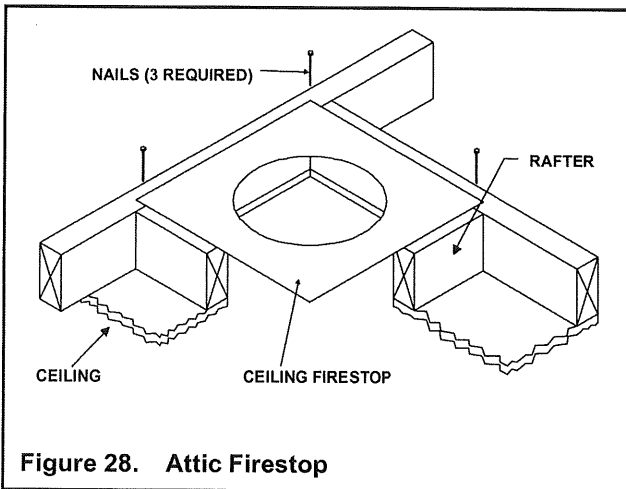


Figure 28. Attic Firestop

C. Vent Termination

SL-Series Venting Only:

For Horizontal Terminations - To attach and secure the termination to the last section of horizontal vent:

- Rotate and interlock the ends as described at the beginning of the Installing Vent Components section.
- The termination kit should pass through the wall firestops from the exterior of the building.
- Adjust the termination cap to its final exterior position on the building.

For trapezoidal cap termination kits:

- Using screws secure the cap to the exterior wall through the flanges in the cap.

For DVP Venting Only:

Refer to Cinch Pipe and Termination Cap installation instructions.

For All Venting:

WARNING: THE TERMINATION CAP MUST BE POSITIONED SO THAT THE ARROW IS POINTING UP.

WARNING: VENTING TERMINALS SHALL NOT BE RECESSED INTO A WALL OR SIDING. VENT TERMINATION CLEARANCES MUST BE FOLLOWED TO AVOID FIRE DANGER. SEE VENT TERMINATION MINIMUM CLEARANCES DIAGRAM ON FOLLOWING PAGE.

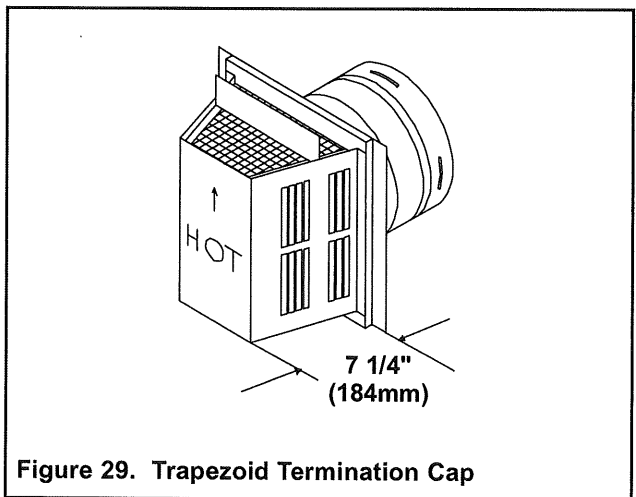
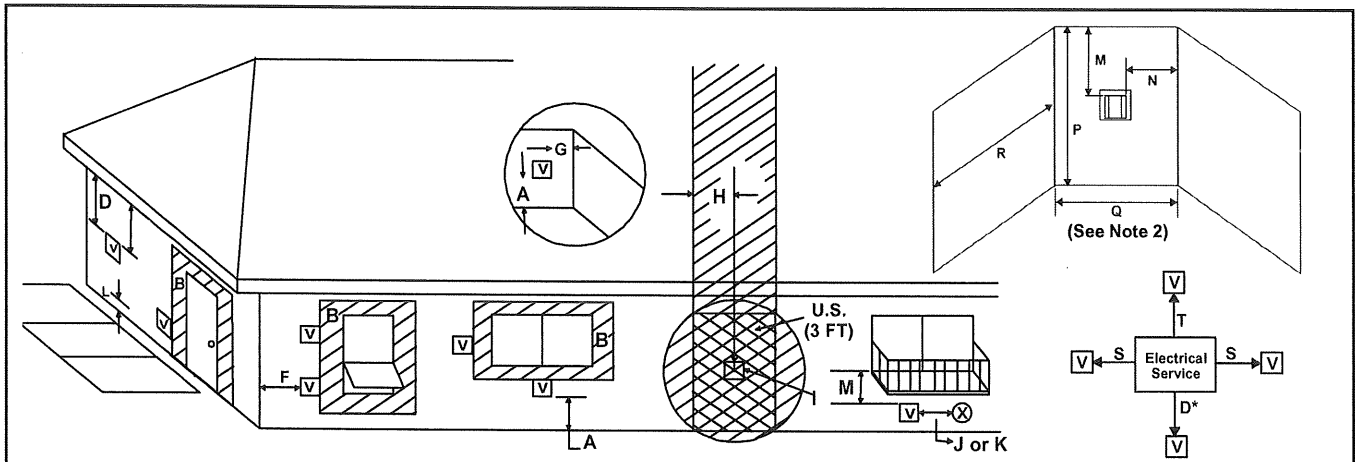


Figure 29. Trapezoid Termination Cap



V = VENT TERMINAL **X** = AIR SUPPLY INLET **▨** = AREA WHERE TERMINAL IS NOT PERMITTED

- A = 12" clearances above grade, veranda, porch, deck or balcony
(See Note 1)
- B = 12" clearances to window or door that may be opened, or to permanently closed window.
- D* = 18" vertical clearance to unventilated soffit or to ventilated soffit located above the terminal
*30" for vinyl clad soffits and below electrical service
- F = 9" clearance to outside corner
- G = 6" clearance to inside corner
- H = 3 ft. (Canada) not to be installed above a gas meter/regulator assembly within 3 feet (90cm) horizontally from the center-line of the regulator
- I = 3 ft. (U.S.A.)
6 ft. (Canada) clearance to gas service regulator vent outlet
- J = 9" (U.S.A.)
12" (Canada) clearance to non-mechanical air supply inlet to building or the combustion air inlet to any other appliance

- K = 3 ft. (U.S.A.)
6 ft. (Canada) clearance to a mechanical air supply inlet
- L** = 7 ft. clearance above paved sidewalk or a paved driveway located on **public** property
(See Note 1)
- M*** = 18" clearance under veranda, porch, deck, balcony or overhang
42" vinyl

Alcove Applications

- N = 6 inches non-vinyl sidewalls
12 inches vinyl sidewalls
- P = 8 ft.

	Q_{MIN}	R_{MAX}
1 cap	3 feet	2 x Q _{ACTUAL}
2 caps	6 feet	1 x Q _{ACTUAL}
3 caps	9 feet	2/3 x Q _{ACTUAL}
4 caps	12 feet	1/2 x Q _{ACTUAL}
<small>Q_{MIN} = # termination caps x 3 R_{MAX} = (2 / # termination caps) x Q_{ACTUAL}</small>		

- S = 6" clearance from sides of electrical service
(See Note 5)
- T = 12" clearance above electrical service
(See Note 5)

** a vent shall not terminate directly above a sidewalk or paved driveway which is located between two single family dwellings and serves both dwellings.

*** only permitted if veranda, porch, deck or balcony is fully open on a minimum of 2 sides beneath the floor, or meets Note 2.

NOTE 1: On private property where termination is less than 7 feet above a sidewalk, driveway, deck, porch, veranda or balcony, use of a listed cap shield is suggested.

NOTE 2: Termination in an alcove space (spaces open only on one side and with an overhang) are permitted with the dimensions specified for vinyl or non-vinyl siding and soffits. **1.** There must be 3 feet minimum between termination caps. **2.** All mechanical air intakes within 10 feet of a termination cap must be a minimum of 3 feet below the termination cap. **3.** All gravity air intakes within 3 feet of a termination cap must be a minimum of 1 foot below the termination cap.

Figure 30. Vent Termination Minimum Clearances

NOTE 3: Local codes or regulations may require different clearances.

NOTE 4: Termination caps may be hot. Consider their proximity to doors or other traffic areas.

NOTE 5: Location of the vent termination must not interfere with access to the electrical service.

WARNING: In the U.S: Vent system termination is **NOT** permitted in screened porches. You must follow side wall, overhang and ground clearances as stated in the instructions.

In Canada: Vent system termination is **NOT** permitted in screened porches. Vent system termination is permitted in porch areas with two or more sides open. You must follow all side walls, overhang and ground clearances as stated in the instructions.

Heat & Glo assumes no responsibility for the improper performance of the appliance when the venting system does not meet these requirements.

CAUTION: IF EXTERIOR WALLS ARE FINISHED WITH VINYL SIDING, IT IS SUGGESTED THAT A VINYL PROTECTOR KIT BE INSTALLED.

For Vertical Terminations - To locate the vent and install the vent sections:

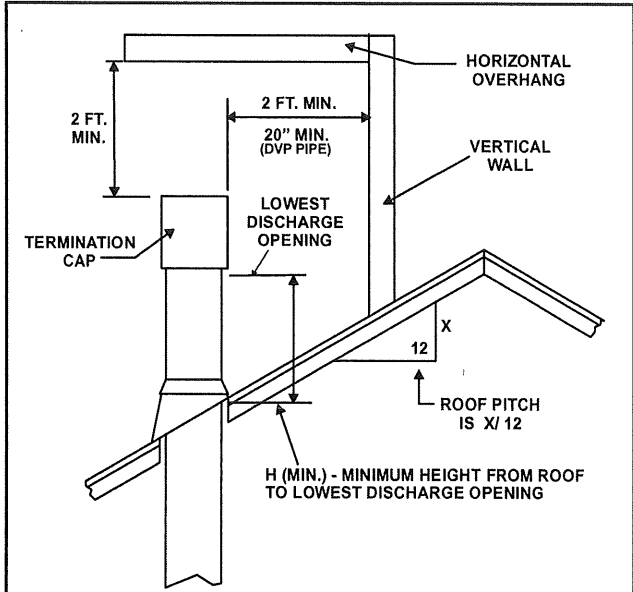
- Locate and mark the vent centerpoint on the underside of the roof, and drive a nail through the centerpoint.
- Make the outline of the roof hole around the centerpoint nail.
- The size of the roof hole framing dimensions depend on the pitch of the roof. There **MUST BE** a 1-inch (25.4mm) clearance from the vertical vent pipe to combustible materials.
- Mark the roof hole accordingly.
- Cover the opening of the installed vent pipes.
- Cut and frame the roof hole.
- Use framing lumber the same size as the roof rafters and install the frame securely. Flashing anchored to the frame must withstand heavy winds.
- Continue to install concentric vent sections up through the roof hole and up past the roof line until you reach the appropriate distance above the roof.

WARNING: MAJOR U.S. BUILDING CODES SPECIFY MINIMUM CHIMNEY AND/OR VENT HEIGHT ABOVE THE ROOF TOP. THESE MINIMUM HEIGHTS ARE NECESSARY IN THE INTEREST OF SAFETY. SEE THE FOLLOWING DIAGRAM FOR MINIMUM HEIGHTS, PROVIDED THE TERMINATION CAP IS AT LEAST TWO (2) FEET (20 INCHES FOR DVP PIPE) FROM A VERTICAL WALL AND 2-FEET BELOW A HORIZONTAL OVERHANG.

NOTE: This also pertains to vertical vent systems installed on the outside of the building.

To seal the roof hole, and to divert rain and snow from the vent system:

- Attach a flashing to the roof using nails, and use a non-hardening mastic around the edges of the flashing base where it meets the roof.
- Attach a storm collar over the flashing joint to form a water-tight seal. Place non-hardening mastic around the joint, between the storm collar and the vertical pipe.
- Slide the termination cap over the end of the vent pipe and rotate the pipe clockwise 1/4 turn.

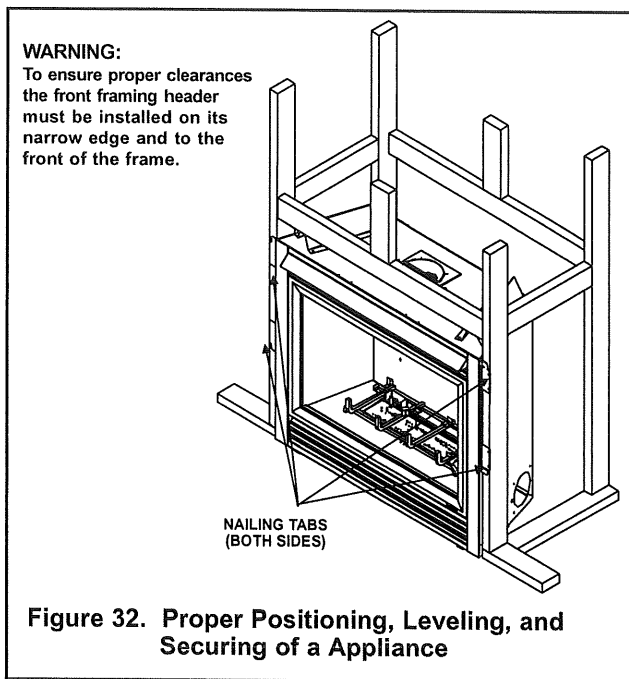


Roof Pitch	H (min.) ft.
flat to 6/12	1.0
over 6/12 to 7/12	1.25
over 7/12 to 8/12	1.5
over 8/12 to 9/12	2.0
over 9/12 to 10/12	2.5
over 10/12 to 11/12	3.25
over 11/12 to 12/12	4.0
over 12/12 to 14/12	5.0
over 14/12 to 16/12	6.0
over 16/12 to 18/12	7.0
over 18/12 to 20/12	7.5
over 20/12 to 21/12	8.0

Figure 31. Minimum Height from Roof to Lowest Discharge Opening

Step 4. Positioning, Leveling, and Securing the Appliance

The diagram below shows how to properly position, level, and secure the appliance.



- Place the appliance into position.
- Level the appliance from side to side and from front to back.
- Shim the appliance with non-combustible material, such as sheet metal, as necessary.
- Secure the appliance to the framing using nails or screws through the nailing tabs.

Step 5. The Gas Control Systems



WARNING: THIS UNIT IS NOT FOR USE WITH SOLID FUEL.

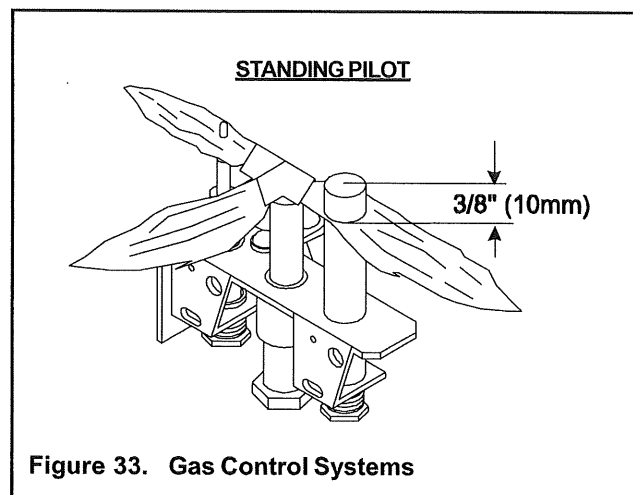
The two types of gas control systems used with this model: *Standing Pilot Ignition* and *Intellifire Pilot Ignition (IPI)*.

Standing Pilot Ignition System

This system includes millivolt control valve, standing pilot, thermopile/thermocouple flame sensor, and piezo ignitor.



WARNING: 110-120 VAC MUST NEVER BE CONNECTED TO A CONTROL VALVE IN A MILLIVOLT SYSTEM.



Intellifire Pilot Ignition (IPI) System

This system includes a 3V control valve, electronic module and intermittent pilot.



WARNING: CONTINUOUS 110-120 VAC SERVICE MUST BE WIRED DIRECTLY TO THE APPLIANCE JUNCTION BOX IN A IPI SYSTEM.

Step 6. The Gas Supply Line

NOTE: Have the gas supply line installed in accordance with local building codes by a qualified installer approved and/or licensed as required by the locality. (In the Commonwealth of Massachusetts installation must be performed by a licensed plumber or gas fitter).

NOTE: Before the first firing of the appliance, the gas supply line should be purged of any trapped air.

NOTE: Consult local building codes to properly size the gas supply line leading to the 1/2 inch (13mm) hook-up at the unit.

This gas appliance is designed to accept a 1/2 inch (13mm) gas supply line. To install the gas supply line:

- A listed (and Commonwealth of Massachusetts approved) 1/2 inch (13mm) tee-handle manual shut-off valve and a listed flexible gas connector are connected to the 1/2 inch (13mm) inlet of the control valve. **NOTE:** If substituting for these components, please consult local codes for compliance.
- Locate the gas line access hole in the outer casing of the appliance.
- The gas line may be run from either side of the appliance provided the hole in the outer wrap does not exceed 2" in diameter and it does not penetrate the actual firebox.
- Open the appliance lower grille, insert the gas supply line through the gas line hole, and connect it to the shut-off valve.
- When attaching the pipe, support the control so that the lines are not bent or torn.
- After the gas line installation is complete, all connections must be tightened and checked for leaks with a commercially-available, non-corrosive leak check solution. Be sure to rinse off all leak check solution following testing.



WARNING: DO NOT USE AN OPEN FLAME TO CHECK FOR GAS LEAKS.

- Insert insulation from the outside of the appliance and pack the insulation tightly to totally seal between the pipe and the outer casing.
- At the gas line access hole the gap between the supply piping and gas access hole can be plugged with non-combustible insulation to prevent cold air infiltration.

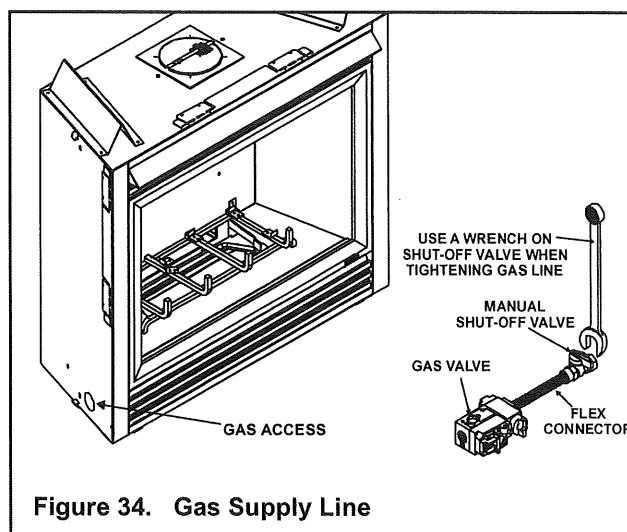


Figure 34. Gas Supply Line

Step 7. Gas Pressure Requirements

Pressure requirements for Heat & Glo gas appliances are shown in the table below.

Pressure	Natural Gas	Propane
Minimum Inlet Pressure	5.0 inches w.c.	11.0 inches w.c.
Maximum Inlet Gas Pressure	14.0 inches w.c.	14.0 inches w.c.
Manifold Pressure	3.5 inches w.c.	10.0 inches w.c.

A one-eighth (1/8) inch (3 mm) N.P.T. plugged tapping is provided on the inlet and outlet side of the gas control for a test gauge connection to measure the manifold pressure. Use a small flat blade screwdriver to crack open the screw in the center of the tap. Position a rubber hose over the tap to obtain the pressure reading.

The appliance and its individual shut-off valve must be disconnected from the gas supply piping system during any pressure testing of the system at test pressures in excess of one-half (1/2) psig (3.5 kPa).

The appliance must be isolated from the gas supply piping system by closing its individual shut-off valve during any pressure testing of the gas supply piping system at test pressures equal to or less than one-half (1/2) psig (3.5 kPa).

Step 8. Wiring the Appliance

NOTE: Electrical wiring must be installed by a licensed electrician.

CAUTION: DISCONNECT REMOTE CONTROLS IF ABSENT FOR EXTENDED TIME PERIODS. THIS WILL PREVENT ACCIDENTAL APPLIANCE OPERATION.

For Standing Pilot Ignition Wiring

Appliance Requirements

- This appliance **DOES NOT** require 110-120 VAC to operate.



WARNING: DO NOT CONNECT 110-120 VAC TO THE GAS CONTROL VALVE OR WALL SWITCH OR THE APPLIANCE WILL MALFUNCTION AND THE VALVE WILL BE DESTROYED.

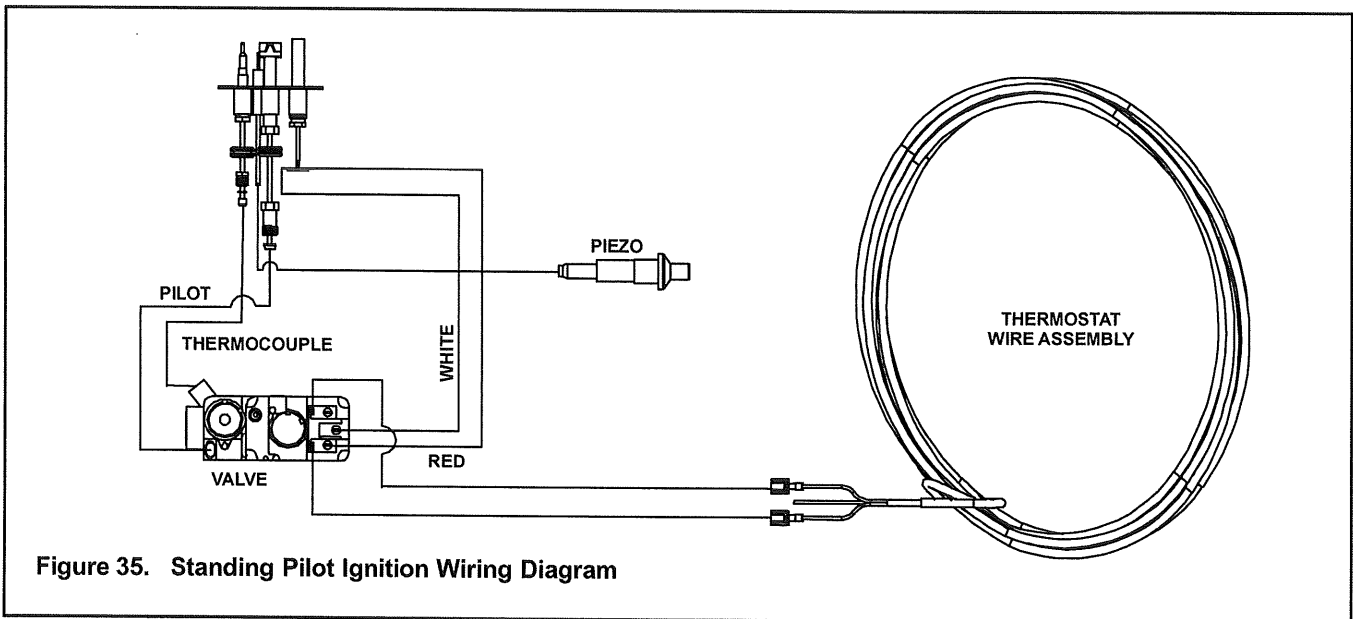
Optional Accessories

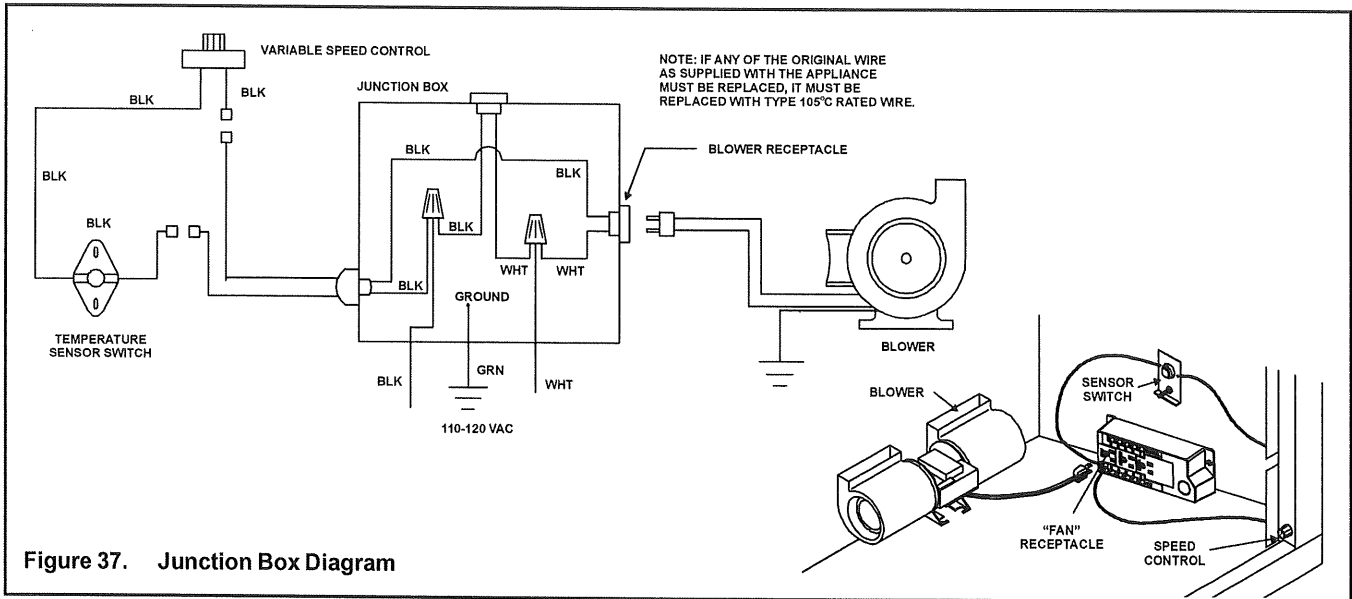
Optional fan and remote control kits require that 110-120 VAC be wired to the factory installed junction box before the appliance is permanently installed.

Wall Switch

Position the wall switch in the desired position on a wall. Run a maximum of 25 feet (7.8 m) or less length of 18 A.W.G. minimum wire and connect it to the appliance ON/OFF switch pigtailed.

CAUTION: LABEL ALL WIRES PRIOR TO DISCONNECTION WHEN SERVICING CONTROLS. WIRING ERRORS CAN CAUSE IMPROPER AND DANGEROUS OPERATION. VERIFY PROPER OPERATION AFTER SERVICING.



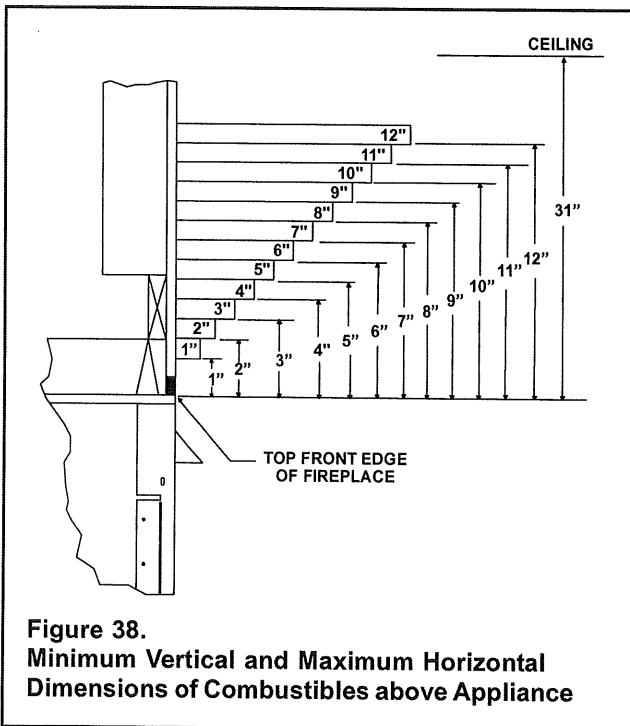


Step 9. Finishing

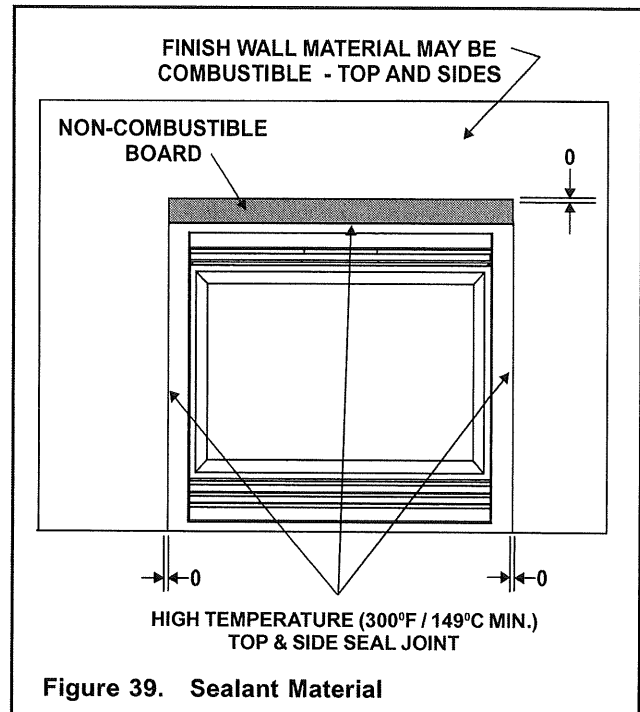
Figure 38 shows the minimum vertical and corresponding maximum horizontal dimensions of appliance mantels or other combustible projections above the top front edge of the appliance. See Figures 4 and 5 for other appliance clearances.

Only non-combustible materials may be used to cover the black appliance front.

WARNING: WHEN FINISHING THE APPLIANCE, NEVER OBSTRUCT OR MODIFY THE AIR INLET/OUTLET GRILLES IN ANY MANNER.



CAUTION: IF JOINTS BETWEEN THE FINISHED WALLS AND THE APPLIANCE SURROUND (TOP AND SIDES) ARE SEALED, A 300° F. MINIMUM SEALANT MATERIAL MUST BE USED. THESE JOINTS ARE NOT REQUIRED TO BE SEALED. ONLY NON-COMBUSTIBLE MATERIAL (USING 300° F. MINIMUM ADHESIVE, IF NEEDED) CAN BE APPLIED AS FACING TO THE APPLIANCE SURROUND. SEE THE DIAGRAM BELOW.



Hearth Extensions

A hearth extension may be desirable for aesthetic reasons. However, ANSI or CAN/CGA testing standards do not require hearth extensions for gas appliance appliances.

Step 10. Installing Trim, Logs and Ember Material, and Removing Shipping Support

Installing the Trim

Combustible materials may be brought up to the specified clearances on the side and top front edges of the appliance, but **MUST NEVER** overlap onto the front face. The joints between the finished wall and the appliance top and sides can only be sealed with a 300° F. (149° C) minimum sealant.

WARNING: WHEN FINISHING THE APPLIANCE, NEVER OBSTRUCT OR MODIFY THE AIR INLET/OUTLET GRILLES IN ANY MANNER.

Install optional marble and brass trim surround kits as desired. Marble, brass, brick, tile, or other non-combustible materials can be used to cover up the gap between the sheet rock and the appliance.

Do not obstruct or modify the air inlet/outlet grilles. When overlapping on both sides, leave enough space so that the bottom grille can be opened and the trim door removed.

Positioning the Logs

If the gas logs have been factory installed they should not need to be positioned. If the logs have been packaged separately, refer to the instructions that accompany the logs. **Save the log instructions with this manual.**

If sooting occurs, the logs might need to be repositioned slightly to avoid excessive flame impingement.

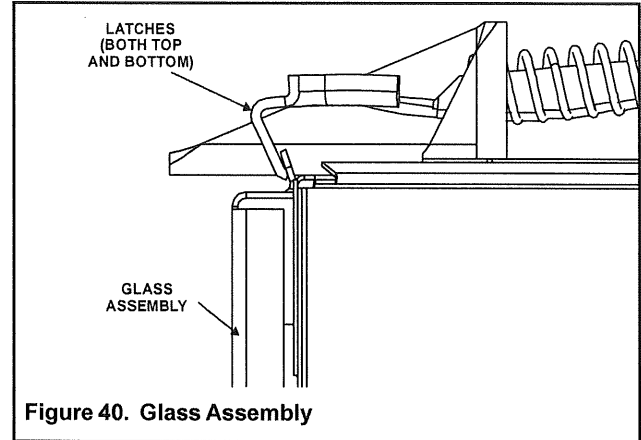
Shutter Settings

MODEL	TOP VENTED	REAR VENTED
SL-350TRS-C	1/4" open	3/16" open
SL-350TRS-C-LP	1/2" open	3/8" open
SL-550TRS-IPI-D	1/2" open	1/2" open
SL-550TRSLPIPID	Full open	Full open
SL-750TRS-IPI-D	1/2" open	1/2" open
SL-750TRSLPIPID	Full open	Full open

Placing the Ember Material

The bag labeled Mystic Embers is standard glowing ember material. To place the ember material:

- Unlatch the latches at the top and bottom of the glass door.
- Remove the glass door from the unit (see Figure 40).



GLASS SPECIFICATIONS:

SL-750TRS-IPI-D CERAMIC
 SL-550TRS-IPI-D CERAMIC
 SL-350TRS-C CERAMIC

- Place Mystic Embers on base pan on both sides of the burner. Do NOT place on burner top.
- Glowing embers can only be placed as shown around the front burner ports. Do NOT cover burner ports (see Figure 41).

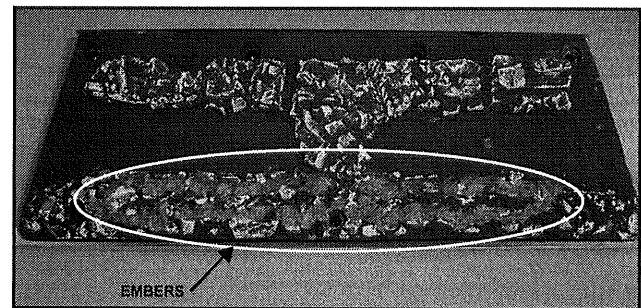


Figure 41

- Reinstall and latch the glass door.

CAUTION: THE GLASS DOOR MUST BE SECURELY LATCHED BEFORE OPERATING THE UNIT.

4

Maintaining and Servicing Your Appliance

Appliance Maintenance

Although the frequency of your appliance servicing and maintenance will depend on use and the type of installation, you should have a qualified service technician perform an appliance check-up at the beginning of each heating season. See the table below for specific guidelines regarding each appliance maintenance task.

IMPORTANT: TURN OFF THE GAS BEFORE SERVICING YOUR APPLIANCE.

Replacing old ember material

Frequency: Once annually, during the checkup.

By: Qualified service technician.

Task: Brush away loose ember material near the burner. Replace old ember material with new dime-size and shape pieces. New ember material should be placed alternately on top of the burner. Save the remaining ember material and repeat this procedure at your next servicing. For more information, see **Placing Ember Material**.

Cleaning Burner and Controls

Frequency: Once annually.

By: Qualified service technician.

Task: Brush or vacuum the control compartment, appliance logs and burner areas surrounding the logs.

Checking Flame Patterns, Flame Height

Frequency: Periodically.

By: Qualified service technician/Home owner.

Task: Make a visual check of your appliance's flame patterns. Make sure the flames are steady - not lifting or floating. See Figure 42. The thermopile/thermocouple tips should be covered with flame. See Figure 33.

Checking Vent System

Frequency: Before initial use and at least annually thereafter, more frequently if possible.

By: Qualified service technician/Home owner.

Task: Inspect the external vent cap on a regular basis to ensure that no debris is interfering with the flow of air. Inspect entire vent system for proper function.

Cleaning Flame Sensor Rod (IPI Systems)

Frequency: Periodically.

By: Qualified service technician.

Task: Make a visual check of the straight flame sensor rod. Use emery cloth to carefully remove any existing white film or deposits.

Cleaning Glass Door

Frequency: After the first 3 to 4 hours of use. As necessary after initial cleaning.

By: Home owner.

Task: Remove and clean glass after the first 3 to 4 hours of use. After the initial cleaning, clean as necessary, particularly after adding new ember (flame colorant) material. Film deposits on the inside of the glass door should be cleaned off using a household glass cleaner. **NOTE: DO NOT handle or attempt to clean the door when it is hot and DO NOT use abrasive cleaners.**

MAKE SURE THE FLAMES
ARE STEADY—NOT
LIFTING OR FLOATING.

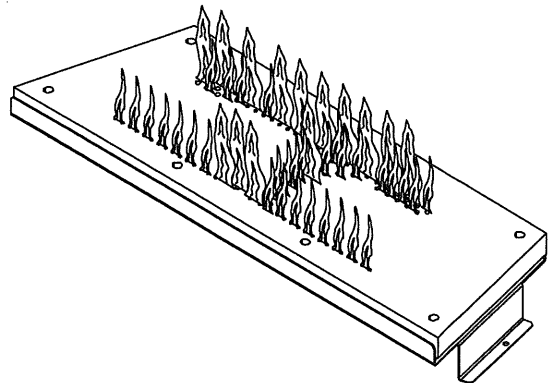


Figure 42. Burner Flame Patterns

This product may be covered by one or more of the following patents: (United States) 4593510, 4686807, 4766976, 4793322, 4811534, 5000162, 5016609, 5076254, 5113843, 5191877, 5218953, 5263471, 5328356, 5341794, 5347983, 5429495, 5452708, 5542407, 5601073, 5613487, 5647340, 5688568, 5762062, 5775408, 5890485, 5931661, 5941237, 5947112, 5996575, 6006743, 6019099, 6048195, 6053165, 6145502, 6170481, 6237588, 6296474, 6374822, 6413079, 6439226, 6484712, 6543698, 6550687, 6601579, 6672860, 6688302B2, 6715724B2, 6729551, 6736133, 6748940, 6748942, 6769426, 6774802, 6796302, 6840261, 6848441, 6863064, 6866205, 6869278, 6875012, 6880275, 6908039, 6919884, D320652, D445174, D462436; (Canada) 1297749, 2195264, 2225408, 2313972; (Australia) 780250, 780403, 1418504 or other U.S. and foreign patents pending.

Step 11. Before Lighting the Appliance

Before lighting the appliance, be sure to do the following:

Remove all paperwork from underneath the appliance.

Review safety warnings and cautions

- Read the **Safety and Warning Information** section at the beginning of this *Installers Guide*.

Double-check for gas leaks

- Before lighting the appliance, double-check the unit for possible gas leaks.

Double-check vent terminations and front grilles for obstructions.

- Before lighting the appliance, double-check the unit for possible obstructions that could be blocking the vent terminations or the front grilles.

Double-check for faulty components

- Any component that is found to be faulty **MUST BE** replaced with an approved component. Tampering with the appliance components is **DANGEROUS** and voids all warranties.

A small amount of air will be in the gas supply lines. When first lighting the appliance, it will take a few minutes for the lines to purge themselves of this air. Once the purging is complete, the appliance will light and will operate normally.

Subsequent lightings of the appliance will not require this purging of air from the gas supply lines, **unless the gas valve has been turned to the OFF position**, in which case the air would have to be purged.

NOTE: The appliance should be run 3 to 4 hours on the initial start-up. Turn it off and let it cool completely. Remove and clean the glass. Replace the glass and run the appliance for an additional 12 hours. This will help to cure the products used in the paint and logs.

During this break-in period it is recommended that some windows in the house be opened for air circulation. This will help avoid setting off smoke detectors, and help eliminate any odors associated with the appliance's initial burning.

Step 12. Lighting the Appliance

You've reviewed all safety warnings, you've checked the appliance for gas leaks, you know the vent system is unobstructed, and you've checked for faulty components. Now you're ready to light the appliance.



WARNING: PLEASE REFER TO THE USER'S MANUAL FOR ALL CAUTIONS, SAFETY, AND WARNING INFORMATION PERTAINING TO THE LIGHTING AND OPERATION OF THE APPLIANCE.

After the Installation




LEAVE THIS INSTALLATION MANUAL WITH THE APPLIANCE FOR FUTURE REFERENCE.

For Intermittent Pilot Ignition (IPI) Wiring

Appliance Requirements

This appliance requires that 110-120 VAC be wired to the junction box. Maintain correct polarity when wiring the junction box.



WARNING

Wire 110V to electrical junction box.
Do NOT wire 110V to valve.
Do NOT wire 110V to wall switch.

- Incorrect wiring will damage millivolt valves.
- Uninterrupted or continuous power is required at all times in IPI system EXCEPT when using battery back-up.

• Incorrect wiring will override IPI safety lockout and may cause explosion.

Operation using Battery Power

This appliance has an optional battery operation. The system is fully functional with the use of two "D" size batteries without ordinary 110-120 VAC power.

Wiring to the battery pack should be left disconnected in order to conserve battery life. In the case of a loss of power, simply connect red and black wire leads to activate battery power (connect red to red, black to black). The appliance can be used as necessary. Once power (110 VAC) is restored, disconnect red and black wire leads to extend battery life.

Optional Accessories

Optional fan and remote control kits require that 110-120 VAC be wired to the factory installed junction box before the appliance is permanently installed.

Wall Switch

Position the wall switch in the desired position on a wall. Run a maximum of 25 feet (7.8 m) or less length of 18 A.W.G. minimum wire and connect it to the appliance ON/OFF switch pigtails.

CAUTION: LABEL ALL WIRES PRIOR TO DISCONNECTION WHEN SERVICING CONTROLS. WIRING ERRORS CAN CAUSE IMPROPER AND DANGEROUS OPERATION. VERIFY PROPER OPERATION AFTER SERVICING.

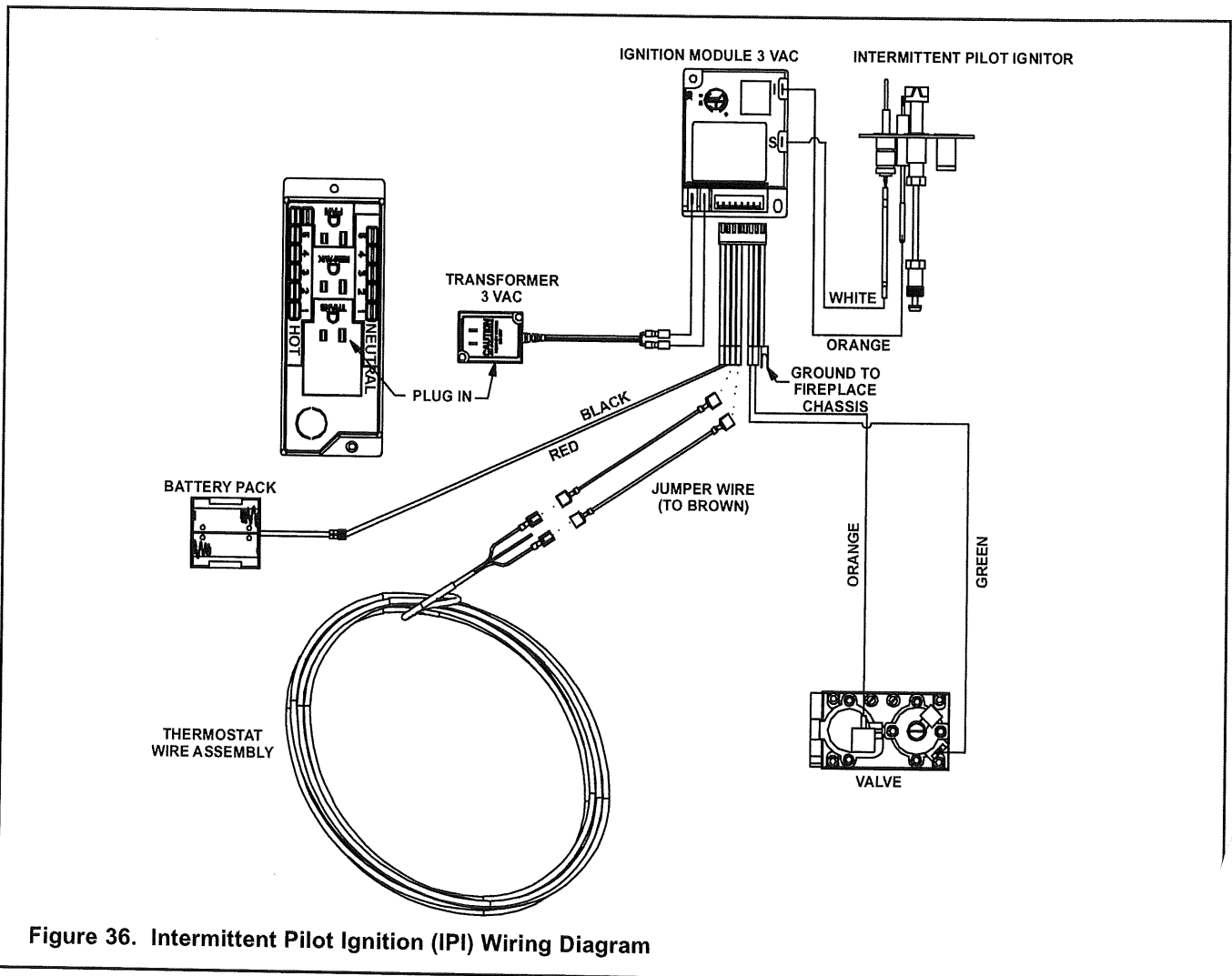


Figure 36. Intermittent Pilot Ignition (IPI) Wiring Diagram