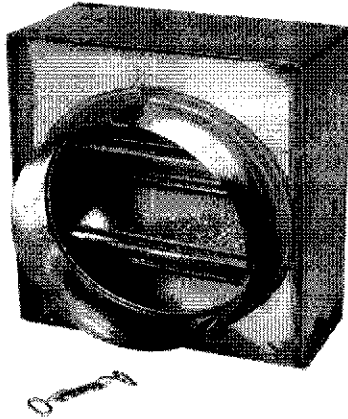




**LLOYD INDUSTRIES INC.**  
WWW.FIREDAMPER.COM

Rmcy@FWW&BB.com  
RICK COASTLINE SHEETMETAL

**DYNAMIC FIRE DAMPER**



**MODELS:**  
75LCR-DY (3 HR rating)

**APPLICATION**

The model 75LCR-DY is constructed with standard construction-galvanized steel. 75LCR-DY has 3-hour rating so it can be used in fire partition rated at four hours or less. This damper is for vertical application only.

**RATING:**

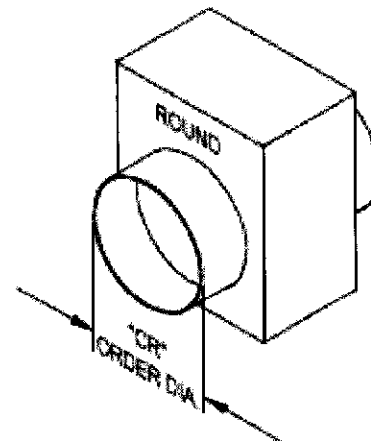
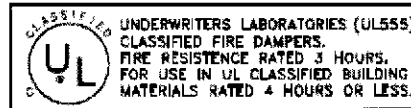
**UL CLASSIFIED:** UL 555 Fire Resistance Rating  
Fire resistance rated 3 Hours  
Building materials rated in 4 hours fire partition

**Standard Construction**

- Frame: 22 ga. Galvanized Steel
- Blade: 22 ga. Galvanized Steel
- Closure Spring: Stainless Steel
- Fusible Link: 165°F
- Mounting: Vertical

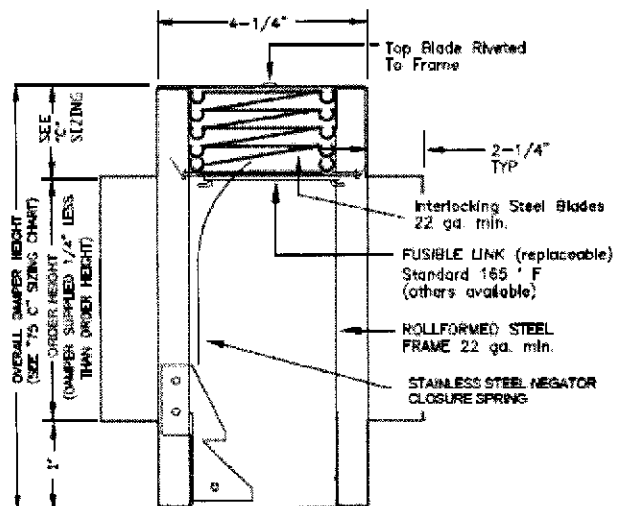
- Dynamic Fire Dampers:
- Bi-directional
- 2400 FPM maximum velocity
- 4.0 WG maximum static pressure

Feature horizontal closure spring operation under airflow in HVAC systems where fans remain running in Fire and smoke control dynamic fire dampers bear a label Attesting to airflow and maximum static pressure limits.



	Single Section		
	Maximum Section	Minimum Ø	Maximum Ø
Vertical	24"x24"	3Ø	20Ø
Horizontal	N/A	N/A	N/A

\*Damper supplied 1/4" less than order width and height Highest air flow efficiency for curtain damper. Damper models with blades and frames "out of air stream".



(V) VERTICAL MOUNT

231 Commerce Dr. Montgomeryville, PA 18936  
Tel: 215-412-4445 Fax: 215-412-4409  
Email: lloydind@firedamper.com

138 Industrial Loop West, Orange Park, FL 32073  
Tel: 904-541-1655 Fax: 904-541-1657  
Email: lloydind1@bellsouth.net

B1, 4/F., Luen Ming Hing Factory Building  
36 Mok Cheong St.,  
To Kwa Wan, Kowloon, H. K.  
Tel: 852-2760-4188 Fax: 852-2760-4177  
Email: tatanlexyim@lloydasia.com



Lloyd Industries Inc. 2013

\*ALL STATED SPECIFICATIONS ARE SUBJECT TO UPDATE WITHOUT NOTICE OR OBLIGATION.

Website: www.firedamper.com



**Standard Rounds Sizing Chart (Model 75-CR and 75-LCR) and (Model 75-CR-DY and 75-LCR-DY)**

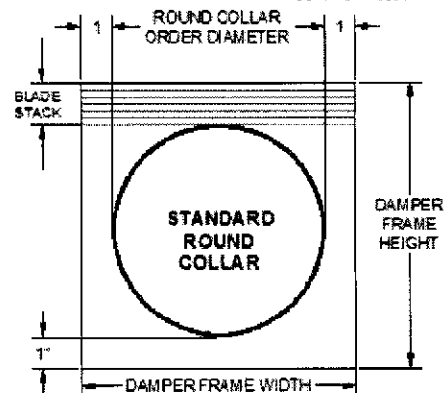
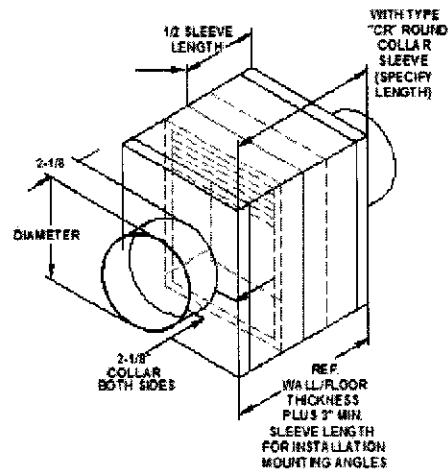
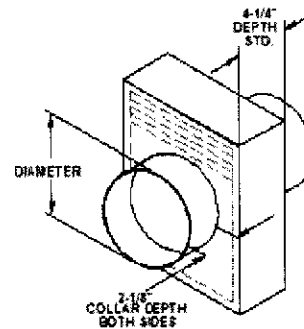
Order Size Round Collar Diameter "CR"	Nominal Damper Width "W"	Nominal Damper Height "H"	Damper Installation Rough Opening "W" x "H"
4	6	6	6 x 6
5	7	7	7 x 7
6	8	8	8 x 8
7	9	9	9 x 9
8	10	11	10 x 11
9	11	12	11 x 12
10	12	13	12 x 13
11	13	14	13 x 14
12	14	15	14 x 15
13	15	16	15 x 16
14	16	17	16 x 17
15	17	18	17 x 18
16	18	19	18 x 19
17	19	21	19 x 21
18	20	22	20 x 22
19	21	23	21 x 23
20	22	24	22 x 24
21	23	25	23 x 25
22	24	26	24 x 26
23	25	27	25 x 27
24	26	28	26 x 28
25	27	29	27 x 29
26	28	30	28 x 30
27	29	32	29 x 32
28	30	33	30 x 33
29	31	34	31 x 34
30	32	35	32 x 35
31	33	36	33 x 36
32	34	37	34 x 37
33	35	38	35 x 38
34	36	39	36 x 39
35	37	40	37 x 40
36	38	42	38 x 42
37	39	43	39 x 43
38	40	44	40 x 44
39	41	45	41 x 45
40	42	46	42 x 46
41	43	47	43 x 47
42	44	48	44 x 48
43	45	49	45 x 49
44	46	50	46 x 50
45	47	52	47 x 52
46	48	53	48 x 53
47	49	54	49 x 54
48	50	55	50 x 55
49	51	56	51 x 56
50	52	57	52 x 57
51	53	58	53 x 58
52	54	59	54 x 59

ROUND COLLAR DIAMETERS ARE PROVIDED NOMINAL SIZE LESS 1/4"

DAMPER W X H DIMENSIONS ARE PROVIDED NOMINAL SIZE LESS 1/4"

FOR NON-STANDARD DIAMETERS CONSULT THE FACTORY FOR PRICE, AVAILABILITY, AND DELIVERY.

ALL ROUND COLLAR DAMPERS ARE PROVIDED WITH BLADES OUT OF AIR STREAM TO MAXIMIZE FREE AREA & AIR FLOW.



231 Commerce Dr. Montgomeryville, PA 18936  
Tel: 215-412-4445 Fax: 215-412-4409  
Email: lloydind@firedamper.com

138 Industrial Loop West, Orange Park, FL 32073  
Tel: 904-541-1655 Fax: 904-541-1657  
Email: lloydind1@firedamper.com

B1, 4/F., Luen Ming Hing Factory Building  
36 Mok Cheong St.,  
To Kwa Wan, Kowloon, H. K.  
Tel: 852-2760-4188 Fax: 852-2760-4177  
Email: tatanlexyim@lloydasia.com



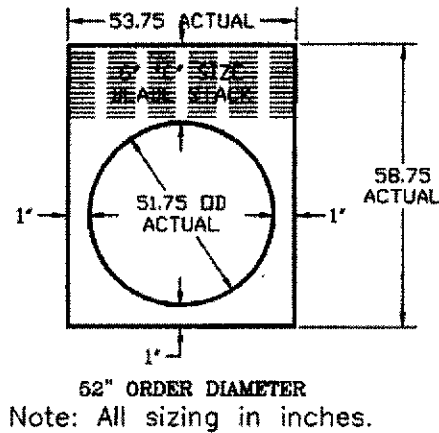
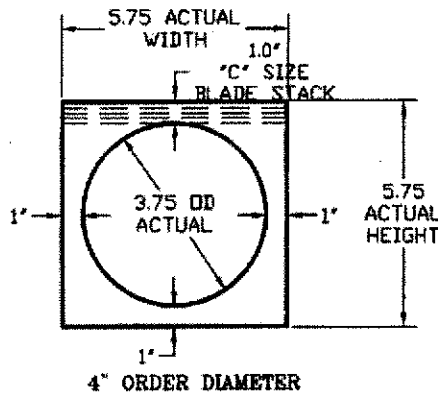
260<sup>00</sup> +/- depending  
ON FREIGHT

# FIRE DAMPER AND DOORS

## Rounds Sizing Chart MODEL 75 CR AND MODEL 75 LCR

2  
2  
2

ORDER DIAMETER	DAMPER FRAME WIDTH X HEIGHT	ORDER DIAMETER	DAMPER FRAME WIDTH X HEIGHT
4"	6 X 6	29"	31 X 34
5"	7 X 7	30"	32 X 35
6"	8 X 8	31"	33 X 36
7"	9 X 9	32"	34 X 37
8"	10 X 11	33"	35 X 38
9"	11 X 12	34"	36 X 39
10"	12 X 13	35"	37 X 40
11"	13 X 14	36"	38 X 42
12"	14 X 15	37"	39 X 43
13"	15 X 16	38"	40 X 44
14"	16 X 17	39"	41 X 45
15"	17 X 18	40"	42 X 46
16"	18 X 19	41"	43 X 47
17"	19 X 21	42"	44 X 48
18"	20 X 22	43"	45 X 49
19"	21 X 23	44"	46 X 50
20"	22 X 24	45"	47 X 52
21"	23 X 25	46"	48 X 53
22"	24 X 26	47"	49 X 54
23"	25 X 27	48"	50 X 55
24"	26 X 28	49"	51 X 56
25"	27 X 29	50"	52 X 57
26"	28 X 30	51"	53 X 58
27"	29 X 32	52"	54 X 59
28"	30 X 33		



CLLOYD-10-REV-A



# LLOYD INDUSTRIES INC.

231 COMMERCE DRIVE  
MONTGOMERYVILLE, PA. 18936  
TEL: 215-412-4445  
FAX: 215-412-4409  
EMAIL: LLOYDIND@FIREDAMPER.COM

5858 BROADWAY AVE.  
JACKSONVILLE, FL. 32254  
TEL: 904-378-8440  
FAX: 904-378-8441  
EMAIL: LLOYDINDI@BELLSOUTH.NET

WEB SITE: FIREDAMPER.COM