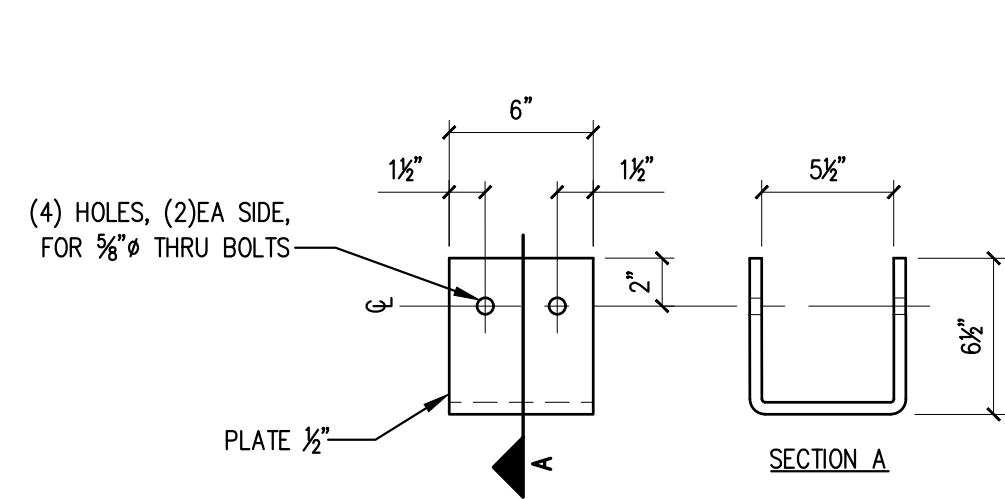
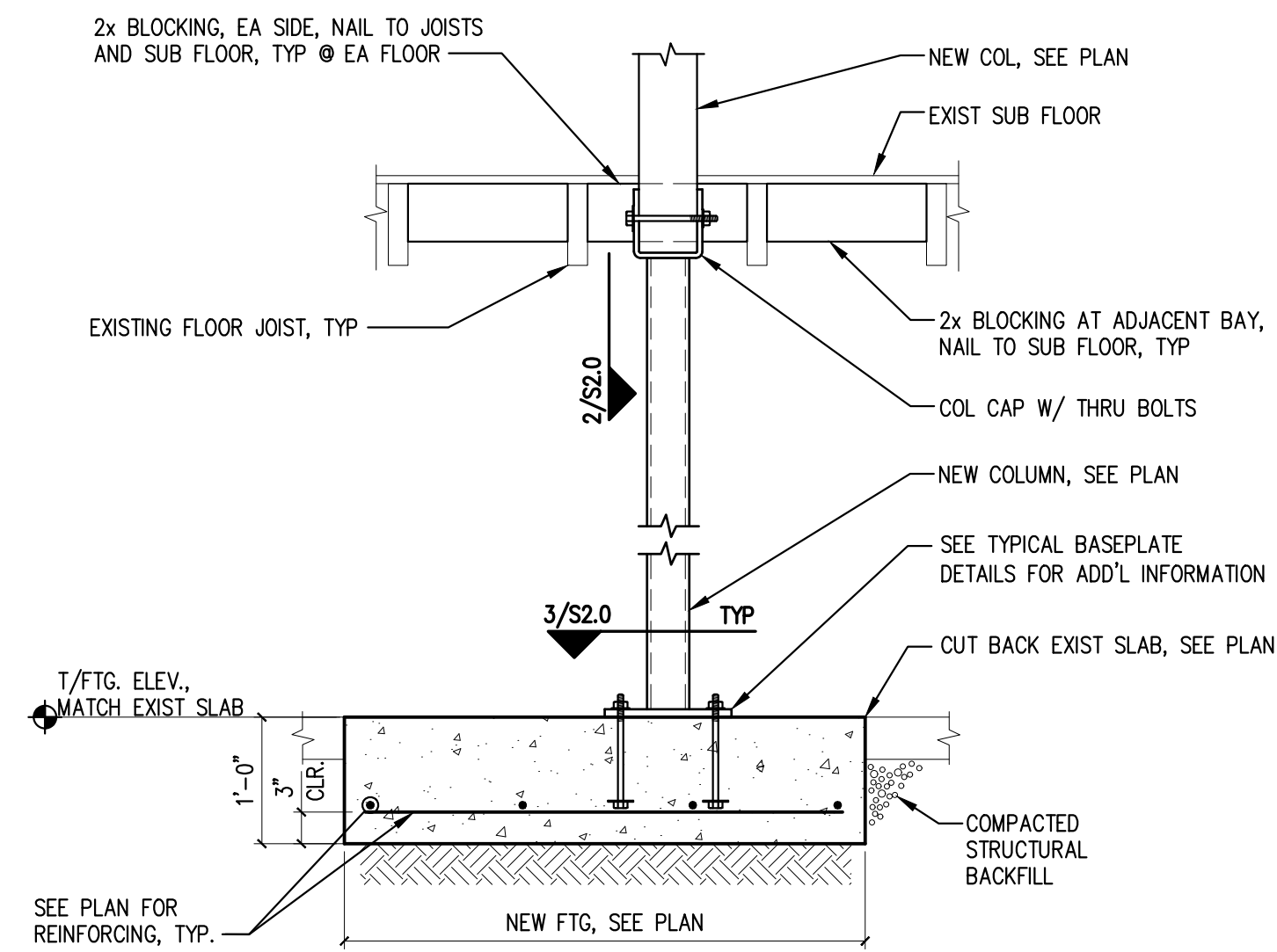
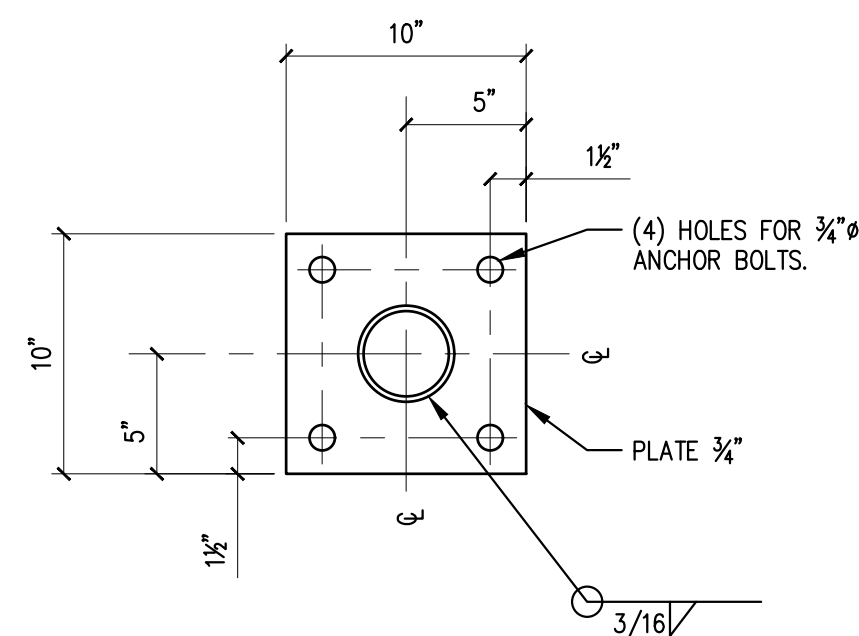


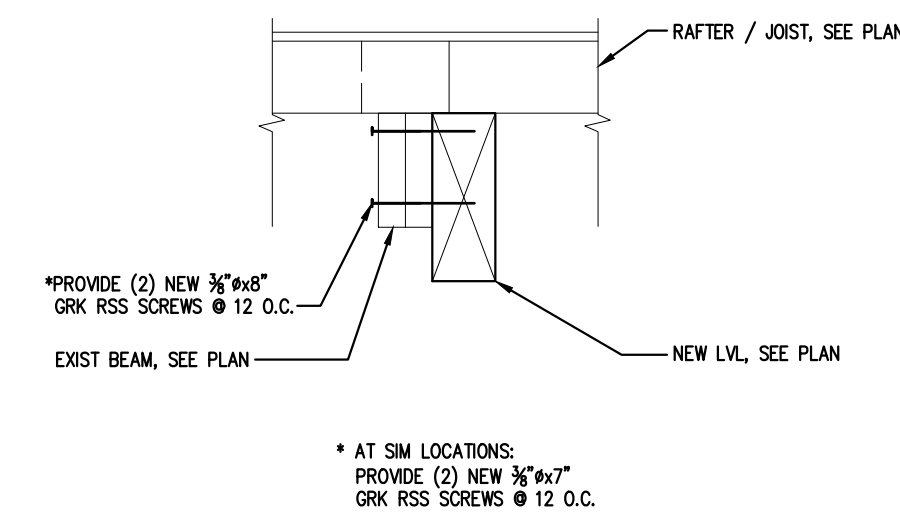
PRINTED: Dec 01, 2017



COL CAP
ELEVATION / SECTION



TYP BASEPLATE
PLAN VIEW



* AT SIM LOCATIONS, PROVIDE (2) NEW 3/8\"/>

1 SECTION

3/4" = 1'-0"

2 SECTION

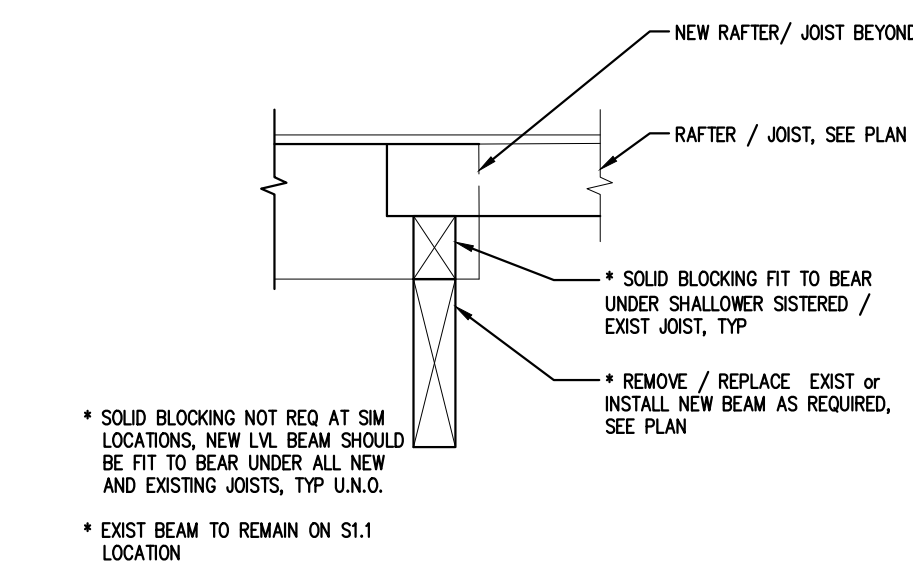
1 1/2" = 1'-0"

3 SECTION

1 1/2" = 1'-0"

4 SECTION

3/4" = 1'-0"



5 SECTION

3/4" = 1'-0"

6 SECTION

3/4" = 1'-0"

7 SECTION

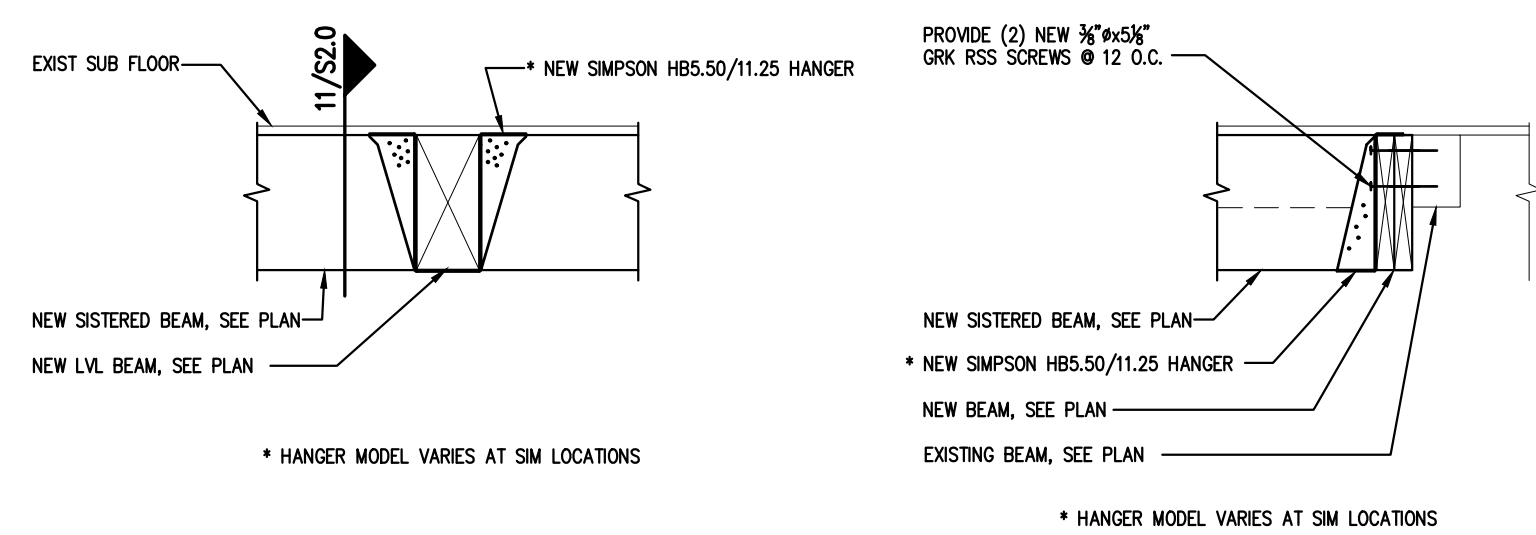
3/4" = 1'-0"

8 SECTION

3/4" = 1'-0"

9 SECTION

3/4" = 1'-0"



10 SECTION

3/4" = 1'-0"

11 SECTION

3/4" = 1'-0"

12 SECTION

3/4" = 1'-0"

13 SECTION

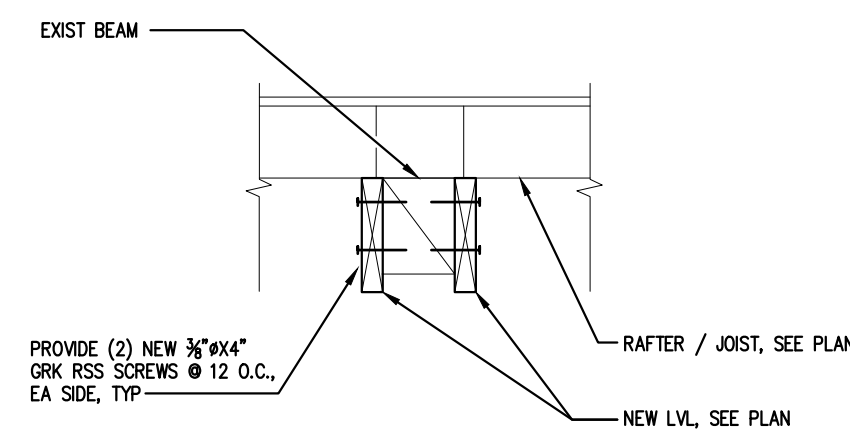
3/4" = 1'-0"

14 SECTION

3/4" = 1'-0"

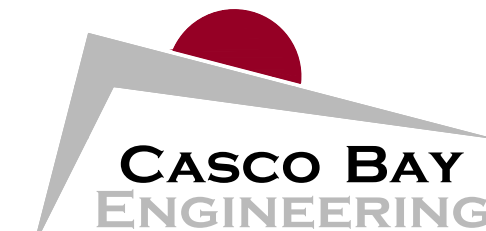
15 SECTION

3/4" = 1'-0"



16 SECTION

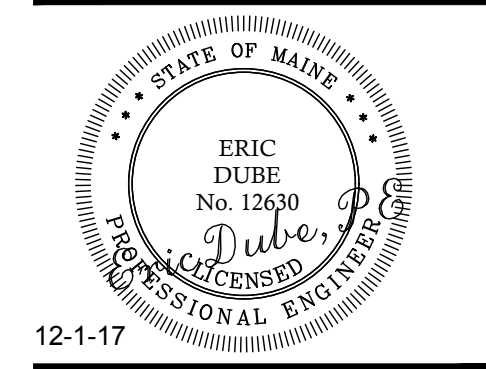
3/4" = 1'-0"



424 Fore Street
Portland, ME 04101
Phone 207.842.2800
Fax 207.842.2828
www.cascobayengineering.com

CLIENT:
BARRETT MADE

48 UNION WARF
PORTLAND, MAINE 04101



12-1-17

33 HAMPSHIRE STREET
PORTLAND, MAINE

PROPOSED RENOVATION

ISSUED	DR.	CHK.	DATE	12-1-17		
				BY	ED	
DESCRIPTION						
ISSUE FOR CONSTRUCTION						
No.	0					

SHEET TITLE:

DETAILS AND SECTIONS

DESIGNED: SD
DRAWN: SD
DATE: 10-18-17
PROJECT NUMBER: 17-089

S2.0