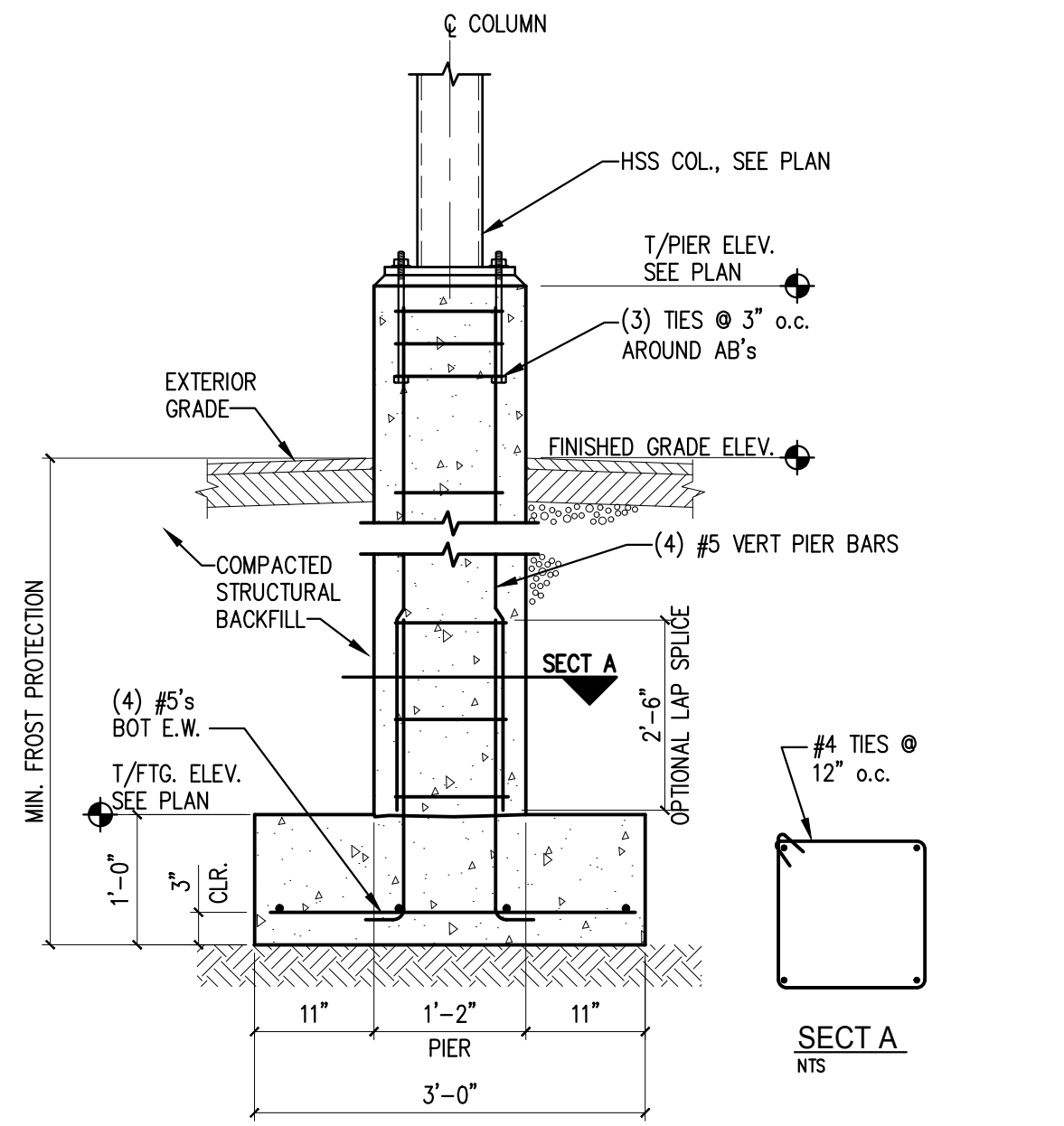
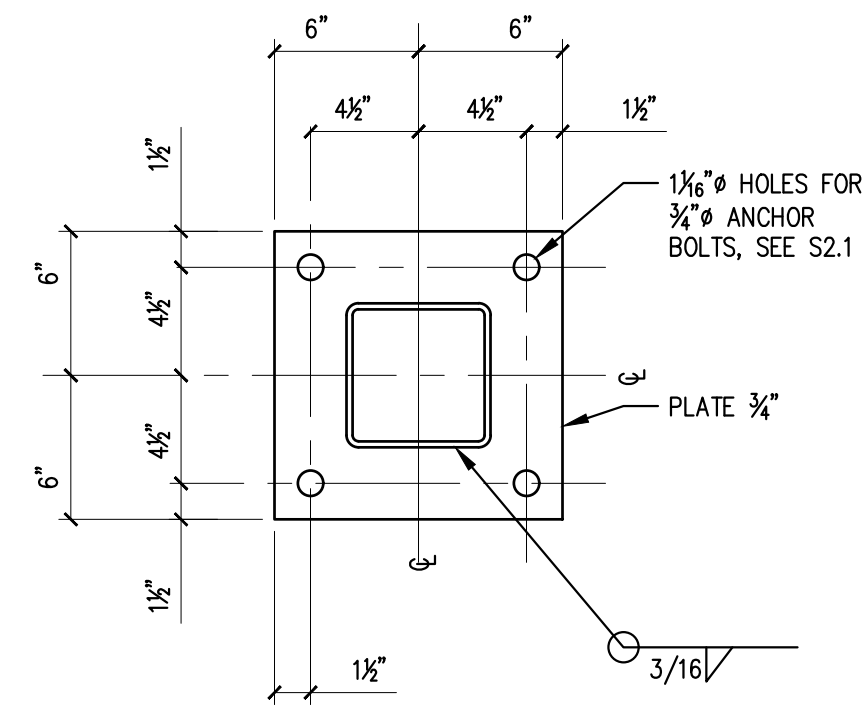


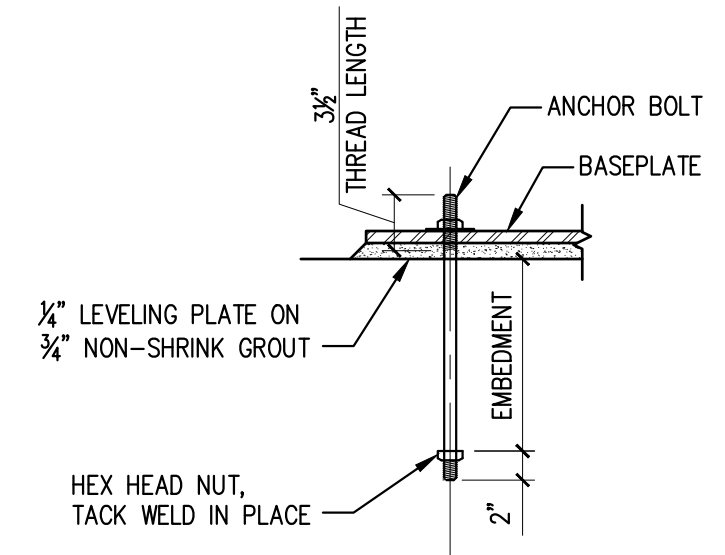
PRINTED: Aug 17, 2017



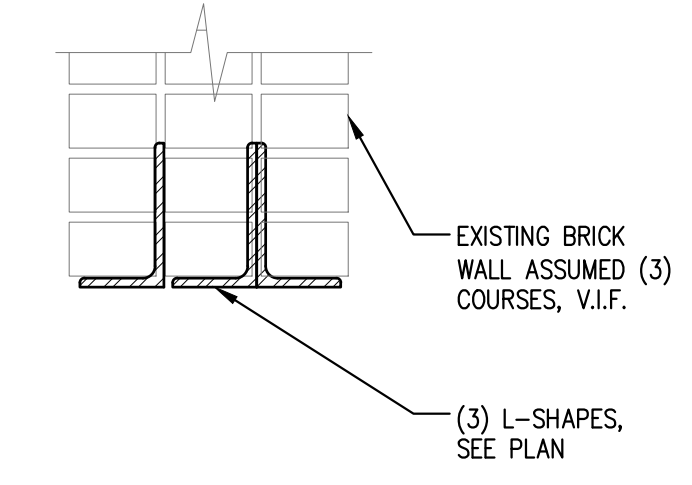
1 PIER SECTION  
3/4" = 1'-0"



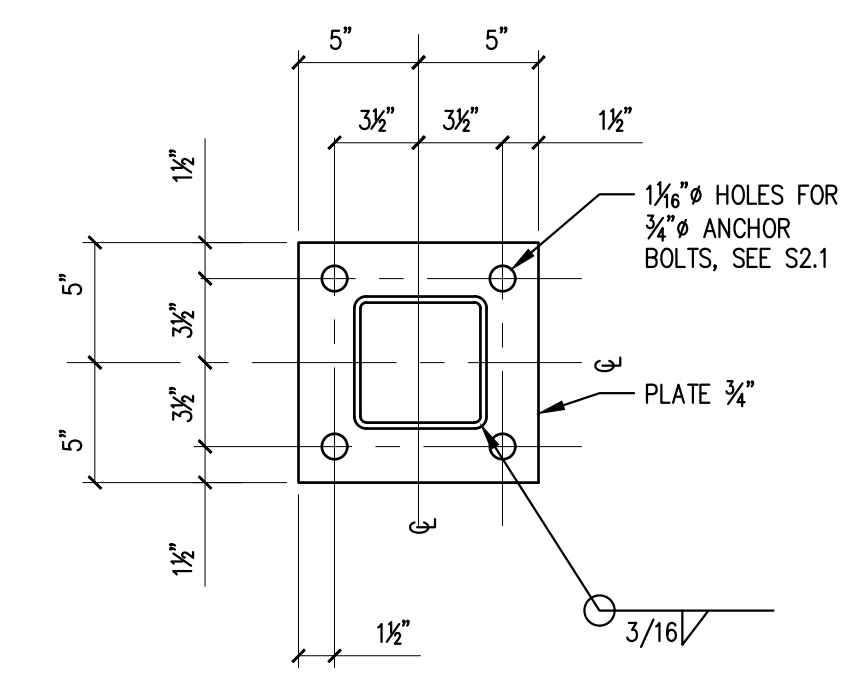
HSS 6x6 COL.  
PLAN VIEW



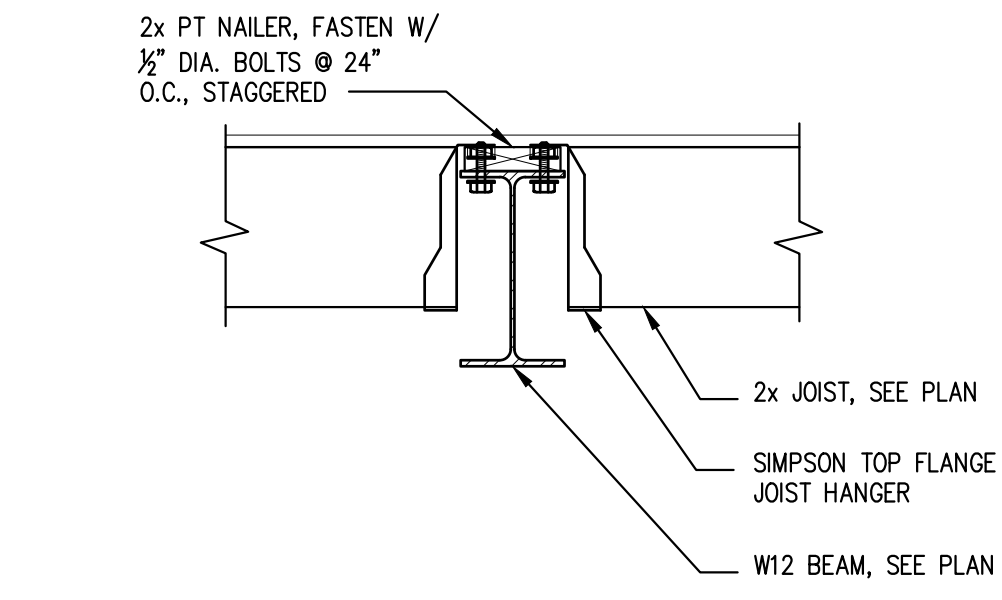
TYPICAL ANCHOR BOLT DETAIL  
SCALE: NTS



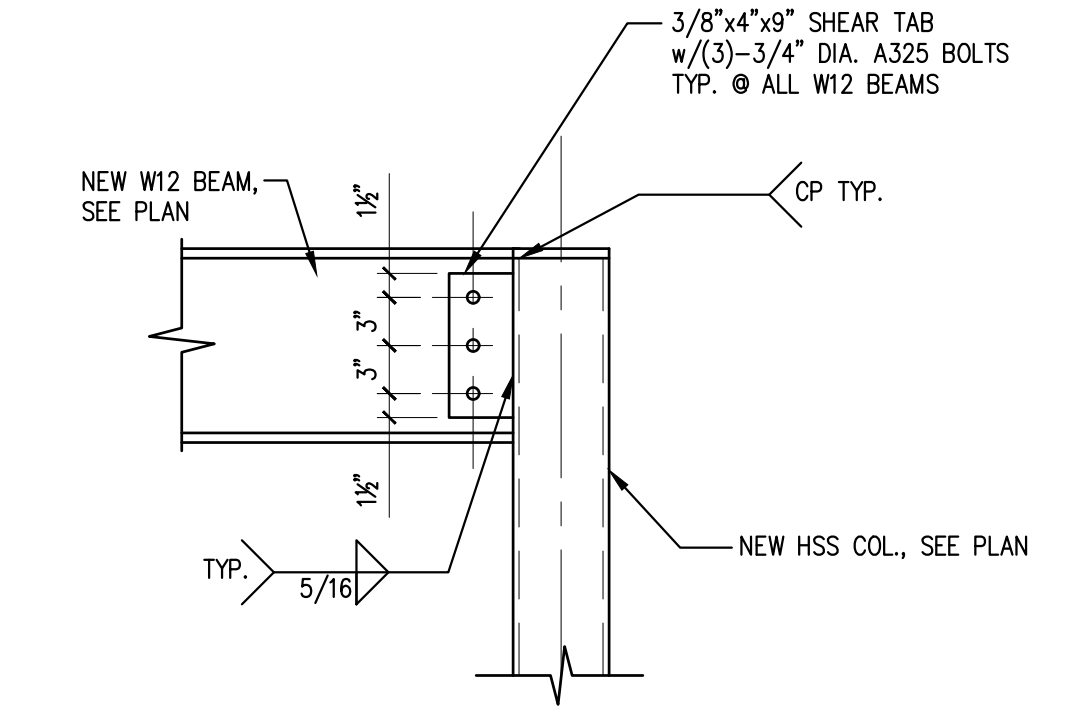
4 LINTEL SECTION  
N.T.S.



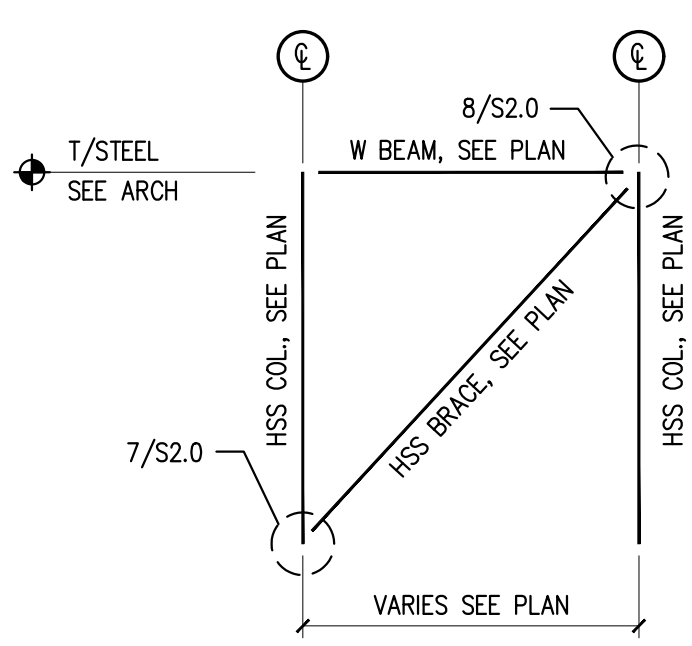
HSS 5x5 COL.  
PLAN VIEW



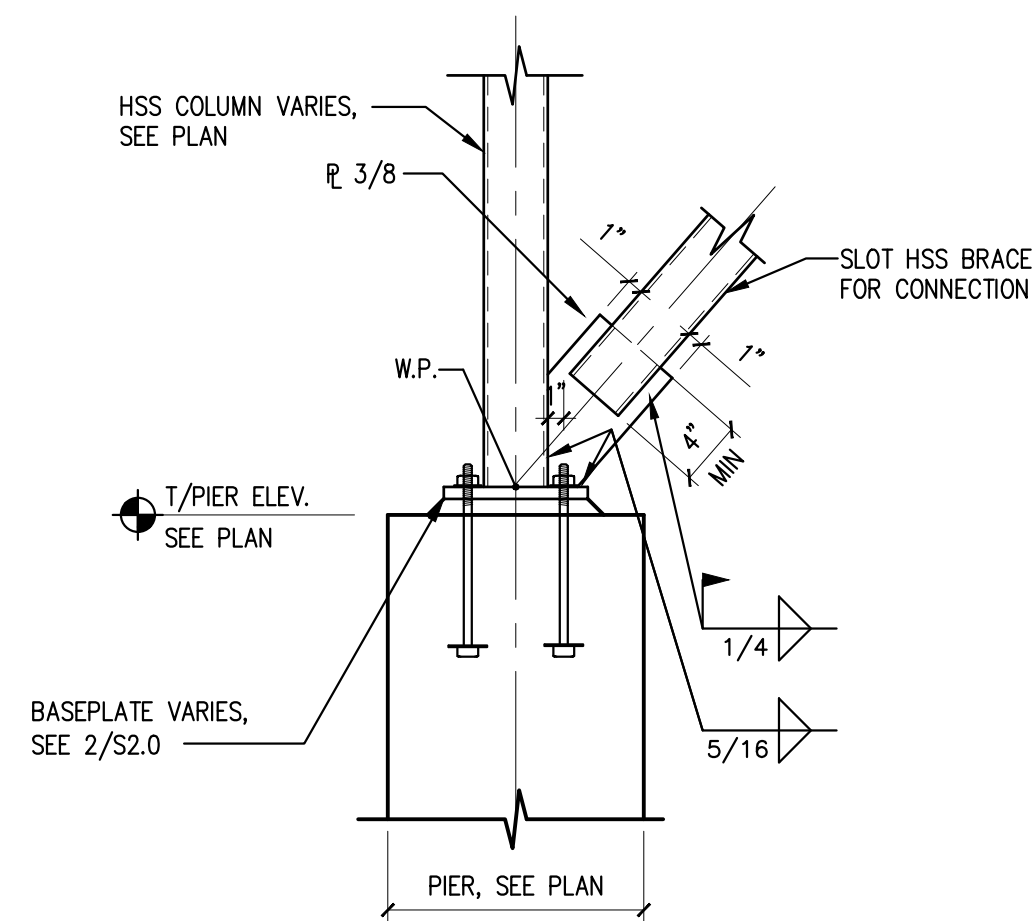
3 BEAM SECTION  
1"=1'



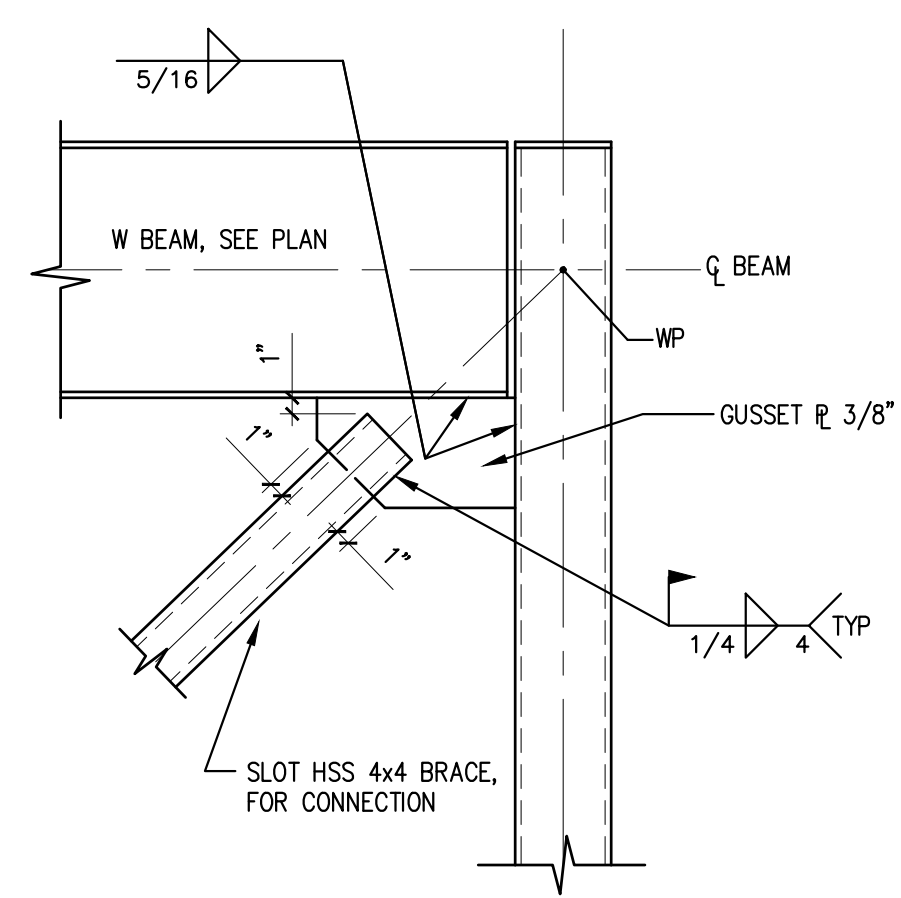
5 TYPICAL STEEL MOMENT CONNECTION  
N.T.S.



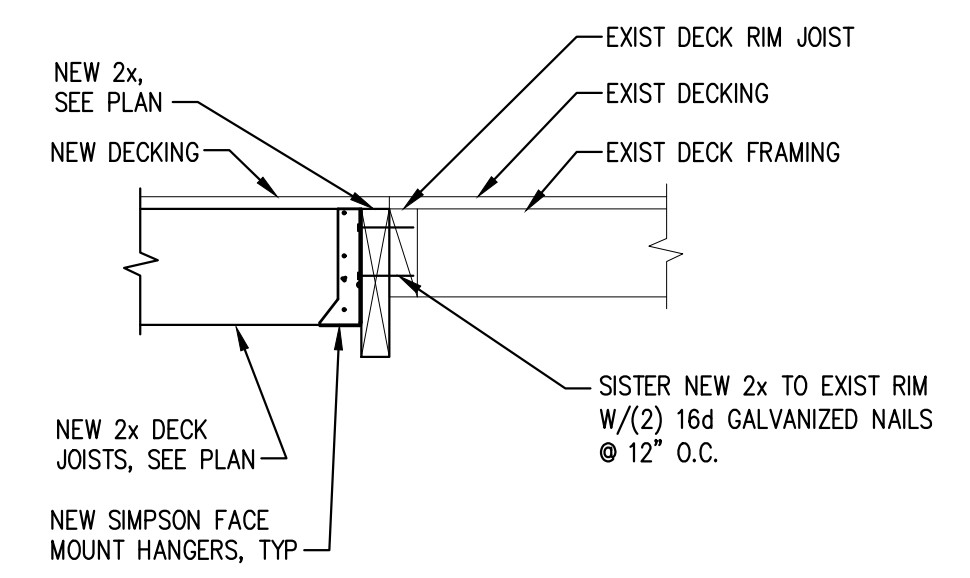
6 TYPICAL BRACE FRAME ELEVATION  
N.T.S.



7 DIAGONAL BRACING DETAILS  
N.T.S.



8 DIAGONAL BRACING DETAILS  
N.T.S.



9 SECTION  
N.T.S.

ISSUED	DR.	CHK.	DATE
DESCRIPTION	BY	BY	DATE
ISSUE FOR PERMIT	SD	KB	6-7-17
No.	A		

SHEET TITLE:

**DETAILS AND SECTIONS**

DESIGNED:	KB
DRAWN:	SD
DATE:	06-07-17
PROJECT NUMBER:	17-089