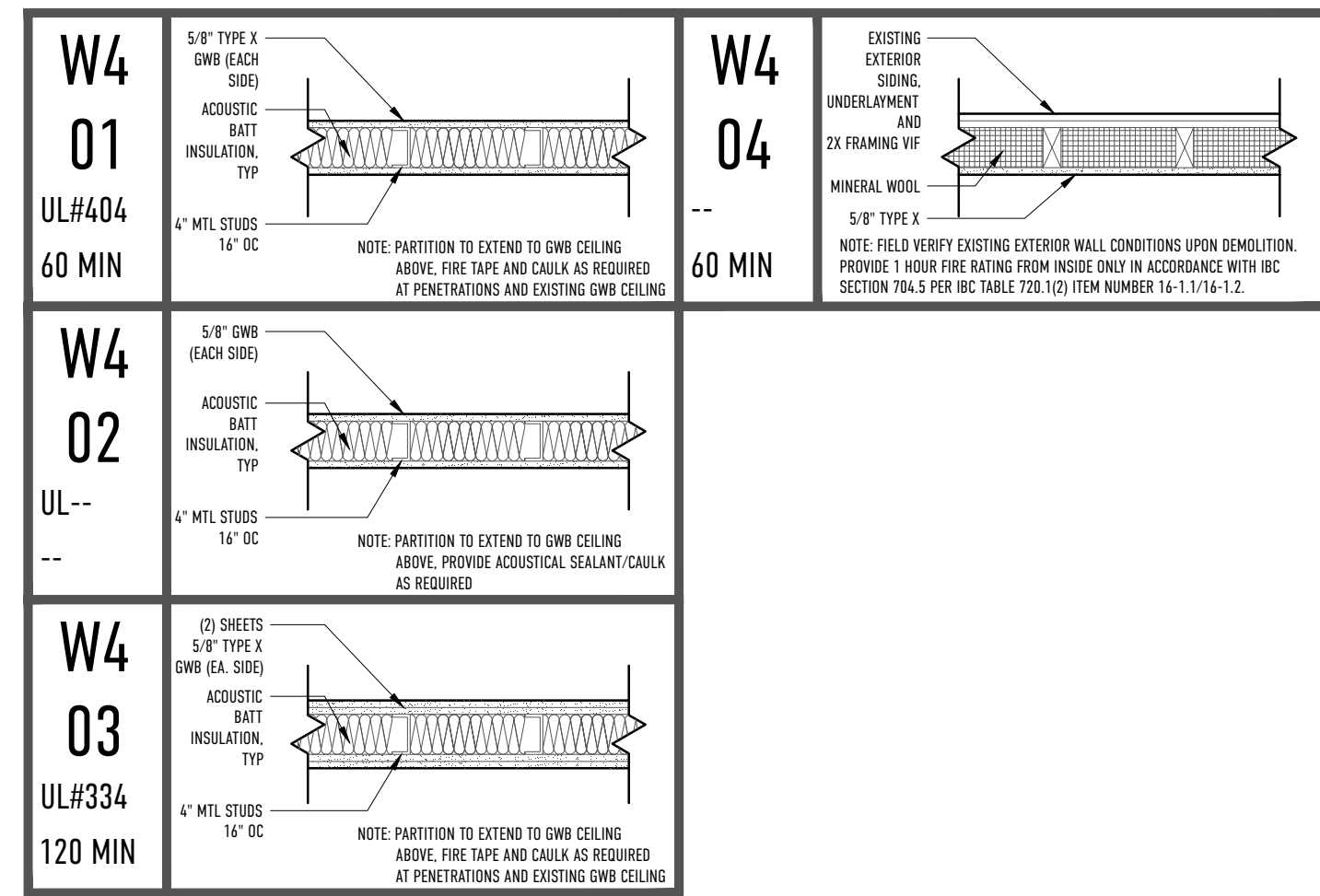


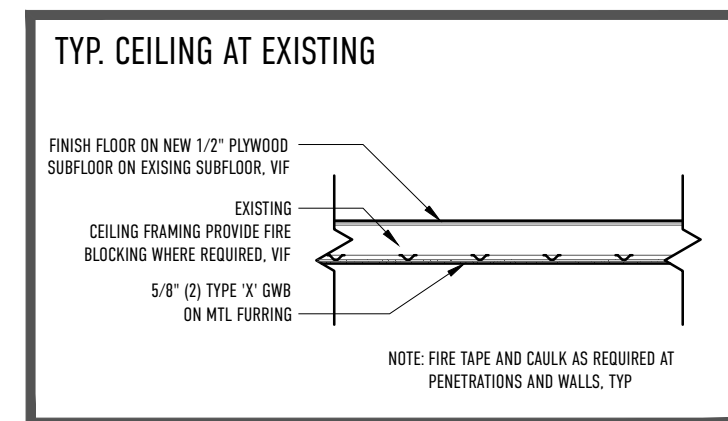
PARTITION TYPES:



GENERAL PARTITION NOTES:

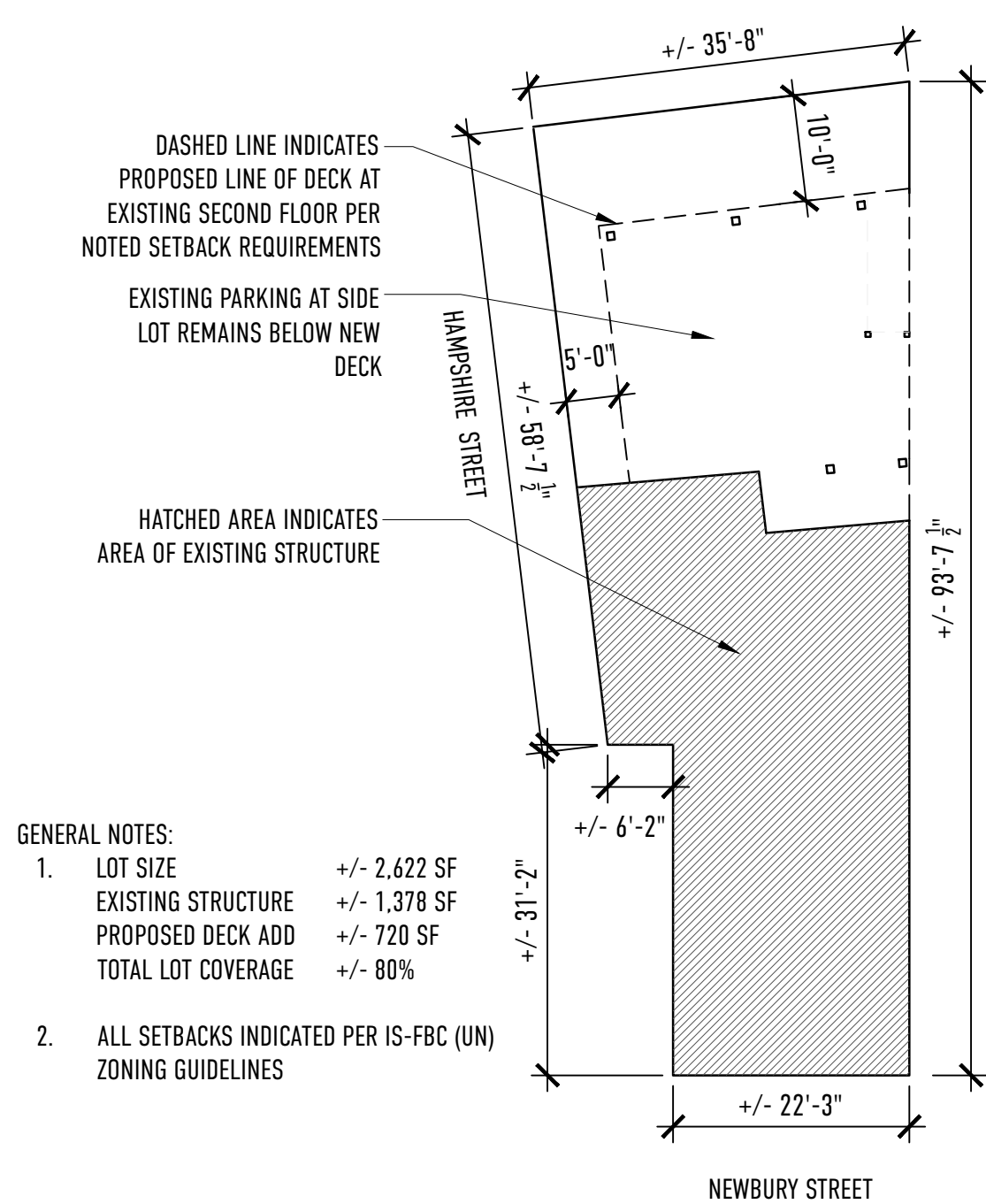
- REFER TO ROOM FINISH SCHEDULE FOR FINISH SURFACE TREATMENT AND CEILING HEIGHTS ASSOCIATED WITH PARTITIONS.
- PROVIDE WOOD BLOCKING BETWEEN ALL STUDS TO REINFORCE GWB WALLS AT THE FOLLOWING LOCATIONS:
 - A | BEHIND ALL DOORS RECEIVING WALL MOUNTED BUMPERS (DOORS INDICATED AS SWING AGAINST WALL).
 - B | AT ALL WALLS SCHEDULED TO RECEIVE WALL HUNG CABINETS, SHELVING, FIXTURES, ACCESSORY AND BASE CABINETS.
- STUD SPACING SHOWN ON PARTITION TYPES IS MINIMUM STANDARD.
- PROVIDE ACOUSTICAL SEALANT BENEATH ALL STUD RUNNERS AND AROUND ALL PENETRATIONS IN WALLS WITH SOUND BATTS.
- ALL BATHROOMS, JANITOR CLOSETS & KITCHENS TO HAVE 5/8" MOISTURE RESISTANT GWB/AND OR TILE BACKER BOARD.

TYPICAL CEILING ASSEMBLY:

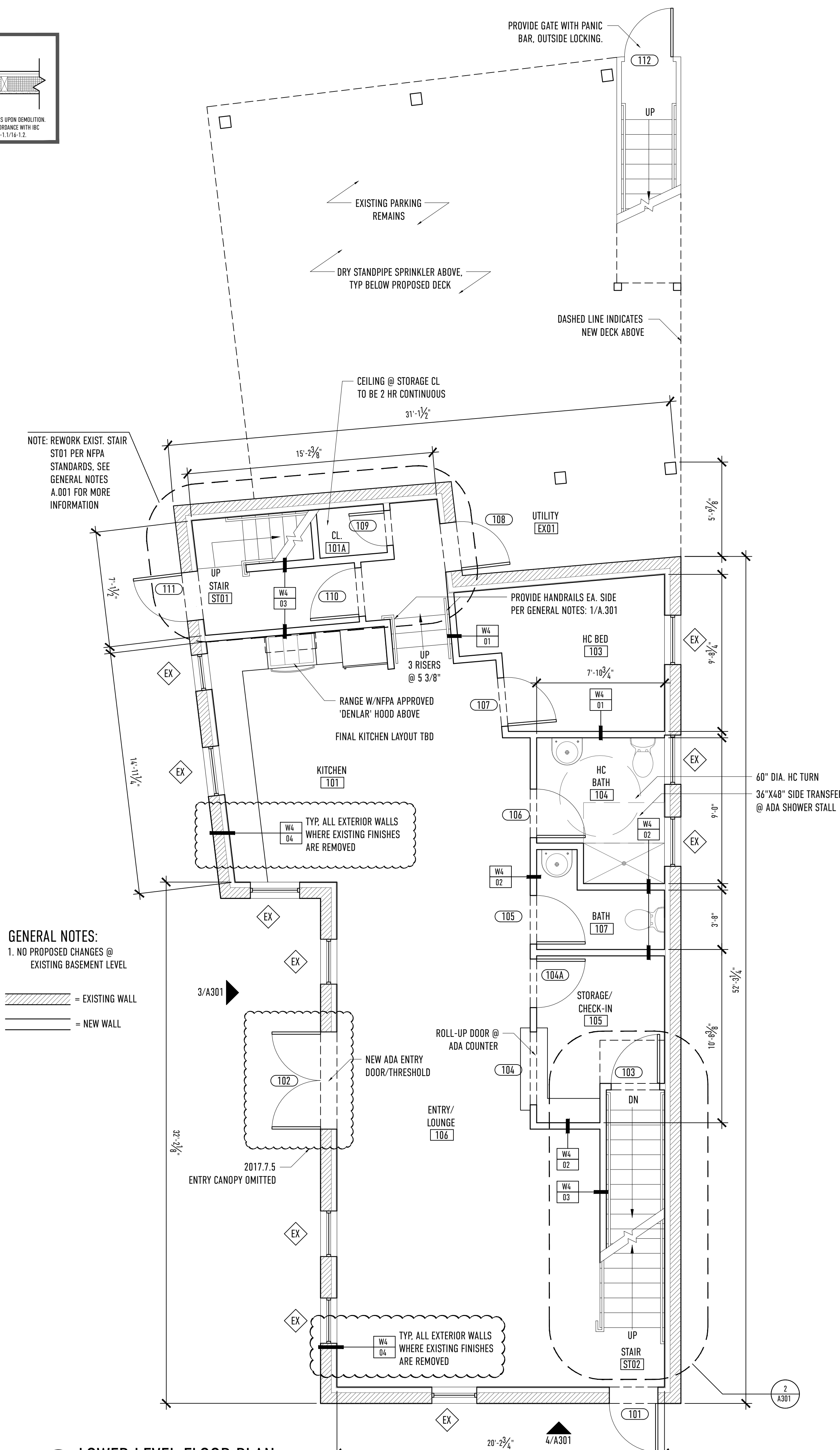


GENERAL CEILING ASSEMBLY NOTES:

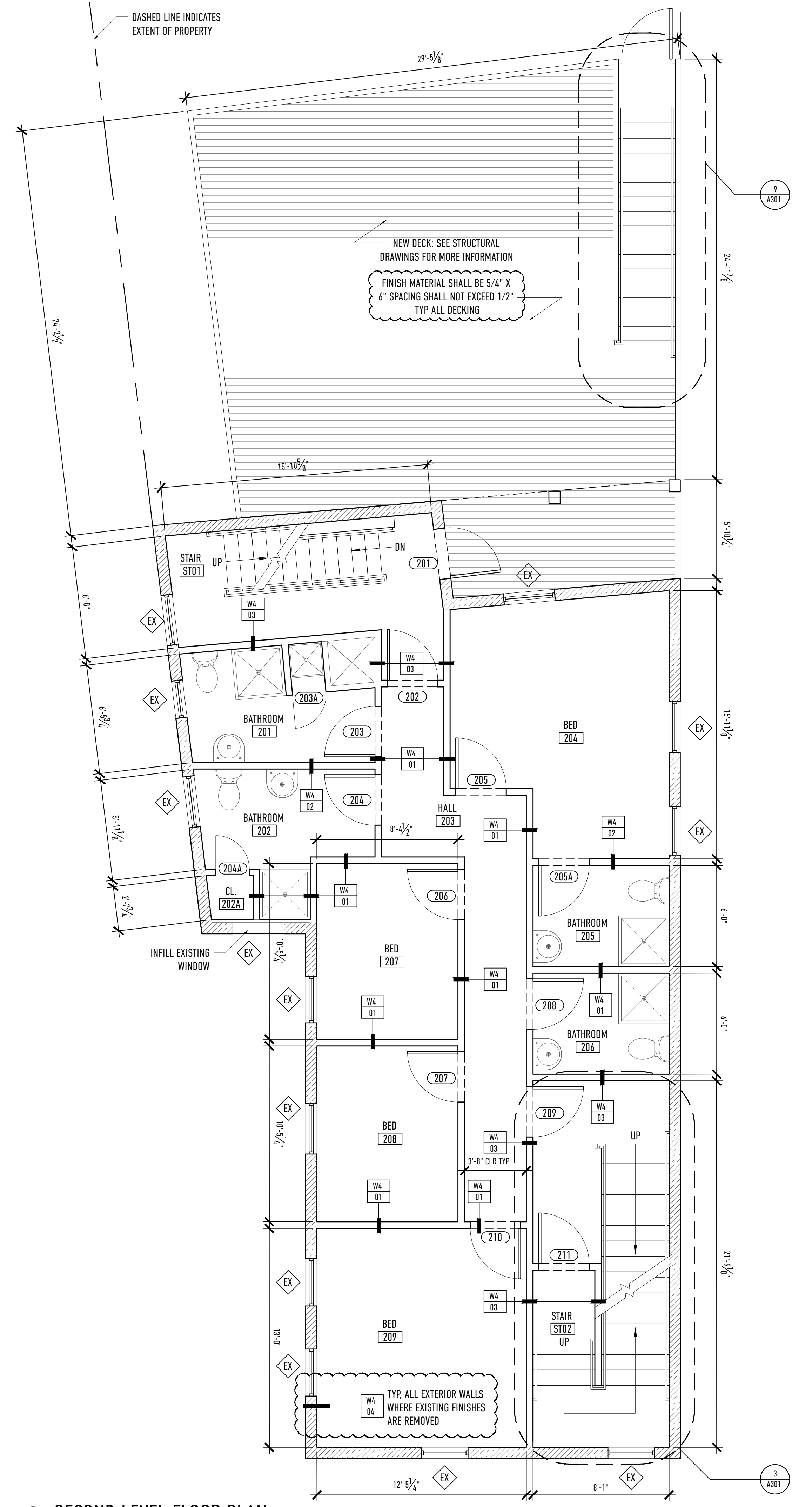
- ALL TYPICAL CEILING ASSEMBLIES TO PROVIDE 1 HR FIRE SEPARATION.



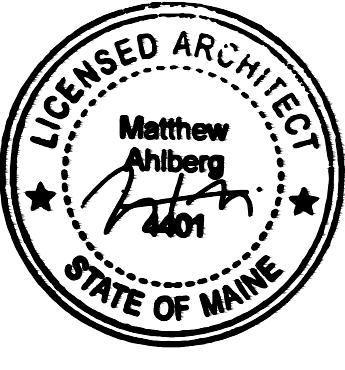
3 PROPOSED LOT LAYOUT PLAN
1/16" = 1'-0"



1 LOWER LEVEL FLOOR PLAN
1/4" = 1'-0"



2 SECOND LEVEL FLOOR PLAN
1/4" = 1'-0"



REVISIONS:
2017.8.24 | CODE REVIEW UPDATES
2017.7.5 | CANOPY REMOVED

33 HAMPSHIRE STREET
FLOOR PLANS

DRAWING TITLE:
A.101

PROJECT NAME:
RENOVATIONS AND ALTERATIONS
33 HAMPSHIRE STREET
PORTLAND, MAINE 04101

DATE OF ISSUE:
AUGUST 24, 2017

ISSUED FOR:
PERMIT SET

SCALE:
AS NOTED

**BARRETT
MADE**
HOMES - SPACES - DETAILS