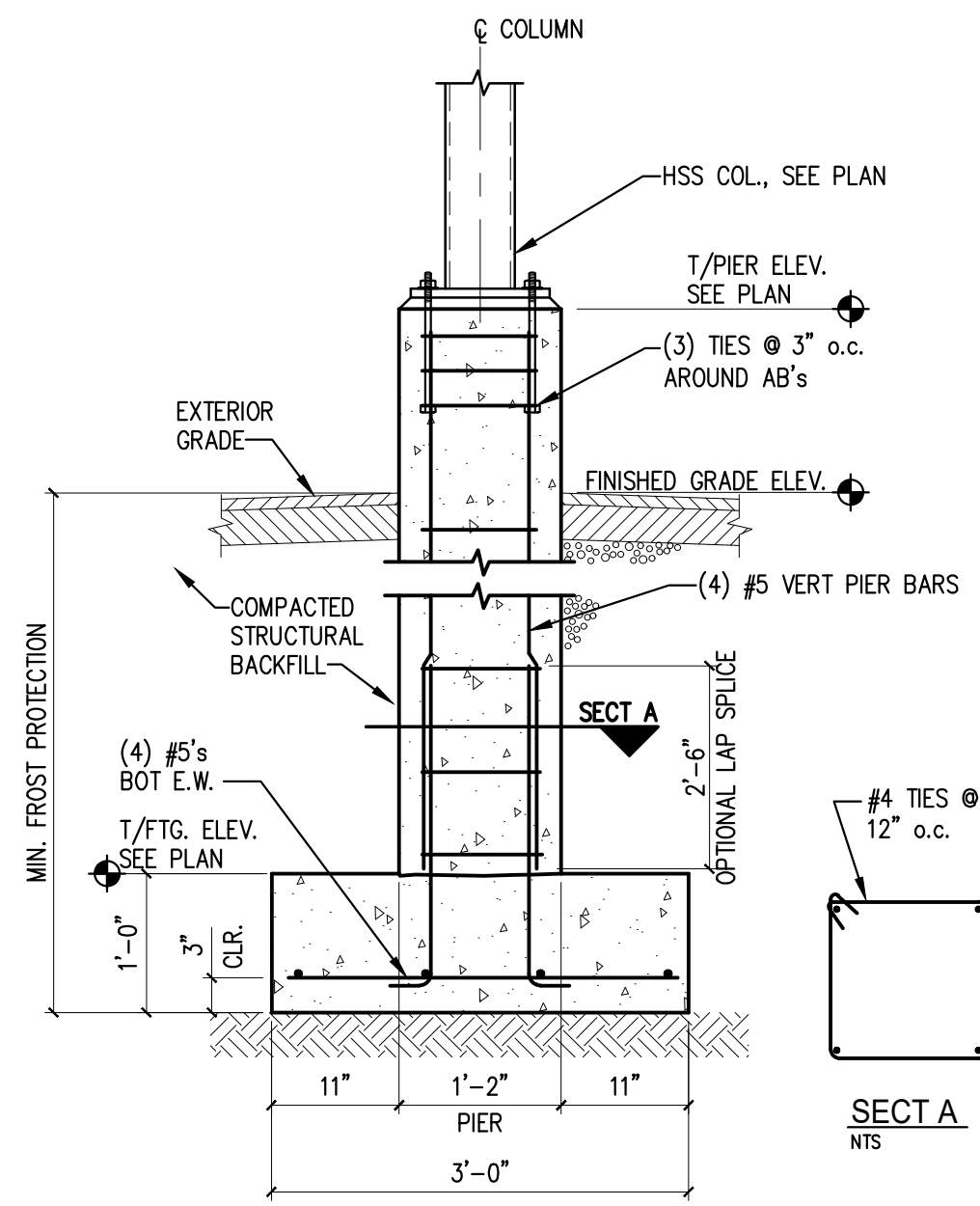
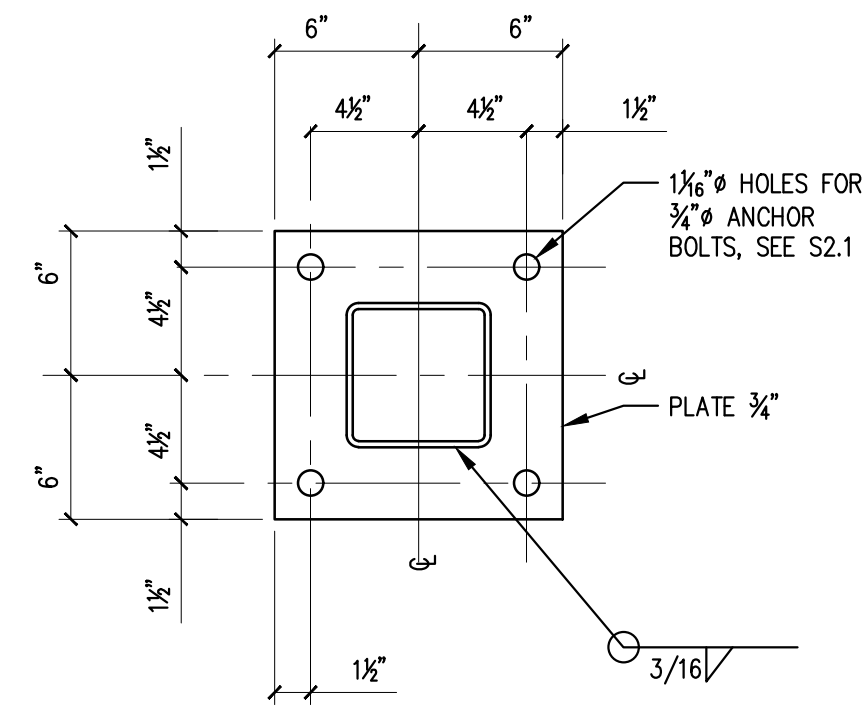


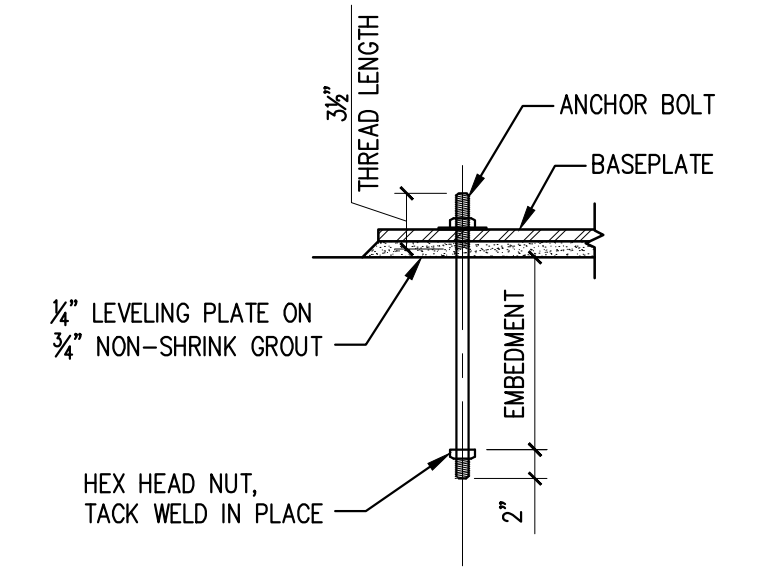
PRINTED: Jun 07, 2017



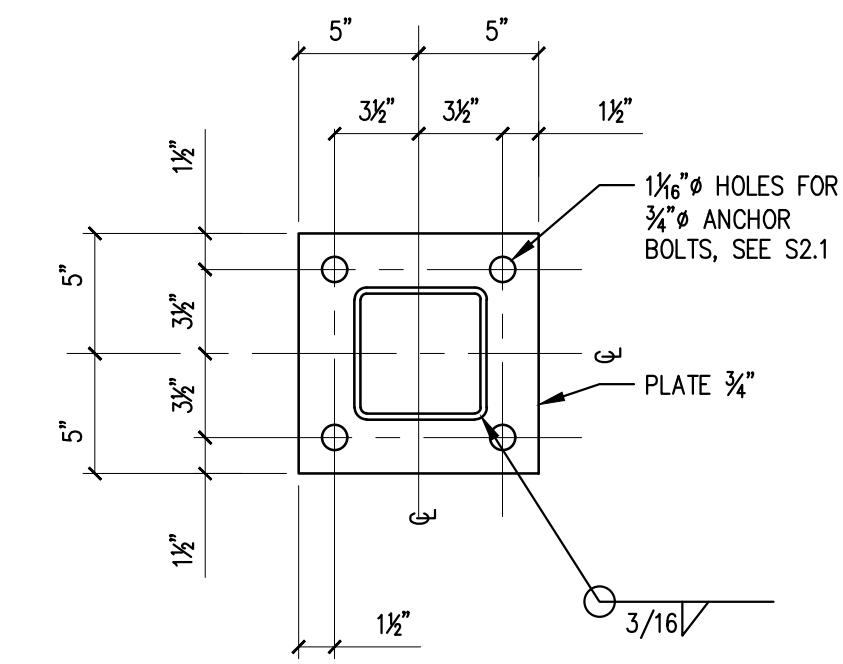
1 PIER SECTION 3/4\" = 1'-0"



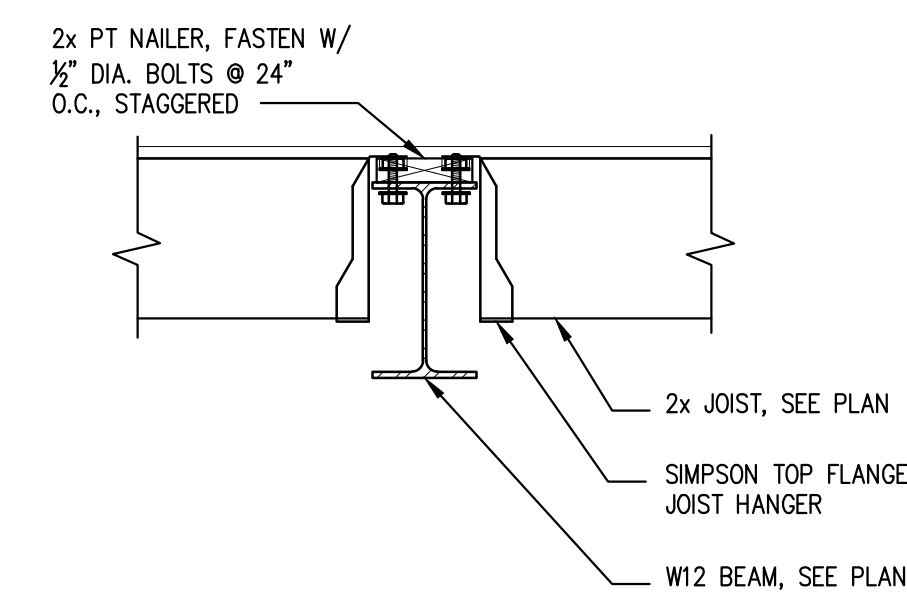
HSS 6x6 COL.
PLAN VIEW



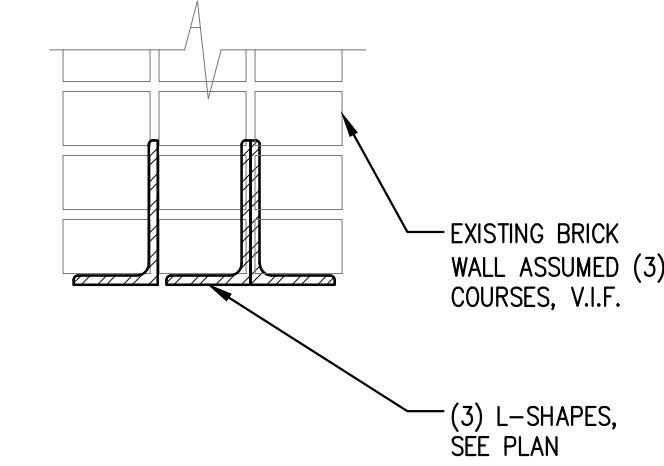
TYPICAL ANCHOR BOLT DETAIL
SCALE: NTS



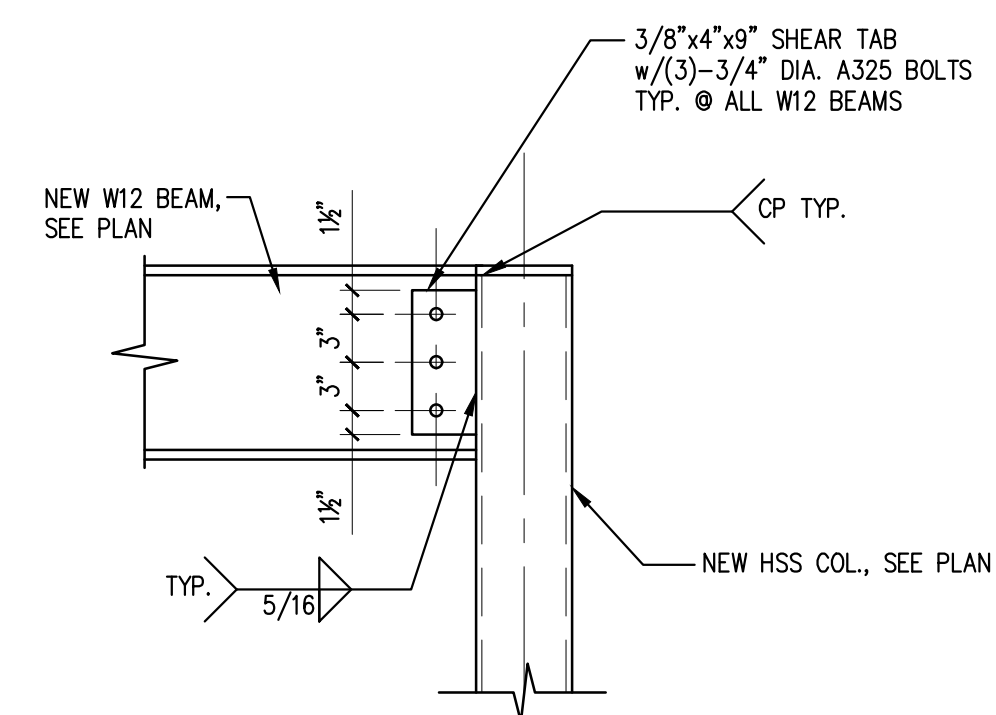
HSS 5x5 COL.
PLAN VIEW



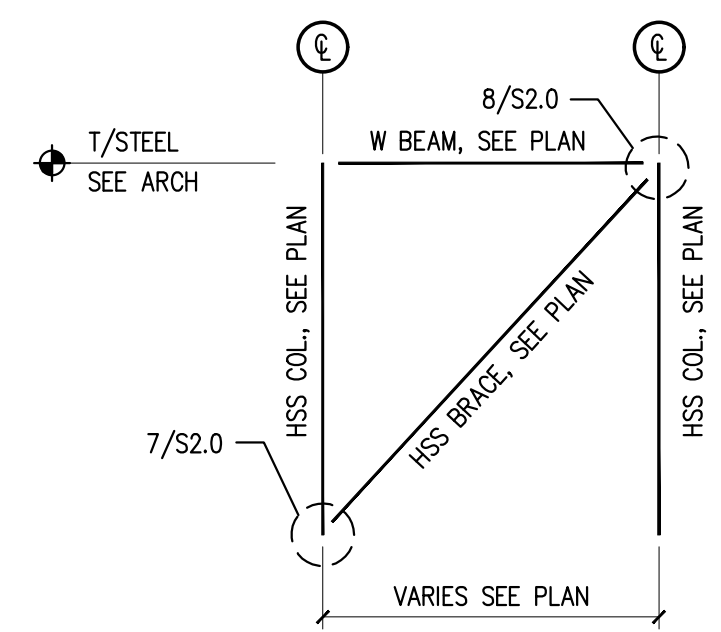
3 BEAM SECTION 1\" = 1"



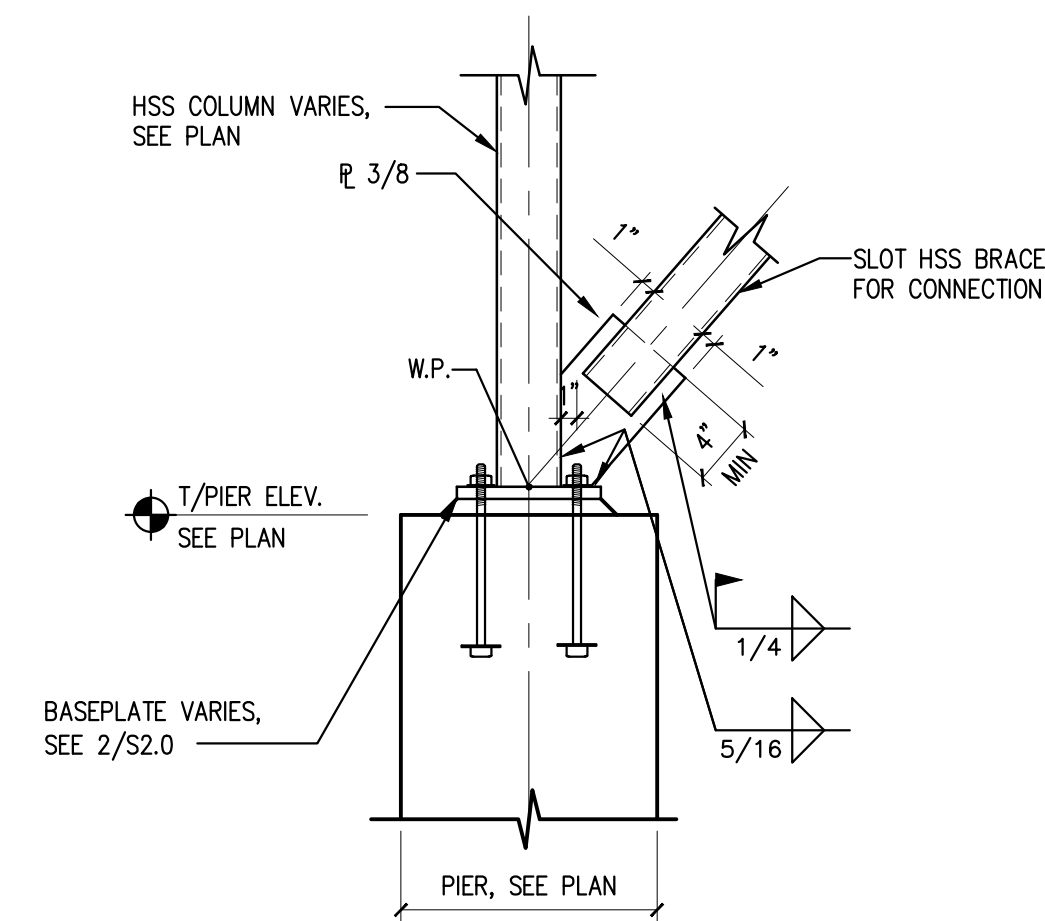
4 LINTEL SECTION N.T.S.



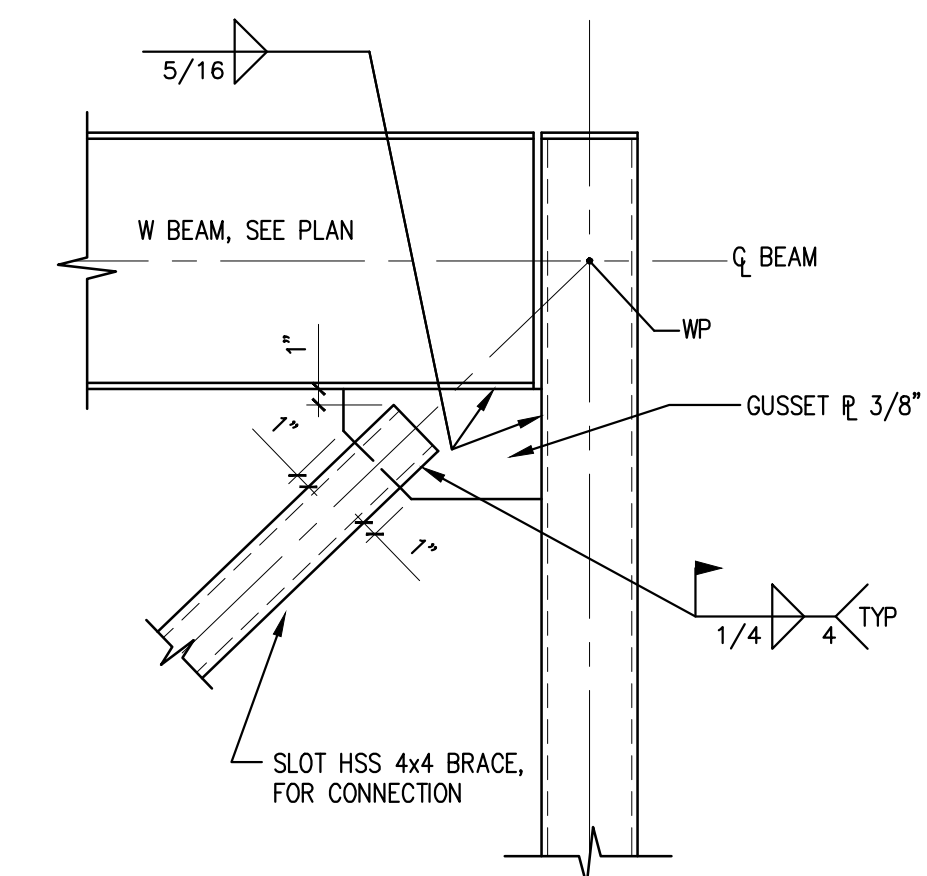
5 TYPICAL STEEL MOMENT CONNECTION N.T.S.



6 TYPICAL BRACE FRAME ELEVATION N.T.S.



7 DIAGONAL BRACING DETAILS N.T.S.



8 DIAGONAL BRACING DETAILS N.T.S.

ISSUED	NO.	DESCRIPTION	DR.	CHK.	DATE
			BY	BY	
	A	ISSUE FOR PERMIT	SD	KB	6-7-17

SHEET TITLE:

DETAILS AND SECTIONS

DESIGNED:	KB
DRAWN:	SD
DATE:	06-07-17
PROJECT NUMBER:	17-089