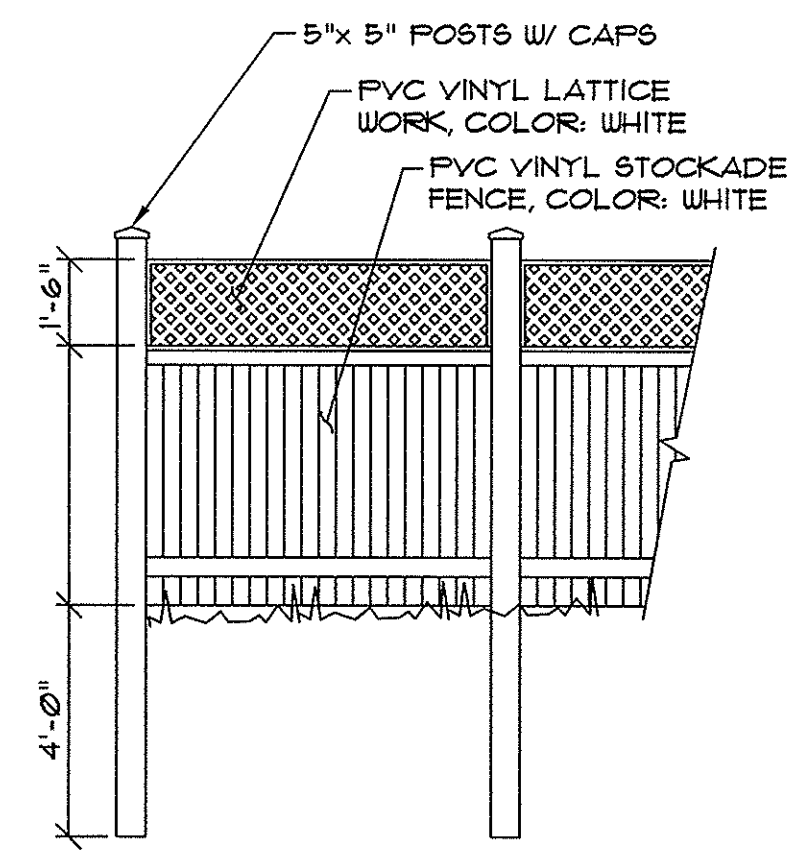
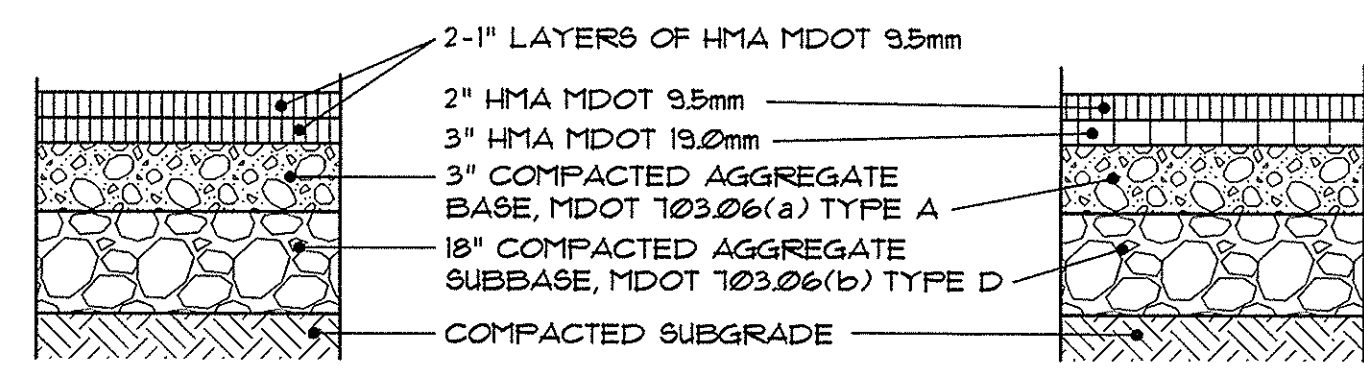


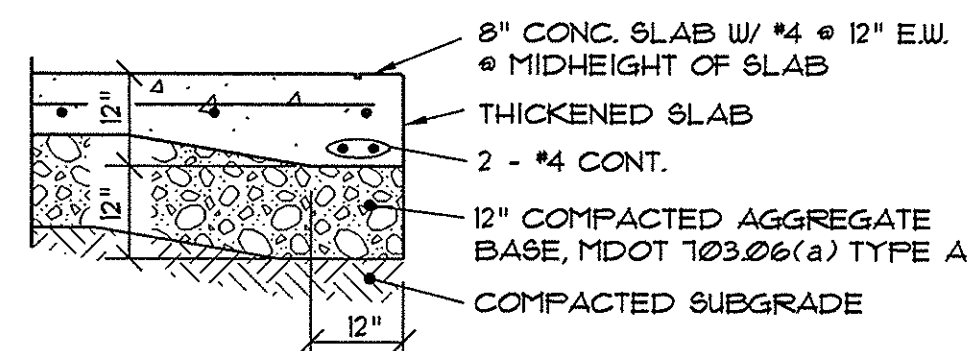
**6 STEEL BOLLARD DETAIL**  
NOT TO SCALE



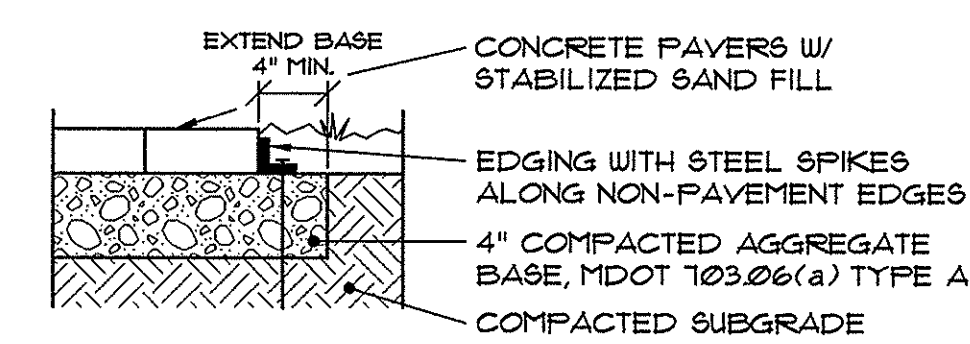
**5 FENCE DETAIL**  
NOT TO SCALE



**NEW PAVEMENT PAVEMENT REPAIR AT TRENCHES**



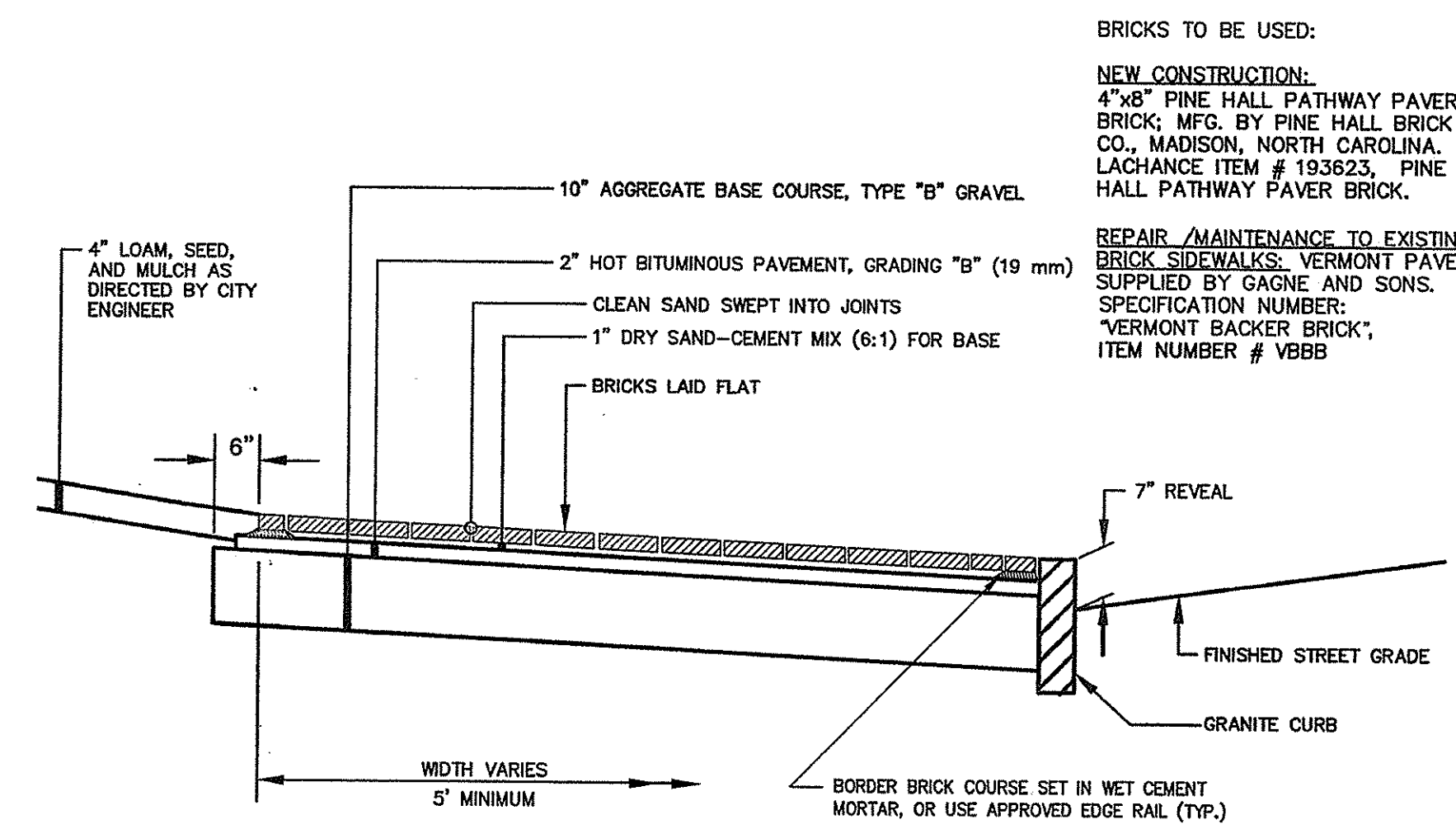
**CONCRETE EQUIPMENT PADS**



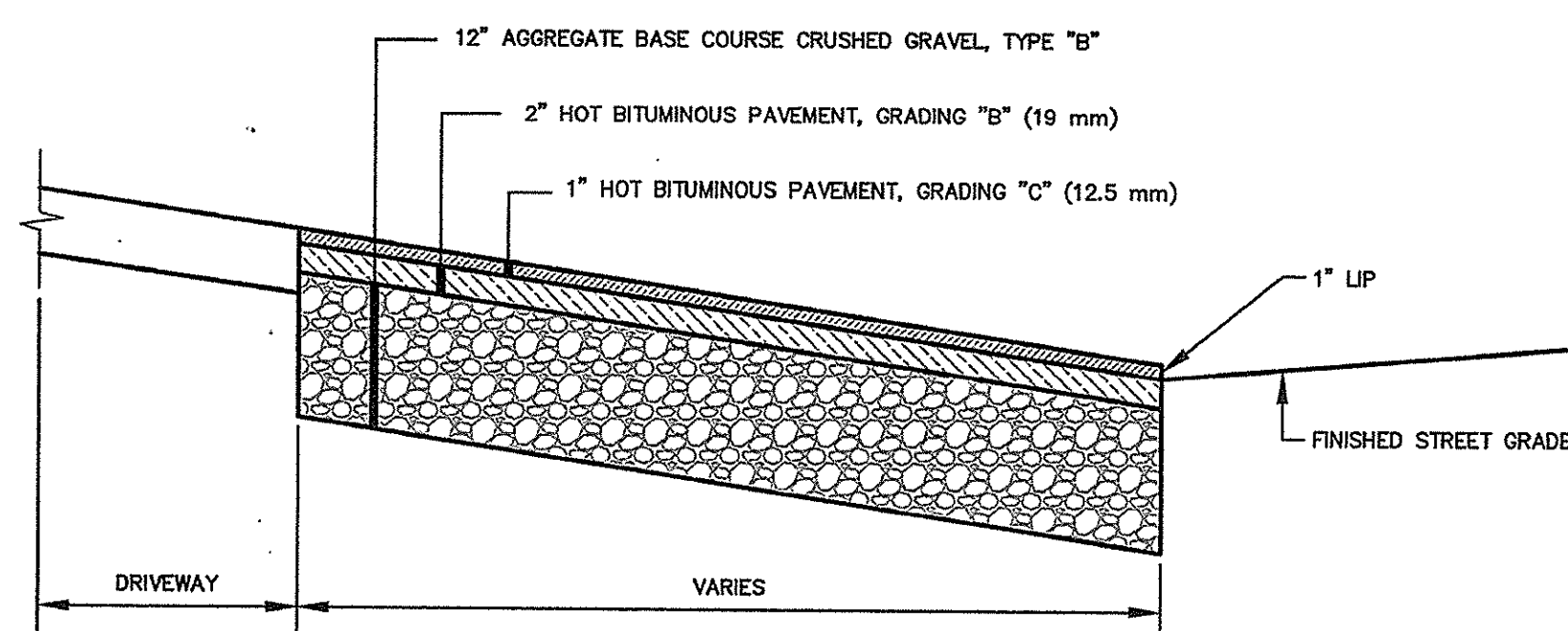
**CONCRETE PAVERS**

- NOTES:**
- HMA = HOT MIX ASPHALT. MDOT = MAINE DEPARTMENT OF TRANSPORTATION.
  - ALL COURSE THICKNESS AFTER FINAL COMPACTION.

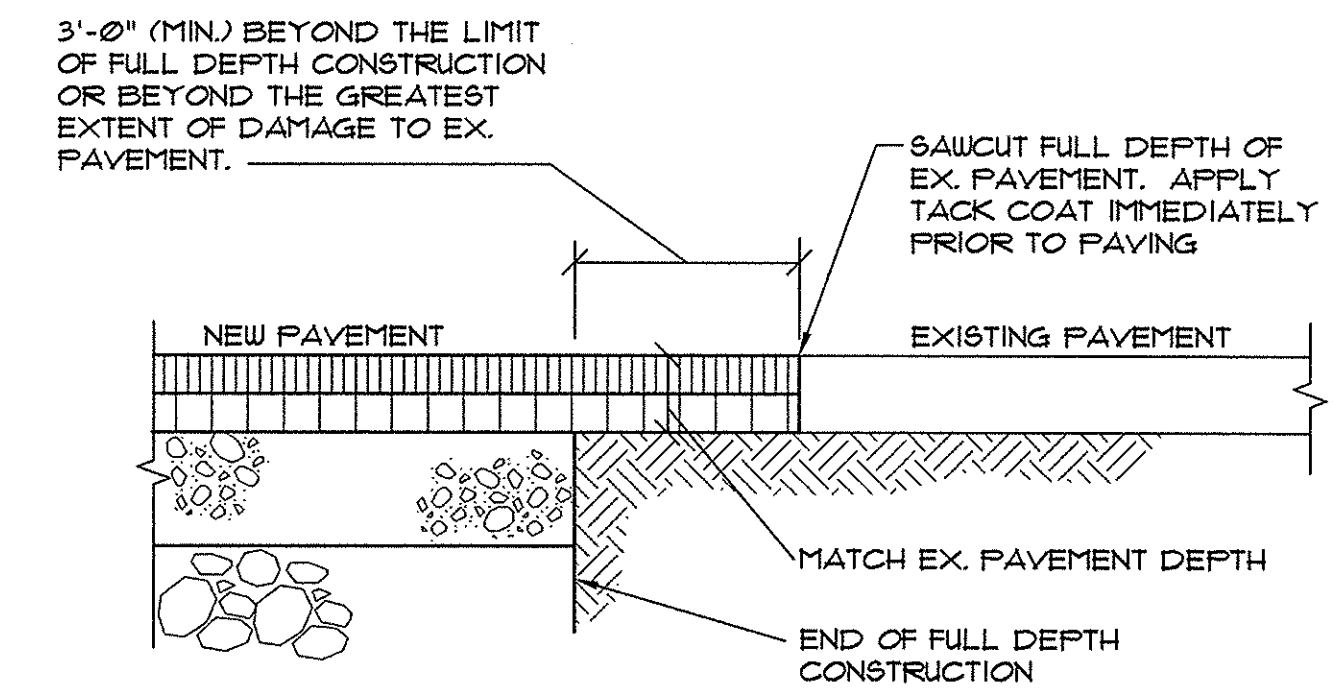
**4 BITUMINOUS PAVEMENT SECTIONS**  
NOT TO SCALE



**4 BRICK SIDEWALK WITH BITUMINOUS BASE (I-10)**  
NOT TO SCALE

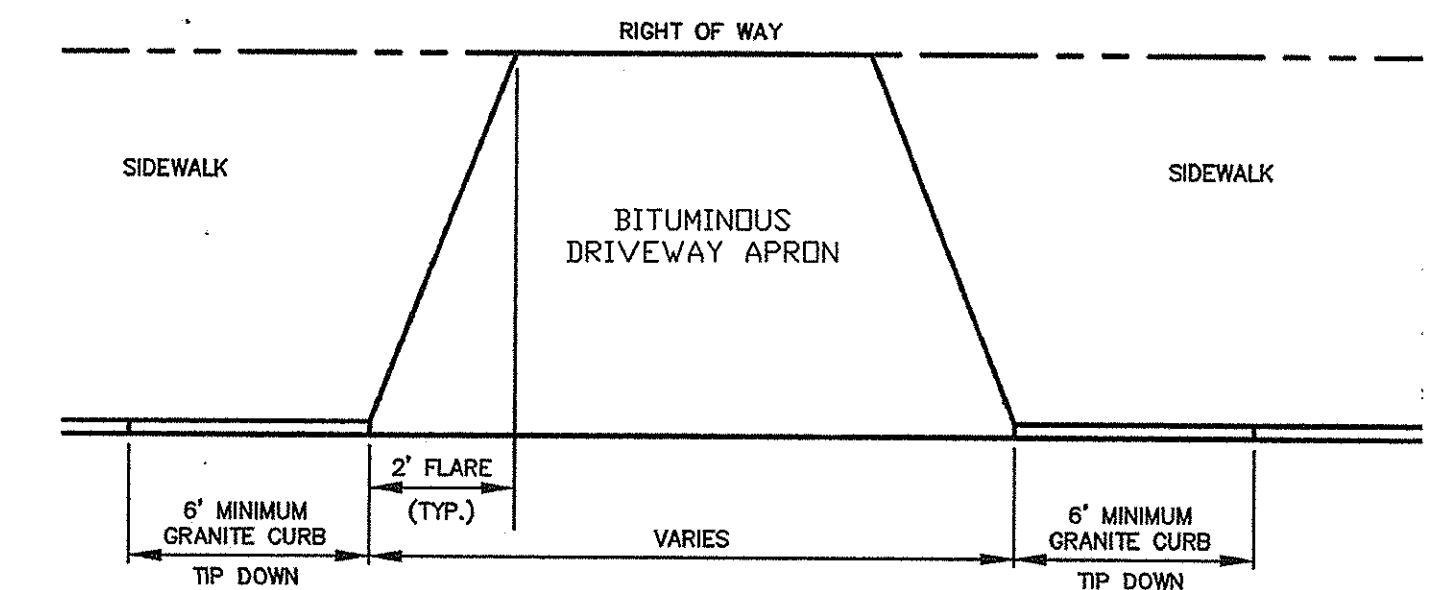


**5 BITUMINOUS DRIVEWAY APRON (I-13)**  
NOT TO SCALE

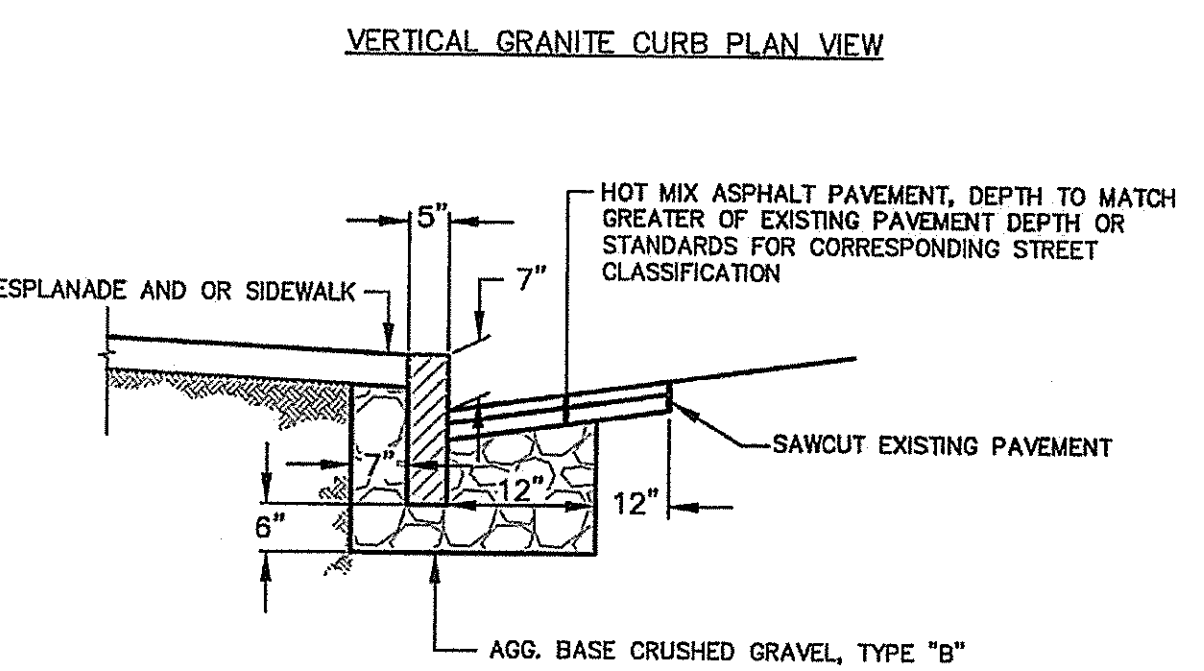
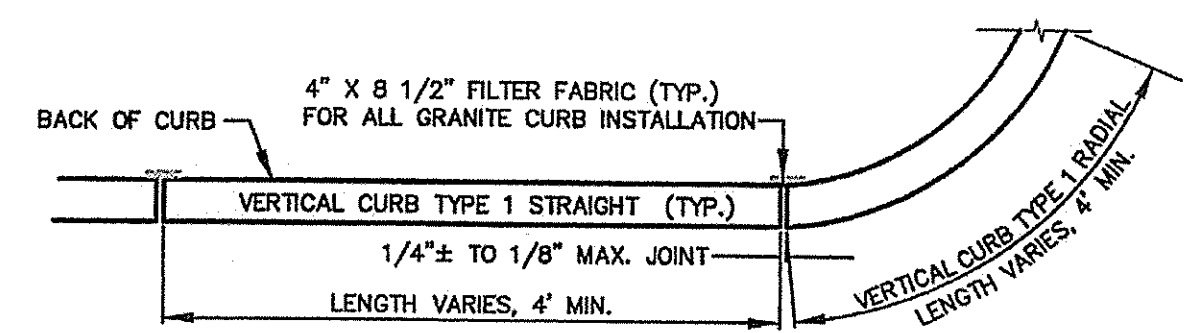
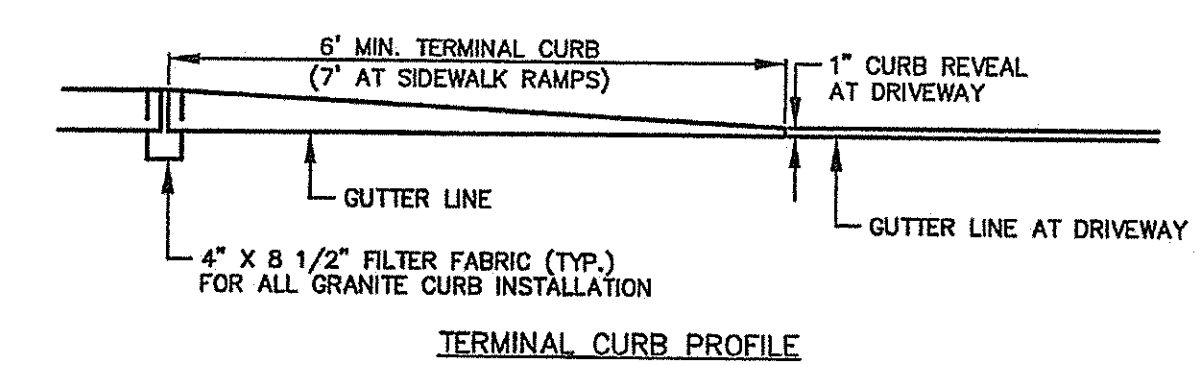


**1 PAVEMENT CUTTING & MATCHING SECTION**  
NOT TO SCALE

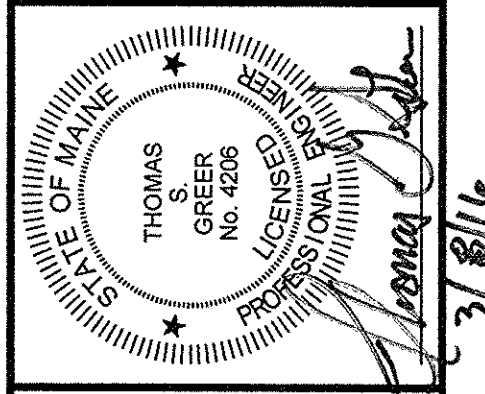
**NOTE:** MATCH GRADE OF EXISTING DRIVEWAY AT R.O.W. LINE, EXCEPT WHEN DIRECTED OTHERWISE BY CITY ENGINEER.



**2 DRIVEWAY APRON LAYOUT (I-9)**  
NOT TO SCALE



**3 VERTICAL GRANITE CURB INSTALLATION IN EXISTING STREET (I-17)**  
NOT TO SCALE



REV.	DATE	REVISION	DESCRIPTION
1	3/8/16		REVISED PER STAFF REVIEW COMMENTS

LUMINATO CONDOMINIUM, LLC  
118 CONGRESS STREET, UNIT 401  
PORTLAND, MAINE

SCALE: AS SHOWN  
DATE: JANUARY 22, 2016  
PROJECT: 15178

DRN BY: JDC  
DESIGN BY: TSG  
CHK BY: JCB

LUMINATO CONDOMINIUMS  
169 NEWBURY STREET, PORTLAND, MAINE

**SITE DETAILS**