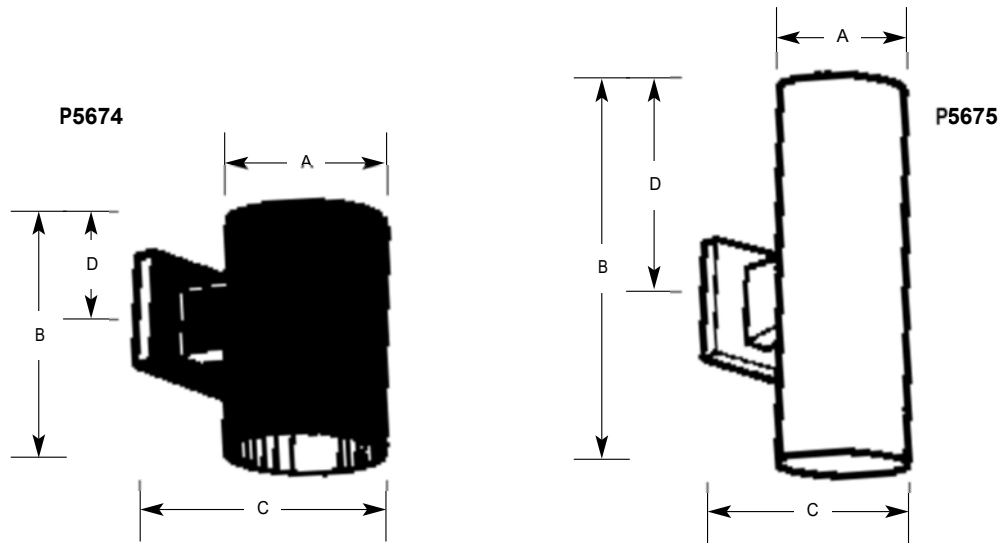


	Type			
	-20	-30	-31	-82
P5674	<input type="checkbox"/>	<input type="checkbox"/>	<input type="checkbox"/>	<input type="checkbox"/>
P5675	<input type="checkbox"/>	<input type="checkbox"/>	<input type="checkbox"/>	<input type="checkbox"/>

Catalog No.	Finish				Lamping	Dimensions (Inches)			
	Bronze	White	Black	Metallic Gray		A	B	C	D
P5674	-20	-30	-31	-82	1-75w PAR30, 65w BR30	5	7-1/4	8	2-1/2
P5675	-20	-30	-31	-82	2-75w PAR30	5	14	8	7



**Specifications:**

General

- Extruded aluminum .125 wall thickness one piece cylinder
- Cast aluminum wall bracket
- P5674 - Down lighting
- P5675 - Up/Down lighting. P8799-31 top cover lens recommended when unit is used outdoors
- Interior finish matches exterior finish

Mounting

- Covers any outlet box
- Cast mounting bracket is 4-1/2" square
- Outlet box mounting bracket supplied permitting attachment of unit to wall with one almost invisible set screw

Electrical

- Medium base porcelain socket with nickel plated brass screw shell

Options

- Bronze finish - specify "20" suffix
- White finish - specify "30" suffix
- Black finish - specify "31" suffix
- Metallic Gray finish - specify "82" suffix

Accessories

- P8799-31 Top lens cover for P5675 fixture

Labeling

- UL-CUL wet location listed - P5674 and P5675 with top cover
- P5675 UL-CUL listed for indoor use with no cover