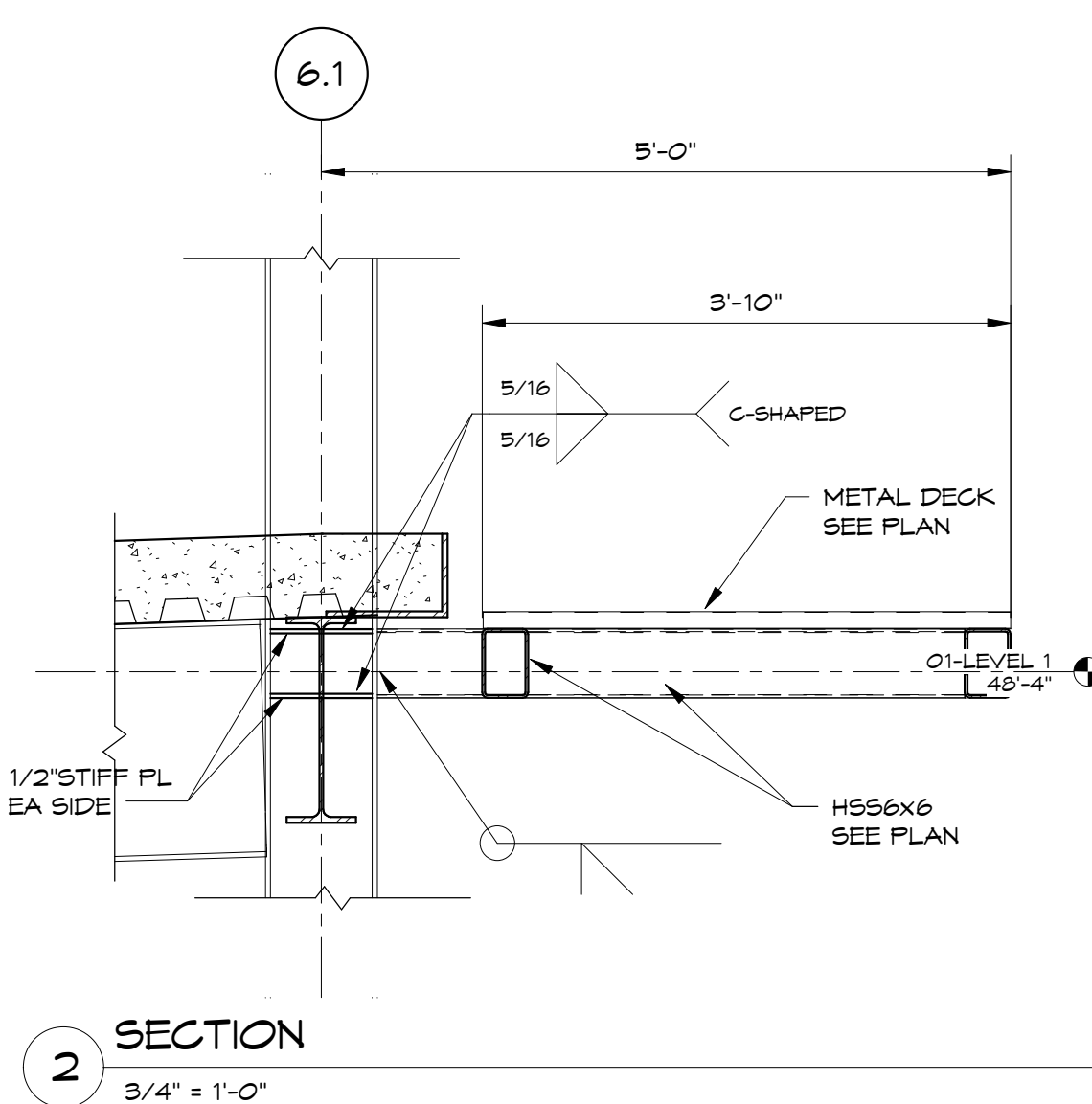


NOTE:  
FOR COLUMN & PIER  
INFO NOT SHOWN,  
SEE DWG. S100

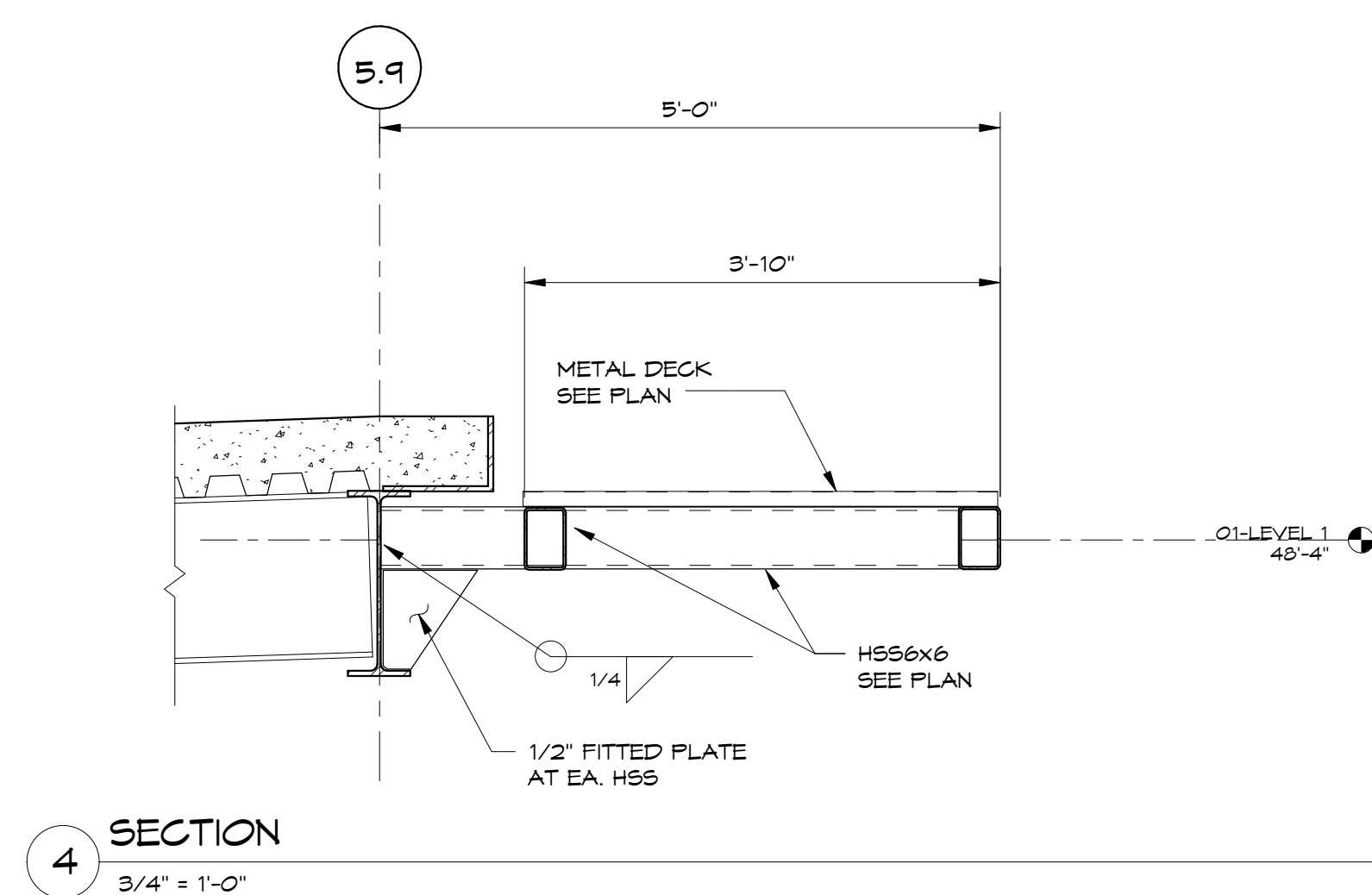
**FLOOR FRAMING NOTES:**

1. FOR TYPICAL DETAILS AND GENERAL NOTES SEE DRAWING S201 THRU S205.
2. TOP OF STEEL SHALL BE AT EL. XX'-XX" UNLESS NOTED OTHERWISE.
3. (+ 0") INDICATES DEVIATION FROM TOP OF STEEL ELEVATION.
4. "C..." INDICATES COLUMN MARK. FOR COLUMN AND BASE PLATE SIZES SEE COLUMN SCHEDULE DRAWING S301.
5. "(X)" INDICATES THE NUMBER OF EQUALLY SPACED 3/4" DIA. x 4" LONG HEADED SHEAR STUDS.
6. "(X,X,X)" INDICATES THE NUMBER OF 3/4" DIA. x 4" LONG HEADED SHEAR STUDS BETWEEN MEMBERS FRAMED PERPENDICULAR TO GIRDER.
7. "EOD" INDICATES EDGE OF POUR STOP AND / OR EDGE OF DECK. DIMENSION FROM COLUMN GRIDLINE OR CL. OF BEAM IF NO COLUMN GRIDLINE.
8. USE CHAIRS SPACED AT 4'-0" O.C. TO SUPPORT #4 BARS TO PROVIDE 1" CLEAR COVER.
9. "49K" INDICATES CONNECTION DESIGN SHEAR (ASD). IF REACTION IS NOT SHOWN, REFER TO SPECIFICATIONS & GENERAL NOTES.
10. "C..." INDICATES AMOUNT OF CAMBER.
- 11.
12. INDICATES GRAVITY MOMENT CONNECTION. FOR DETAILS SEE DRAWING S203.
13. "BRACE X" INDICATES A BRACED FRAME. SEE DRAWING S302 FOR BRACE ELEVATIONS AND DETAILS.
14. "TOC EL." INDICATES TOP OF CONCRETE SLAB ELEVATION.
15. "TOS EL." INDICATES TOP OF STEEL ELEVATION.
16. "BOS EL." INDICATES BOTTOM OF STEEL ELEVATION.
17. INDICATES SPAN OF METAL DECK.

**1 FIRST FLOOR FRAMING PLAN**  
3/16" = 1'-0"



**2 SECTION**  
3/4" = 1'-0"



**4 SECTION**  
3/4" = 1'-0"

Prepared For:		<b>NewHeight Group</b>		118 Congress Street, Unit 401 Portland, Maine	
Consulting Engineer:		<b>VEITAS VEITAS</b>		engineers	
Architect:		<b>ARCHETYPE</b>		architects	
Project:		<b>LUMINATO</b>		48 Union Wharf Portland, Maine 04101 (207) 775-6022 ARCHETYPE@ARCHETYPEPA.COM	
Revisions:	Date:	Scale:	<b>FIRST FLOOR FRAMING PLAN</b>		
05/16/16 06/07/16 06/24/16 07/20/16 08/05/16	04/19/16	As indicated			
FOUNDATION PERMIT 80% REVIEW DRAWINGS 100% STRUCTURAL DRAWINGS 100% CONSTRUCTION DRAWINGS ADDENDUM #A					
			S101		