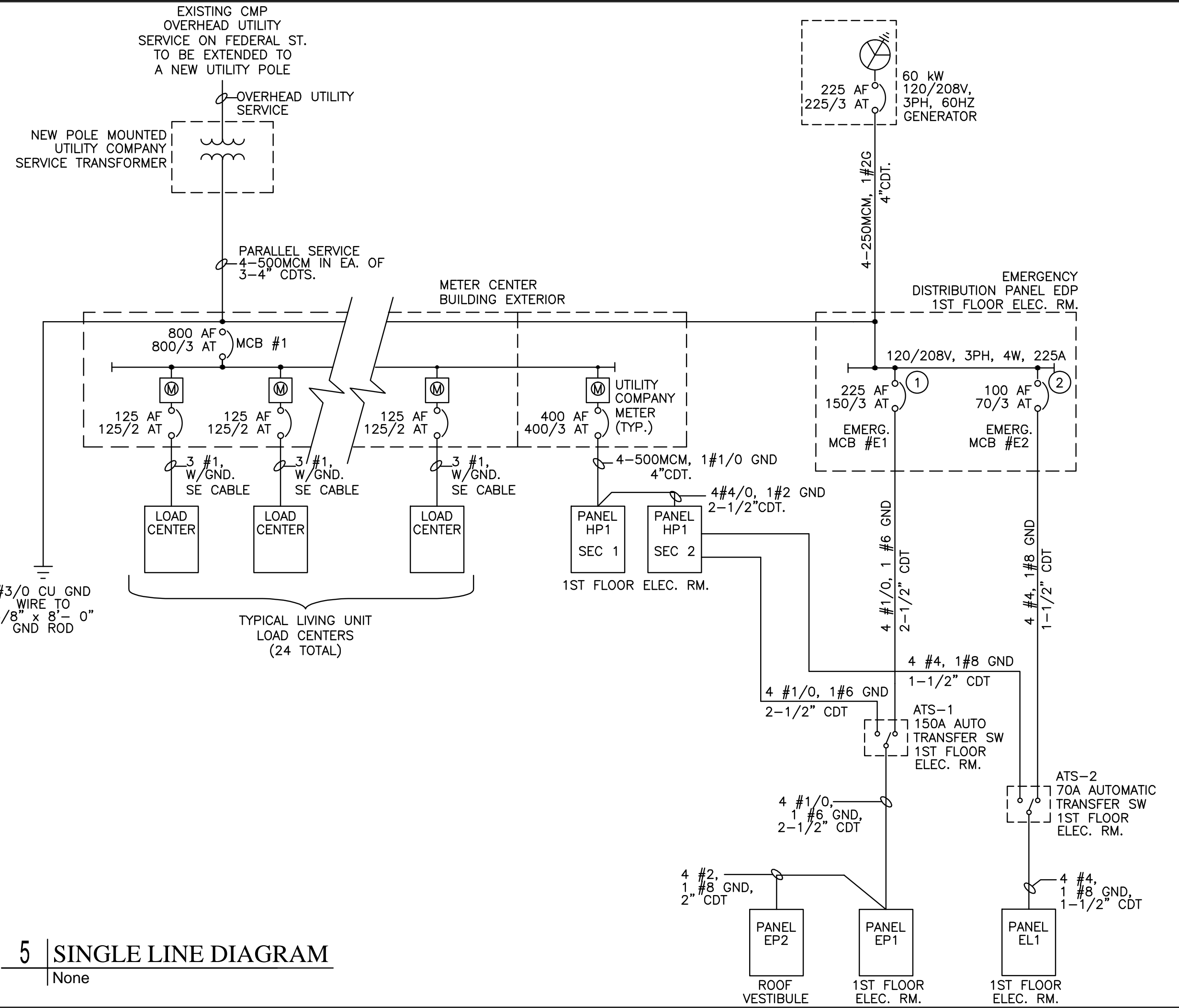


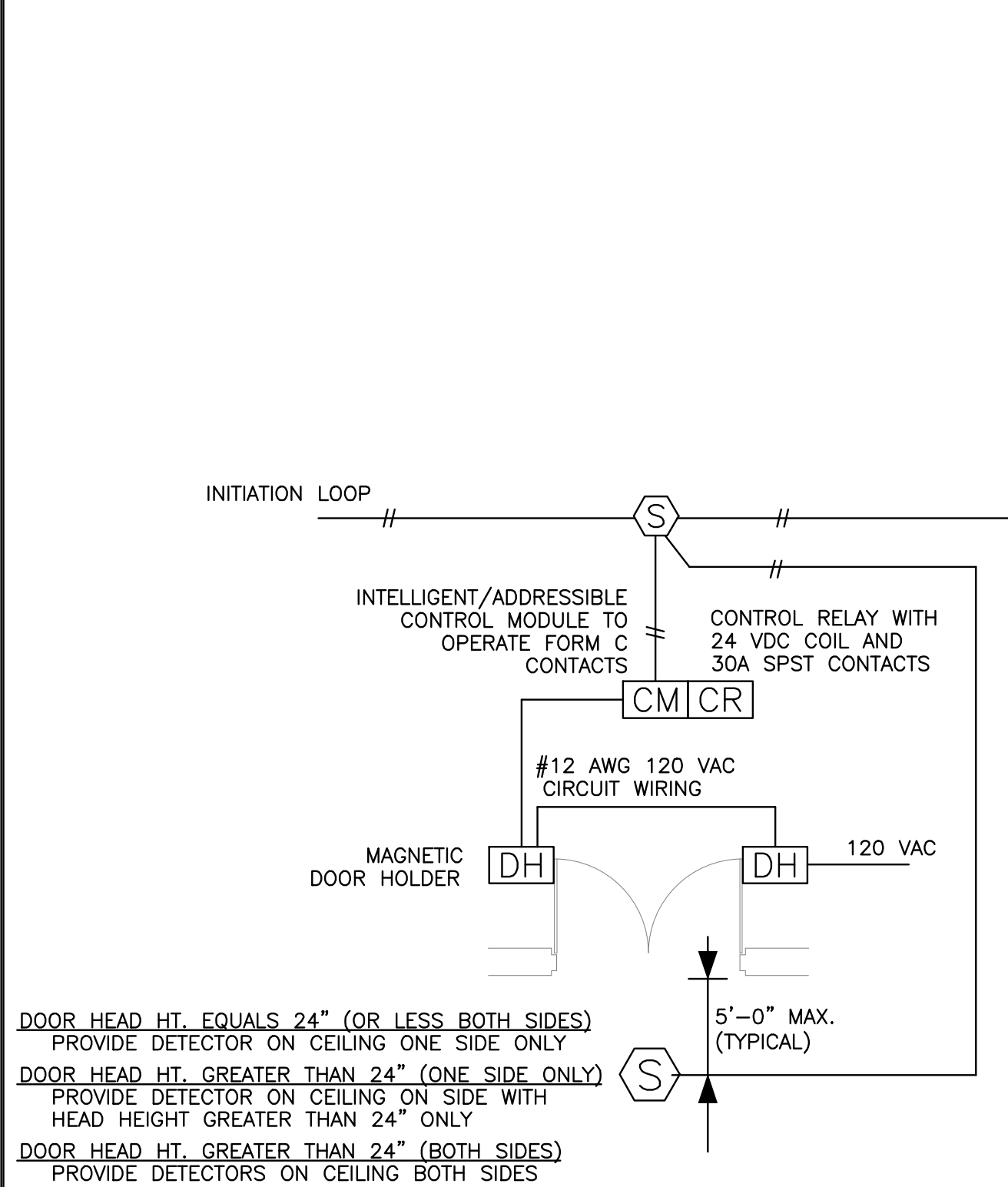
4 SERVICE METER CENTER

None



5 SINGLE LINE DIAGRAM

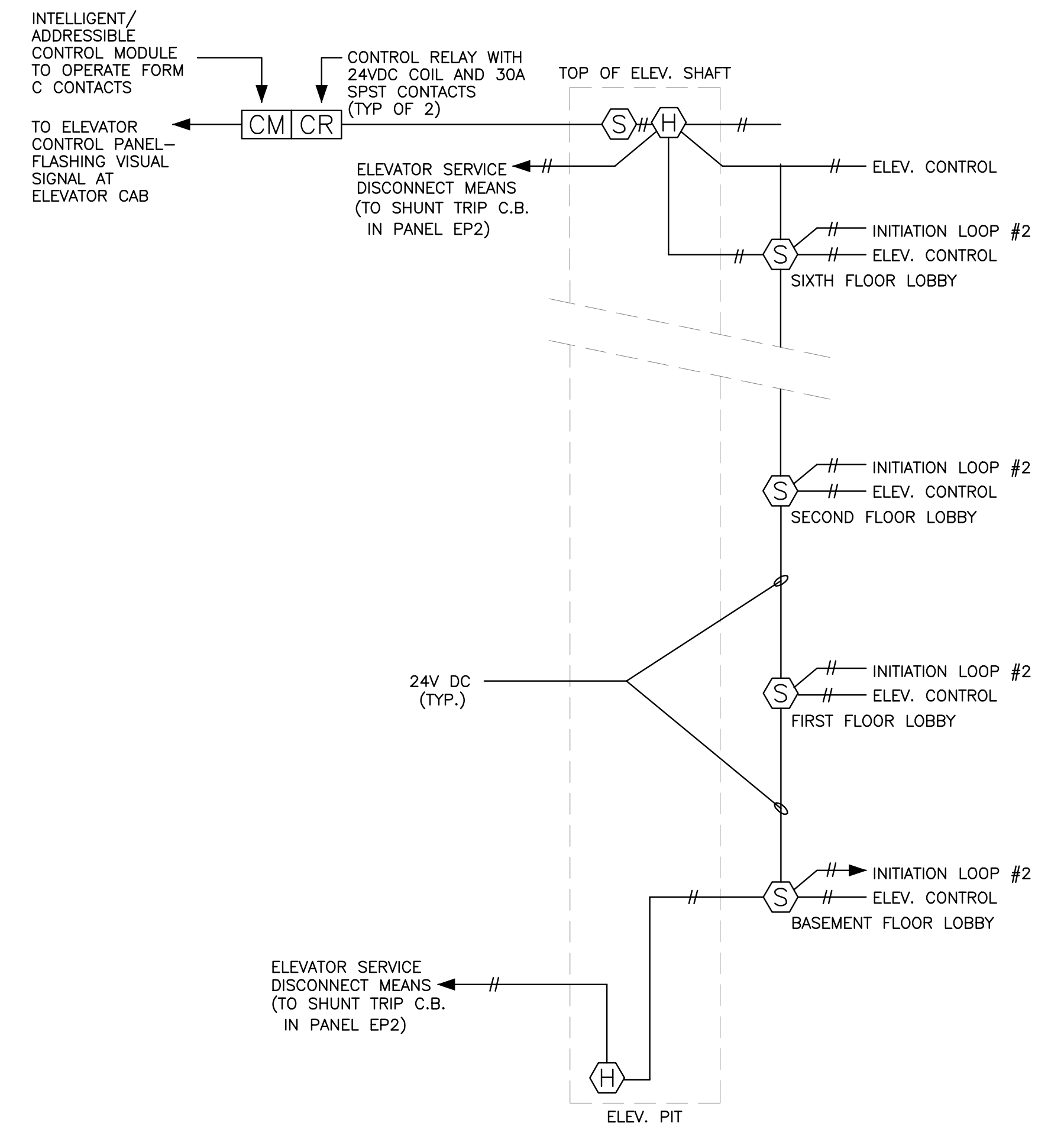
None



- DOOR HEAD HT. EQUALS 24" (OR LESS BOTH SIDES) PROVIDE DETECTOR ON CEILING ONE SIDE ONLY
- DOOR HEAD HT. GREATER THAN 24" (ONE SIDE ONLY) PROVIDE DETECTOR ON CEILING ON SIDE WITH HEAD HEIGHT GREATER THAN 24" ONLY
- DOOR HEAD HT. GREATER THAN 24" (BOTH SIDES) PROVIDE DETECTORS ON CEILING BOTH SIDES

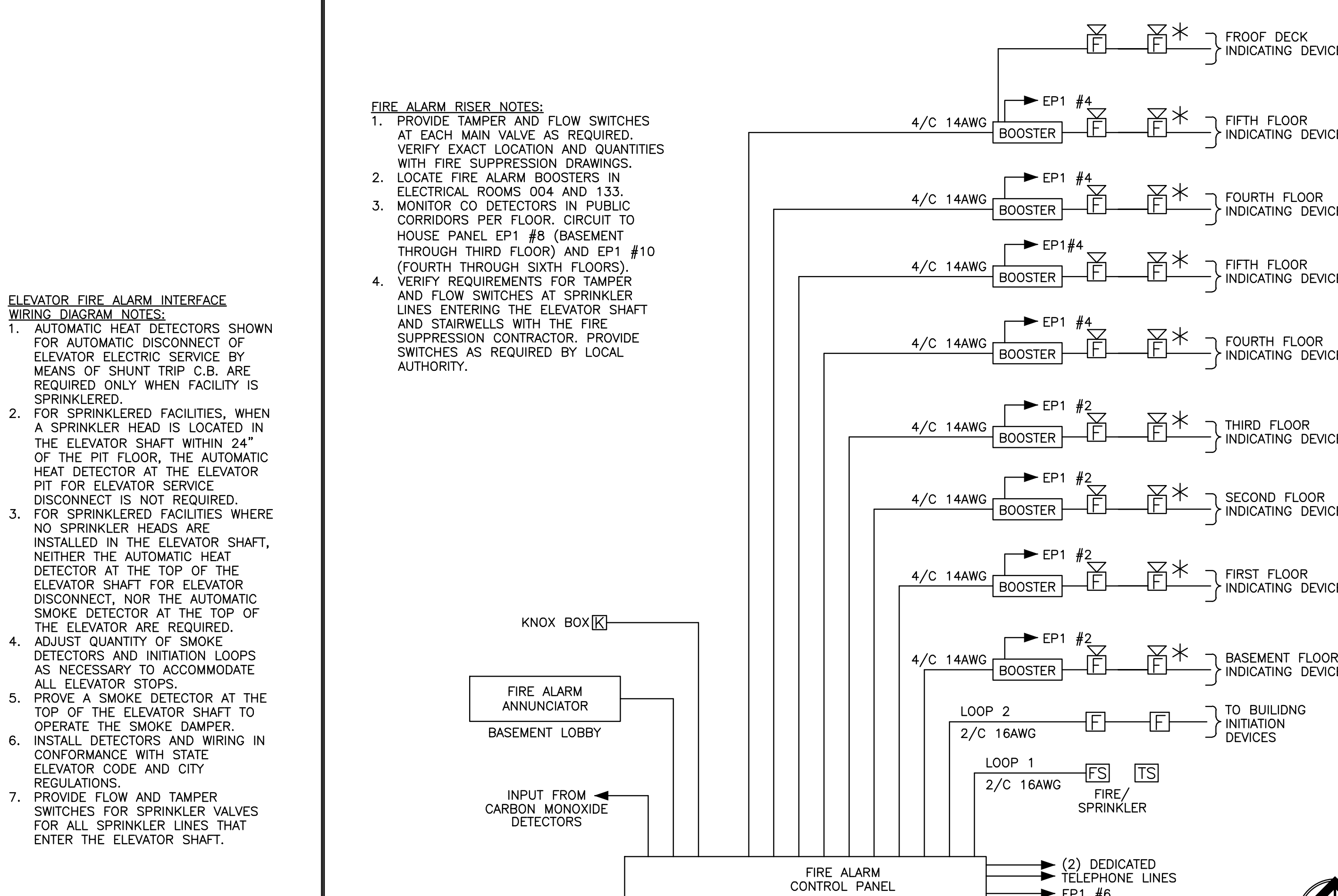
1 FIRE ALARM DOOR HOLDER INTERFACE DIAGRAM

None



2 FIRE ALARM ELEVATOR RECALL INTERFACE DIAGRAM

None

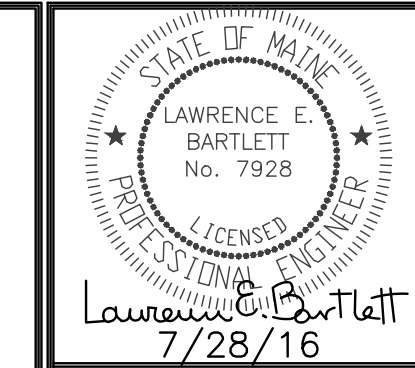


- FIRE ALARM RISER NOTES:**
- PROVIDE TAMPER AND FLOW SWITCHES AT EACH MAIN VALVE AS REQUIRED. VERIFY EXACT LOCATION AND QUANTITIES WITH FIRE SUPPRESSION DRAWINGS.
  - LOCATE FIRE ALARM BOOSTERS IN ELECTRICAL ROOMS 004 AND 133.
  - MONITOR CO DETECTORS IN PUBLIC CORRIDORS PER FLOOR. CIRCUIT TO HOUSE PANEL EP1 #8 (BASEMENT THROUGH THIRD FLOOR) AND EP1 #10 (FOURTH THROUGH SIXTH FLOORS).
  - VERIFY REQUIREMENTS FOR TAMPER AND FLOW SWITCHES AT SPRINKLER LINES ENTERING THE ELEVATOR SHAFT AND STAIRWELLS WITH THE FIRE SUPPRESSION CONTRACTOR. PROVIDE SWITCHES AS REQUIRED BY LOCAL AUTHORITY.

- ELEVATOR FIRE ALARM INTERFACE WIRING DIAGRAM NOTES:**
- AUTOMATIC HEAT DETECTORS SHOWN FOR AUTOMATIC DISCONNECT OF ELEVATOR ELECTRIC SERVICE BY MEANS OF SHUNT TRIP C.B. ARE REQUIRED ONLY WHEN FACILITY IS SPRINKLERED.
  - FOR SPRINKLERED FACILITIES, WHEN A SPRINKLER HEAD IS LOCATED IN THE ELEVATOR SHAFT WITHIN 24" OF THE PIT FLOOR, THE AUTOMATIC HEAT DETECTOR AT THE ELEVATOR PIT FOR ELEVATOR SERVICE DISCONNECT IS NOT REQUIRED.
  - FOR SPRINKLERED FACILITIES WHERE NO SPRINKLER HEADS ARE INSTALLED IN THE ELEVATOR SHAFT, NEITHER THE AUTOMATIC HEAT DETECTOR AT THE TOP OF THE ELEVATOR SHAFT FOR ELEVATOR DISCONNECT, NOR THE AUTOMATIC SMOKE DETECTOR AT THE TOP OF THE ELEVATOR ARE REQUIRED.
  - ADJUST QUANTITY OF SMOKE DETECTORS AND INITIATION LOOPS AS NECESSARY TO ACCOMMODATE ALL ELEVATOR STOPS.
  - PROVIDE A SMOKE DETECTOR AT THE TOP OF THE ELEVATOR SHAFT TO OPERATE THE SMOKE DAMPER.
  - INSTALL DETECTORS AND WIRING IN CONFORMANCE WITH STATE ELEVATOR CODE AND CITY REGULATIONS.
  - PROVIDE FLOW AND TAMPER SWITCHES FOR SPRINKLER VALVES FOR ALL SPRINKLER LINES THAT ENTER THE ELEVATOR SHAFT.

3 FIRE ALARM RISER DIAGRAM

None



Prepared For:  
**NewHeight Group**

Consultant:  
**Bartlett Design**  
ELECTRICAL ENGINEERING  
444 UNION WHARF PORTLAND, ME 04101  
TEL: (207) 448-5447 FAX: (207) 448-5447

Architect:  
**ARCHITECTS**  
48 Union Wharf Portland, Maine 04101  
(207) 772-6022 Fax (207) 772-4056

Project:  
**LUMINATO**  
Newbury Street Portland, Maine

Revisions:  
06/17/16 100% REVIEW SET  
07/22/16 REVISED PLANS  
07/28/16 ADDENDUM A

Date:  
JUNE 17 2016  
Scale:  
AS NOTED

**ELECTRICAL DETAILS & WIRING DIAGRAMS**

**E4.01**

