

FIG. 302.3 - OPENINGS IN FLOOR OR GROUND SURFACES

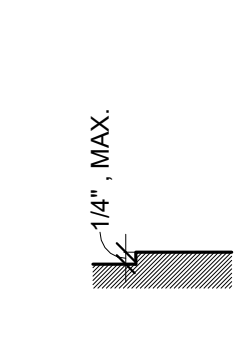


FIG. 303.2 - VERTICAL CHANGES IN LEVEL

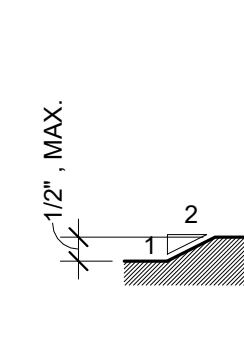


FIG. 303.3 - BEVELED CHANGES IN LEVEL

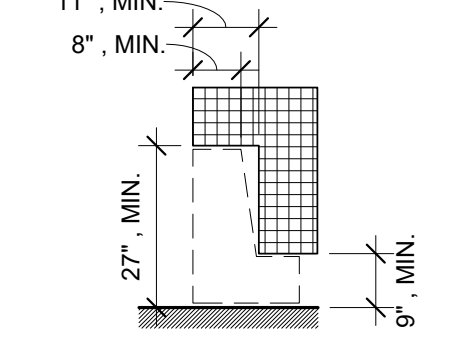


FIG. 306.3 - KNEE CLEARANCE

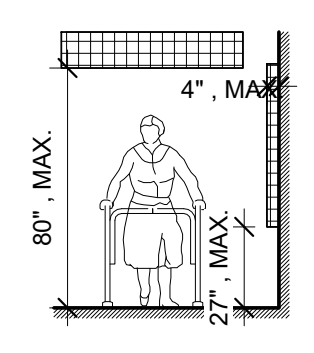


FIG. 307.2 - LIMITS OF PROTRUDING OBJECTS

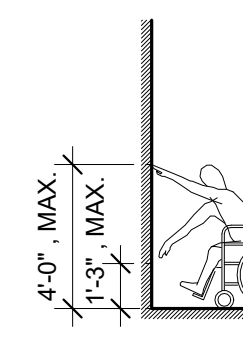


FIG. 308.2.1 - UNOBSTRUCTED FORWARD REACH

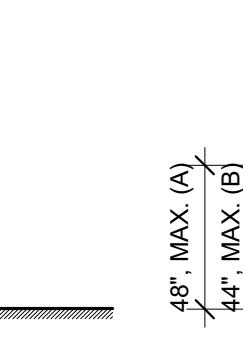


FIG. 308.2.2 - OBSTRUCTED HIGH FORWARD REACH

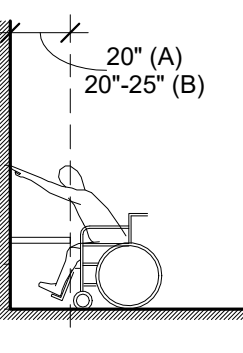


FIG. 308.3.1 - UNOBSTRUCTED SIDE REACH

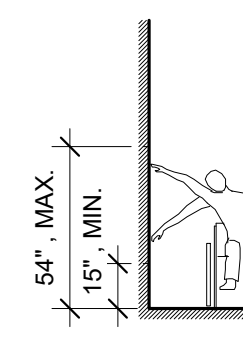
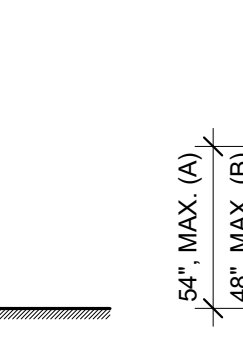


FIG. 308.3.2 - OBSTRUCTED SIDE REACH



FIRE EXTINGUISHING CABINET MOUNTING HEIGHT

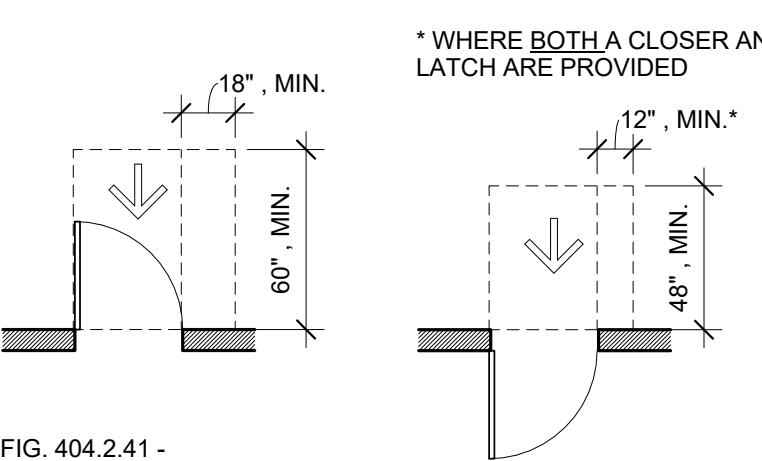


FIG. 404.2.4.1 - MANEUVERING CLEARANCE AT SWING DOOR

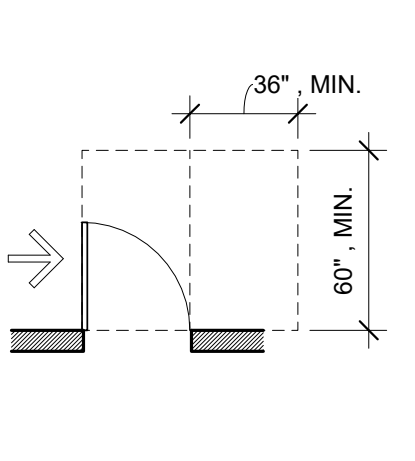


FIG. 404.2.4.2 - MANEUVERING CLEARANCE AT SWING DOOR

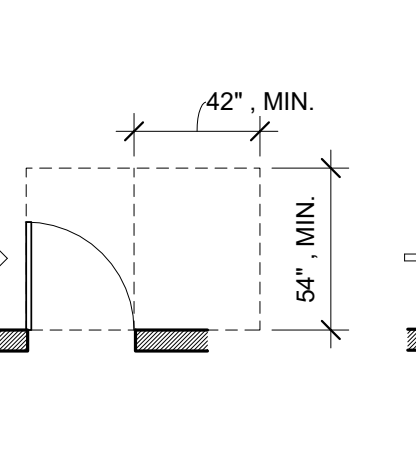


FIG. 404.2.4.3 - MANEUVERING CLEARANCE AT SWING DOOR

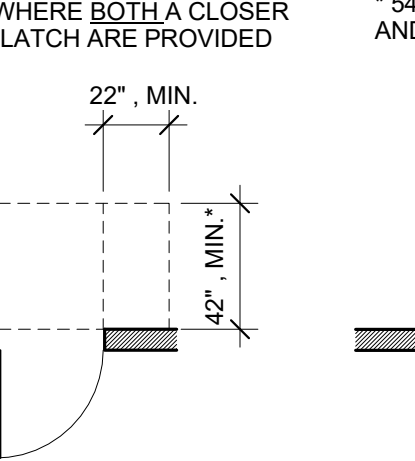


FIG. 404.2.4.4 - MANEUVERING CLEARANCE AT SWING DOOR

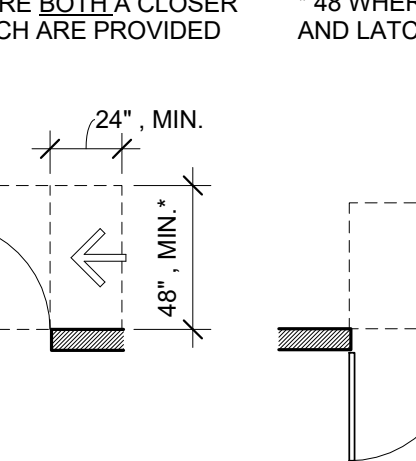


FIG. 404.2.4.5 - MANEUVERING CLEARANCE AT SWING DOOR

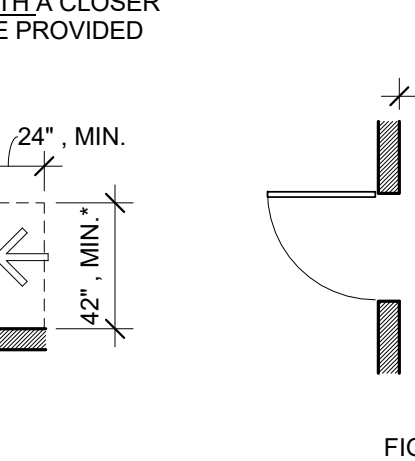


FIG. 404.2.4.6 - MANEUVERING CLEARANCE AT SWING DOOR

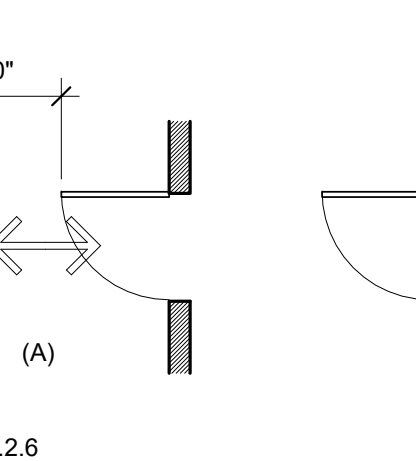


FIG. 404.2.4.7 - MANEUVERING CLEARANCE AT SWING DOOR

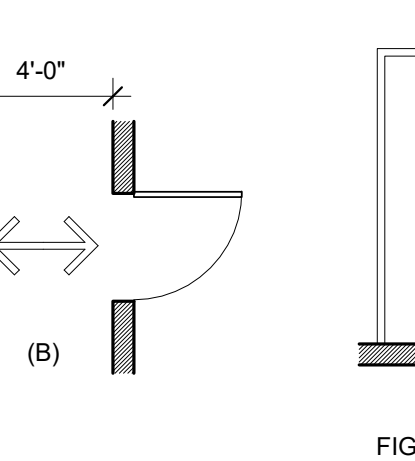


FIG. 404.2.6 - TWO DOORS IN A SERIES (A) AND (B)

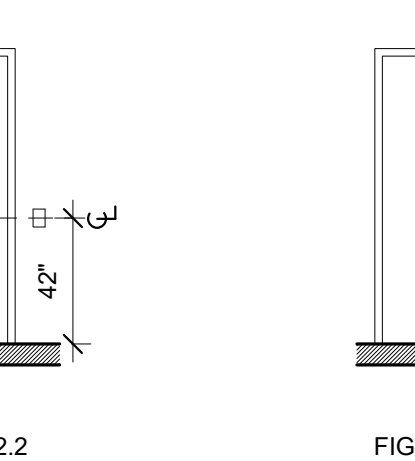


FIG. 407.2.2 - ELEV. CALL BUTTONS

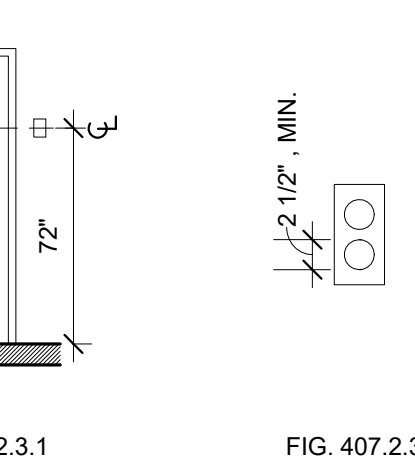


FIG. 407.2.3.1 - HEIGHT OF ELEV. VISIBLE SIGNALS

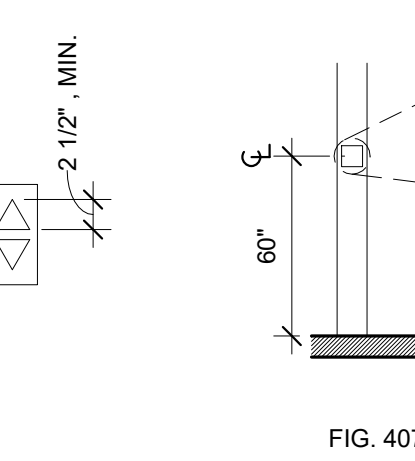


FIG. 407.2.3.2.2 - SIZE OF ELEV. VISIBLE SIGNALS

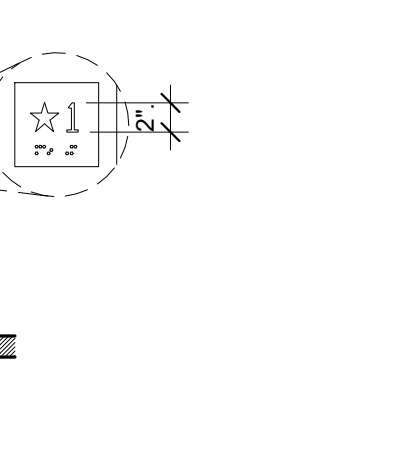


FIG. 407.2.4 - TACTILE CHARACTERS ON ELEV. HOISTWAY ENTRANCES

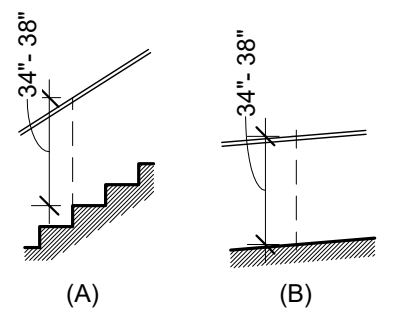


FIG. 505.4 - HANDRAIL HEIGHT (A) STAIRS (B) RAMPS

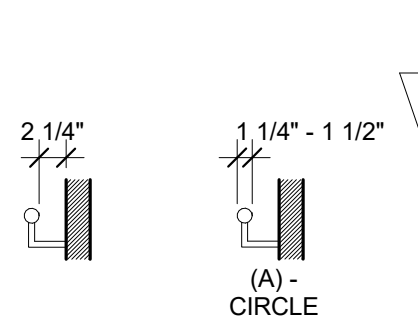


FIG. 505.5 - HANDRAIL CLEARANCE

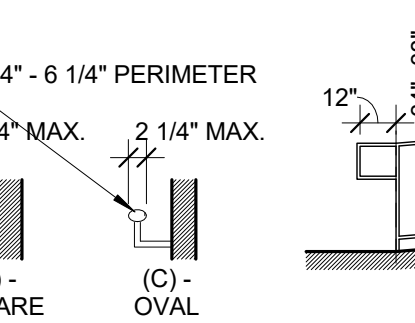


FIG. 505.7 - HANDRAIL CROSS SECTION (A) CIRCULAR (B) SQUARE AND (C) NON CIRCULAR

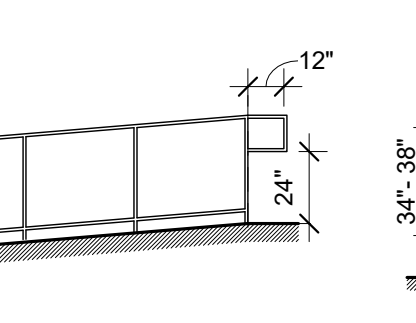


FIG. 505.10.1 - TOP AND BOTTOM HANDRAIL EXTENSIONS AT RAMPS

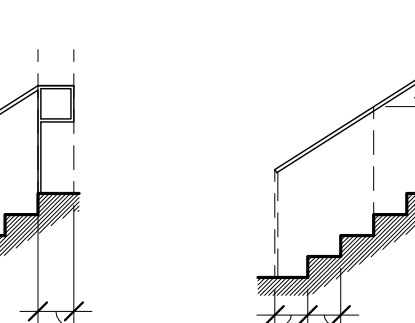


FIG. 505.10.2 - TOP HANDRAIL EXTENSION AT STAIRS

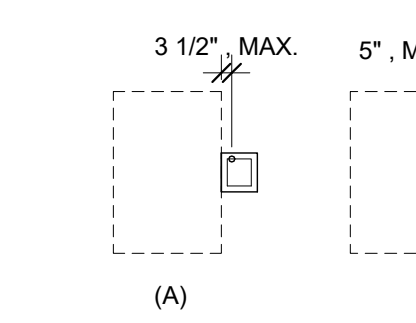


FIG. 505.10.3 - TOP HANDRAIL EXTENSION AT STAIRS

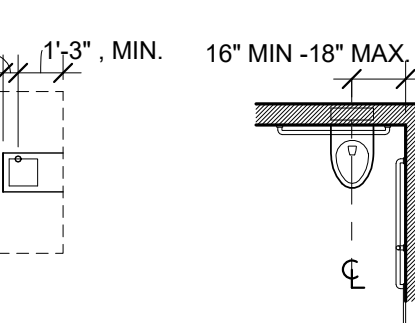


FIG. 602.5 - DRINKING FOUNTAIN SPOUT LOCATION (A) PARALLEL APPROACH (B) FORWARD APPROACH

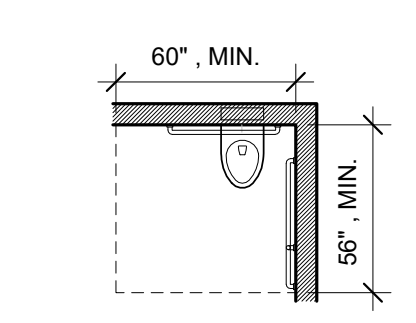


FIG. 604.2 - WATER CLOSET LOCATION

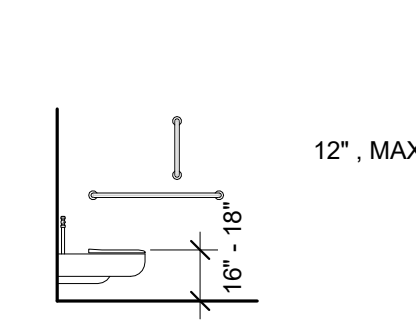


FIG. 604.3.1 - SIZE OF CLEARANCE FOR WATER CLOSET

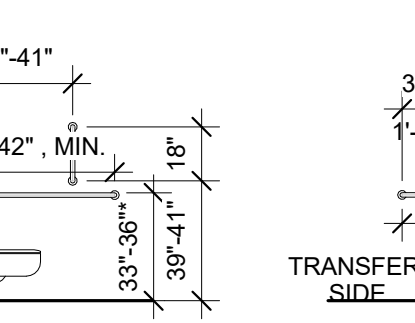


FIG. 604.4 - HEIGHT TO TOP OF SEAT

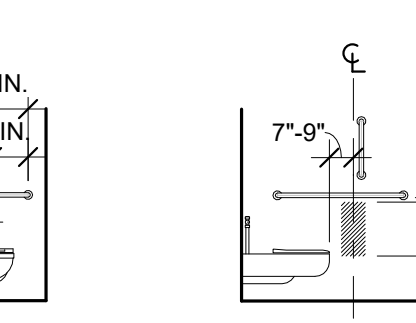


FIG. 604.5.1 - SIDE WALL GRAB BAR FOR WATER CLOSET

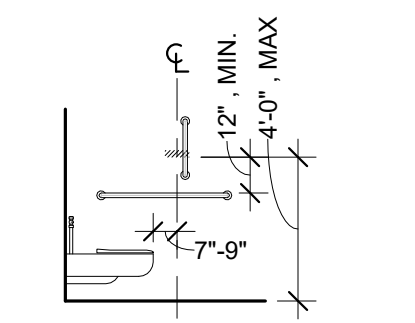


FIG. 604.5.2 - REAR WALL GRAB BAR FOR WATER CLOSET

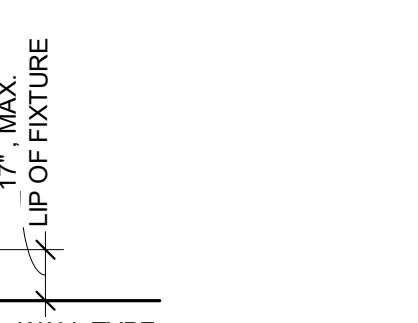


FIG. 604.7 - DISPENSER LOCATION (A) BELOW GRAB BAR (B) ABOVE GRAB BAR

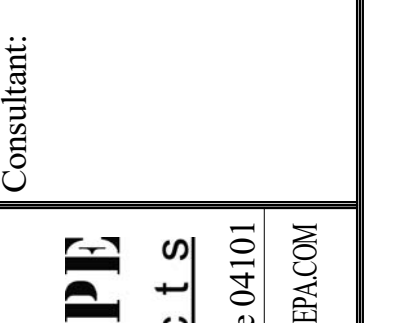


FIG. 605.2 - HEIGHT OF URINALS (A) - WALL TYPE

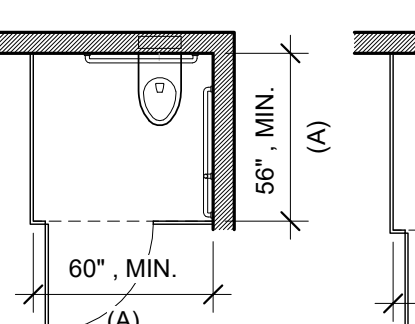


FIG. 604.8.1.1 - WHEELCHAIR ACCESSIBLE TOILET COMPARTMENTS (A) WALL-HUNG WATER CLOSET (B) FLOOR-MOUNTED WATER CLOSET

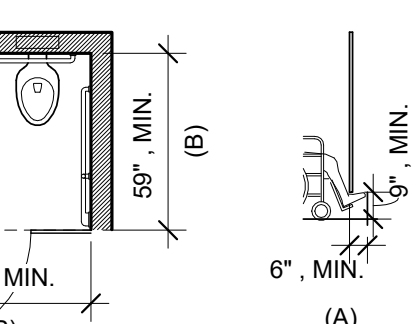


FIG. 604.8.1.2 - WHEELCHAIR ACCESSIBLE TOILET COMPARTMENTS (A) WALL-HUNG WATER CLOSET (B) FLOOR-MOUNTED WATER CLOSET

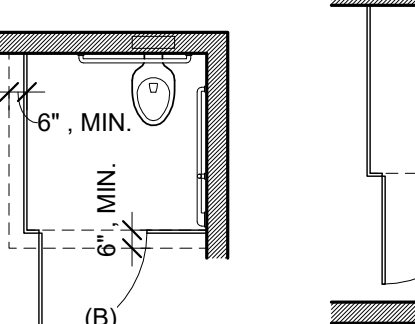


FIG. 604.8.1.4 - TOILET COMPARTMENT TOES CLEARANCE (A) ELEVATION (B) PLAN

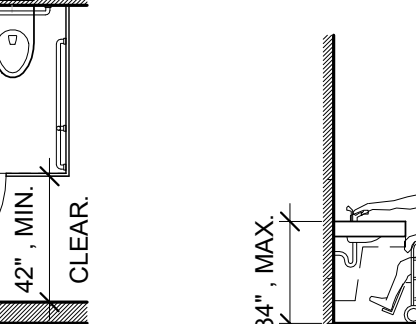


FIG. 604.8.3 - TOILET COMPARTMENT DOORS

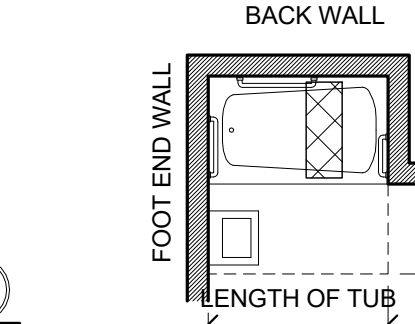


FIG. 606.3 - HEIGHT OF LAVATORIES AND SINKS

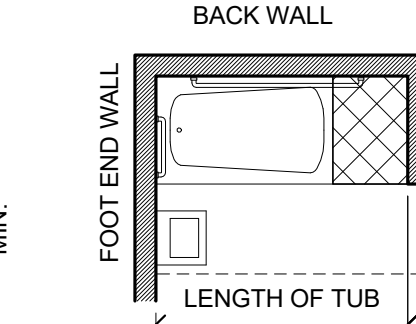


FIG. 607.2 - CLEARANCE FOR BATHTUBS (A) WITHOUT PERMANENT SEAT (B) WITH PERMANENT SEAT

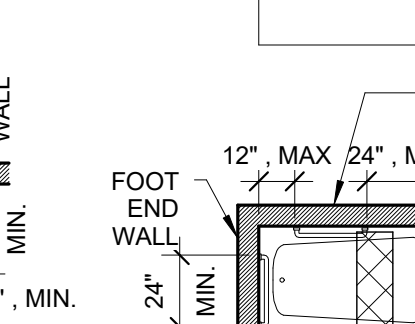


FIG. 607.2 - CLEARANCE FOR BATHTUBS (A) WITHOUT PERMANENT SEAT (B) WITH PERMANENT SEAT

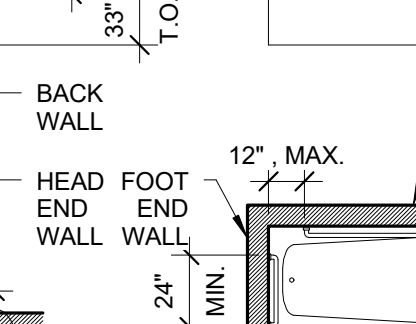


FIG. 607.4.2 - GRAB BARS FOR BATHTUB WITHOUT PERMANENT SEATS SECTION AND PLAN

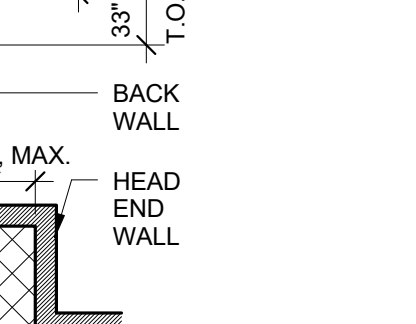


FIG. 607.4.1 - GRAB BARS FOR BATHTUB WITH PERMANENT SEATS SECTION AND PLAN

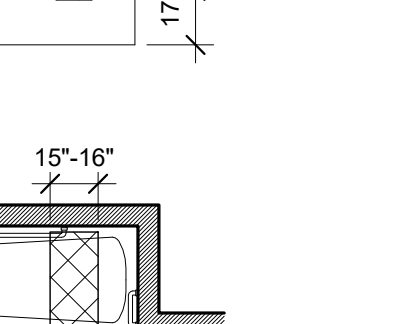


FIG. 610.2 - BATHTUB SEAT (A) REMOVABLE IN-TUB SEAT SECTION AND PLAN (B) PERMANENT SEAT SECTION AND PLAN

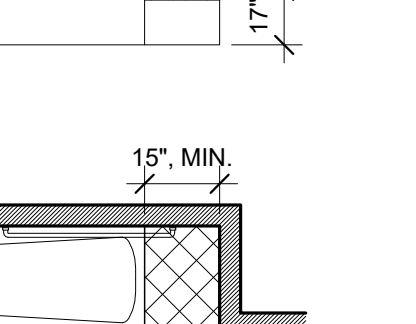


FIG. 610.2 - BATHTUB SEAT (A) REMOVABLE IN-TUB SEAT SECTION AND PLAN (B) PERMANENT SEAT SECTION AND PLAN

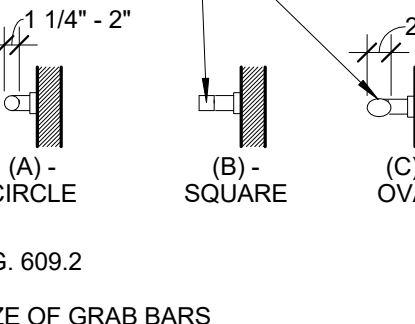


FIG. 609.2 - SIZE OF GRAB BARS (A) CIRCULAR (B) SQUARE AND (C) NON CIRCULAR

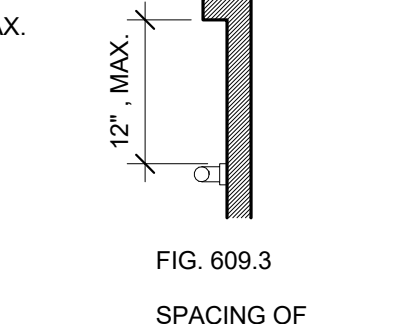


FIG. 609.3 - SPACING OF GRAB BARS

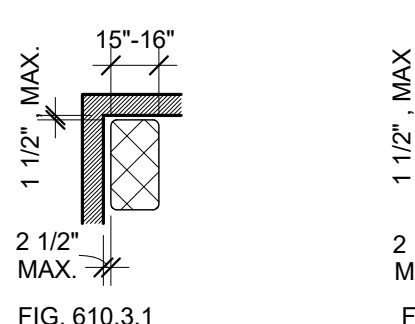


FIG. 610.3.1 - RECTANGULAR SHOWER COMPARTMENT SEAT

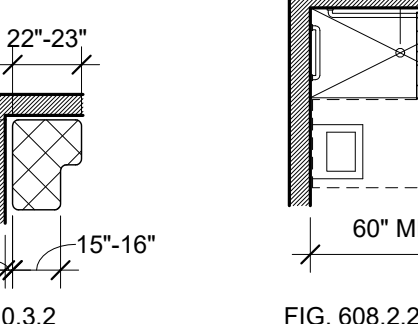


FIG. 610.3.2 - L-SHAPED SHOWER COMPARTMENT SEAT

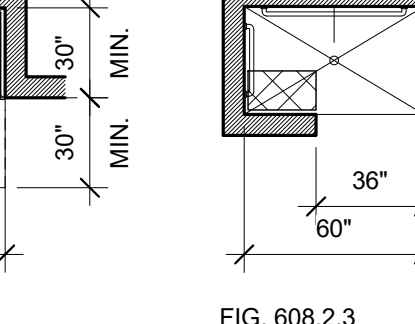


FIG. 608.2.2 - STANDARD ROLL-IN-TYPE SHOWER COMPARTMENT

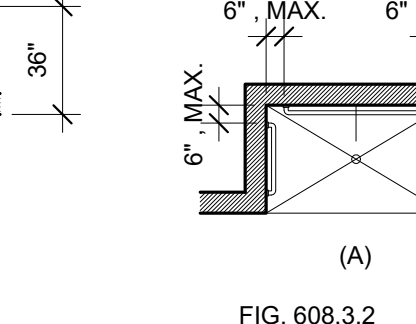


FIG. 608.2.3 - ALTERNATE ROLL-IN-TYPE SHOWER COMPARTMENT

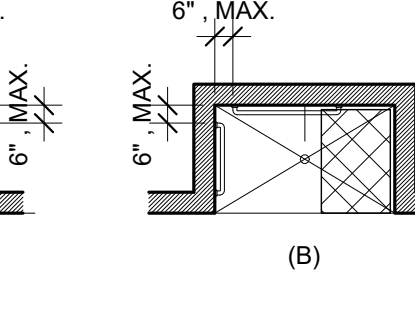


FIG. 608.3.2 - GRAB BARS IN ROLL-IN-TYPE (A) STANDARD ROLL-IN-TYPE SHOWER (B) ROLL-IN-TYPE SHOWER WITH SEAT (C) ALTERNATE ROLL-IN-TYPE SHOWER

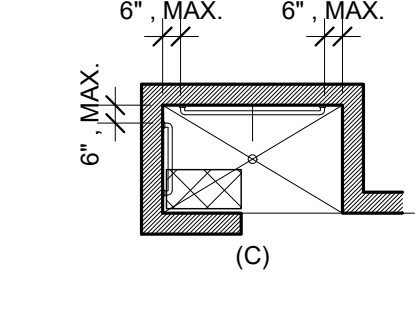


FIG. 608.3.2 - GRAB BARS IN ROLL-IN-TYPE (A) STANDARD ROLL-IN-TYPE SHOWER (B) ROLL-IN-TYPE SHOWER WITH SEAT (C) ALTERNATE ROLL-IN-TYPE SHOWER

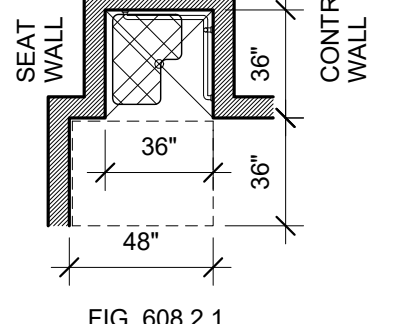


FIG. 608.2.1 - TRANSFER-TYPE SHOWER COMPARTMENT

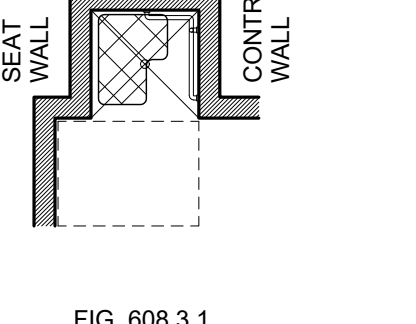


FIG. 608.3.1 - GRAB BARS IN TRANSFER-TYPE SHOWERS

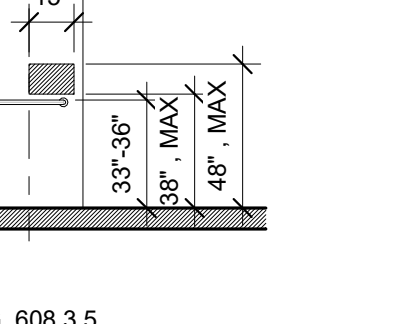


FIG. 608.3.5 - CONTROLS IN TRANSFER-TYPE SHOWERS

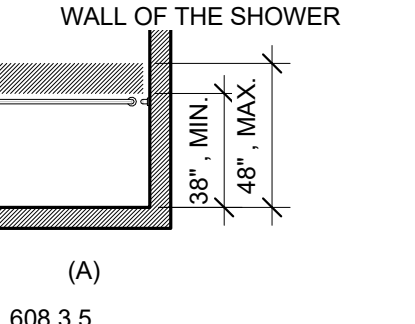


FIG. 608.3.5 - CONTROLS IN TRANSFER-TYPE SHOWERS

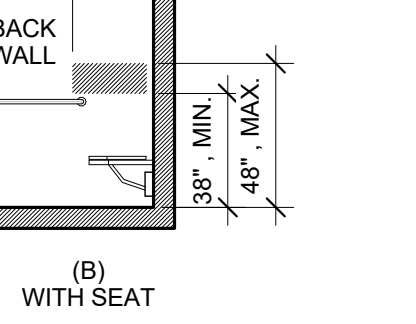
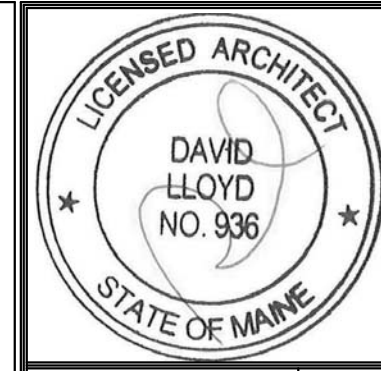


FIG. 608.3.5 - CONTROLS IN TRANSFER-TYPE SHOWERS



Prepared For:
NewHeight Group
P.O. Box 7486
Portland, ME 04112

Consultant:
ARCHETYPE architects
48 Union Wharf Portland, Maine 04101
(207) 772-0022 ARCHETYPE@ARCHETYPEPA.COM

Architect:
LUMINATO
167 Newbury Street Portland, Maine

Revisions:

Date: **JULY 21, 2016**
Scale: **As indicated**

ACCESSIBILITY STANDARDS
AS1.1