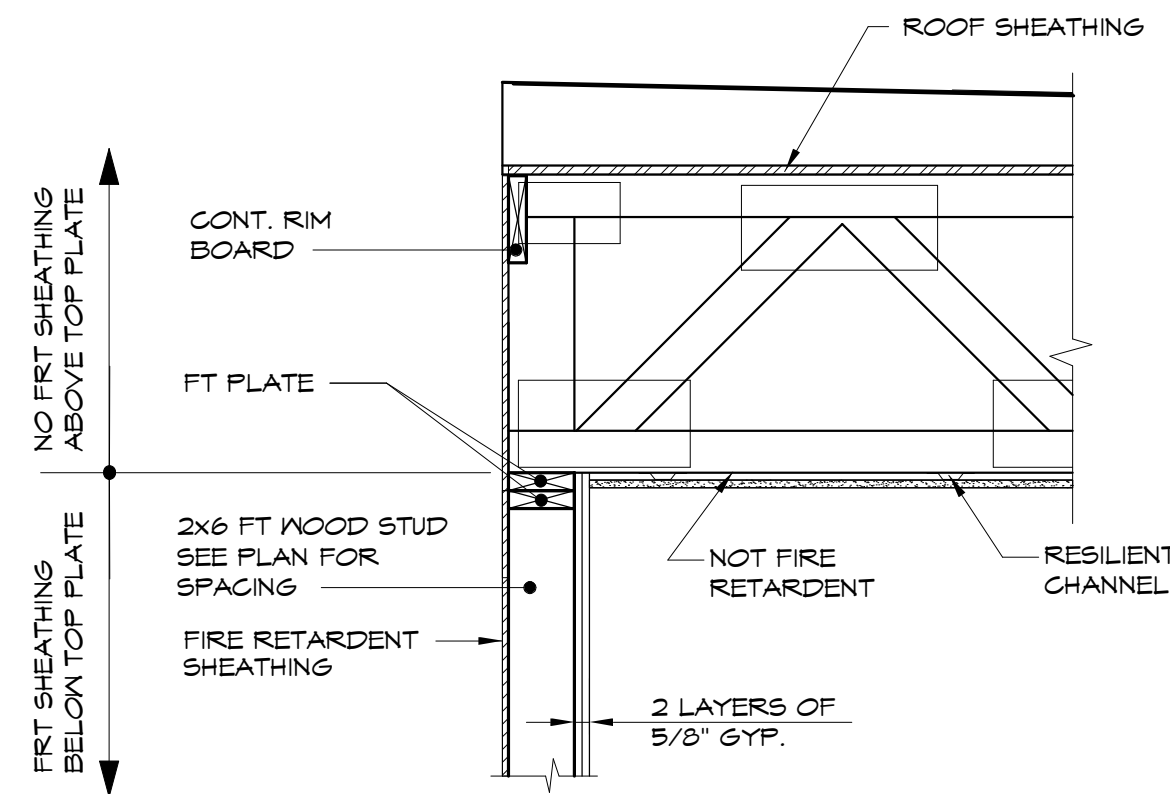


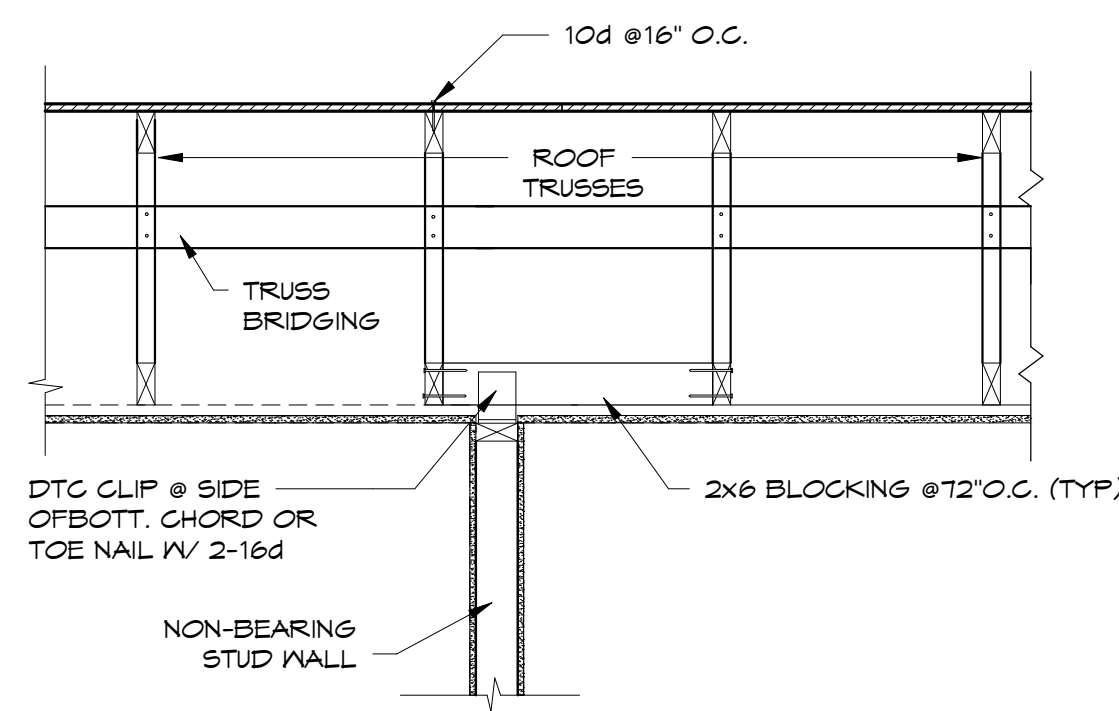
FIRE TREATED WOOD (FT) SHALL BE TREATED W/ "PYRO-GUARD" SPF No. 1/ No. 2 OR BETTER	
UNTREATED	TREATED
Fb = 875 psi	Fb = 691 psi
Fc = 1150 psi	Fc = 977 psi
E = 1.4 x 10 ⁶ psi	E = 1.246 x 10 ⁶ psi
Fv = 135 psi	Fv = 116 psi
FIRE TREATED SILL PLATES SHALL BE SYP No. 2 TREATED W/ "PYRO - GUARD PLUS"	

NOTE:
ALL NAILS INTO FIRE TREATED MATERIAL
MUST BE STAINLESS STEEL, GALVANIZED
OR OTHER APPROVED COATING.

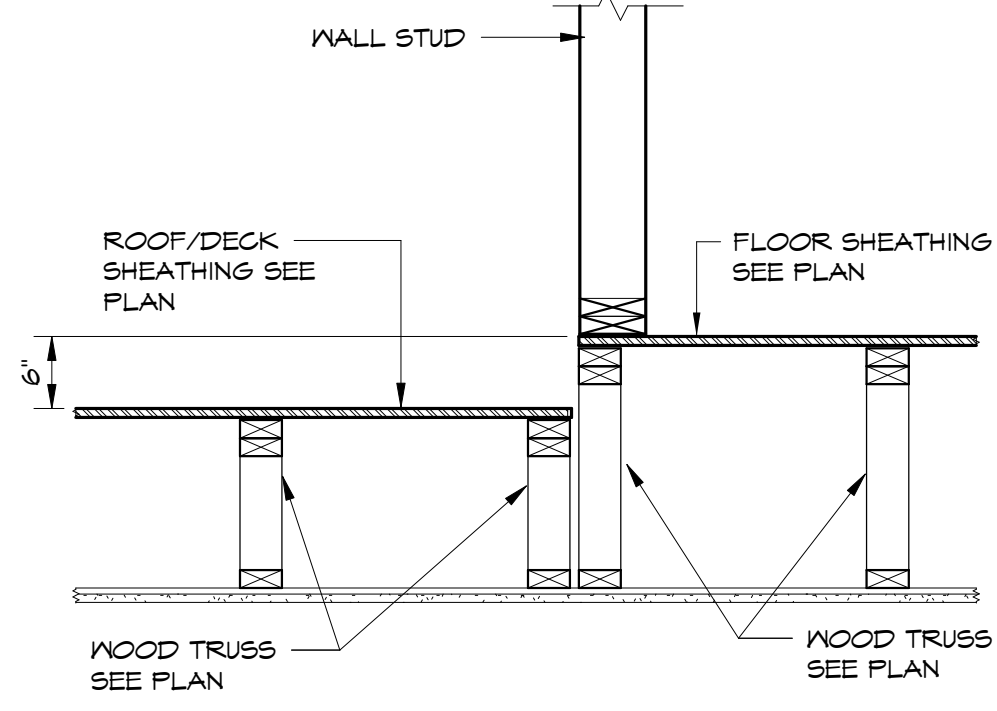
1
3/4" = 1'-0"



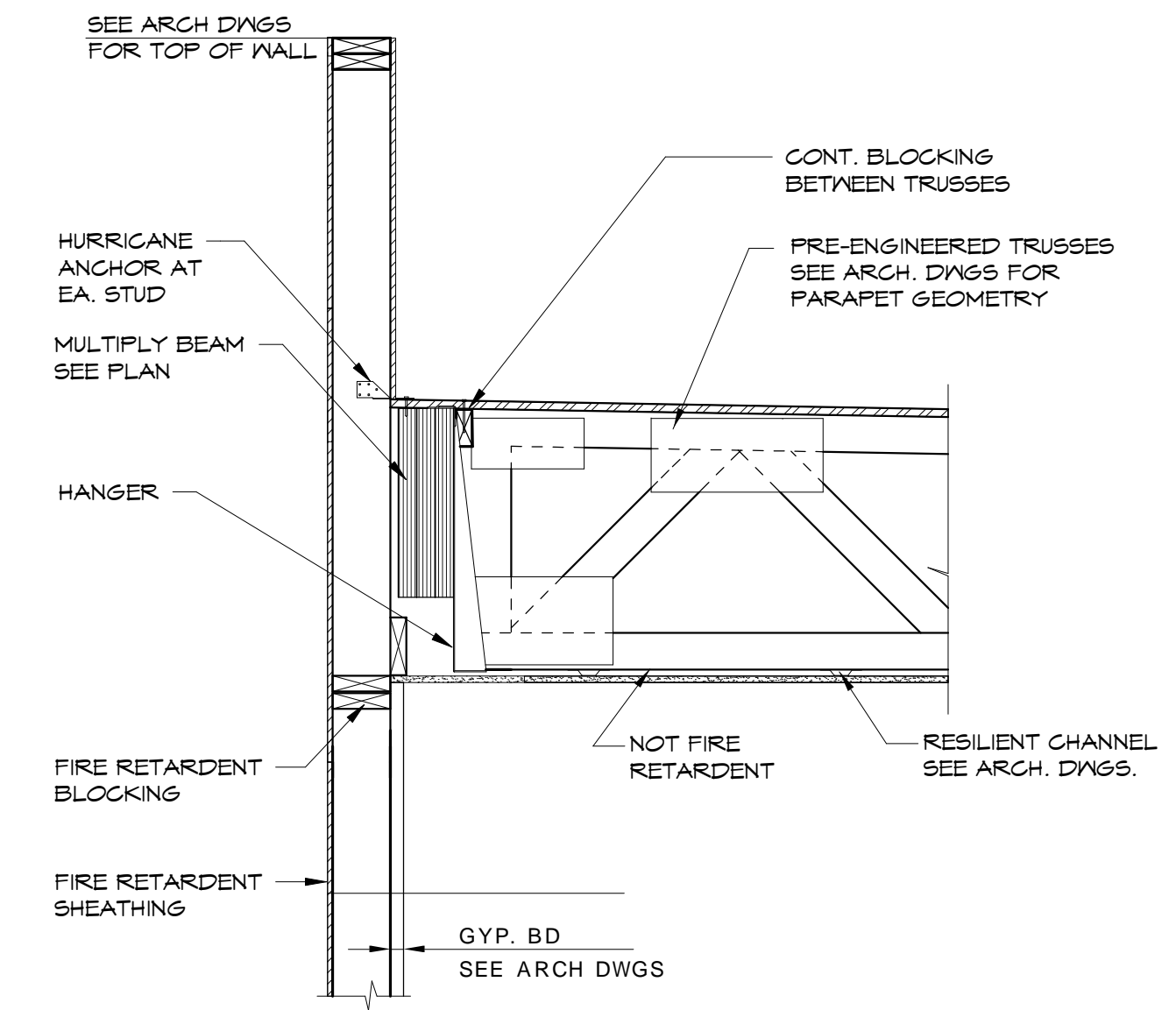
2
3/4" = 1'-0"



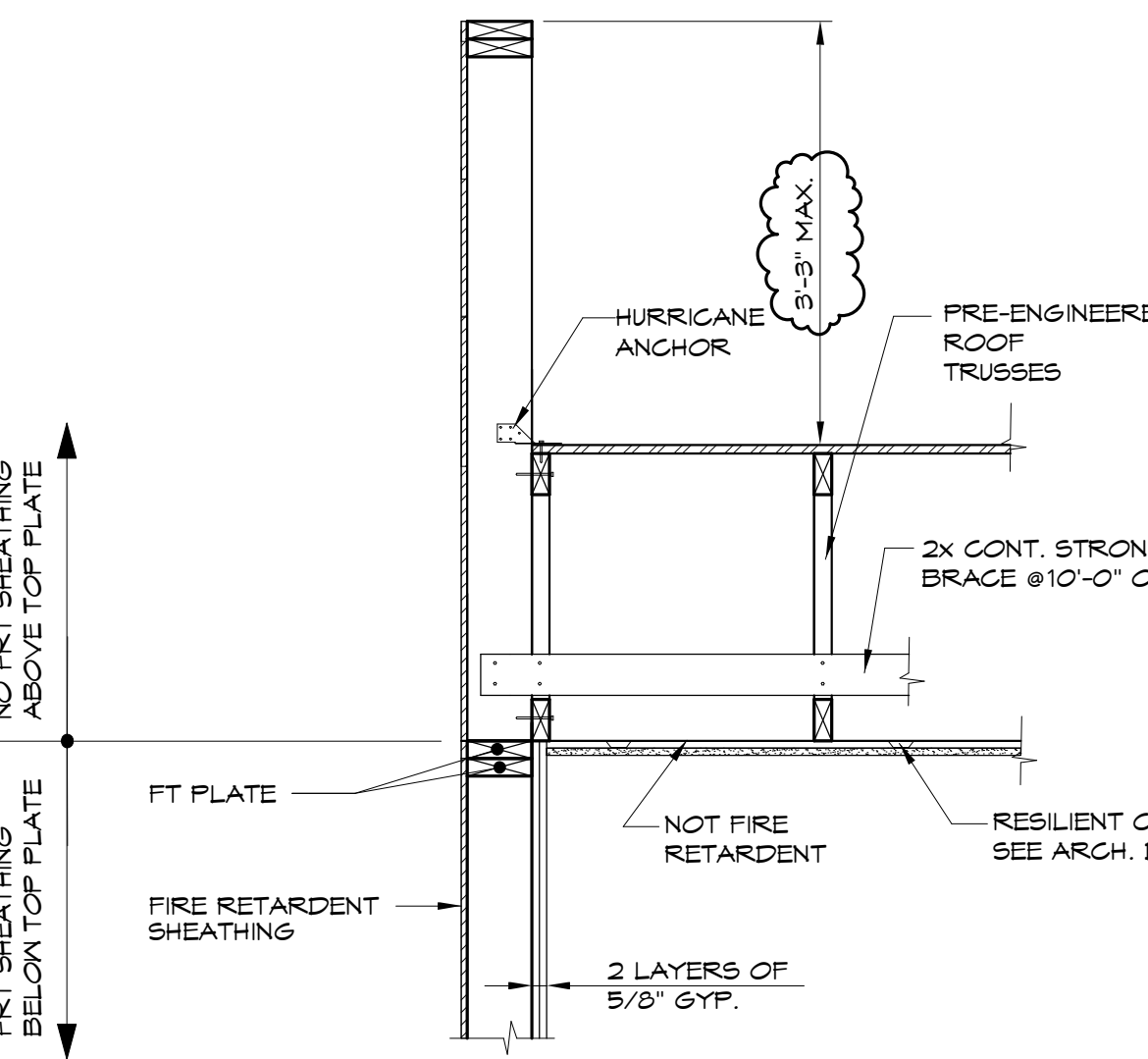
3
3/4" = 1'-0"



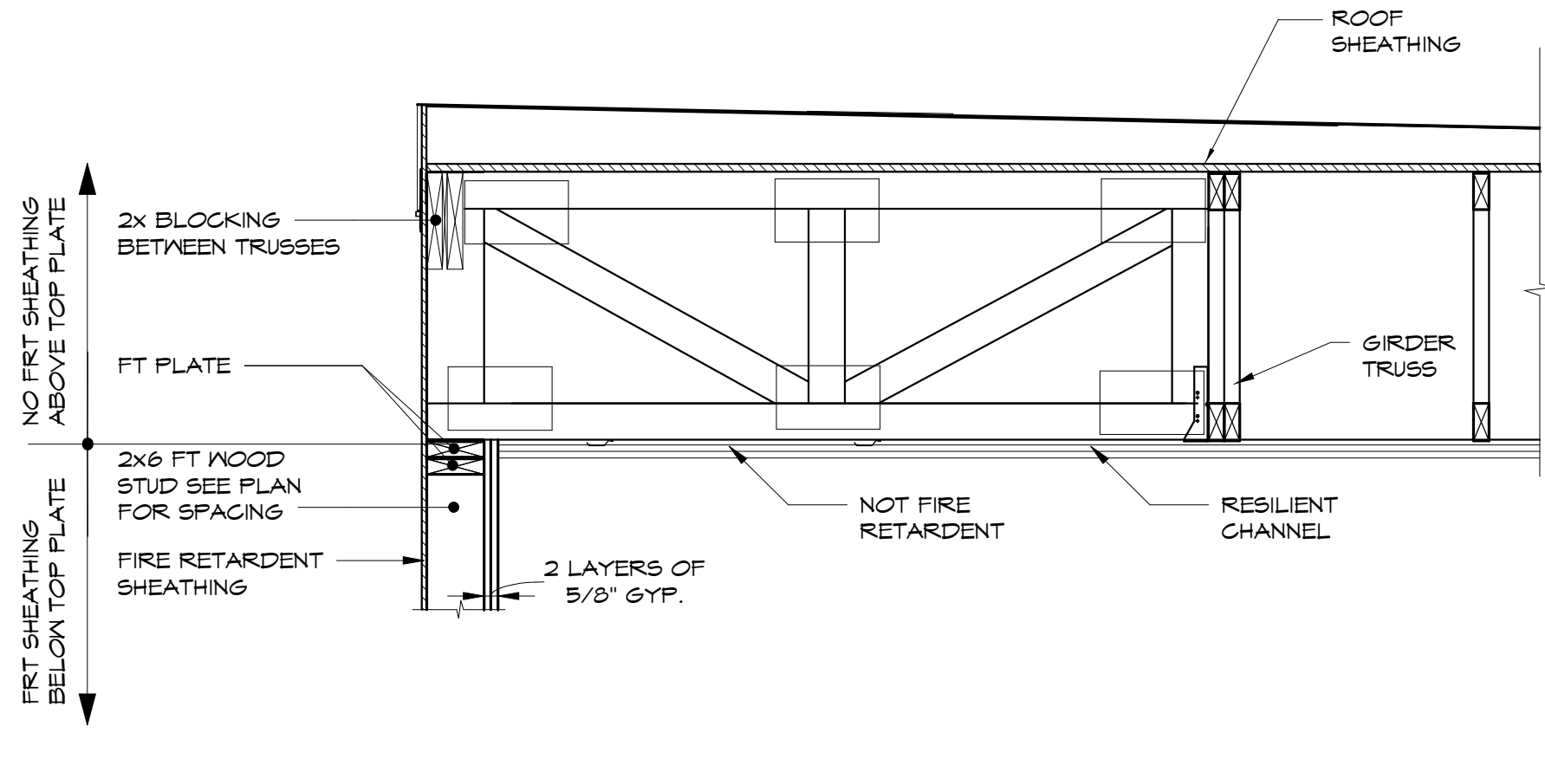
4
3/4" = 1'-0"



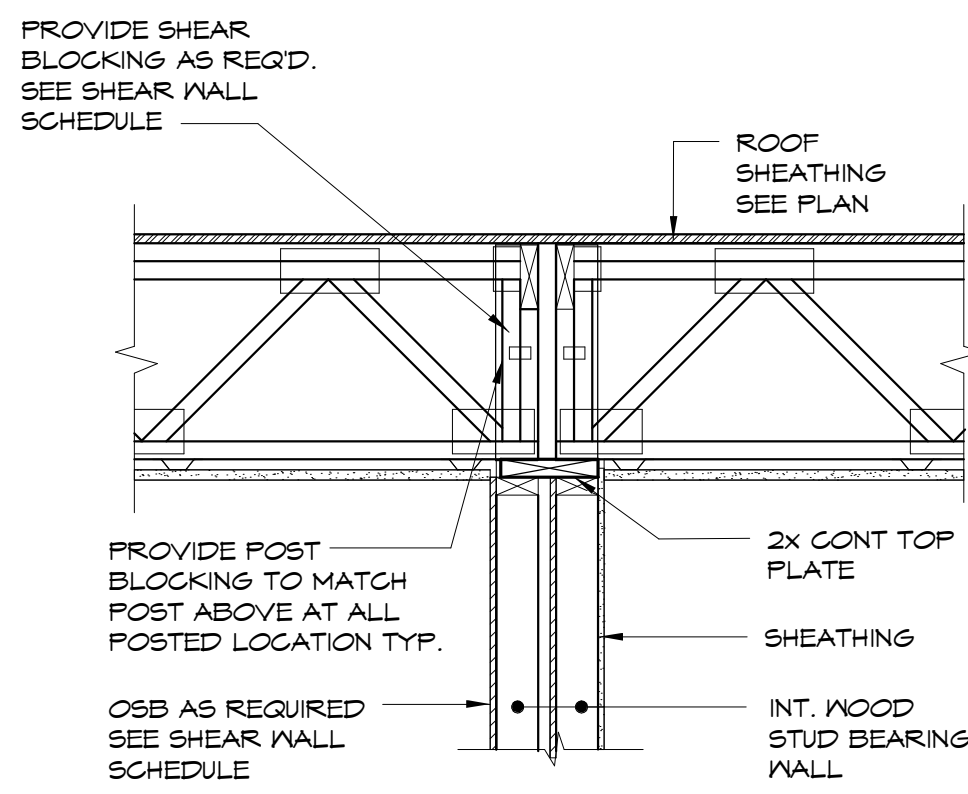
5
3/4" = 1'-0"



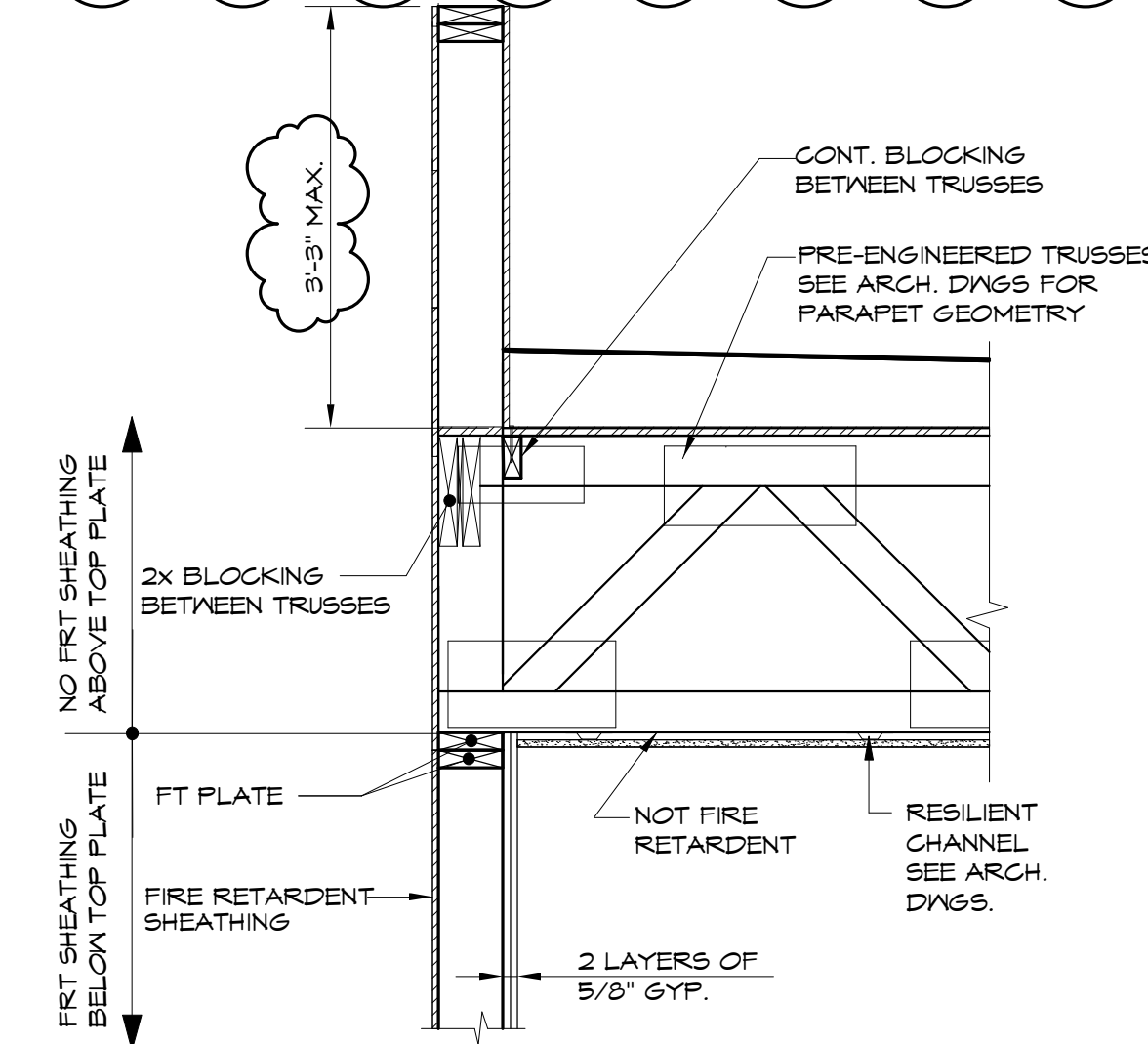
6
3/4" = 1'-0"



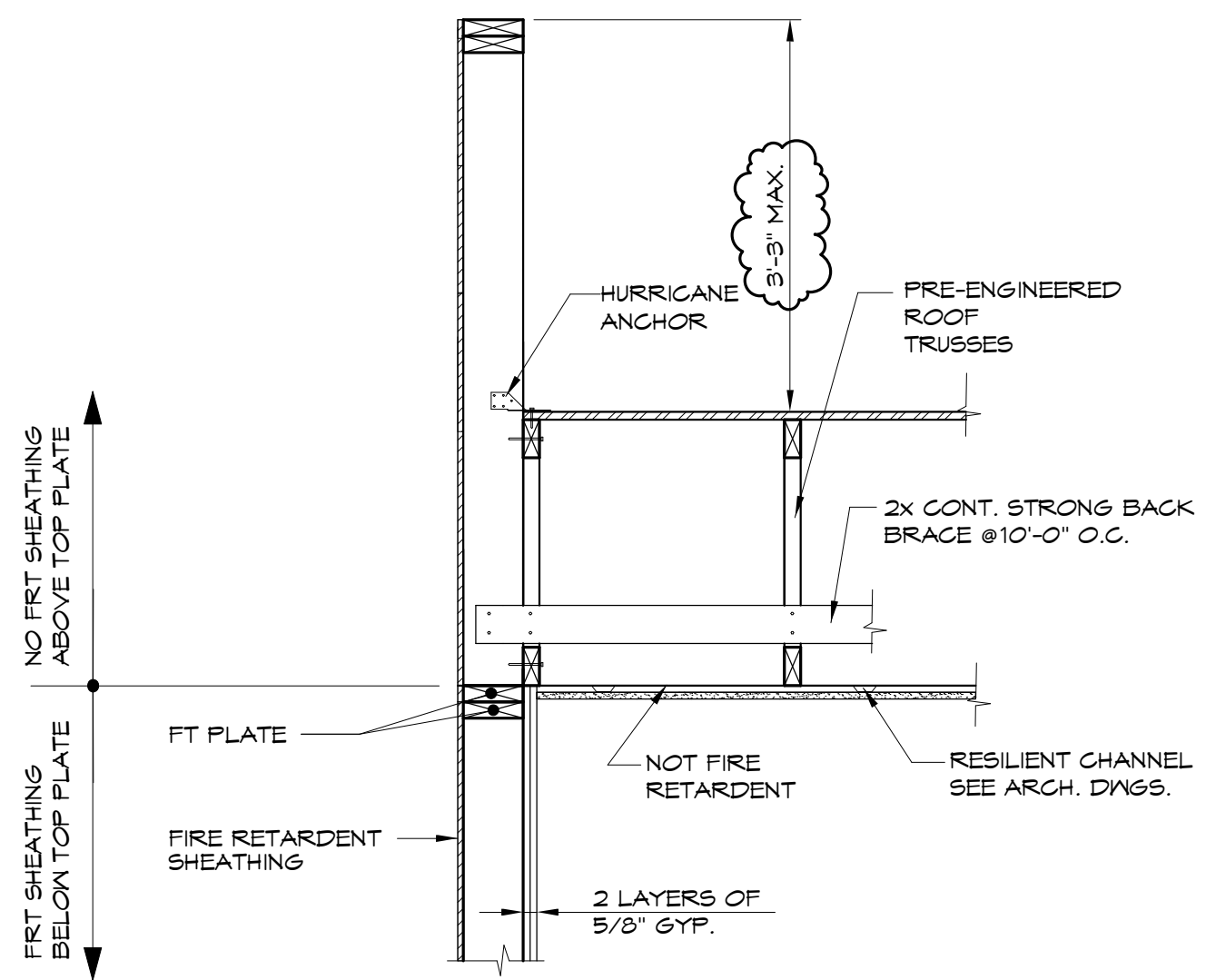
7
3/4" = 1'-0"



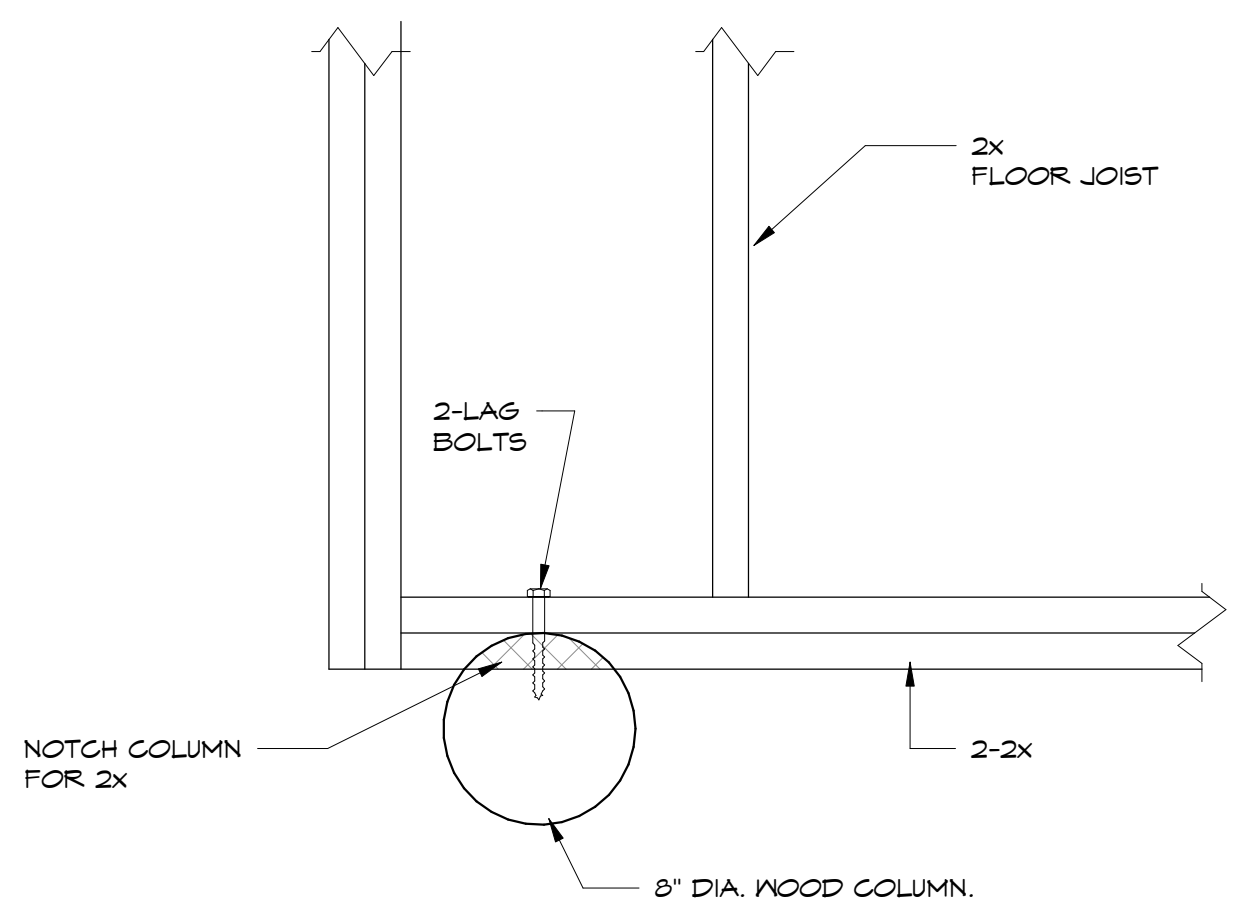
8
3/4" = 1'-0"



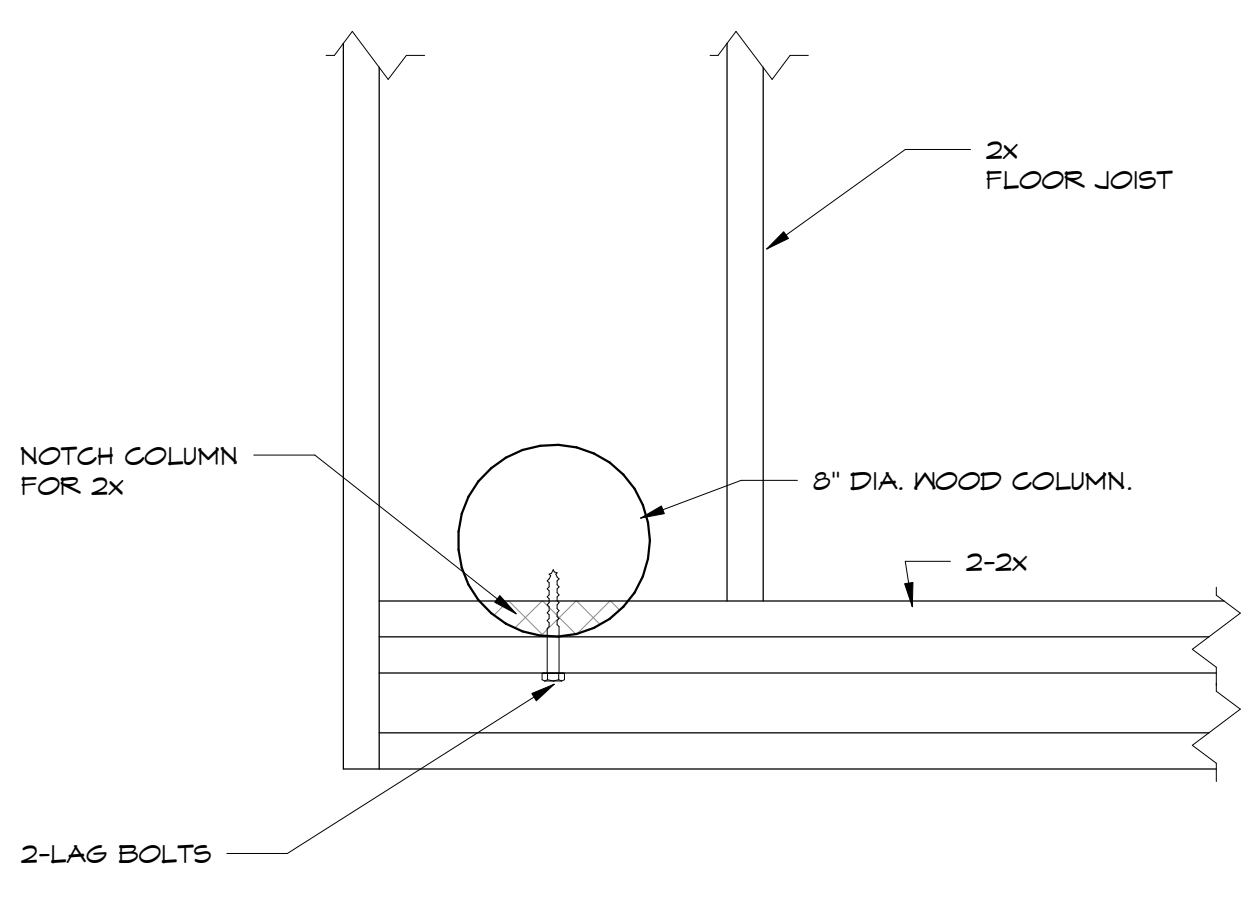
9
3/4" = 1'-0"



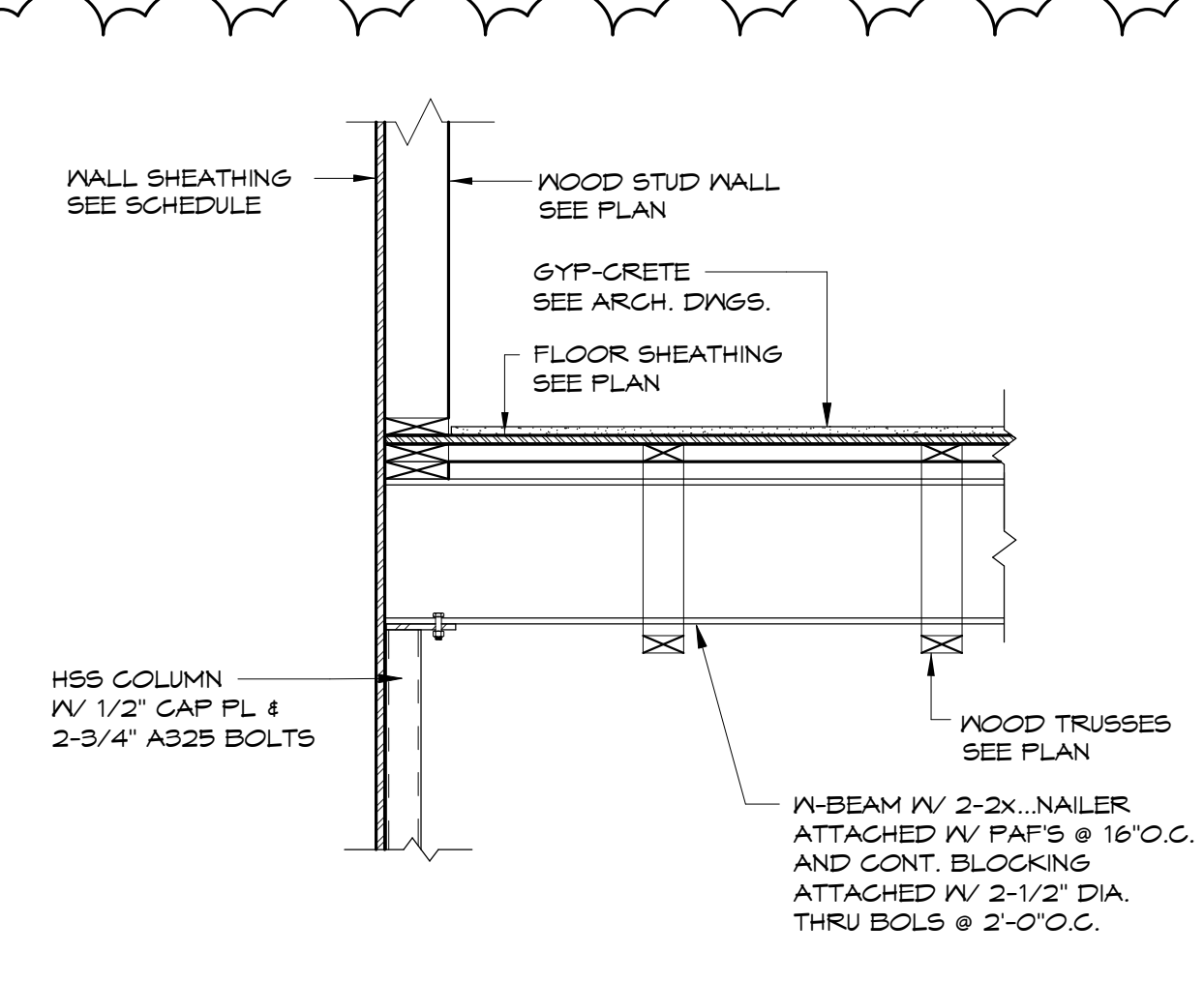
10
1 1/2" = 1'-0"



11
1 1/2" = 1'-0"



12
3/4" = 1'-0"



Date: 04/19/16	Scale: As indicated	Revisions:	FOUNDATION PERMIT	05/16/16
			80% REVIEW DRAWINGS	06/07/16
WOOD FRAMING DETAILS	Project:	Architect:	100% STRUCTURAL DRAWINGS	06/24/16
			100% CONSTRUCTION DRAWINGS	07/20/16
S602	Prepared For:	Consulting Engineer:	NewHeight Group	
			118 Congress Street, Unit 401 Portland, Maine	
		Architect:		VEITAS VEITAS engineers
				68 Granite Street, Suite 101 Beverly, Massachusetts 02914 Tel: (978) 686-7444 Fax: (978) 686-2905
		Project:		LUMINATO
		Architect:		ARCHETYPE architects
		Project:		48 Union Wharf Portland, Maine 04101 (207) 775-6022 ARCHETYPE@ARCHETYPEPA.COM
		Project:		Newbury Street Portland, Maine