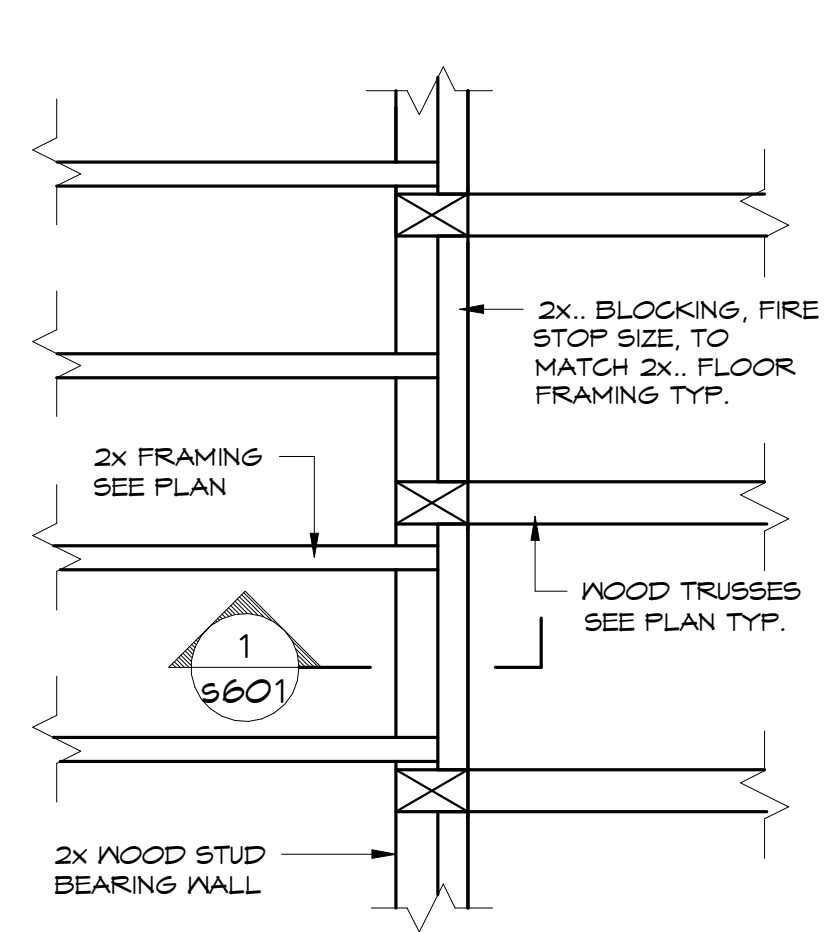
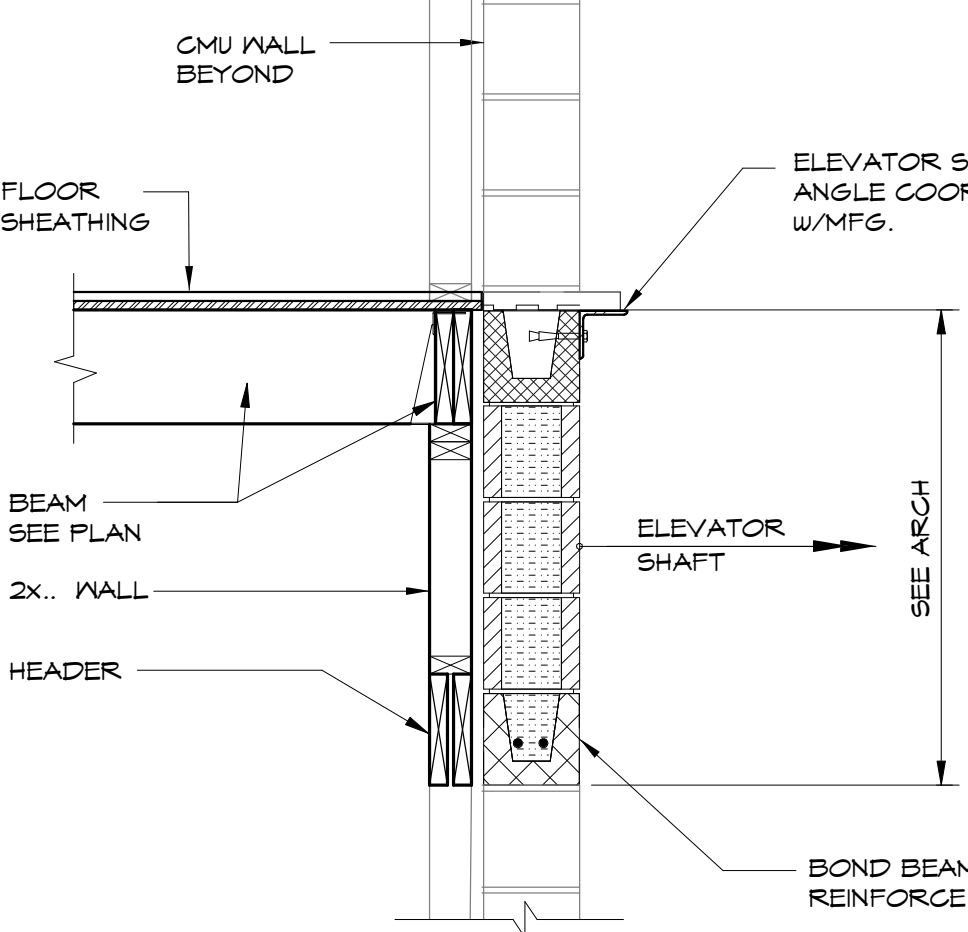


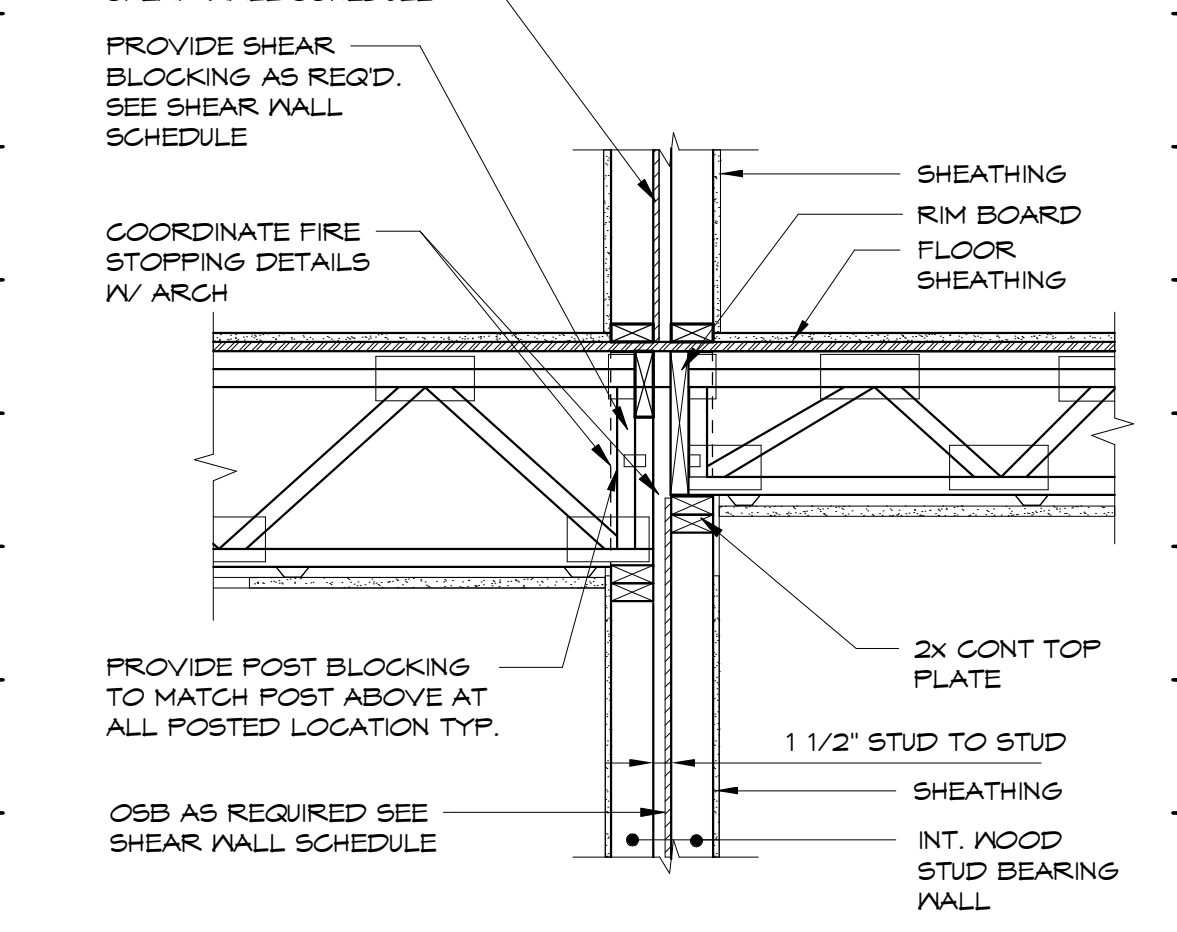
1 SECTION  
3/4" = 1'-0"



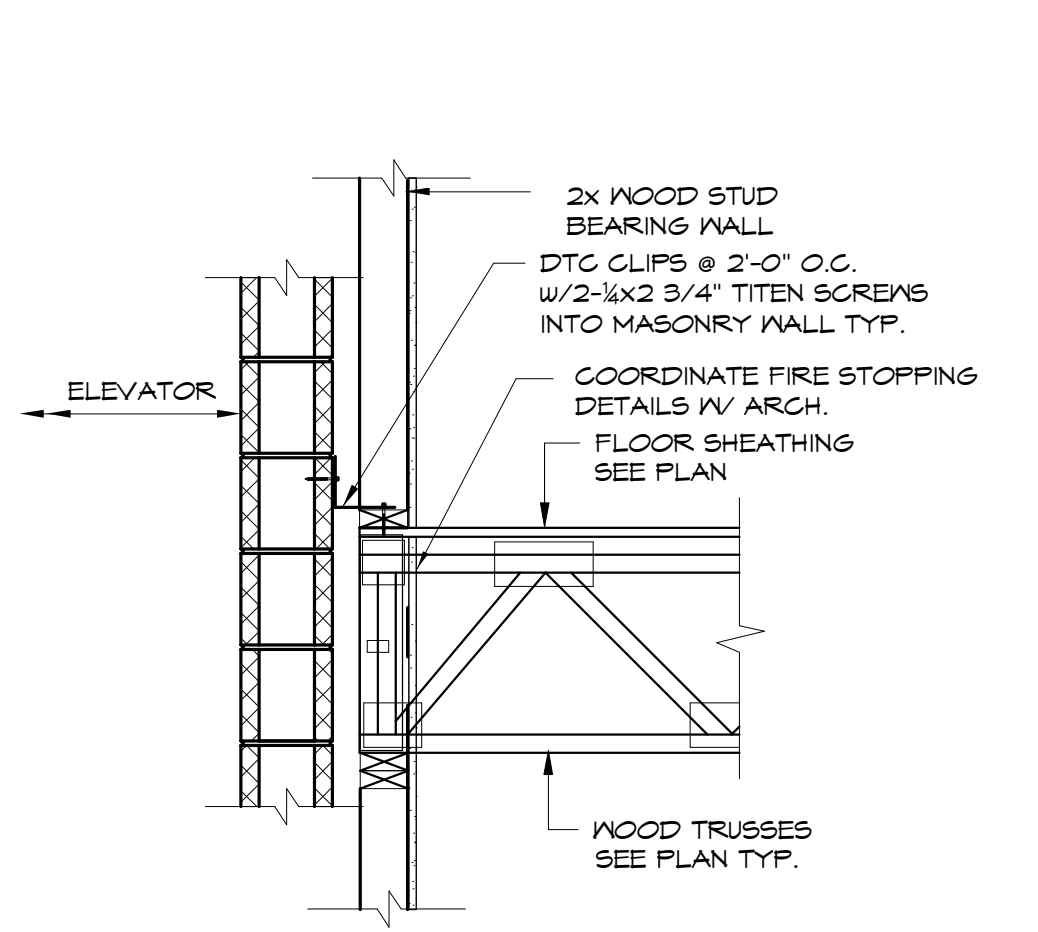
2 SECTION  
3/4" = 1'-0"



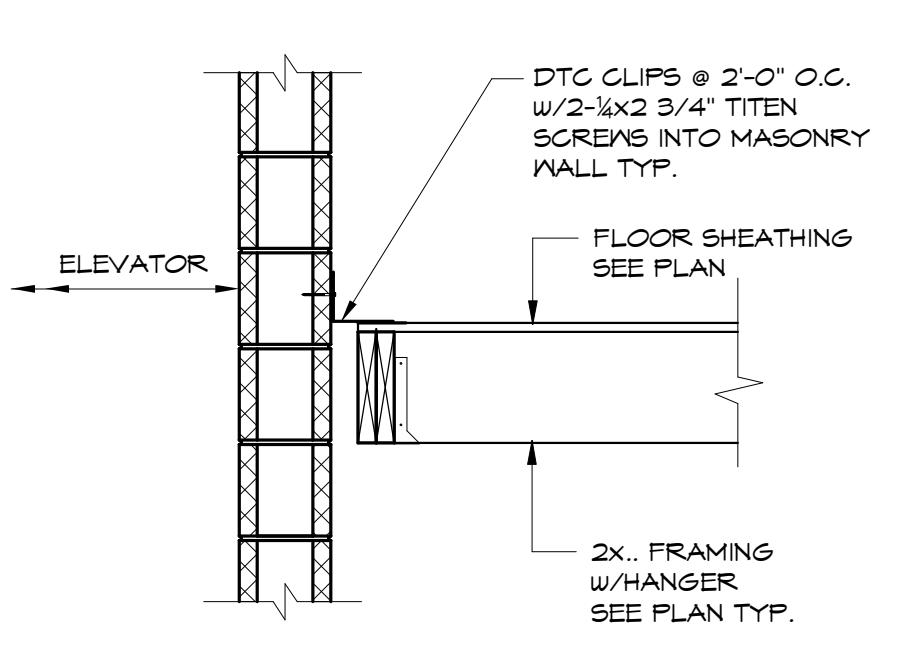
3 SECTION at ELEVATOR SILL  
3/4" = 1'-0"



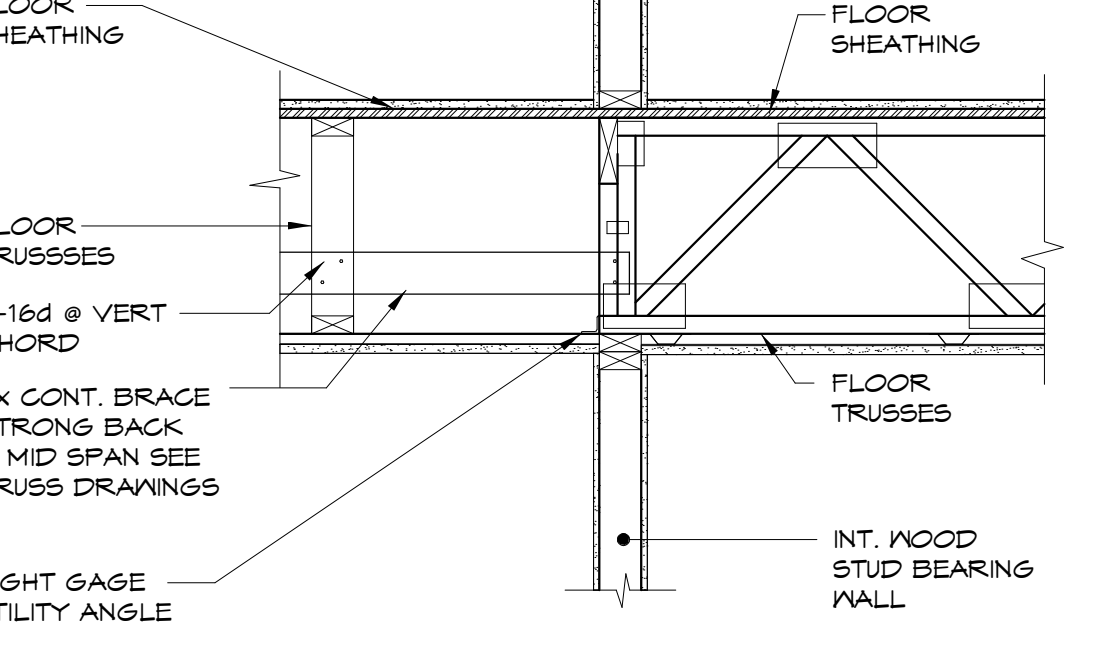
4 SECTION  
3/4" = 1'-0"



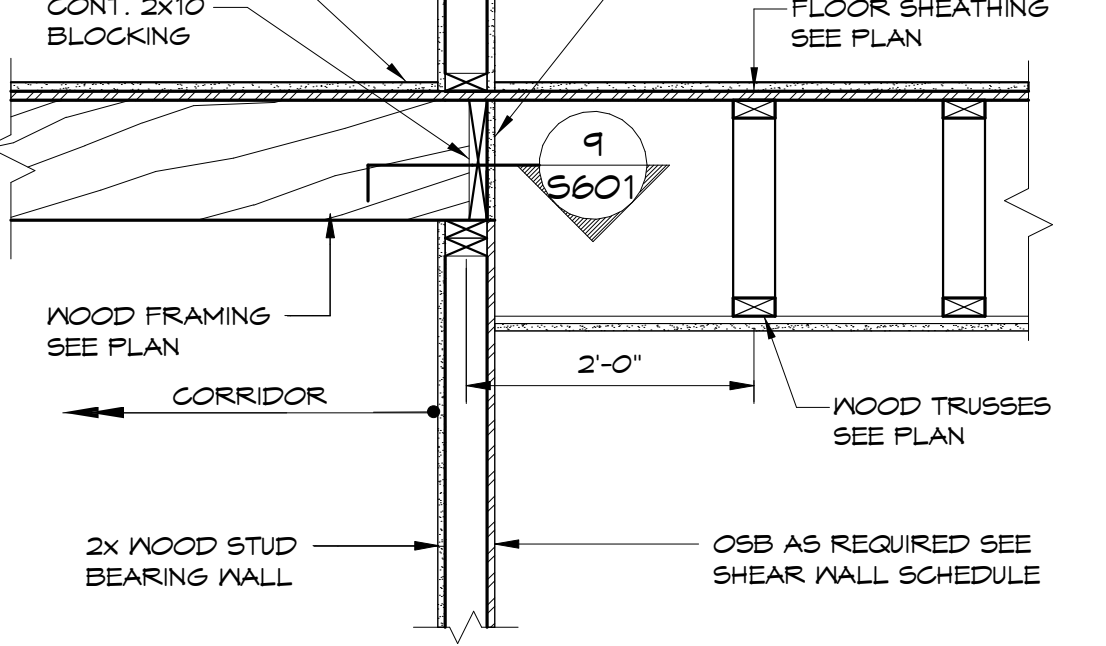
5 SECTION  
3/4" = 1'-0"



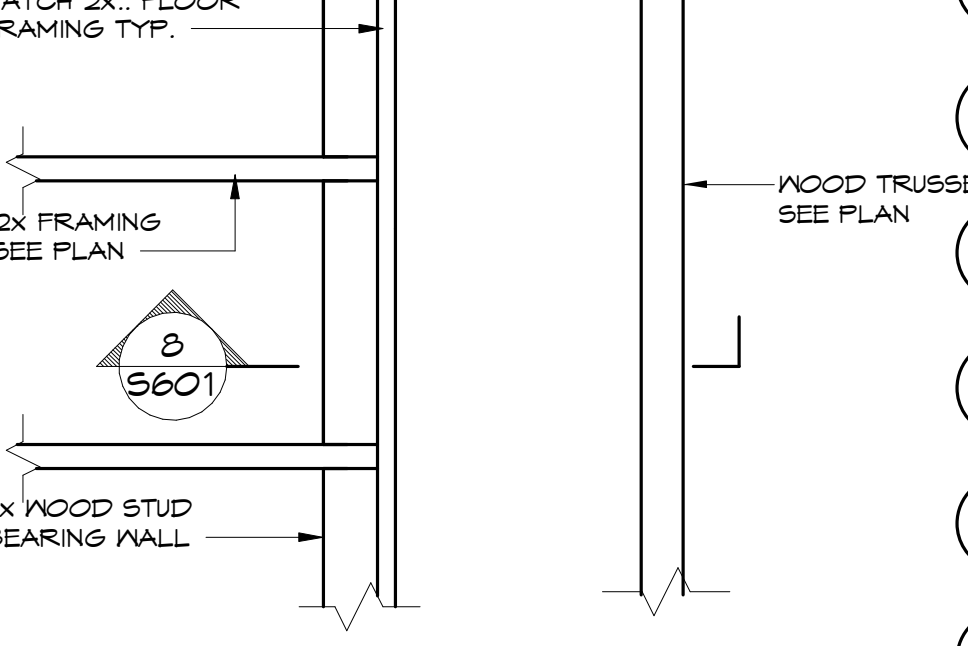
6 SECTION  
3/4" = 1'-0"



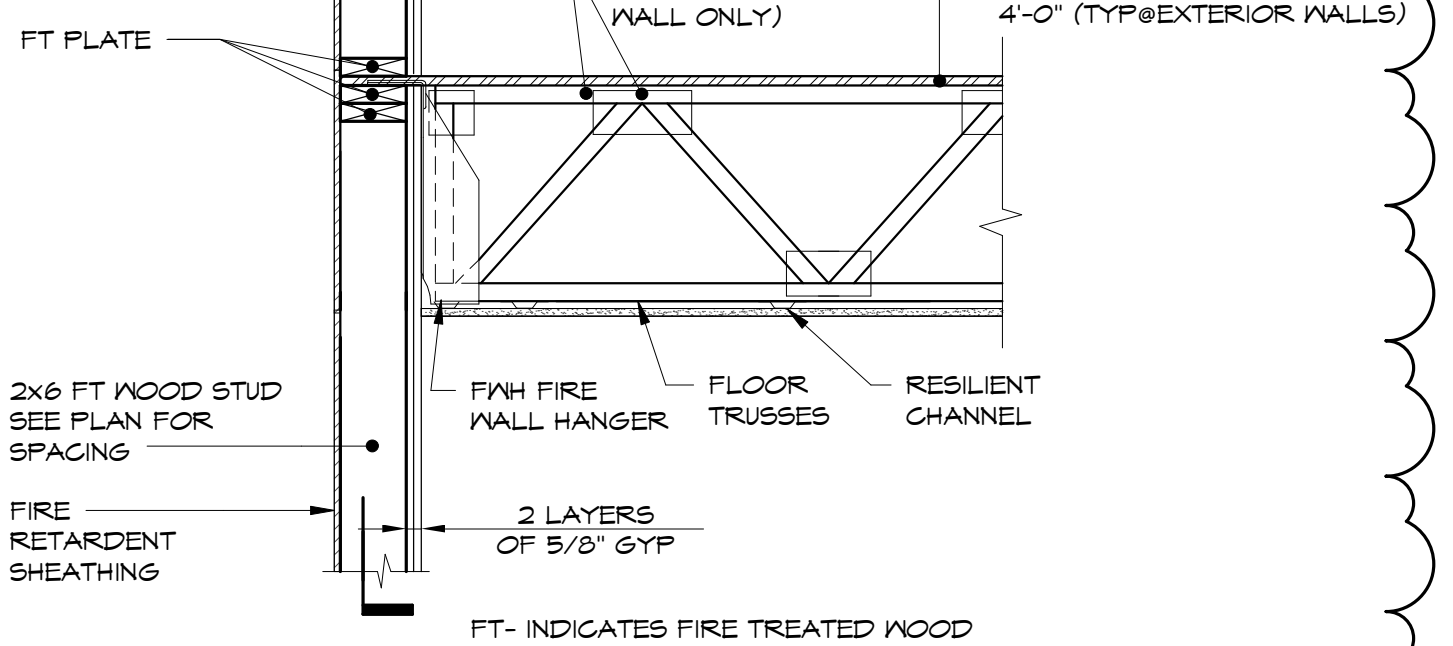
7 SECTION  
3/4" = 1'-0"



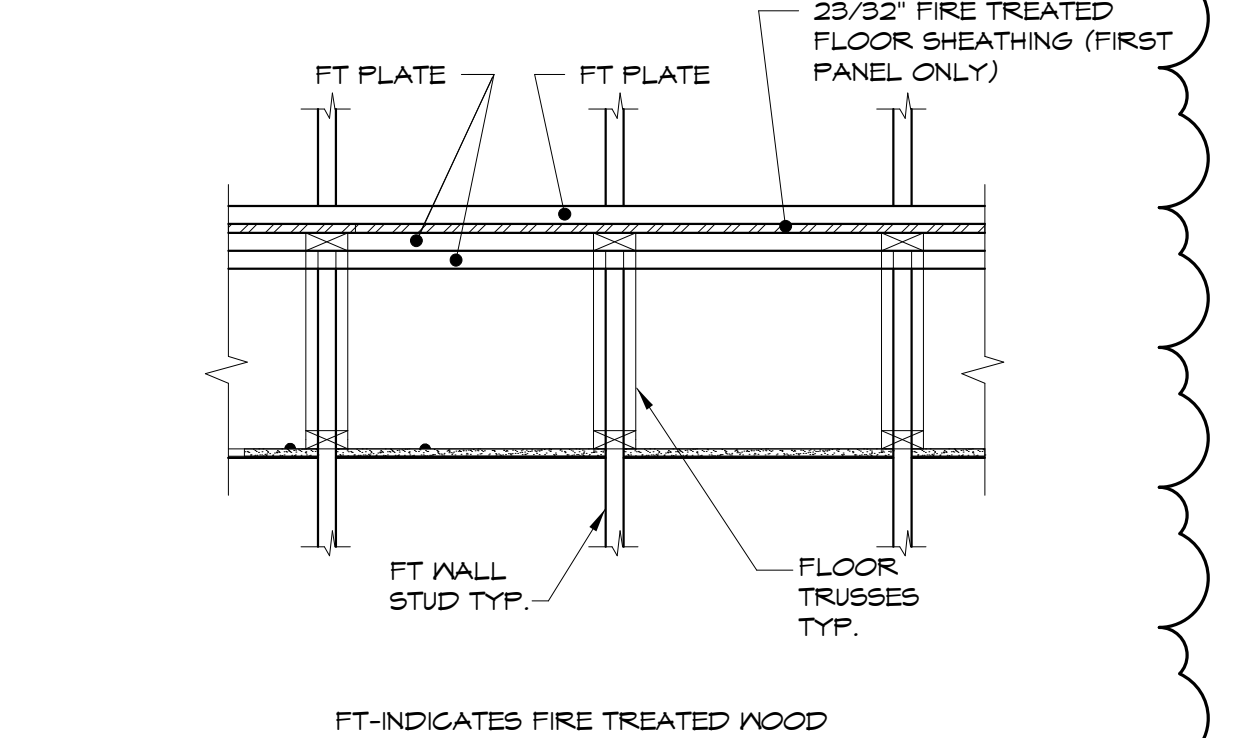
8 SECTION  
3/4" = 1'-0"



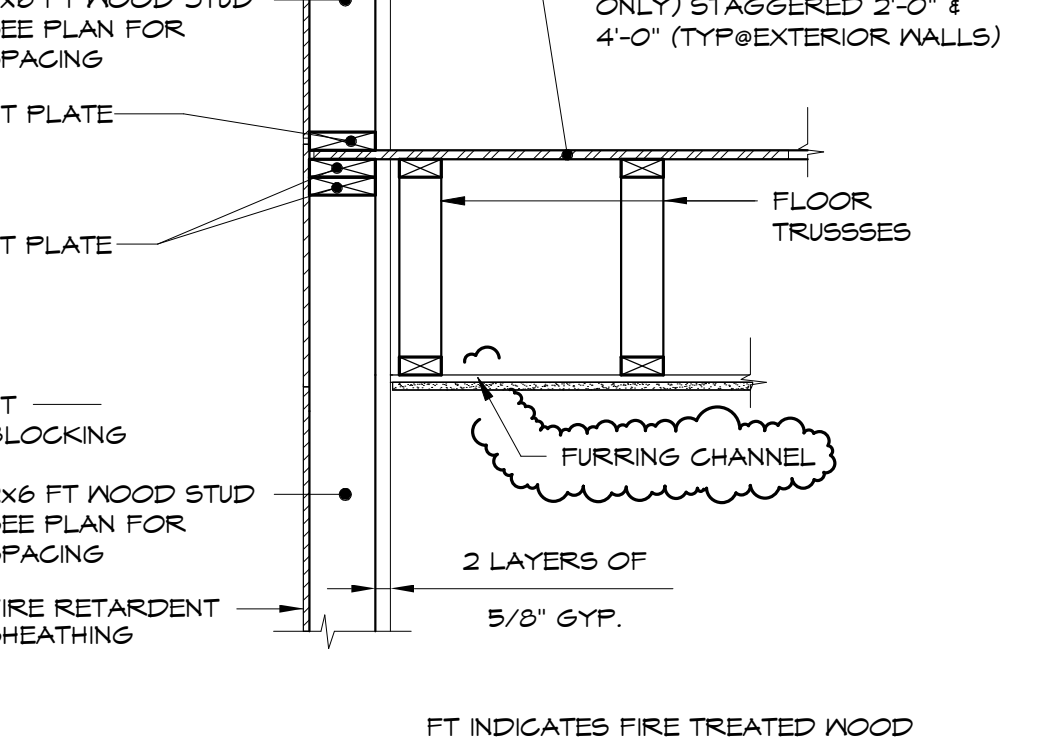
9 DETAIL  
3/4" = 1'-0"



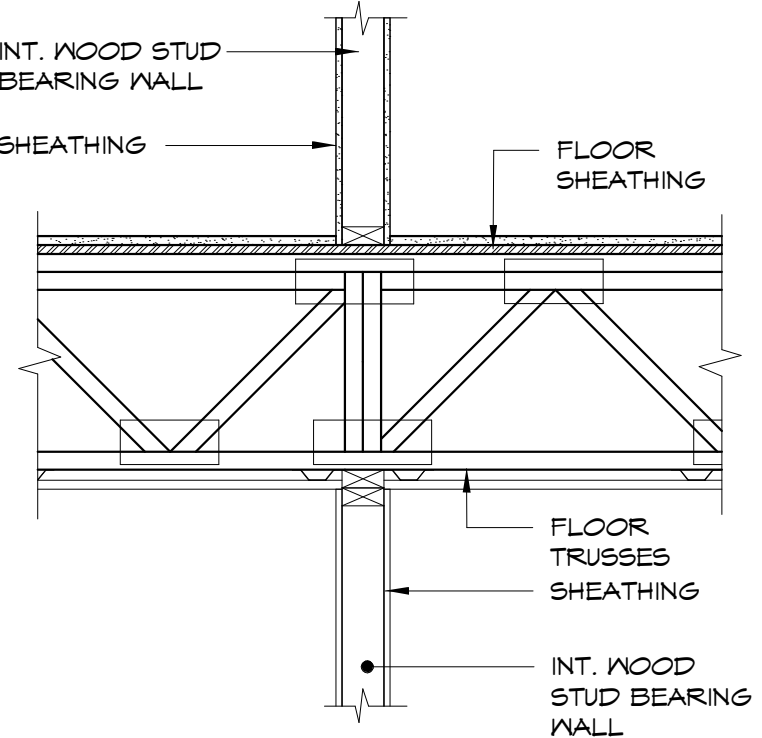
10 SECTION  
3/4" = 1'-0"



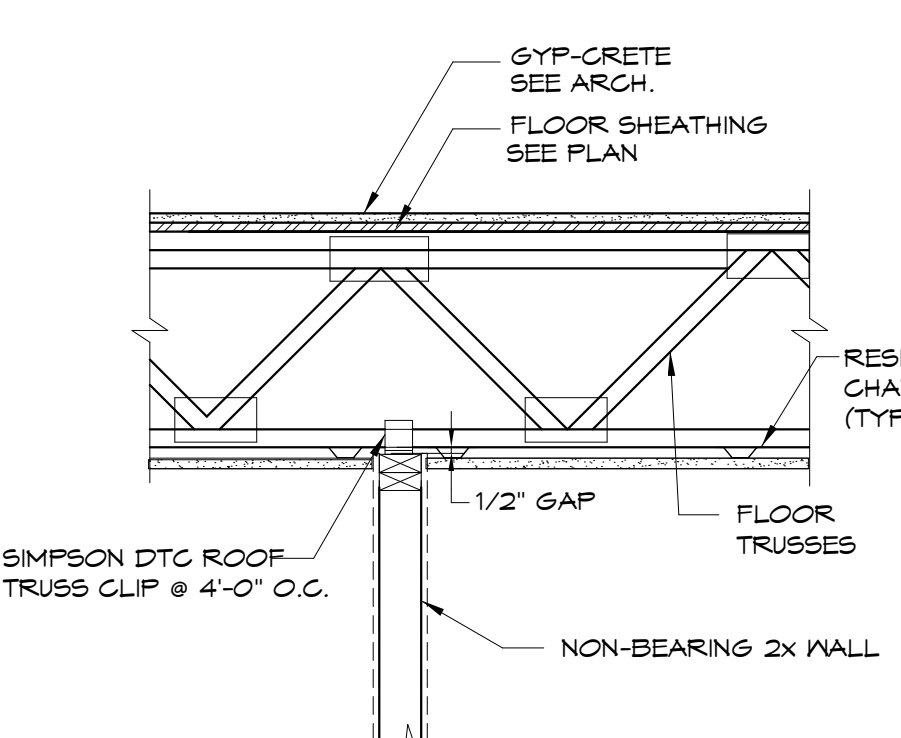
11 SECTION  
3/4" = 1'-0"



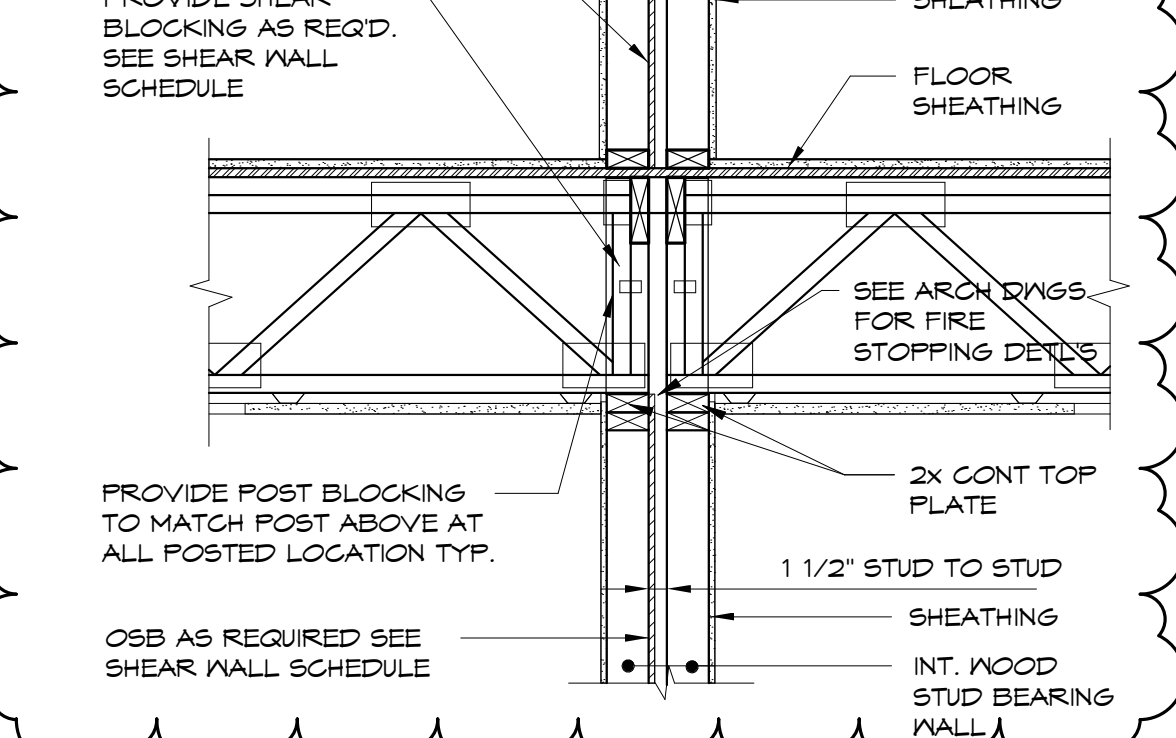
12 SECTION  
3/4" = 1'-0"



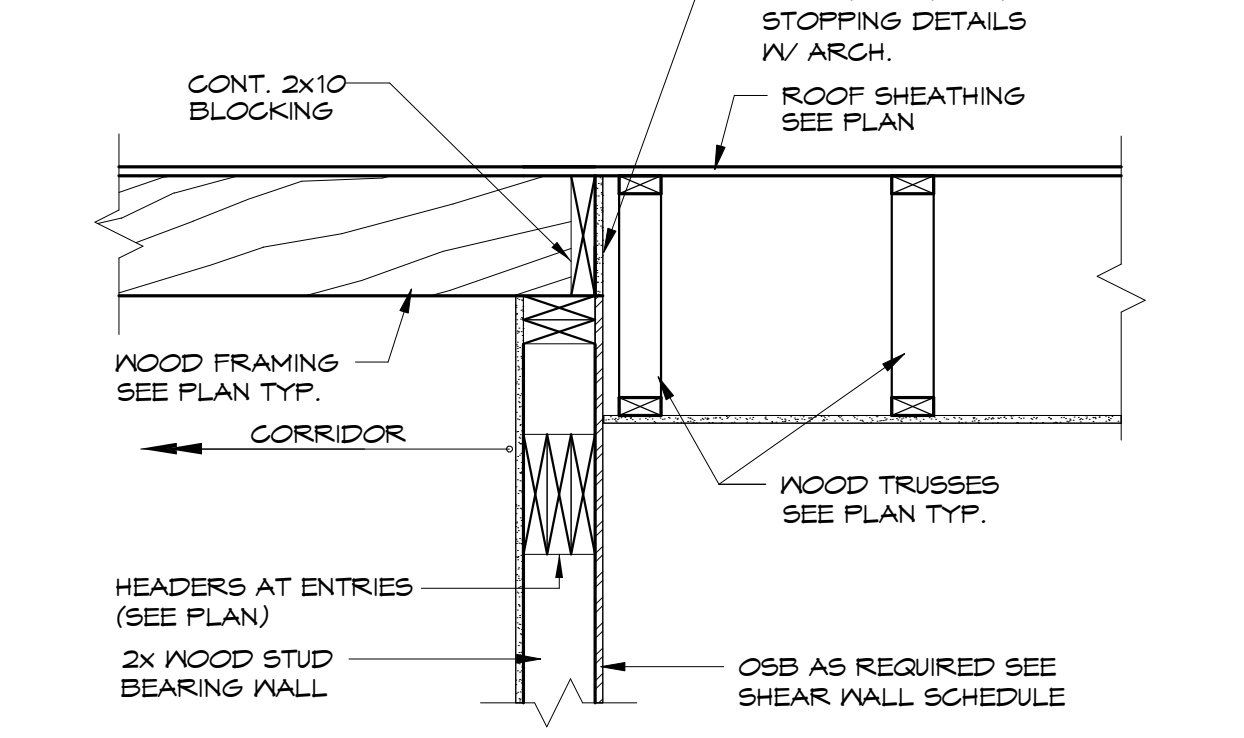
13 SECTION  
3/4" = 1'-0"



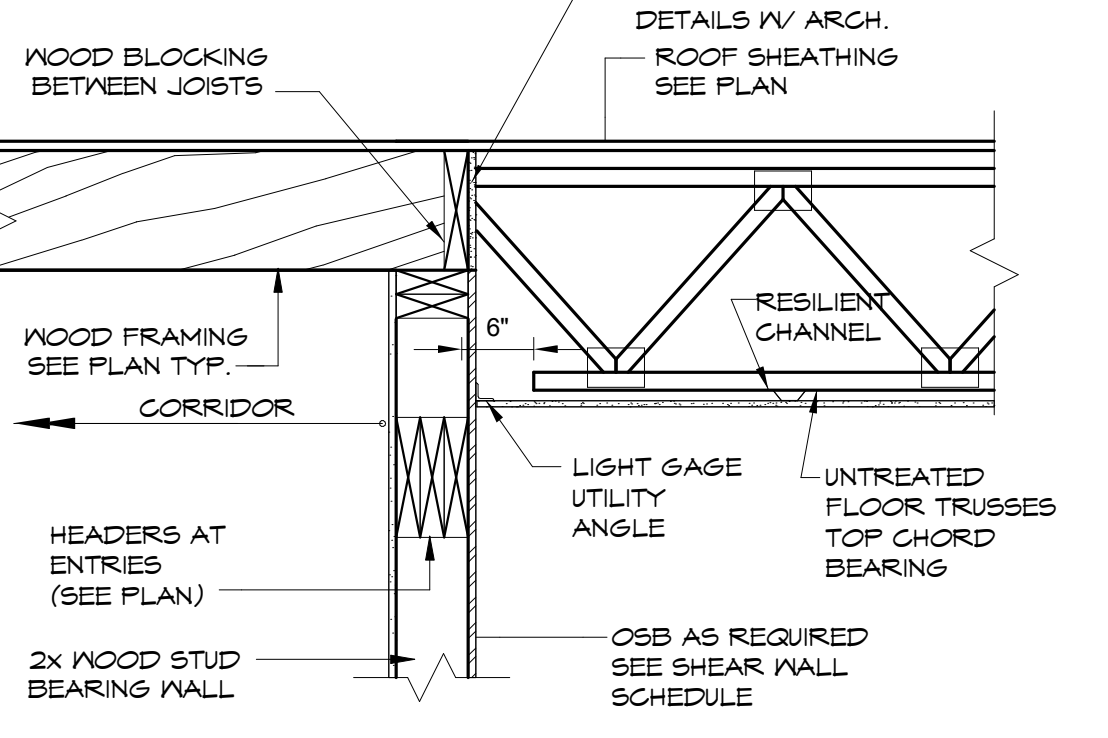
14 SECTION  
3/4" = 1'-0"



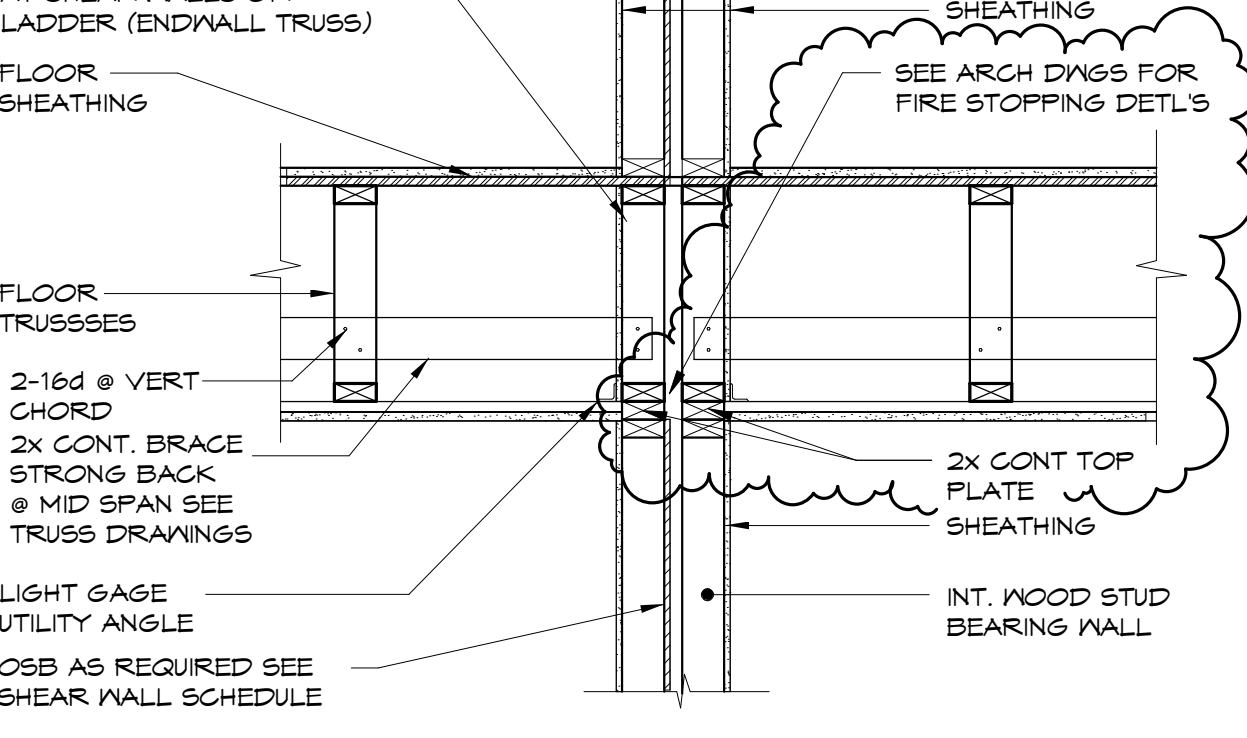
15 SECTION  
3/4" = 1'-0"



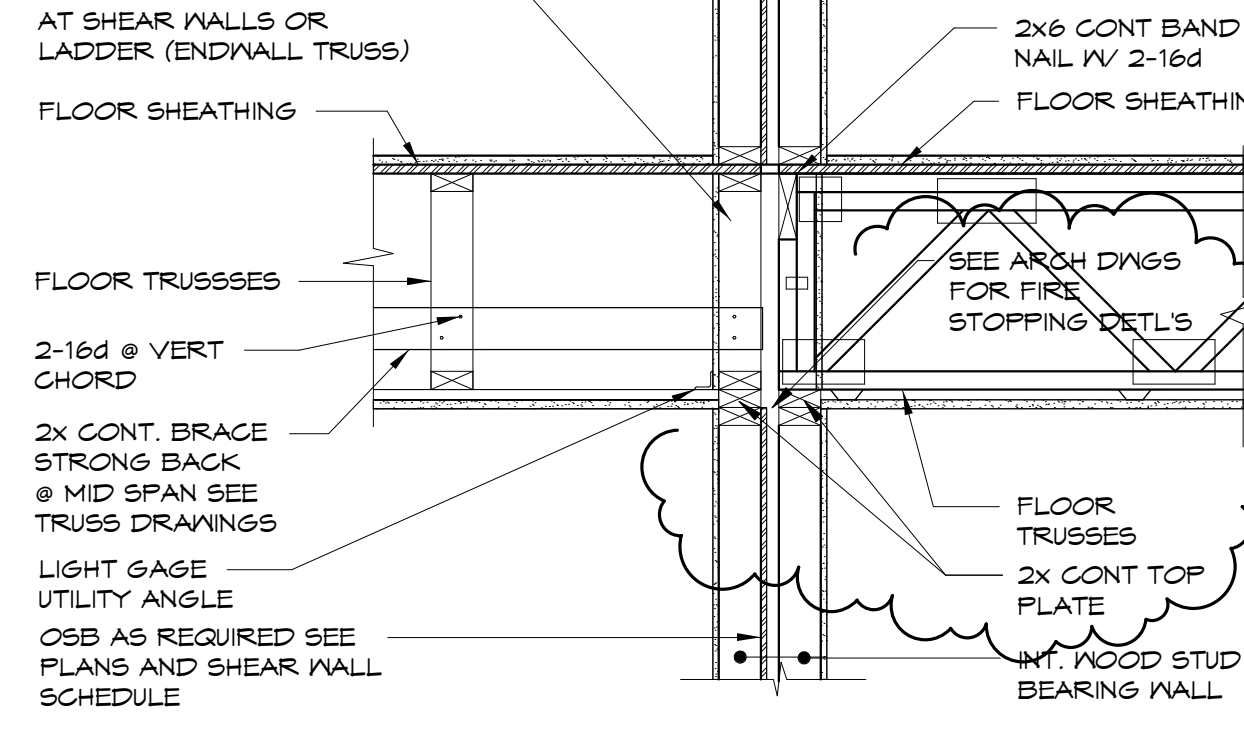
16 SECTION  
3/4" = 1'-0"



17 SECTION  
3/4" = 1'-0"



18 SECTION  
3/4" = 1'-0"



19 SECTION  
3/4" = 1'-0"

Prepared For: **NewHeight Group**  
118 Congress Street, Unit 401  
Portland, Maine

Consulting Engineer: **VEITAS VEITAS** engineers  
68 Granite Street, Suite 101  
Business, Scarborough, 02149  
Tel: (708) 266-7444 Fax: (708) 266-2605

Architect: **ARCHETYPE architects**  
48 Union Wharf Portland, Maine 04101  
(207) 775-6022 ARCHETYPE@ARCHETYPEA.COM

Project: **LUMINATO**  
Newbury Street Portland, Maine

Revisions:	05/16/16	FOUNDATION PERMIT
	06/07/16	80% REVIEW DRAWINGS
	06/24/16	100% STRUCTURAL DRAWINGS
	07/20/16	100% CONSTRUCTION DRAWINGS

Date: 04/19/16  
Scale: 3/4" = 1'-0"  
WOOD FRAMING DETAILS

**S601**