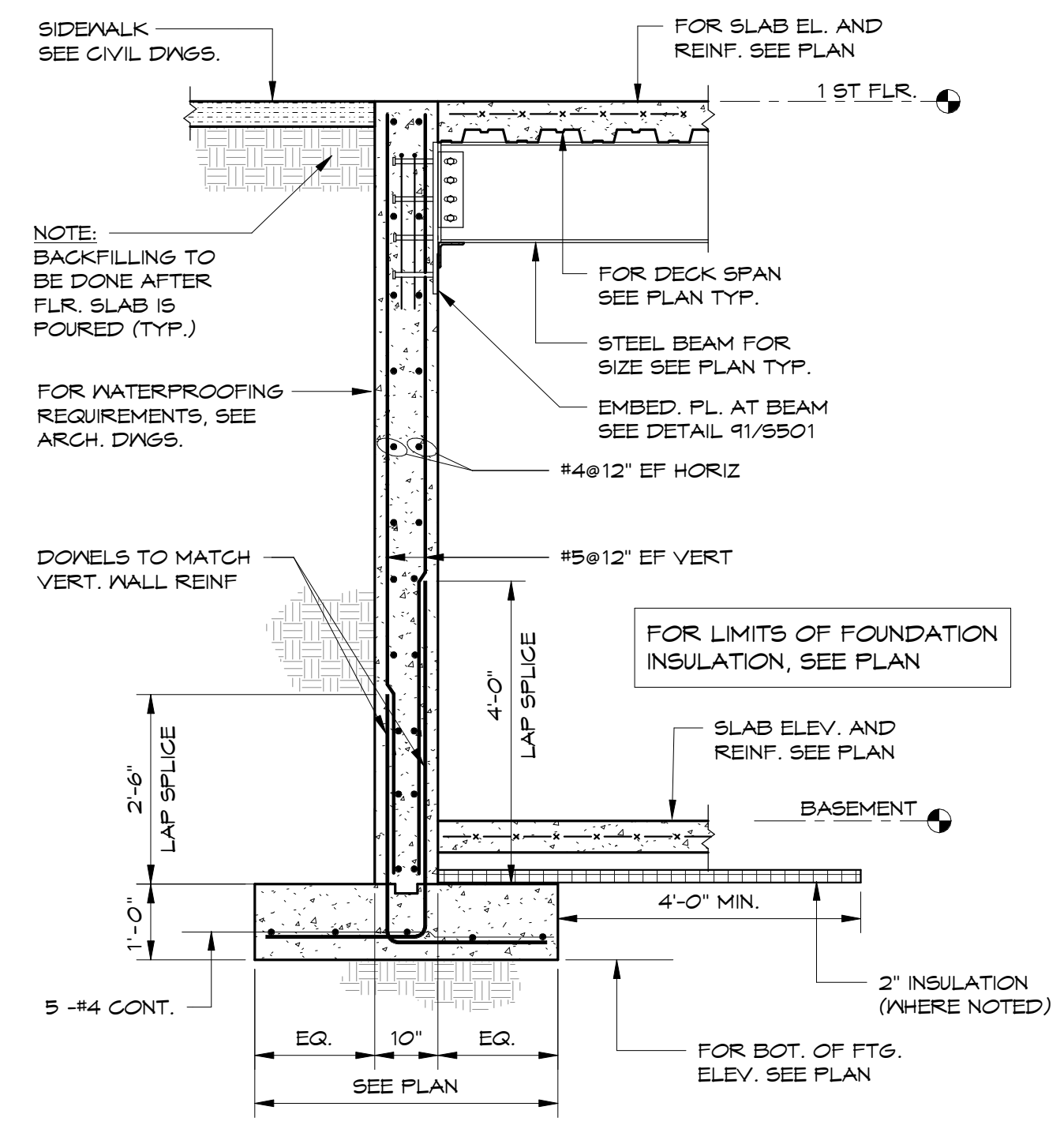
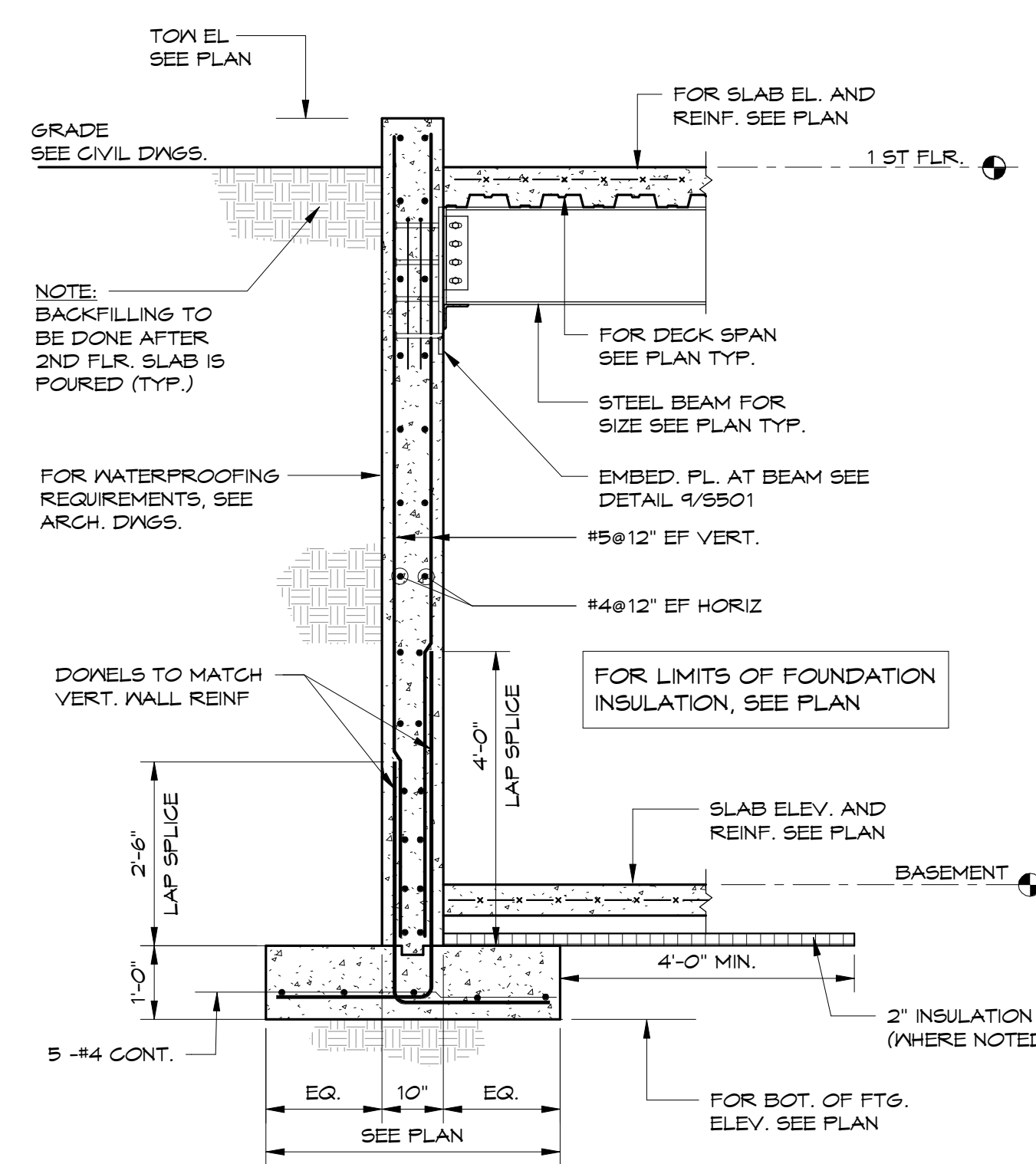


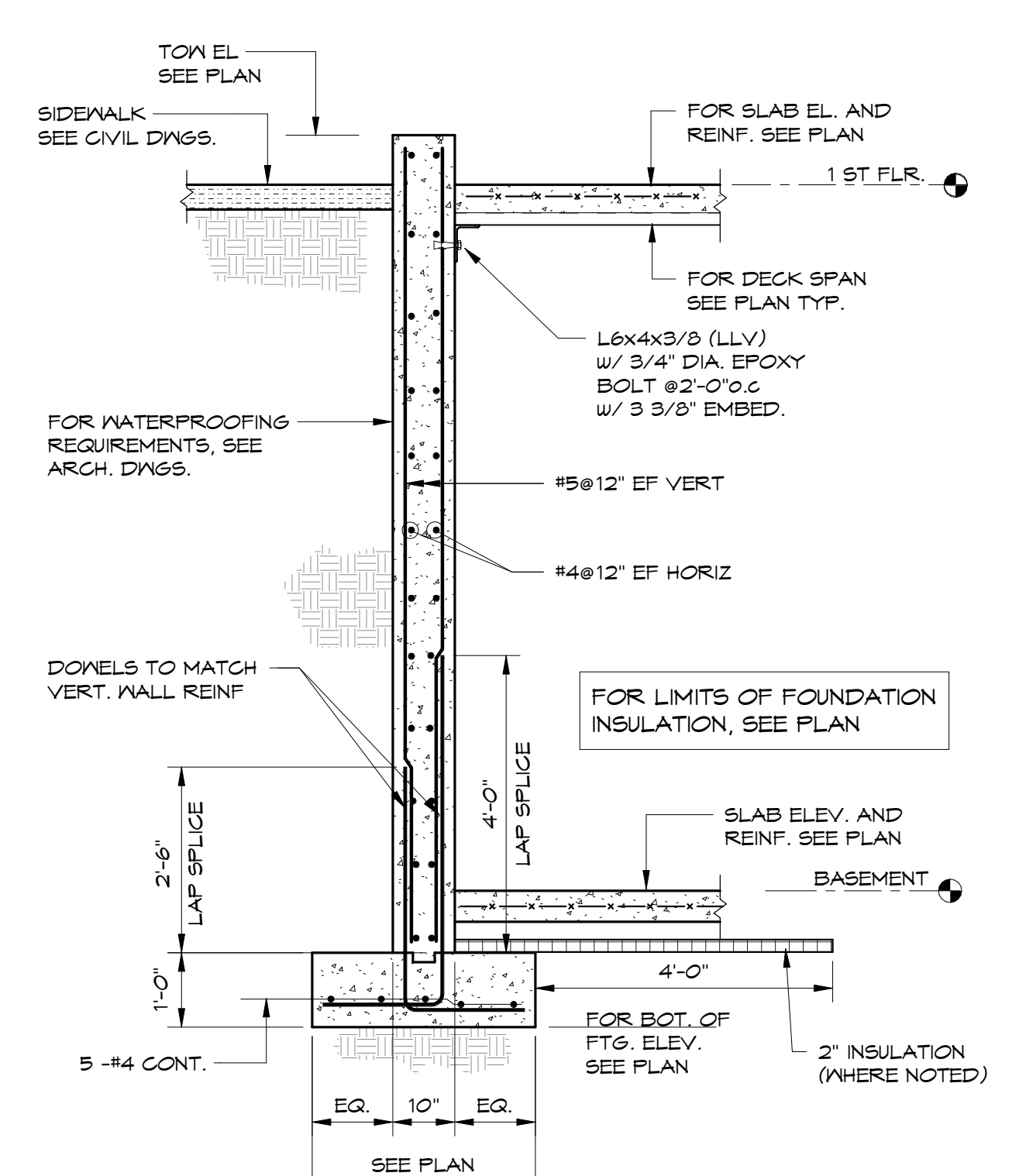
1 SECTION
S402 1/2" = 1'-0"



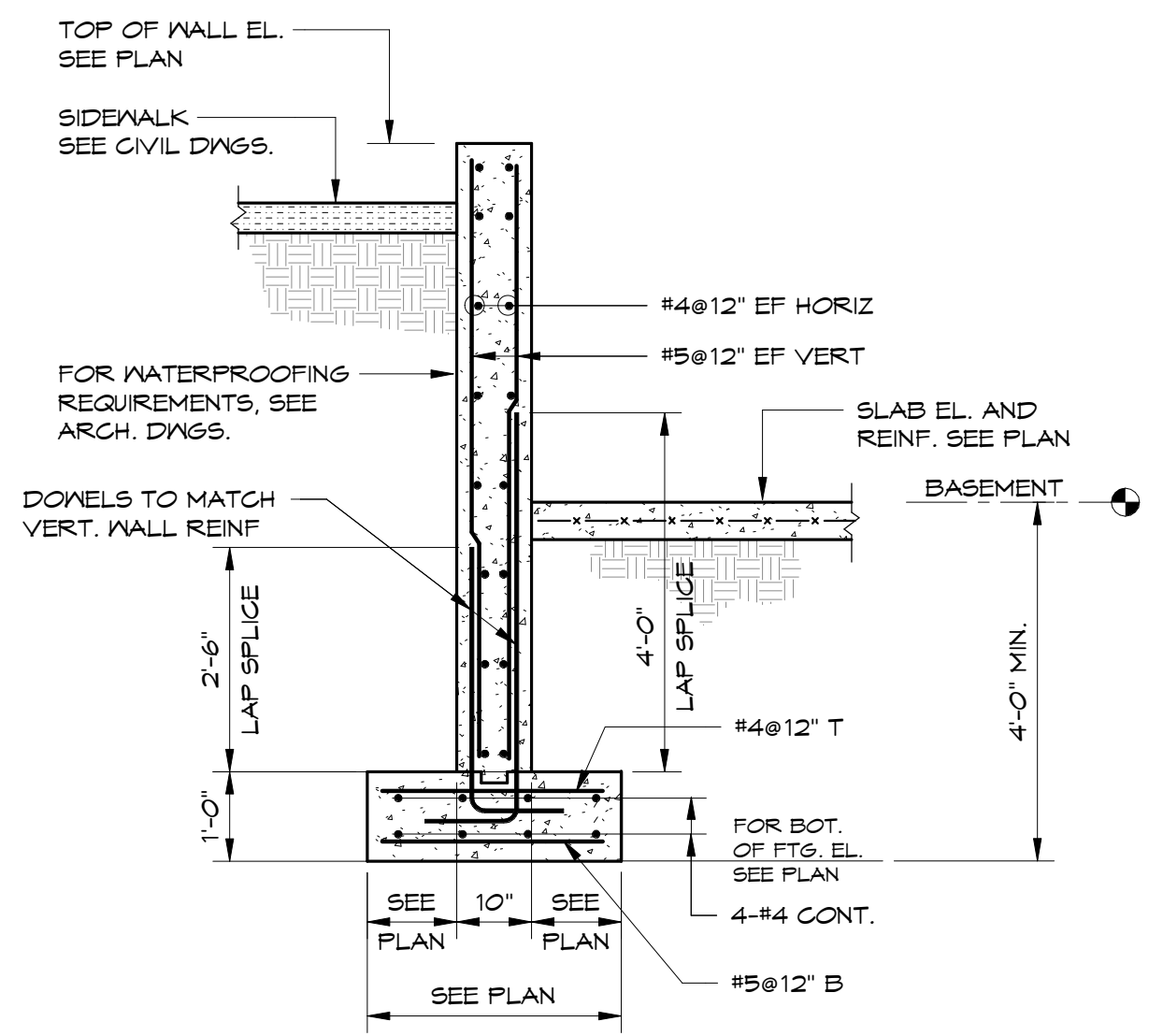
2 SECTION
S402 1/2" = 1'-0"



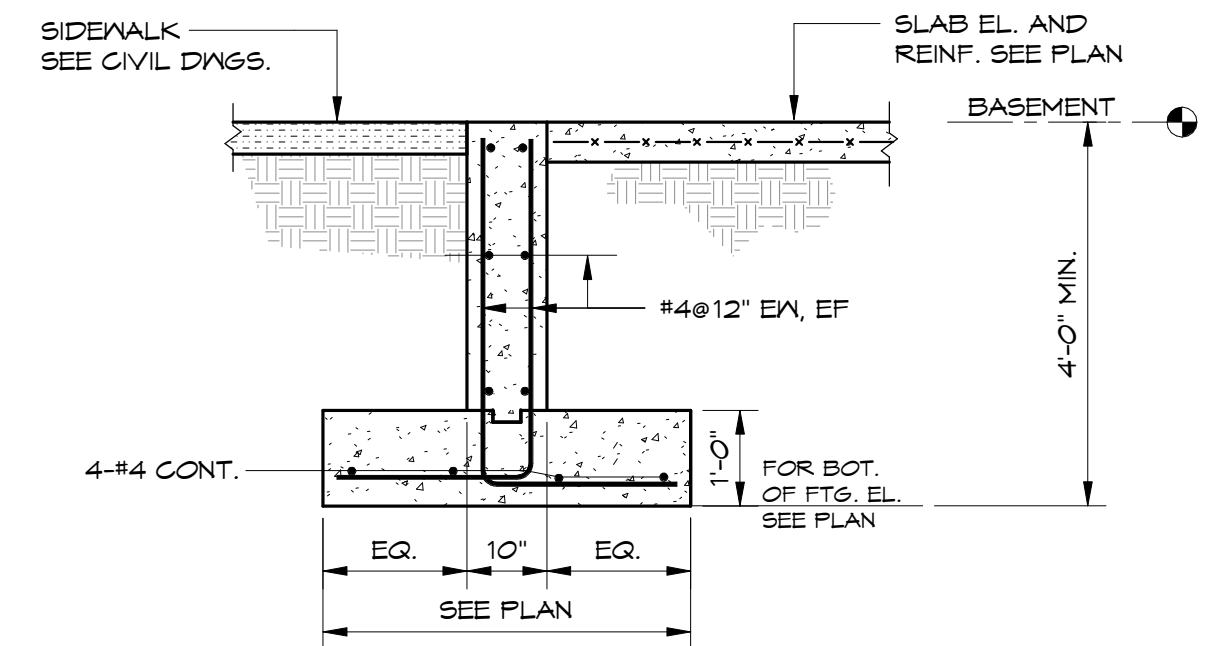
3 SECTION
S402 1/2" = 1'-0"



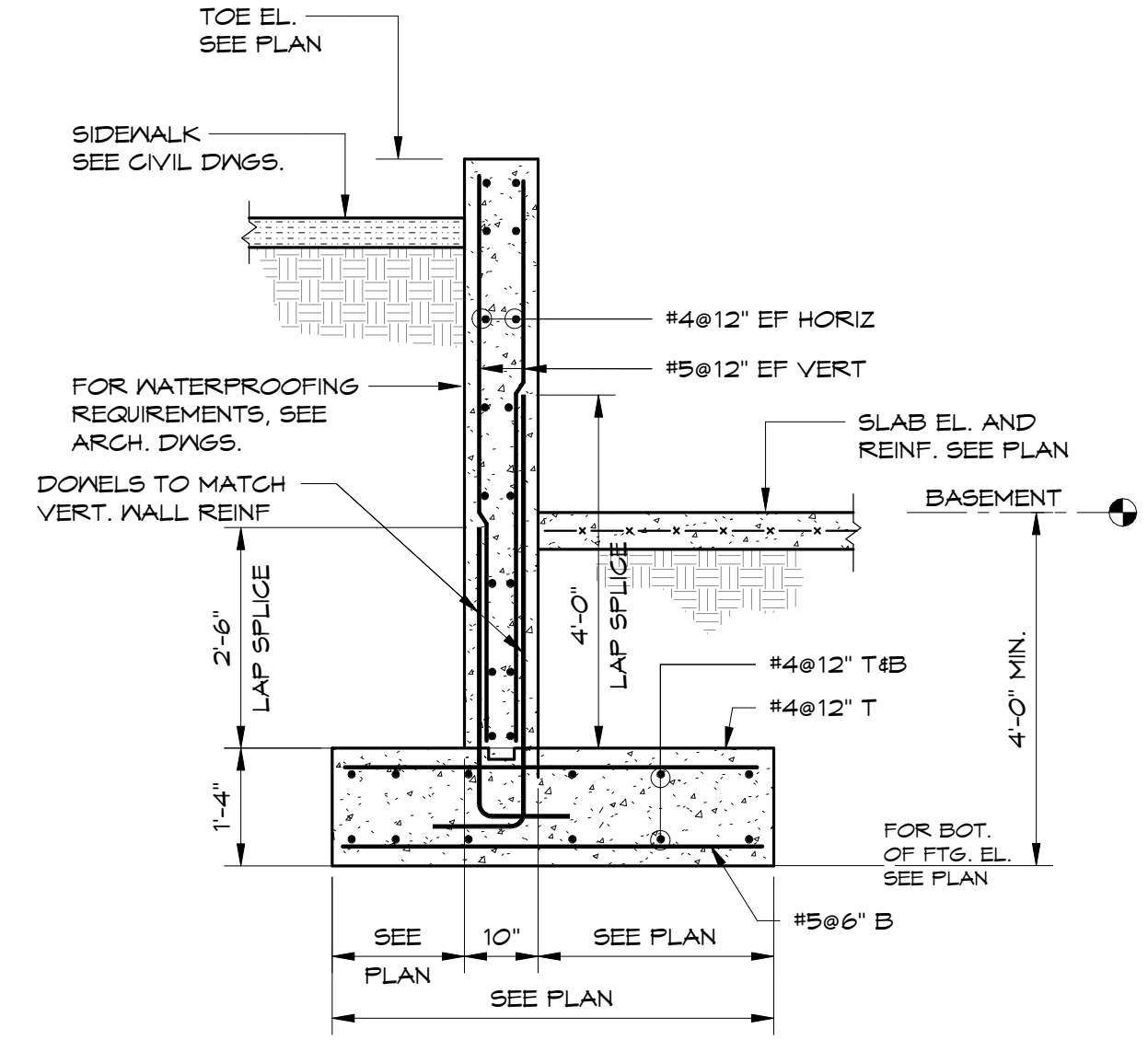
4 SECTION
S402 1/2" = 1'-0"



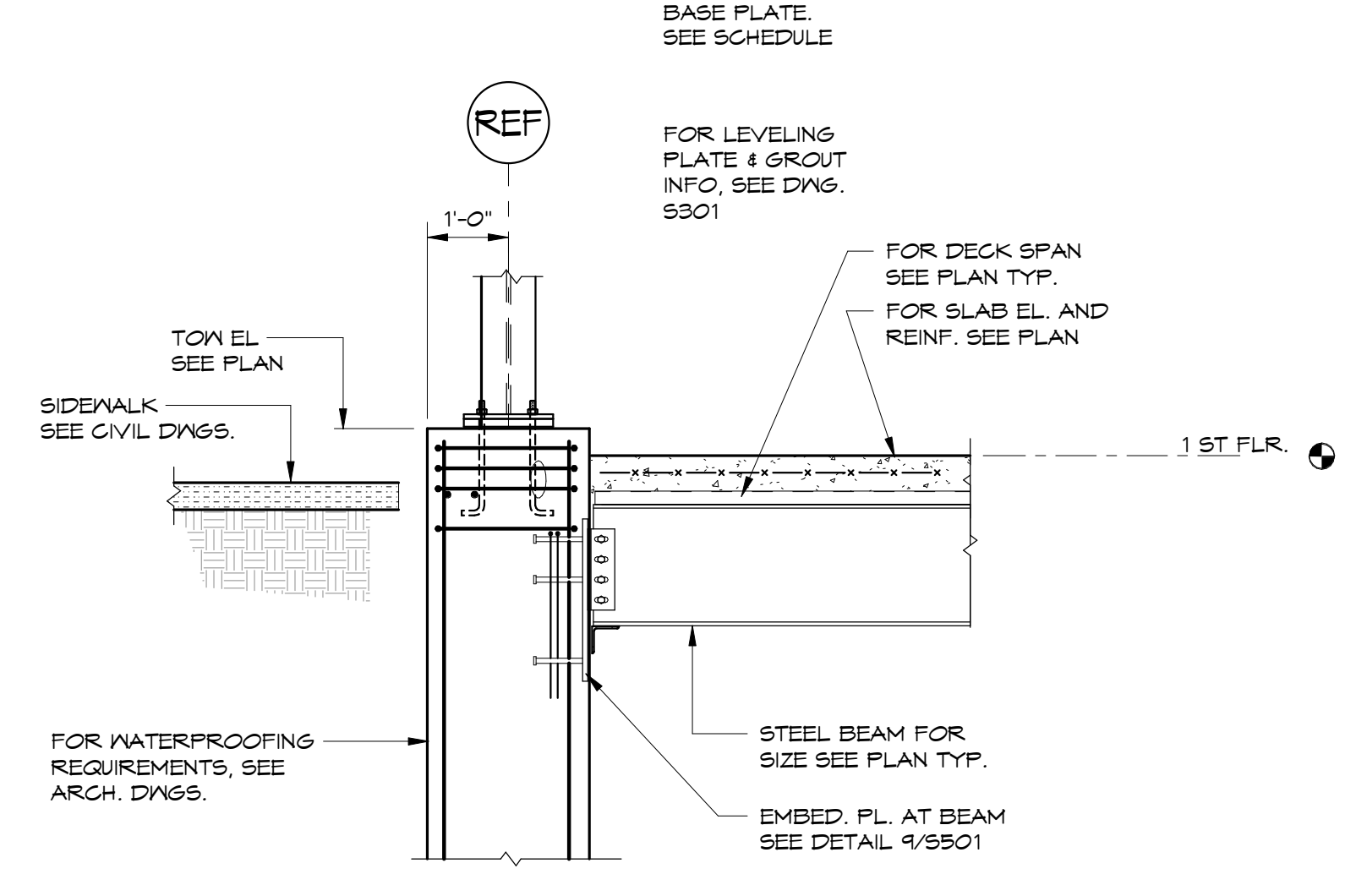
5 SECTION
S402 1/2" = 1'-0"



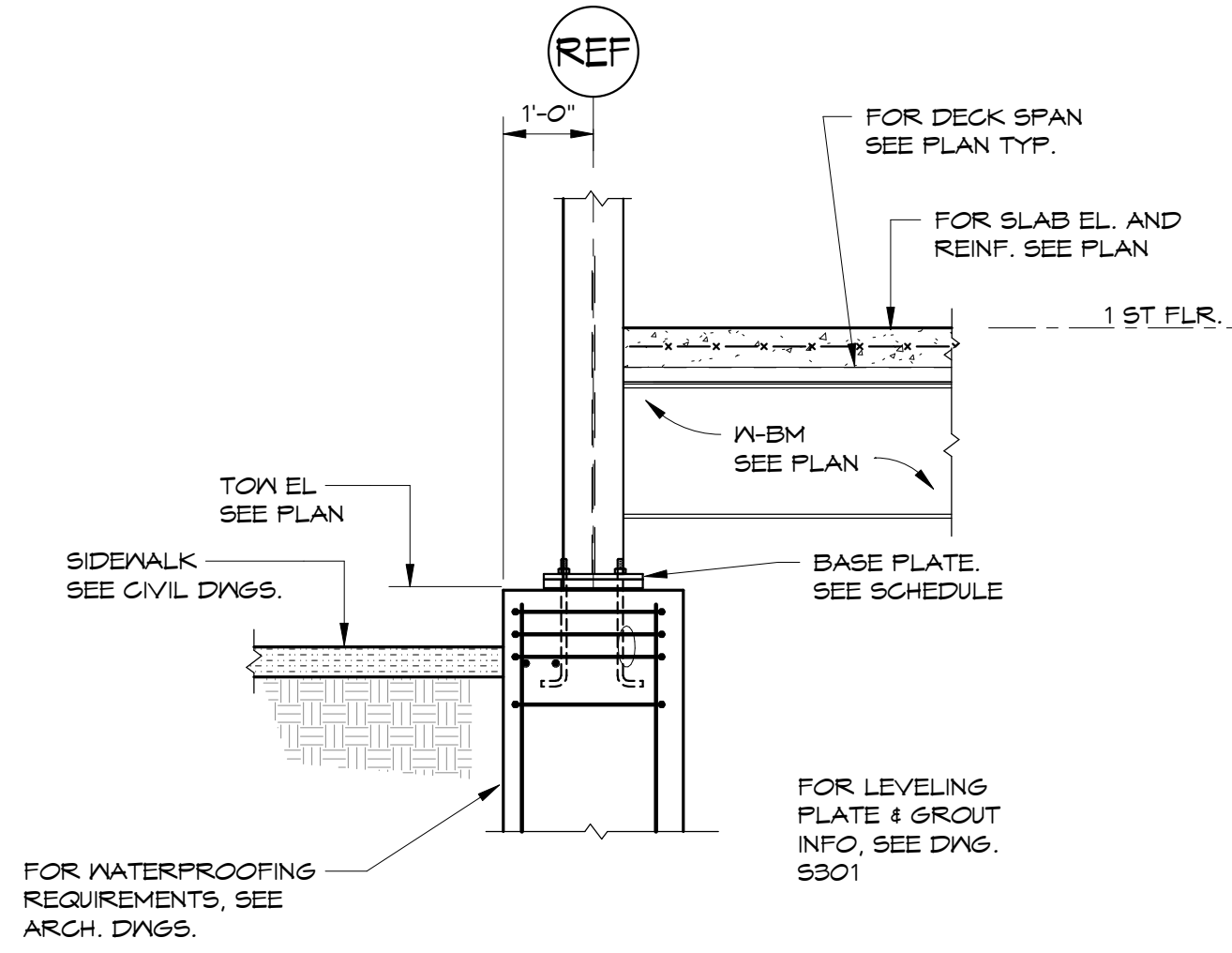
6 SECTION
S402 1/2" = 1'-0"



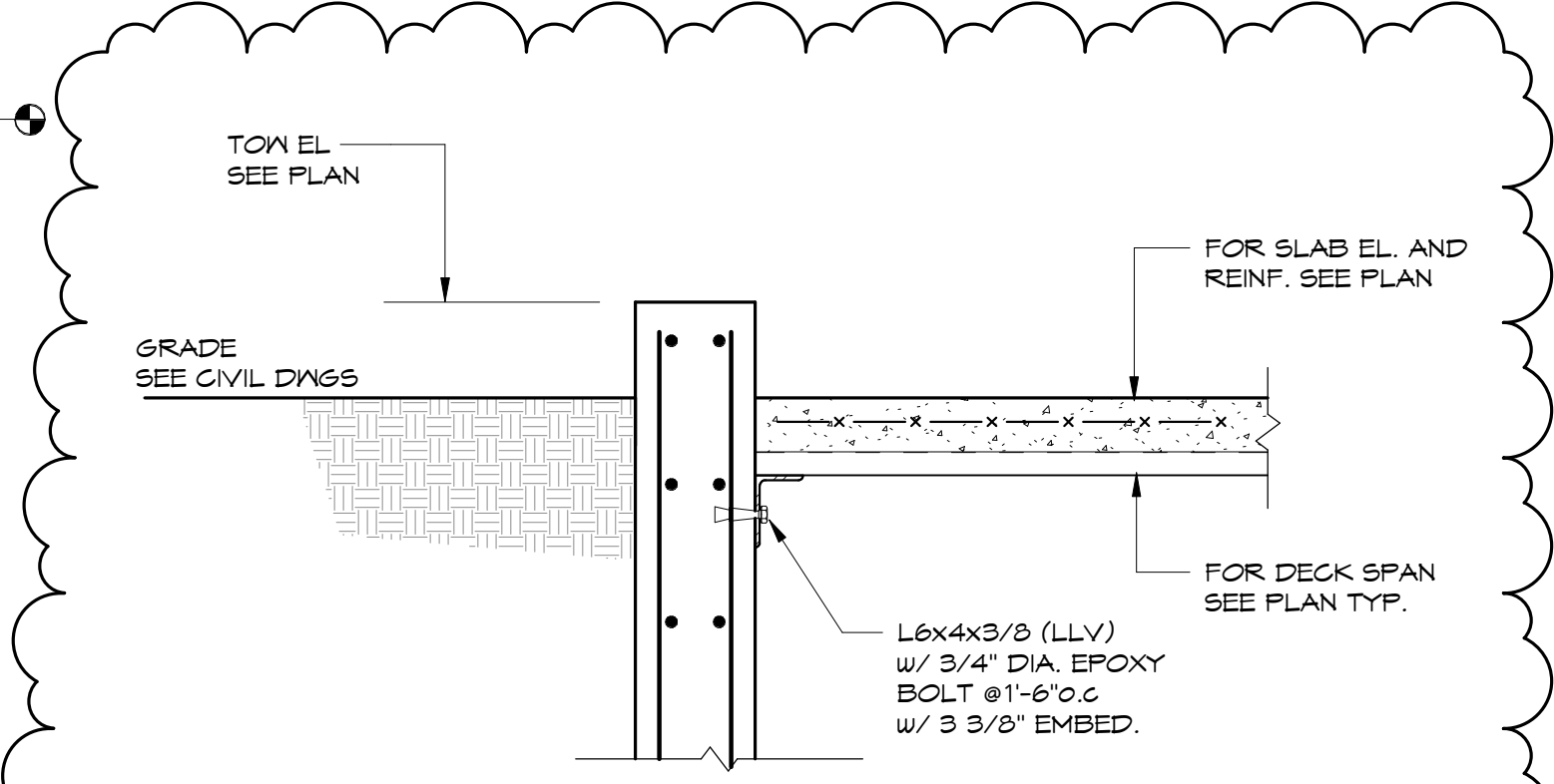
7 SECTION
S402 1/2" = 1'-0"



8 DETAIL AT COLUMN
1/2" = 1'-0"



9 DETAIL AT COLUMN
1/2" = 1'-0"



10 SECTION
3/4" = 1'-0"

Prepared For: **NewHeight Group**
118 Congress Street, Unit 401
Portland, Maine

Consulting Engineer: **VEITAS VEITAS** engineers
68 Granite Street, Suite 101
Business, Scarborough, ME 04144
Tel: (708) 888-7444 Fax: (708) 888-2805

Architect: **ARCHETYPE architects**
48 Union Wharf Portland, Maine 04101
(207) 775-6022 ARCHETYPE@ARCHETYPEPA.COM

Project: **LUMINATO**
Newbury Street Portland, Maine

Revisions:
05/16/16 FOUNDATION PERMIT
06/07/16 80% REVIEW DRAWINGS
06/24/16 100% STRUCTURAL DRAWINGS
07/20/16 100% CONSTRUCTION DRAWINGS

Date: 04/19/16
Scale: As indicated

FOUNDATION DETAILS

S402