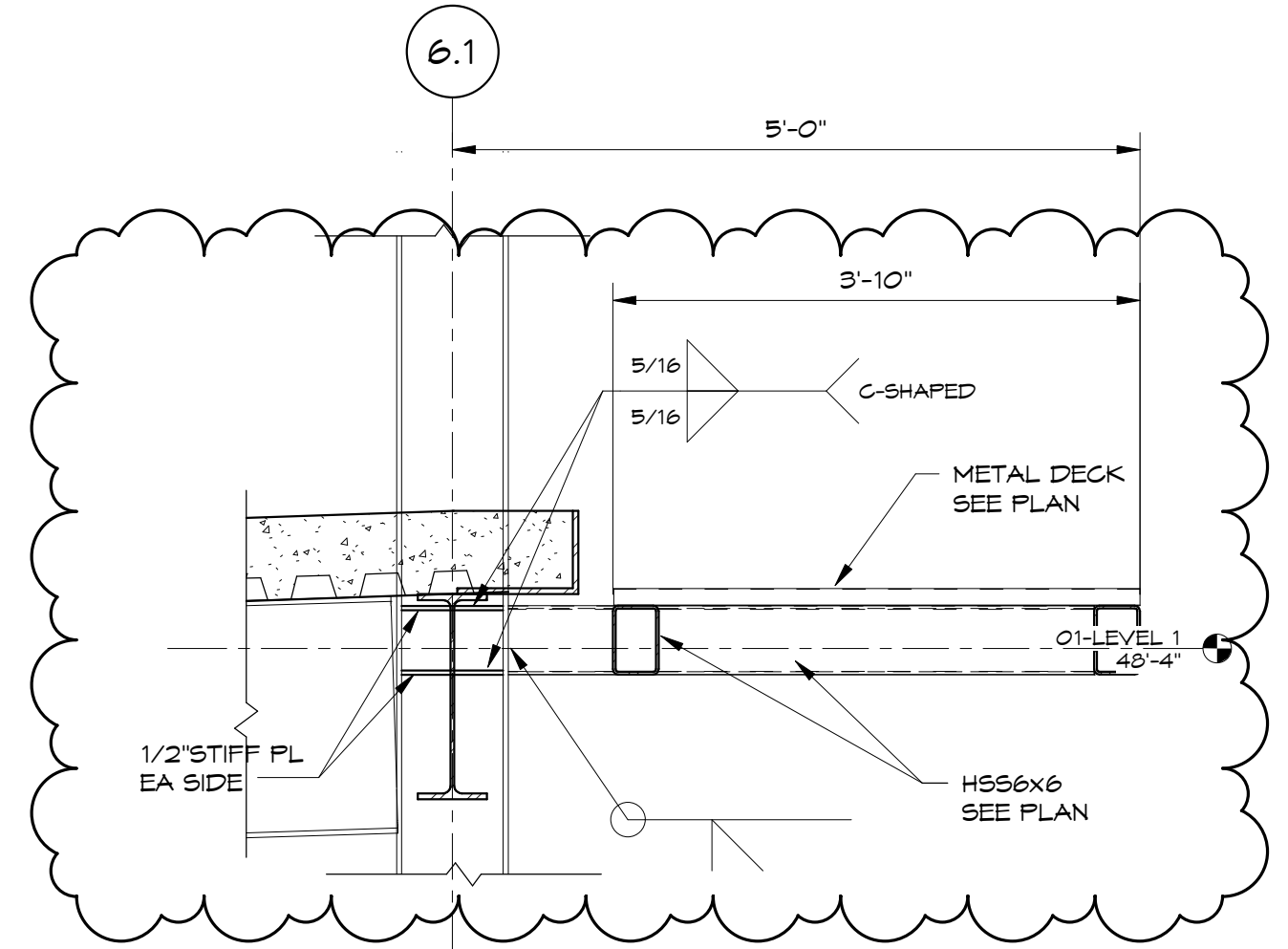


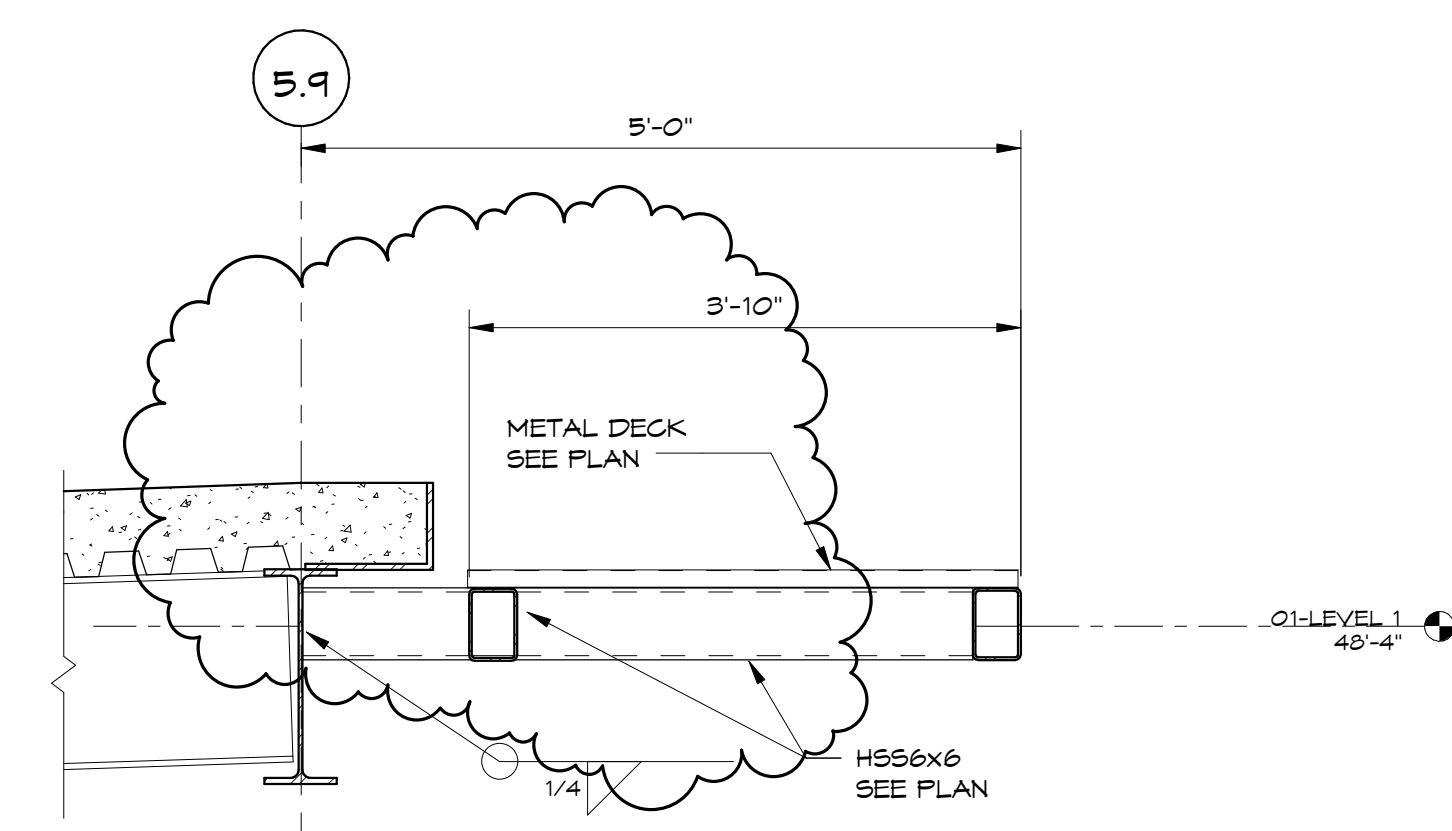
NOTE:
FOR COLUMN & PIER
INFO NOT SHOWN,
SEE DWG. S100

- FLOOR FRAMING NOTES:**
- FOR TYPICAL DETAILS AND GENERAL NOTES SEE DRAWING S201 THRU S205.
 - TOP OF STEEL SHALL BE AT EL. XX'-XX" UNLESS NOTED OTHERWISE.
 - (± 0") INDICATES DEVIATION FROM TOP OF STEEL ELEVATION.
 - "C..." INDICATES COLUMN MARK. FOR COLUMN AND BASE PLATE SIZES SEE COLUMN SCHEDULE DRAWING S301.
 - "(X)" INDICATES THE NUMBER OF EQUALLY SPACED 3/4" DIA. x 4" LONG HEADED SHEAR STUDS.
 - "(X,X,X)" INDICATES THE NUMBER OF 3/4" DIA. x 4" LONG HEADED SHEAR STUDS BETWEEN MEMBERS FRAMED PERPENDICULAR TO GIRDER.
 - "EOD" INDICATES EDGE OF POUR STOP AND / OR EDGE OF DECK. DIMENSION FROM COLUMN GRIDLINE OR CL. OF BEAM IF NO COLUMN GRIDLINE.
 - USE CHAIRS SPACED AT 4'-0" O.C. TO SUPPORT #4 BARS TO PROVIDE 1" CLEAR COVER.
 - "4R" INDICATES CONNECTION DESIGN SHEAR (ASD). IF REACTION IS NOT SHOWN, REFER TO SPECIFICATIONS & GENERAL NOTES.
 - "C..." INDICATES AMOUNT OF CAMBER.
 -
 - INDICATES GRAVITY MOMENT CONNECTION. FOR DETAILS SEE DRAWING S203.
 - "BRACE X" INDICATES A BRACED FRAME. SEE DRAWING S302 FOR BRACE ELEVATIONS AND DETAILS.
 - "TOC EL." INDICATES TOP OF CONCRETE SLAB ELEVATION.
 - "TOS EL." INDICATES TOP OF STEEL ELEVATION.
 - "BOS EL." INDICATES BOTTOM OF STEEL ELEVATION.
 - INDICATES SPAN OF METAL DECK.

1 FIRST FLOOR FRAMING PLAN
3/16" = 1'-0"



2 SECTION
3/4" = 1'-0"



4 SECTION
3/4" = 1'-0"

| | | | |
|---------------------------------|----------------------------|--|-----------------------------------|
| Prepared For: | | NewHeight Group 118 Congress Street, Unit 401 Portland, Maine | |
| Consulting Engineer: | | VEITAS VEITAS engineers 68 Granite Street, Suite 1014 Business, Scarborough, ME 04114 Tel: (708) 266-7400 Fax: (708) 266-2605 | |
| Architect: | | ARCHETYPE architects 48 Union Wharf Portland, Maine 04101 (207) 775-6022 ARCHETYPE@ARCHETYPEPA.COM | |
| Project: | | LUMINATO Newbury Street Portland, Maine | |
| Revisions: | 05/16/16 FOUNDATION PERMIT | 06/07/16 80% REVIEW DRAWINGS | 06/24/16 100% STRUCTURAL DRAWINGS |
| Date: | 04/19/16 | Scale: | As indicated |
| FIRST FLOOR FRAMING PLAN | | | |
| S101 | | | |