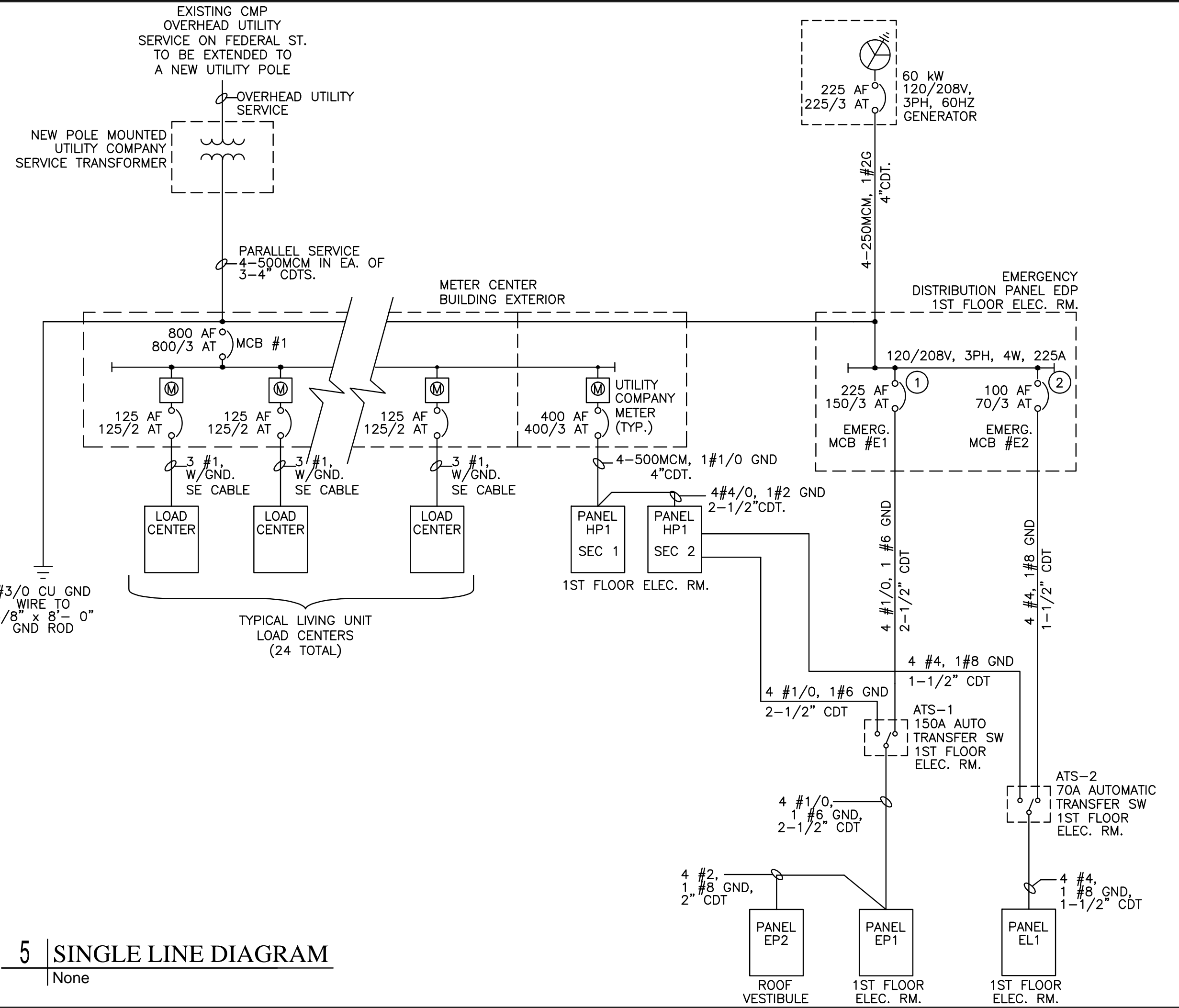


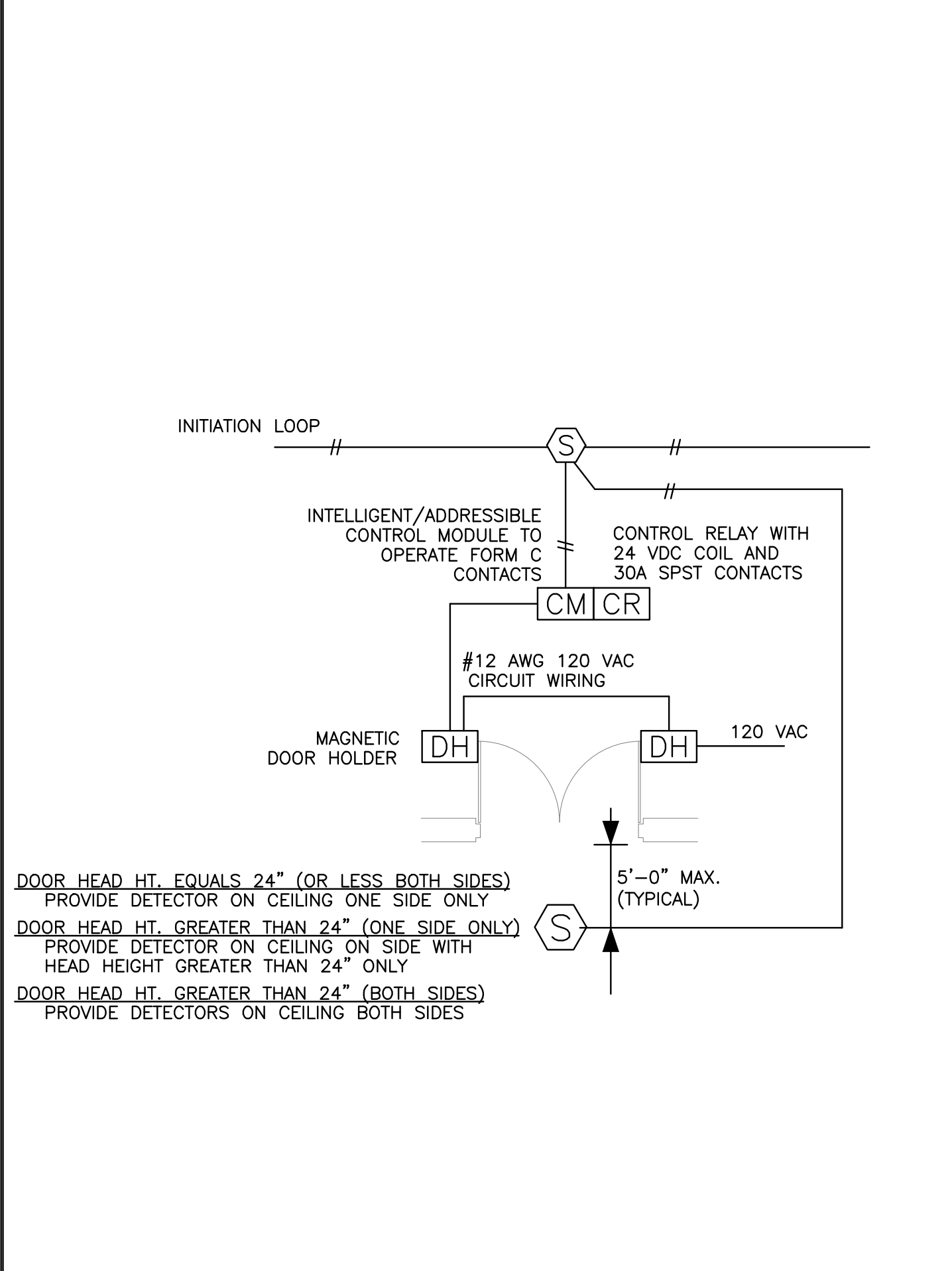
4 SERVICE METER CENTER

None



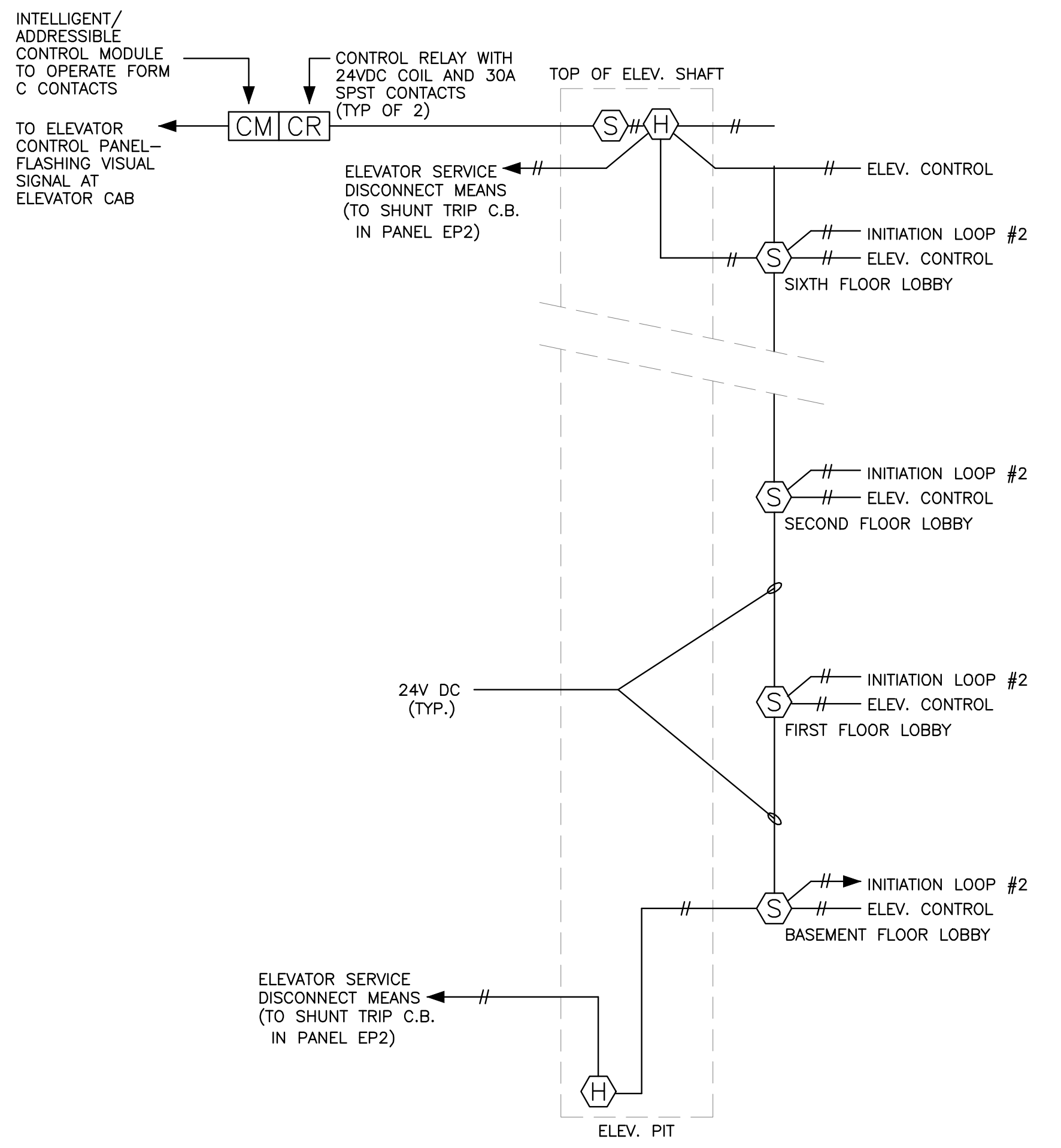
5 SINGLE LINE DIAGRAM

None



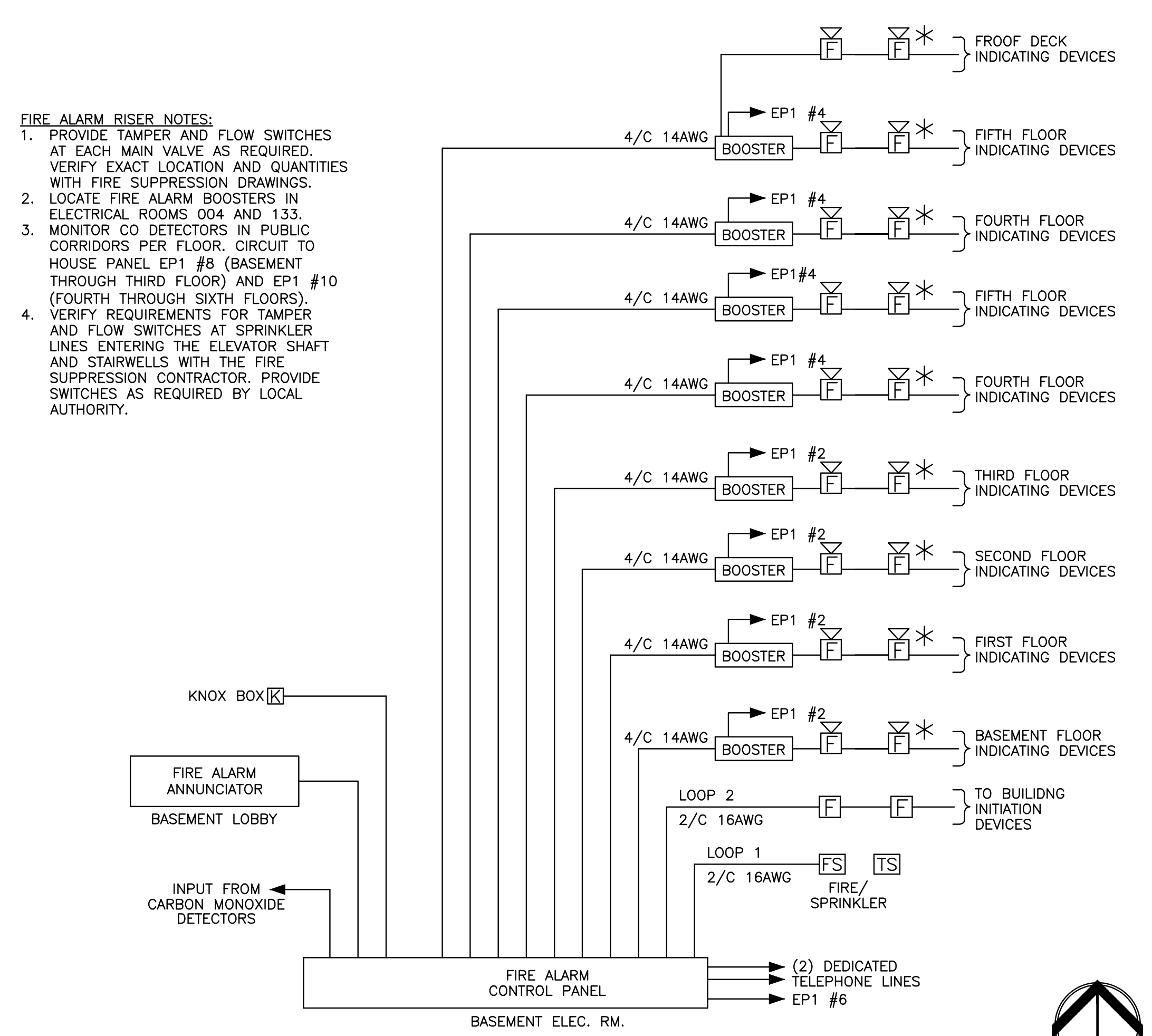
1 FIRE ALARM DOOR HOLDER INTERFACE DIAGRAM

None



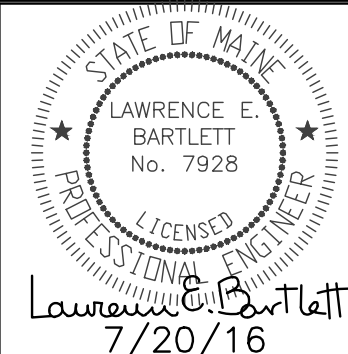
2 FIRE ALARM ELEVATOR RECALL INTERFACE DIAGRAM

None



3 FIRE ALARM RISER DIAGRAM

None



Prepared For:  
**NewHeight Group**

Consultant:  
**Bartlett Design**  
ELECTRICAL ENGINEERING  
448 UNION WHARF PORTLAND, MAINE 04101  
TEL: (207) 448-5447 FAX: (207) 448-5447

Architect:  
**ARCHITECTS**  
architects  
48 Union Wharf Portland, Maine 04101  
(207) 772-6022 Fax (207) 772-4056

Project:  
**LUMINATO**  
Newbury Street Portland, Maine

Revisions:  
06/17/16 100% REVIEW SET  
07/22/16 REVISED PLANS

Date:  
JUNE 17 2016  
Scale:  
AS NOTED  
**ELECTRICAL DETAILS & WIRING DIAGRAMS**

**E4.01**

