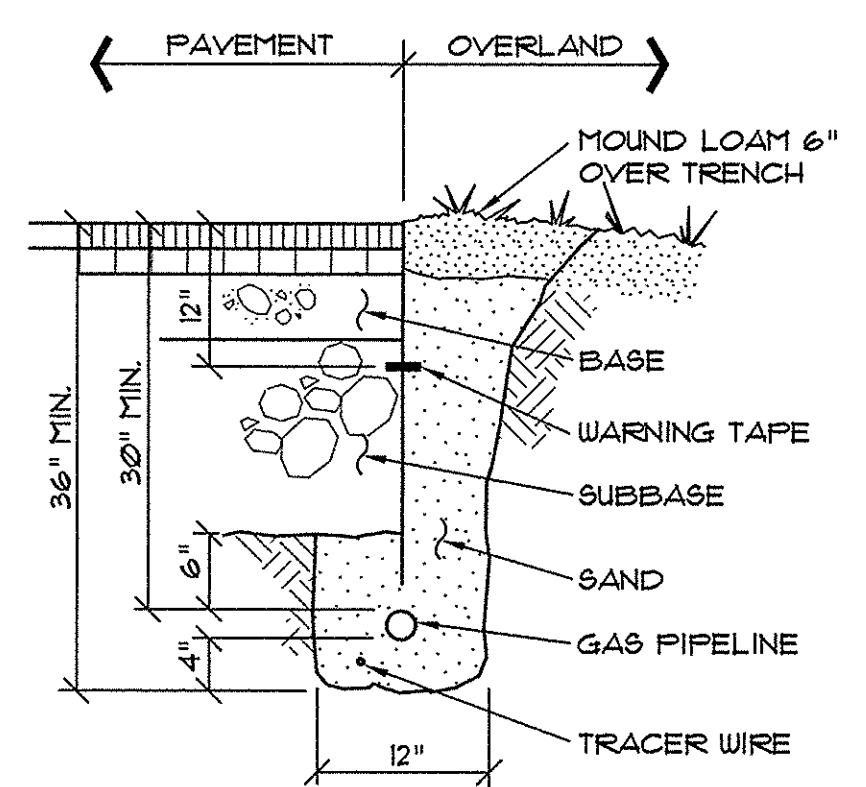
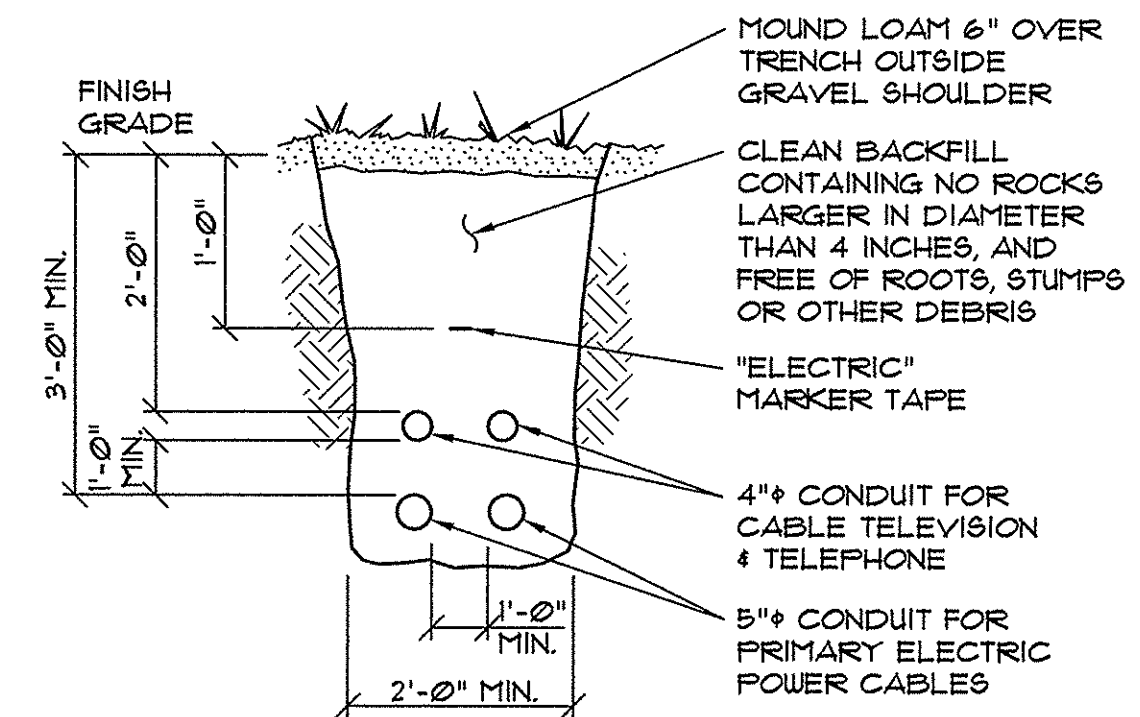


5 CATCHBASIN #1 SECTION (II-2) NOT TO SCALE

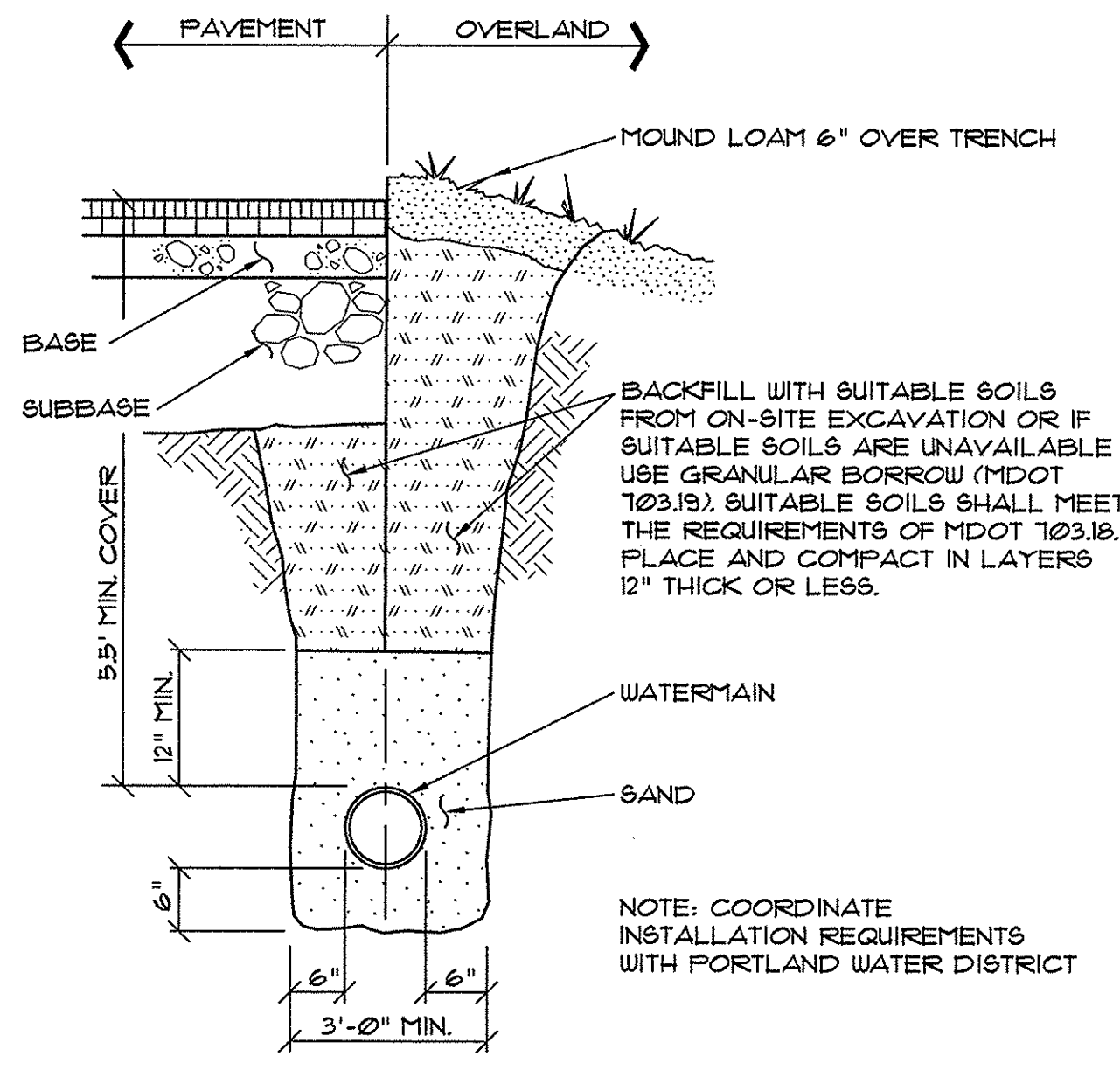
SEE PLUMBING DWGS FOR
OIL/GRIT SEPERATOR



8 GAS PIPING TRENCH SECTION NOT TO SCALE



7 CABLE TRENCH SECTION NOT TO SCALE



6 TYPICAL WATER MAIN SECTION NOT TO SCALE

UNDERGROUND UTILITIES WARNING TAPE

IDENTIFICATION TAPE TO BE INSTALLED ABOVE ALL NEW UNDERGROUND UTILITIES AND ABOVE ANY EXISTING UTILITIES THAT MAY BE EXPOSED BY THIS CONSTRUCTION.

DETECTABLE UNDERGROUND MARKING TAPE TO BE PERMANENT, BRIGHT-COLORED, CONTINUOUS-PRINTED PLASTICIZED ALUMINUM TAPE, INTENDED FOR DIRECT-BURIAL. SERVICE NOT LESS THAN 3" WIDE x 5 MILS THICK. PROVIDE TAPE WITH BLACK PRINTING IDENTIFYING THE UTILITY. DETECTABLE WARNING TAPE REQUIRED OVER ALL WATER, SEWER, DRAINAGE, OR GAS UTILITIES. TAPE TO BE TERRA TAPE BY REEF INDUSTRIES, INC., www.reefindustries.com, OR EQUAL.

- APWA UNIFORM COLOR CODE:
- WHITE PROPOSED EXCAVATION
 - PINK TEMPORARY SURVEY MARKINGS
 - RED ELECTRIC POWER LINES, CABLES, CONDUIT AND LIGHTING CABLES
 - YELLOW GAS, OIL, STEAM, PETROLEUM OR GASEOUS MATERIALS
 - ORANGE COMMUNICATION, ALARM OR SIGNAL LINES, CABLES OR CONDUIT
 - BLUE POTABLE WATER
 - PURPLE RECLAIMED WATER, IRRIGATION AND SLURRY LINES
 - GREEN SEWERS AND DRAIN LINES

1 UNDERGROUND UTILITIES WARNING TAPE

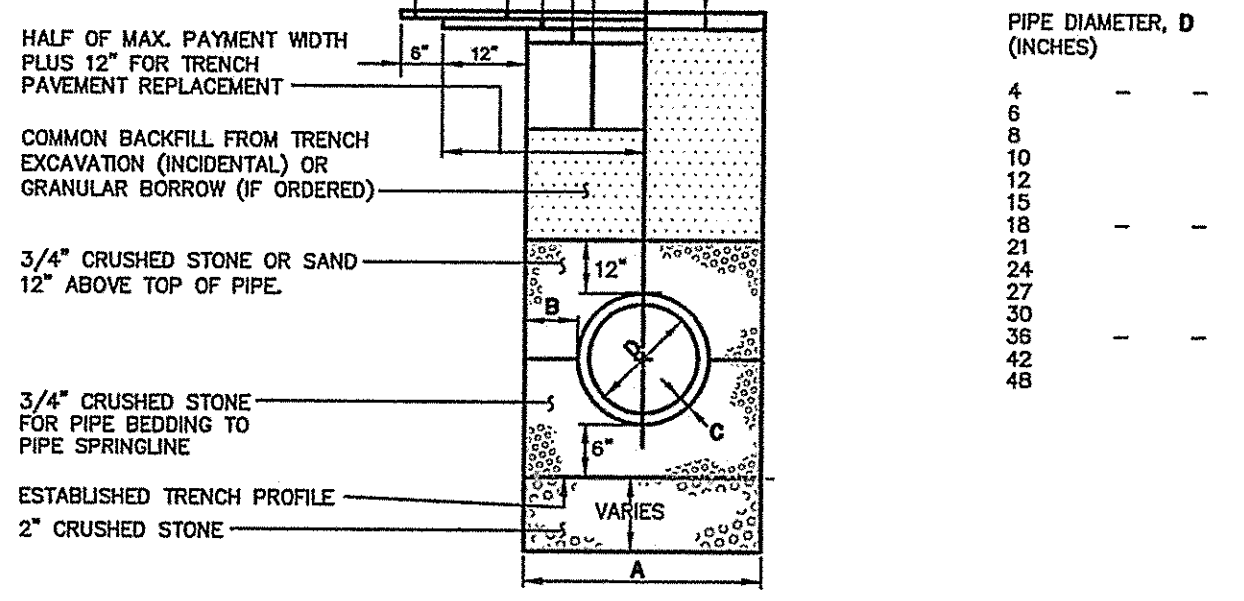
GENERAL NOTES FOR MANHOLES AND CATCH BASINS

1. ALL CONCRETE SHALL HAVE A MINIMUM ULTIMATE COMPRESSIVE STRENGTH OF 4000 LBS. PER SQ. INCH AT THE END OF 28 DAYS, UNLESS OTHERWISE NOTED.
2. MANHOLES MAY BE CONSTRUCTED OF PRECAST REINFORCED CONCRETE, OR CAST IN PLACE.
3. PRECAST REINFORCED CONE BARREL MANUFACTURED PER ASTM SPEC. C-478.
4. ALL STORM AND SEWER MANHOLE COVERS SHALL BE SLOTTED AND SHALL HAVE ONE 7/8" DIAMETER DRILLED PICK HOLE LOCATED 6" FROM THE CENTER OF THE COVER.
5. ALL SANITARY MANHOLE COVERS SHALL HAVE "SEWER" CAST INTO THE COVER. ALL STORMWATER/DRAIN MANHOLE COVERS SHALL HAVE "DRAIN" CAST INTO THE COVER.
6. ALL MANHOLE RISERS SHALL BE ETHERIDGE 24" OR APPROVED EQUAL.
7. SEWER BRICK SHALL CONFORM TO ASTM SPEC. DESIGNATE ON C-32-63, GRADE MA AND SA.
8. ALL SANITARY MANHOLES SHALL HAVE A WATERPROOFING COATING APPLIED TO THE EXTERIOR SURFACE.
9. CATCH BASIN FRAMES FOR TYPE A4 CATCH BASIN CURB INLETS SHALL BE ETHERIDGE DR5A OR APPROVED EQUAL.
10. CASTINGS SHALL CONFORM TO ASTM DESIGNATION A48-CLASS 35.
11. EXISTING MANHOLES, CATCH BASINS, FRAMES, AND COVERS SHALL BE SALVAGED BY THE CONTRACTOR, AND SHALL REMAIN THE PROPERTY OF THE CITY OF PORTLAND.
12. ALL CATCH BASIN OUTLETS SHALL BE INSTALLED WITH A CASCO TRAP. SEE FIGURE II-09.

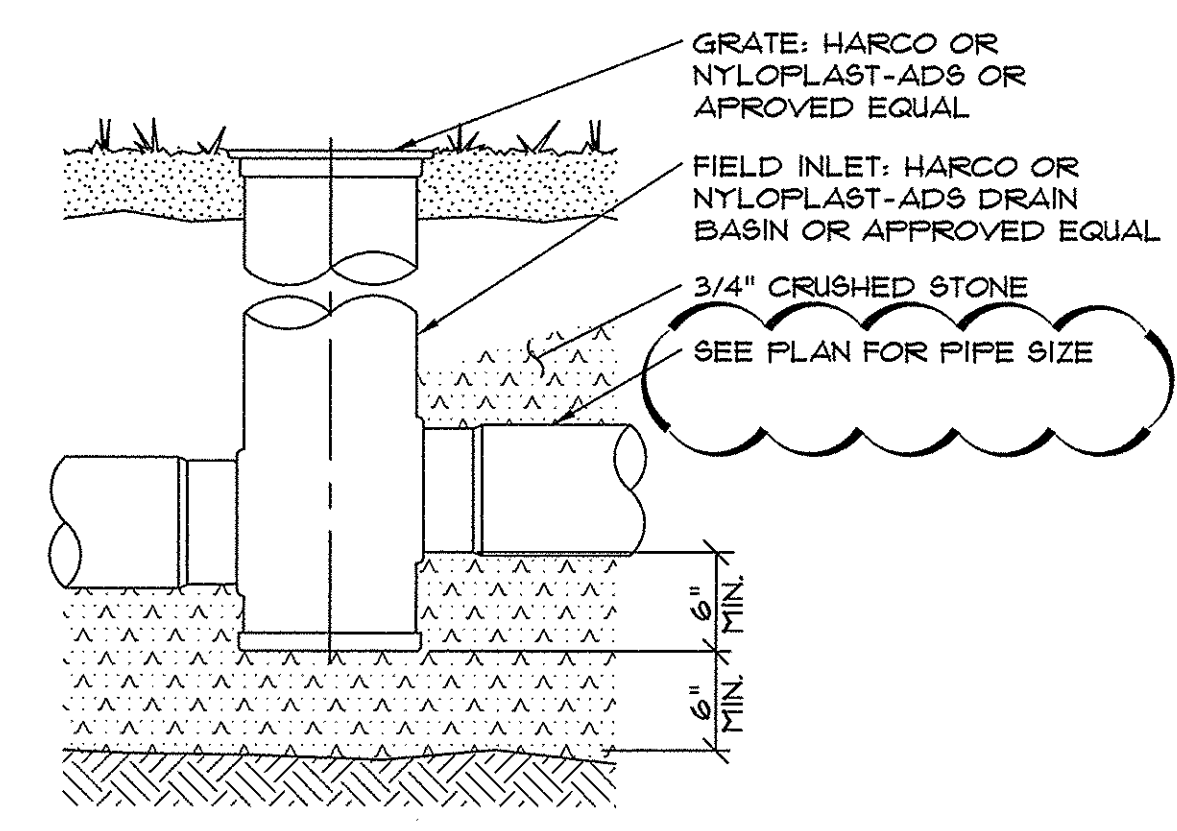
2 GENERAL NOTES FOR MANHOLES AND CATCH BASINS (II-4)

NOTES:
DEPTH OF BITUMINOUS PAVEMENT AND AGGREGATE COURSES SHALL BE DETERMINED BY STREET CLASSIFICATION.
ANY ALTERNATE TRENCHING OR PAYMENT METHODS SHALL BE APPROVED IN ADVANCE BY THE CITY OF PORTLAND, DEPARTMENT OF PUBLIC SERVICES.

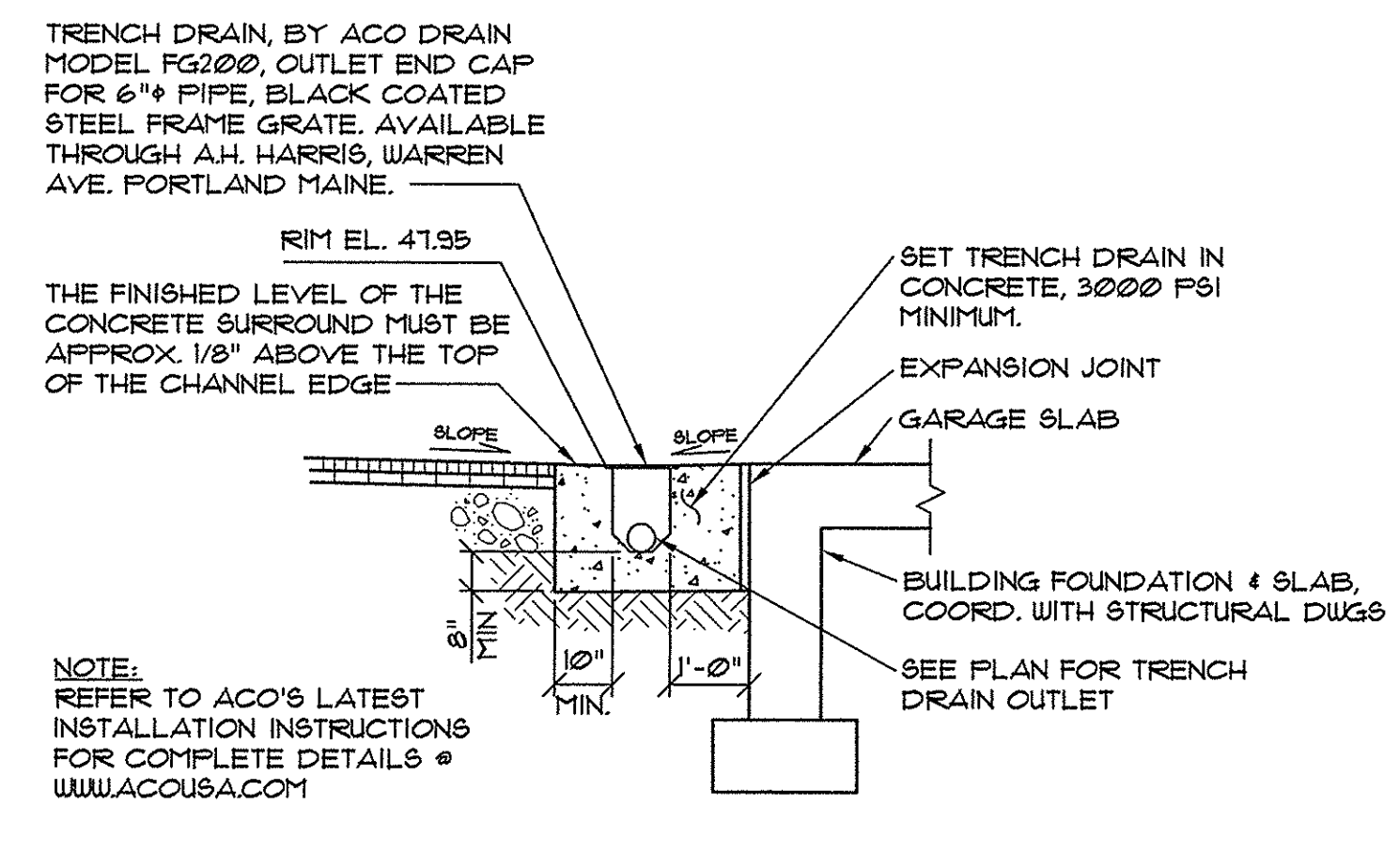
1. ALTERNATIVE CONSTRUCTION METHODS OR PAYMENT METHODS SHALL BE APPROVED IN ADVANCE BY THE CITY.
2. IN PAVED AREAS, DEPTHS OF GRAVEL AND HOT MIX ASPHALT PAVEMENT SHALL MATCH THE GREATER OF EXISTING CONDITIONS OR THE REQUIREMENTS FOR THE CORRESPONDING STREET CLASSIFICATION. DIMENSION B SHALL BE SUFFICIENT TO ALLOW CRUSHED STONE BEDDING TO BE PLACED AND COMPACTED UNDER THE HAUNCHES OF THE PIPE, BUT IN ALL CASES DIMENSION B SHALL BE AT LEAST 9".
3. DIMENSION A IS THE MAXIMUM WIDTH ALLOWED FOR CALCULATING PAY QUANTITIES UNDER GRANULAR BORROW, CRUSHED STONE, STRUCTURAL EARTH EXCAVATION, AND STRUCTURAL ROCK EXCAVATION. DIMENSION A SHALL BE BASED ON PIPE DIAMETER D, AS SET FORTH IN THE FOLLOWING TABLE.



3 TYPICAL PIPE TRENCH INSTALLATION (11-12) NOT TO SCALE

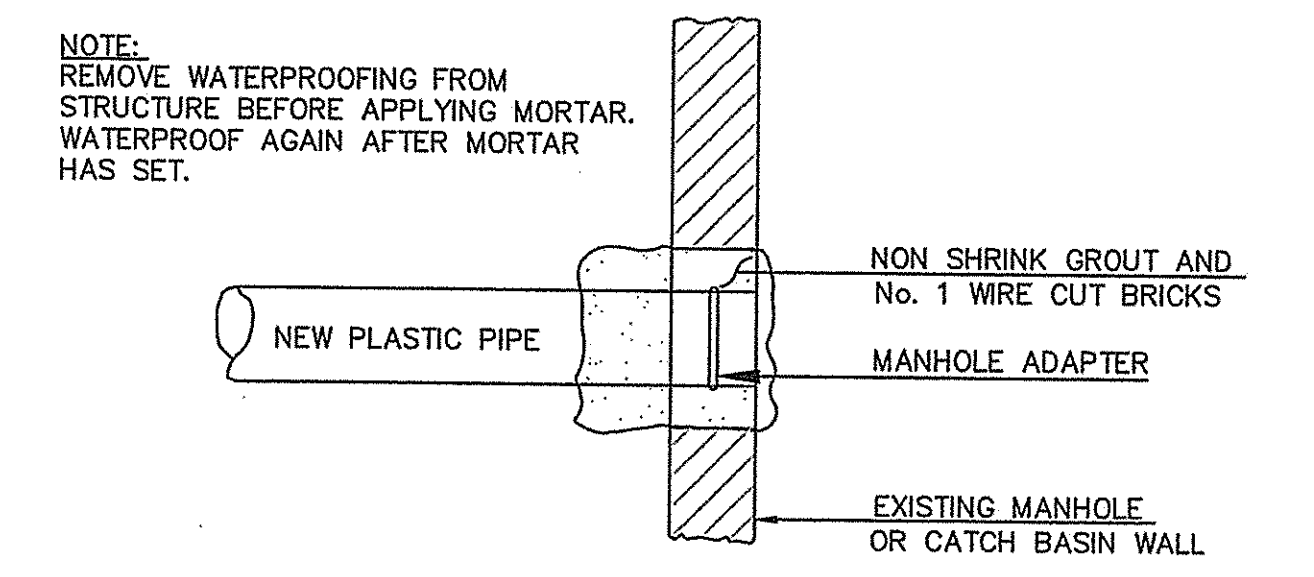


10 FIELD INLET DETAIL NOT TO SCALE



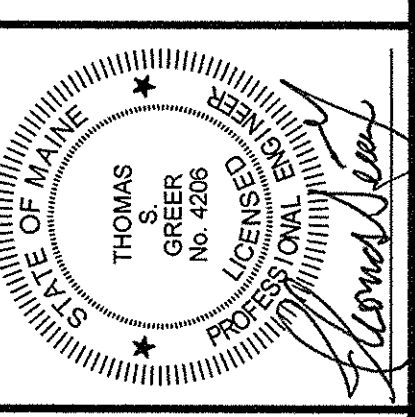
9 TRENCH DRAIN SECTION NOT TO SCALE

NOTE: EXISTING MANHOLE OR CATCH BASIN SHALL BE CORE DRILLED FOR PIPE INSTALLATION. IF PIPE DIAMETER IS SO LARGE THAT CORE DRILLING IS PROHIBITED, THE CONTRACTOR MAY SAW CUT THE STRUCTURE TO CREATE PIPE OPENING. THE NEW OPENING MUST THEN BE SEALED AND WATERTIGHT BOTH INSIDE AND OUTSIDE THE STRUCTURE.



10 PLASTIC PIPE CONNECTION METHODS (II-13 & II-14) NOT TO SCALE

PINKHAM & GREER
CIVIL ENGINEERS
28 WANNAM AVE. PORTLAND, ME. 04103
TEL: 207.761.1642 FAX: 207.761.6240



NO.	DATE	DESCRIPTION
1	3/8/16	REV'D PER STAFF REVIEW COMMENTS
2	3/24/16	REV'D PER STAFF COMMENTS FOR SITE PLAN APPROVAL
3	7/19/16	REV'S PER OWNER REVIEW & RFI #2

LUMINATO CONDOMINIUM, LLC
118 CONGRESS STREET, UNIT 401
PORTLAND, MAINE

SCALE: AS SHOWN
DATE: JANUARY 22, 2016
PROJECT: 15178

DRN BY: JDC
DESG BY: TSG
CHK BY: [Signature]

LUMINATO CONDOMINIUMS
167 NEWBURY STREET, PORTLAND, MAINE

SITE DETAILS