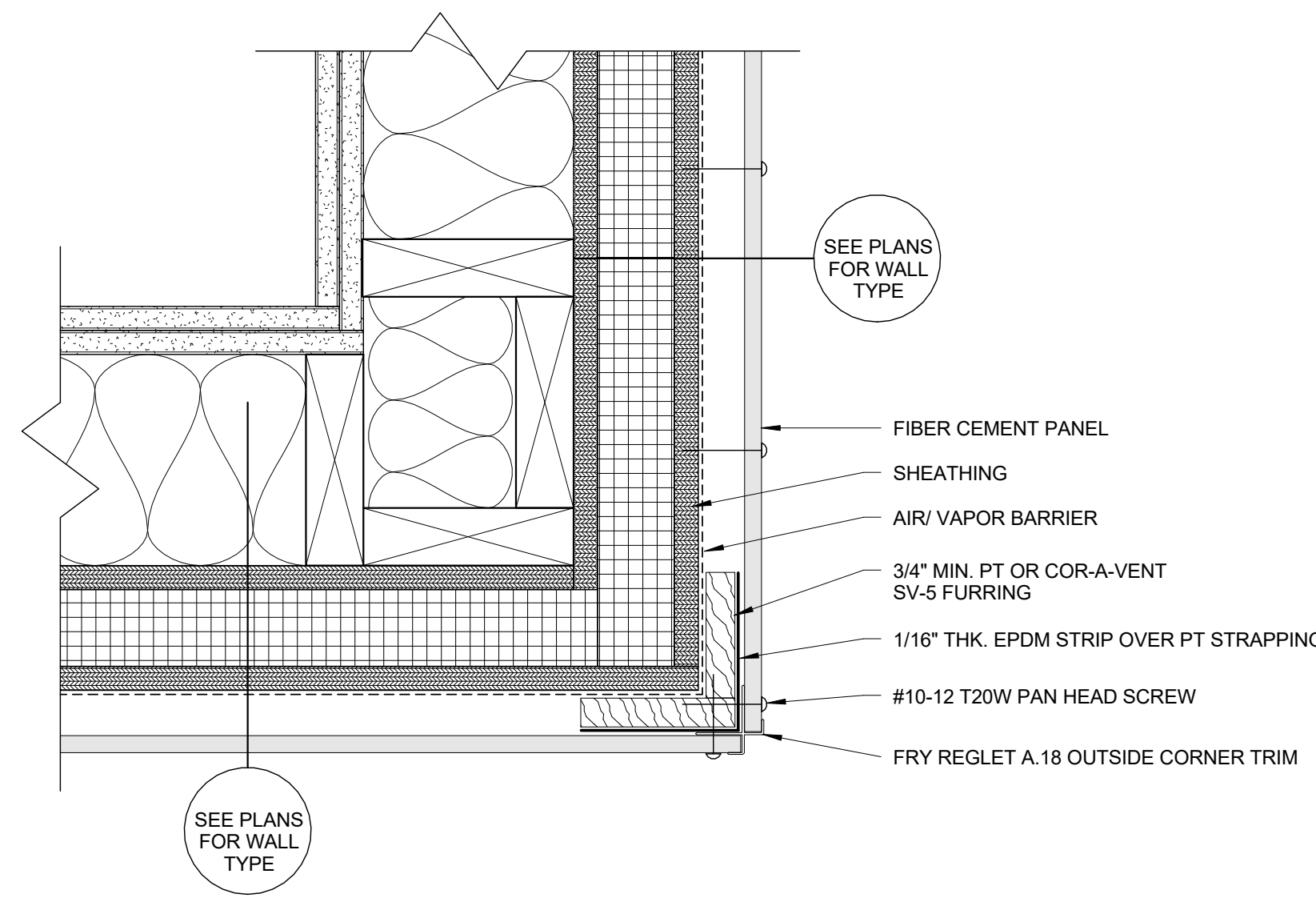


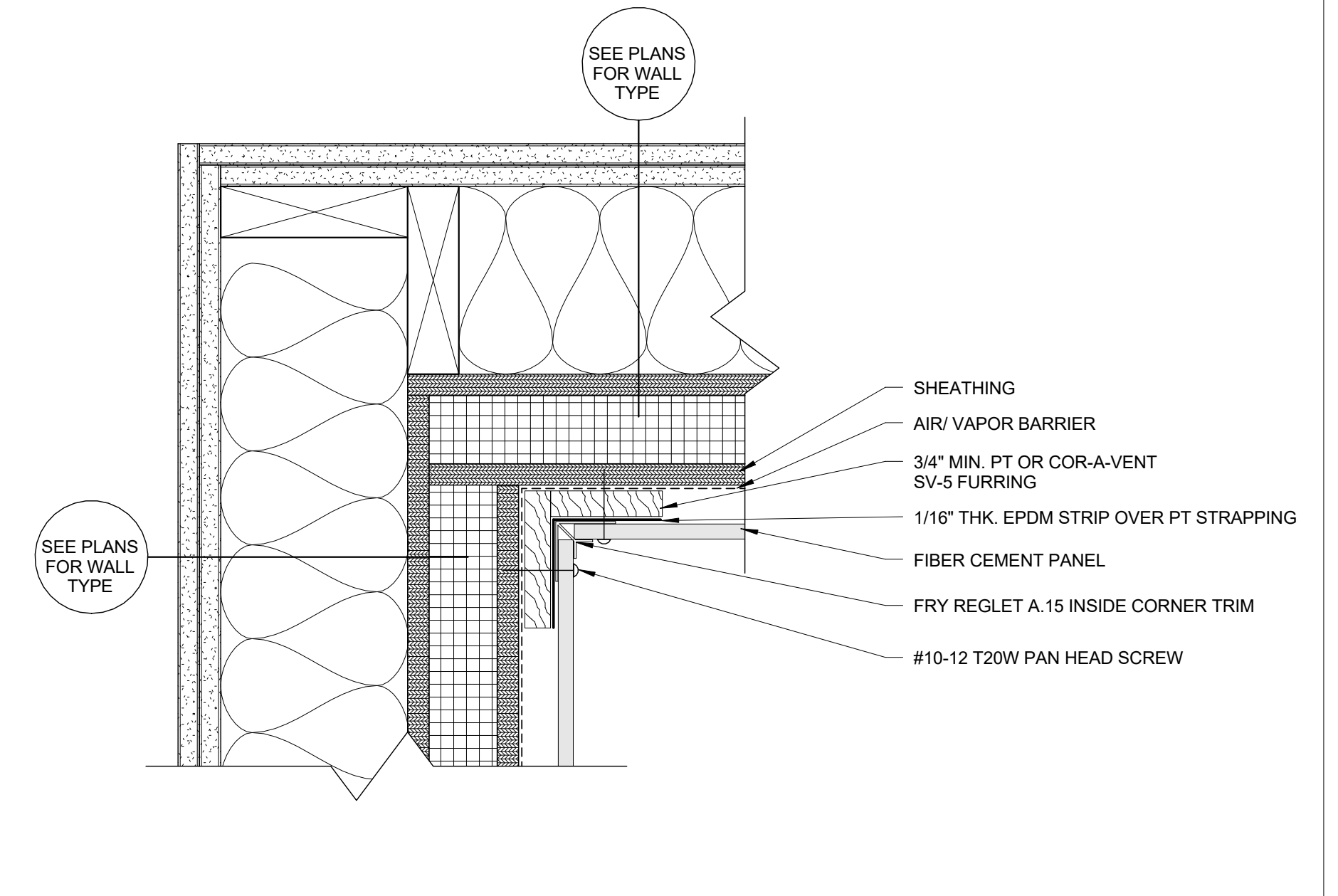
1 | NICHIBA OUTSIDE CORNER

3" = 1'-0" 0'-0" 0'-3" 0'-6" 1'-0"



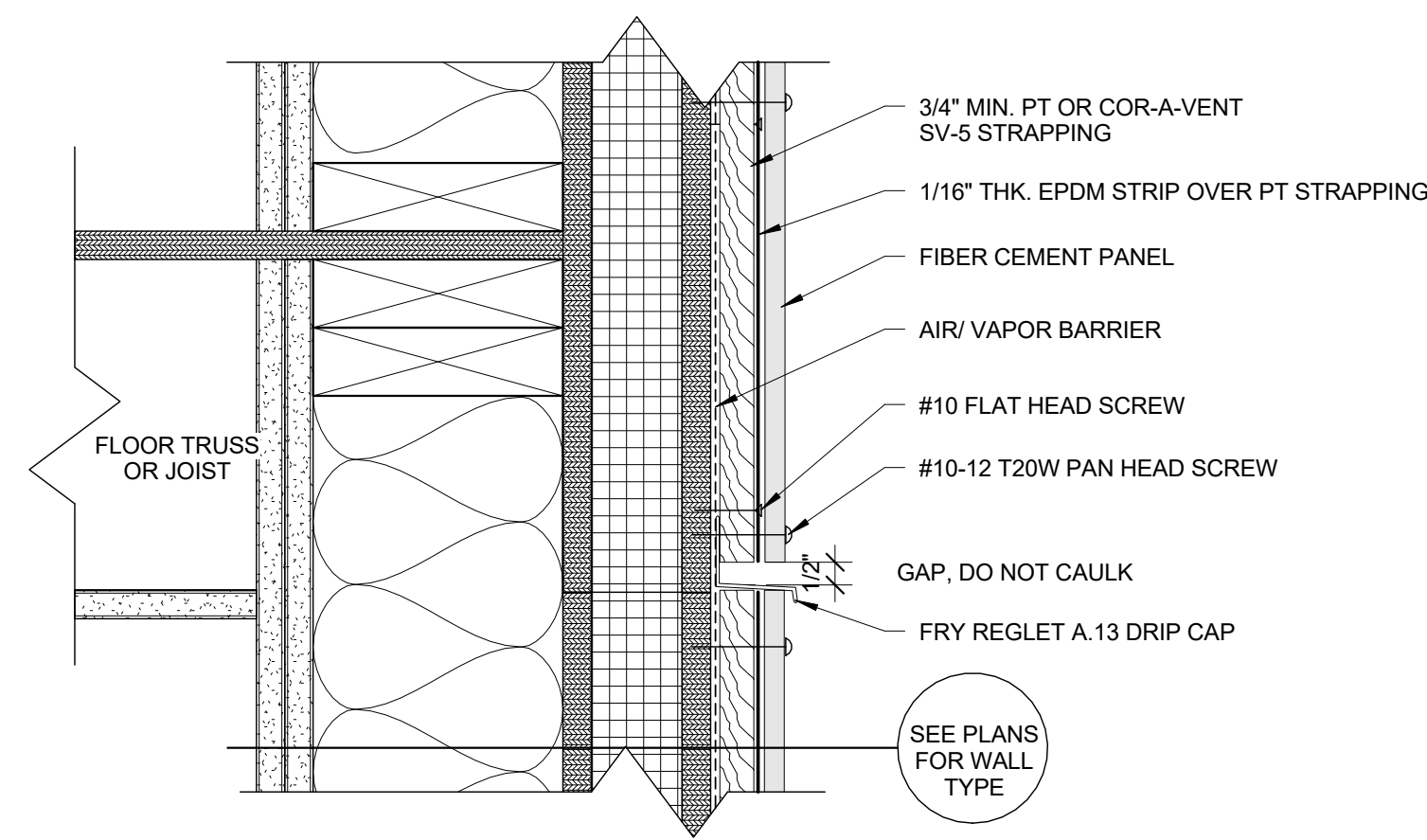
2 | FC OUTSIDE CORNER

3" = 1'-0" 0'-0" 0'-3" 0'-6" 1'-0"



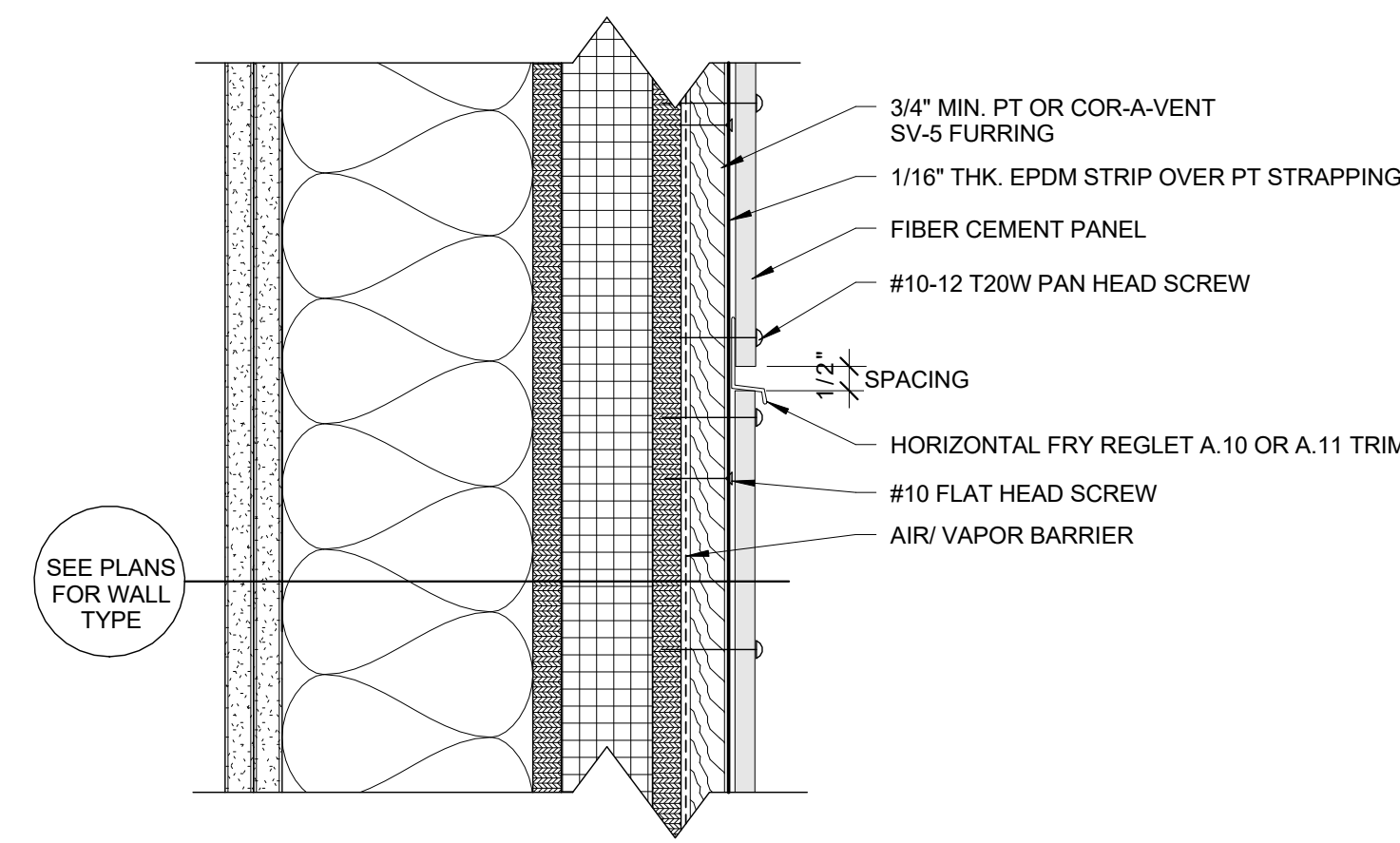
3 | FC INSIDE CORNER

3" = 1'-0" 0'-0" 0'-3" 0'-6" 1'-0"



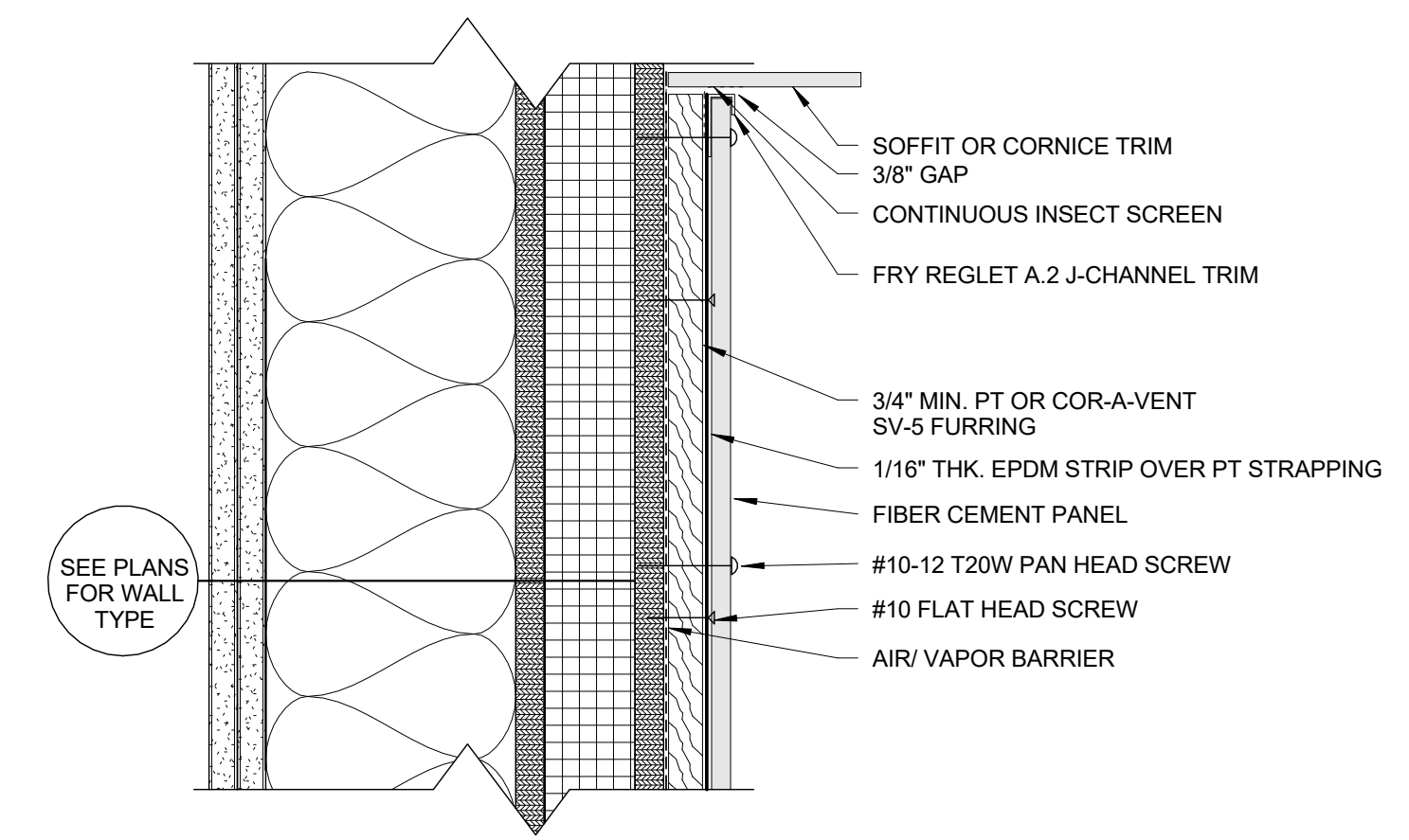
4 | FC W. HOR. TRIM AT FLOOR BREAK

3" = 1'-0" 0'-0" 0'-3" 0'-6" 1'-0"



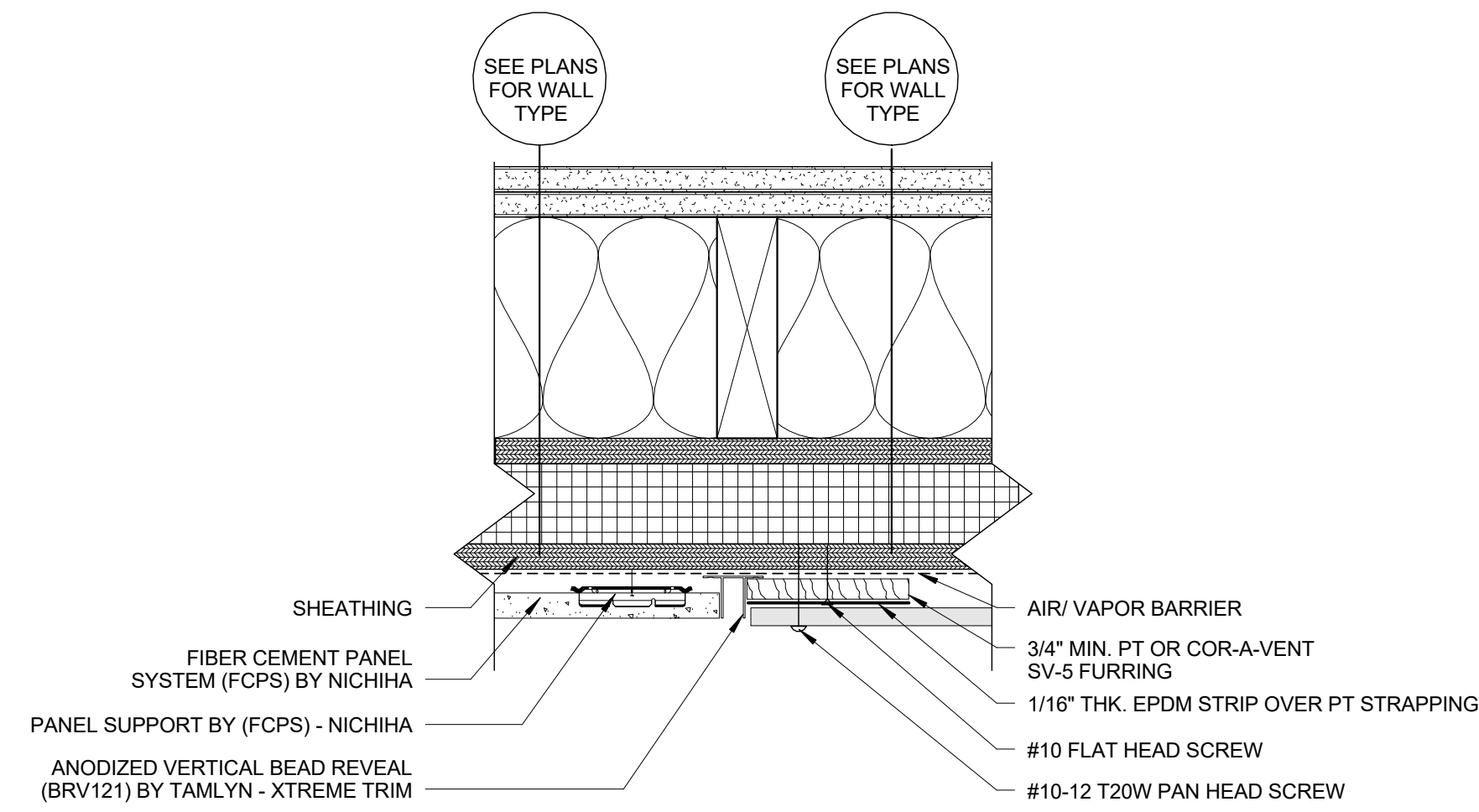
5 | FC W. HOR. TRIM

3" = 1'-0" 0'-0" 0'-3" 0'-6" 1'-0"



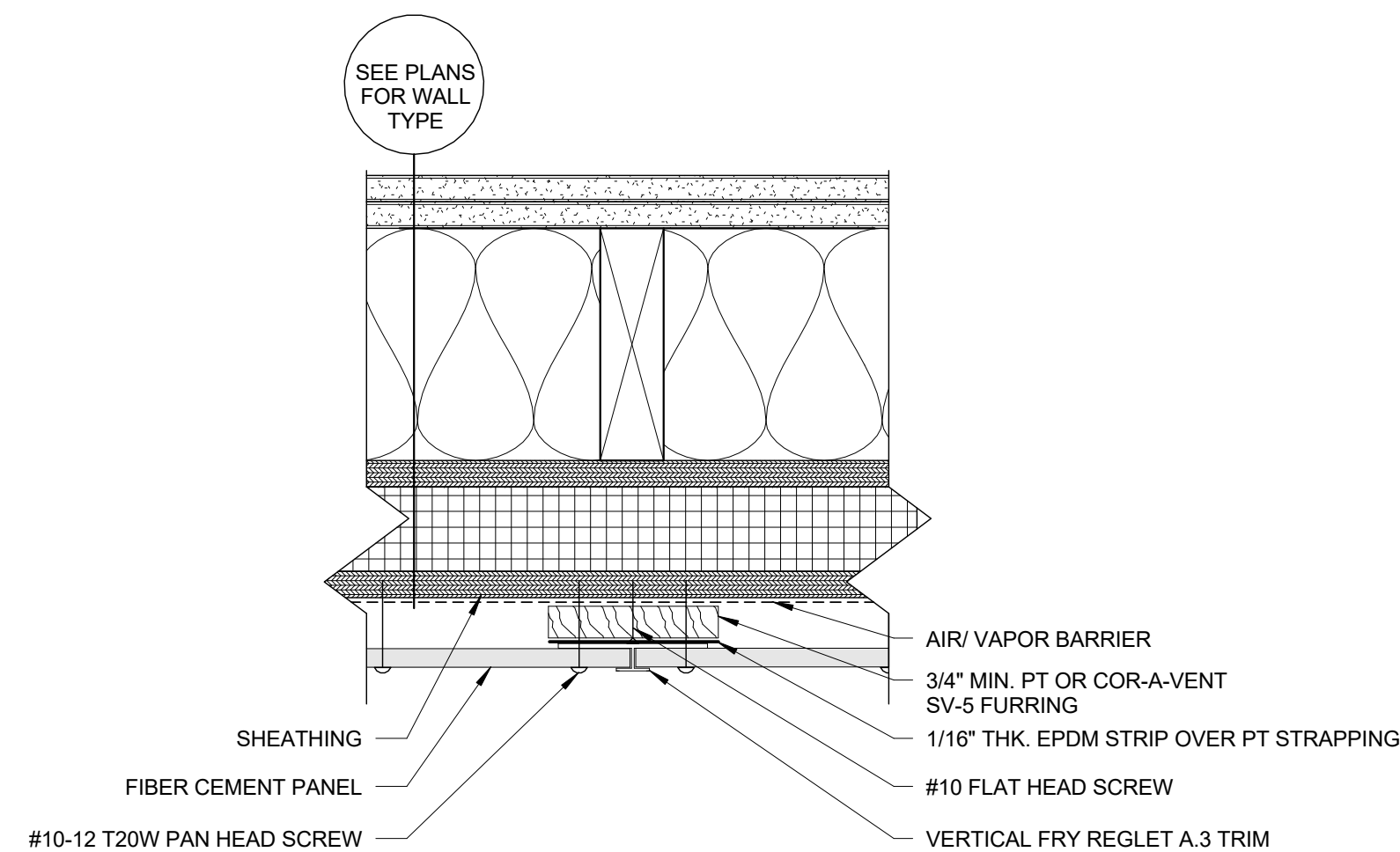
6 | FC DETAIL AT SOFFIT

3" = 1'-0" 0'-0" 0'-3" 0'-6" 1'-0"



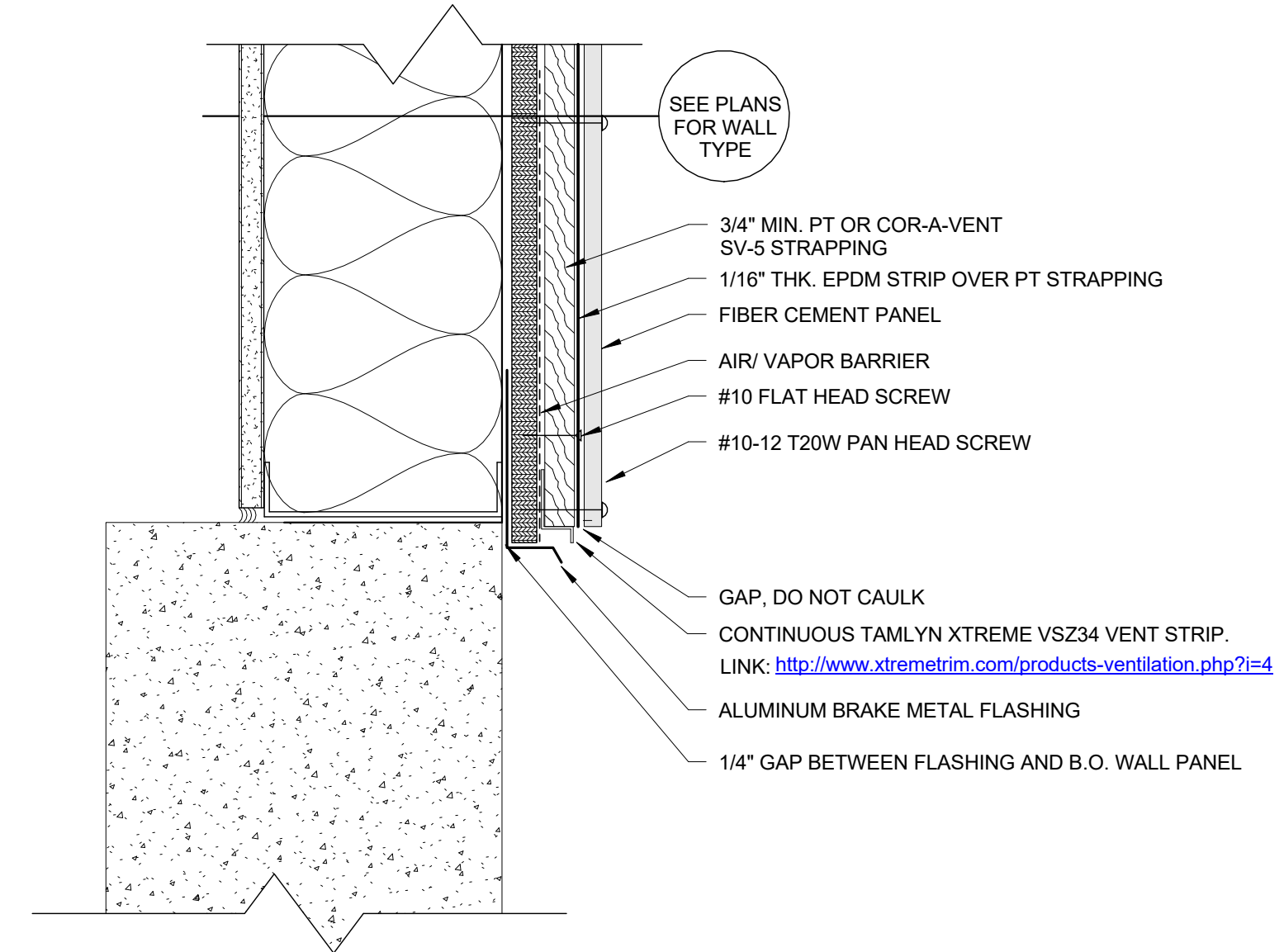
7 | FC TO NICHIBA VERTICAL TRANSITION DETAIL

3" = 1'-0" 0'-0" 0'-3" 0'-6" 1'-0"



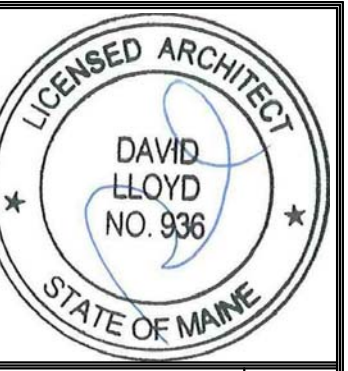
8 | FC VERTICAL TRANSITION DETAIL

3" = 1'-0" 0'-0" 0'-3" 0'-6" 1'-0"



9 | FC BOTTOM OF WALL DETAIL

3" = 1'-0" 0'-0" 0'-3" 0'-6" 1'-0"



Prepared For:  
**NewHeight Group**  
118 Congress Street #401  
PORTLAND, ME 04101

Consultant:  
**ARCHETYPE architects**  
48 Union Wharf Portland, Maine 04101  
(207) 772-0022 ARCHETYPE@ARCHETYPEA.COM

Project:  
**LUMINATO**  
167 Newbury Street Portland, Maine

Revisions:  
Date: JULY 21, 2016  
Scale: 3" = 1'-0"  
**EXTERIOR DETAILS- SIDING**

**A5.03**