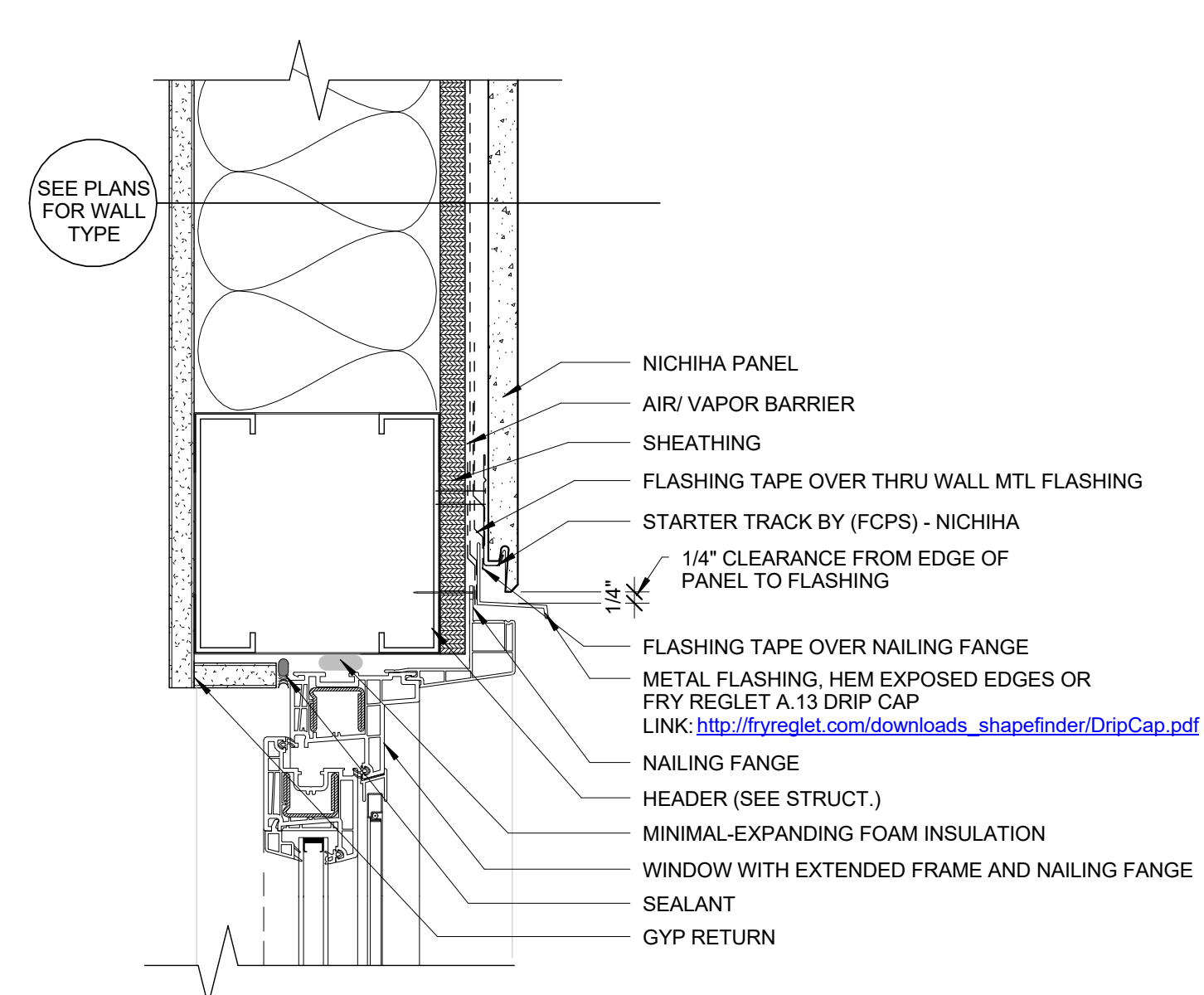
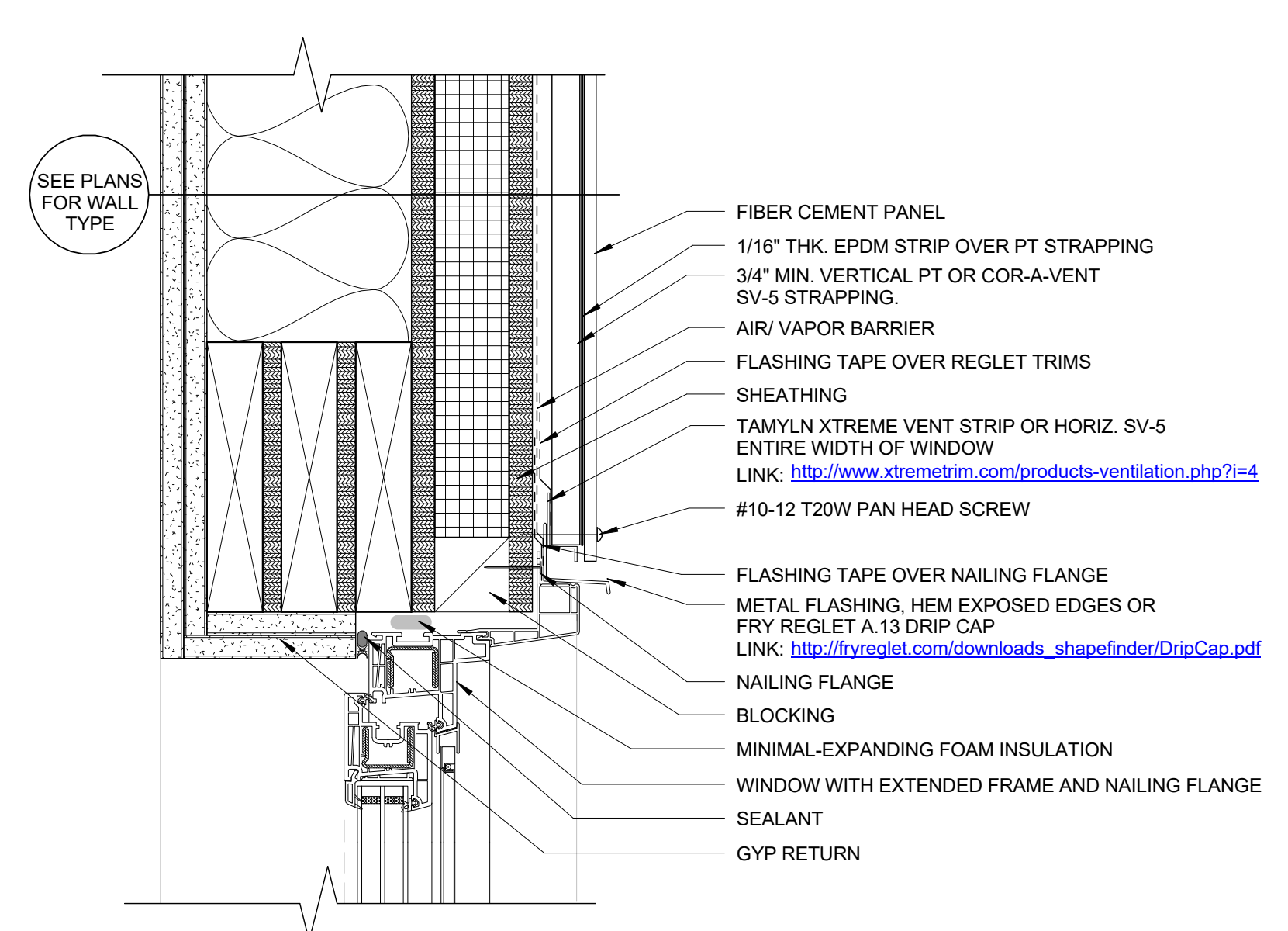


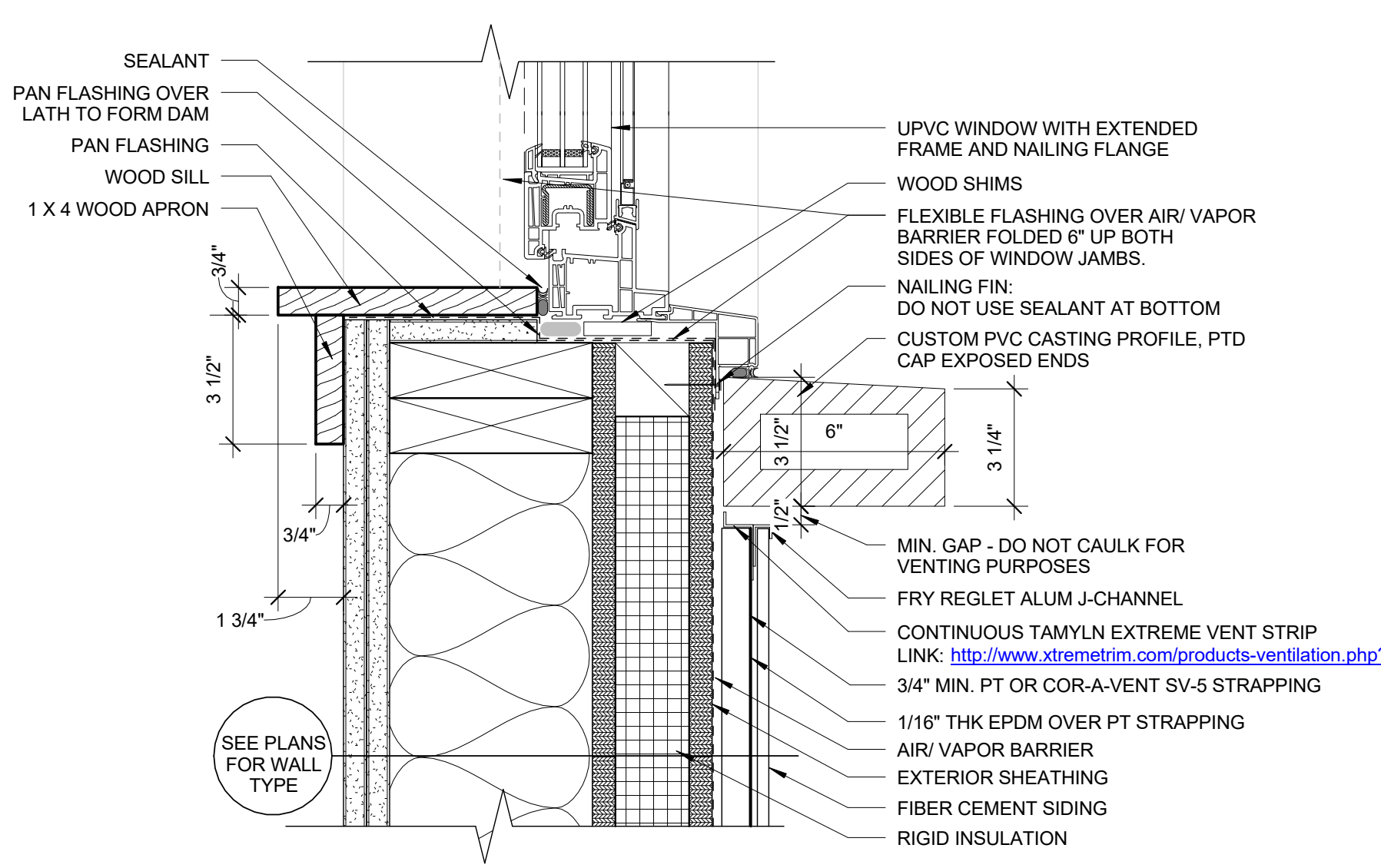
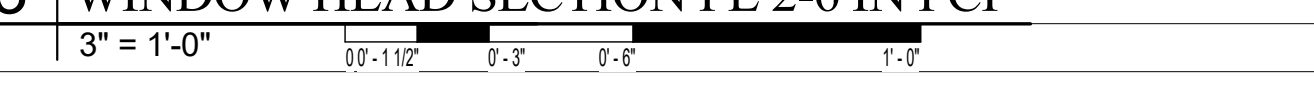
1 | WINDOW HEAD SECTION AT CUSTOM PVC PROFILE



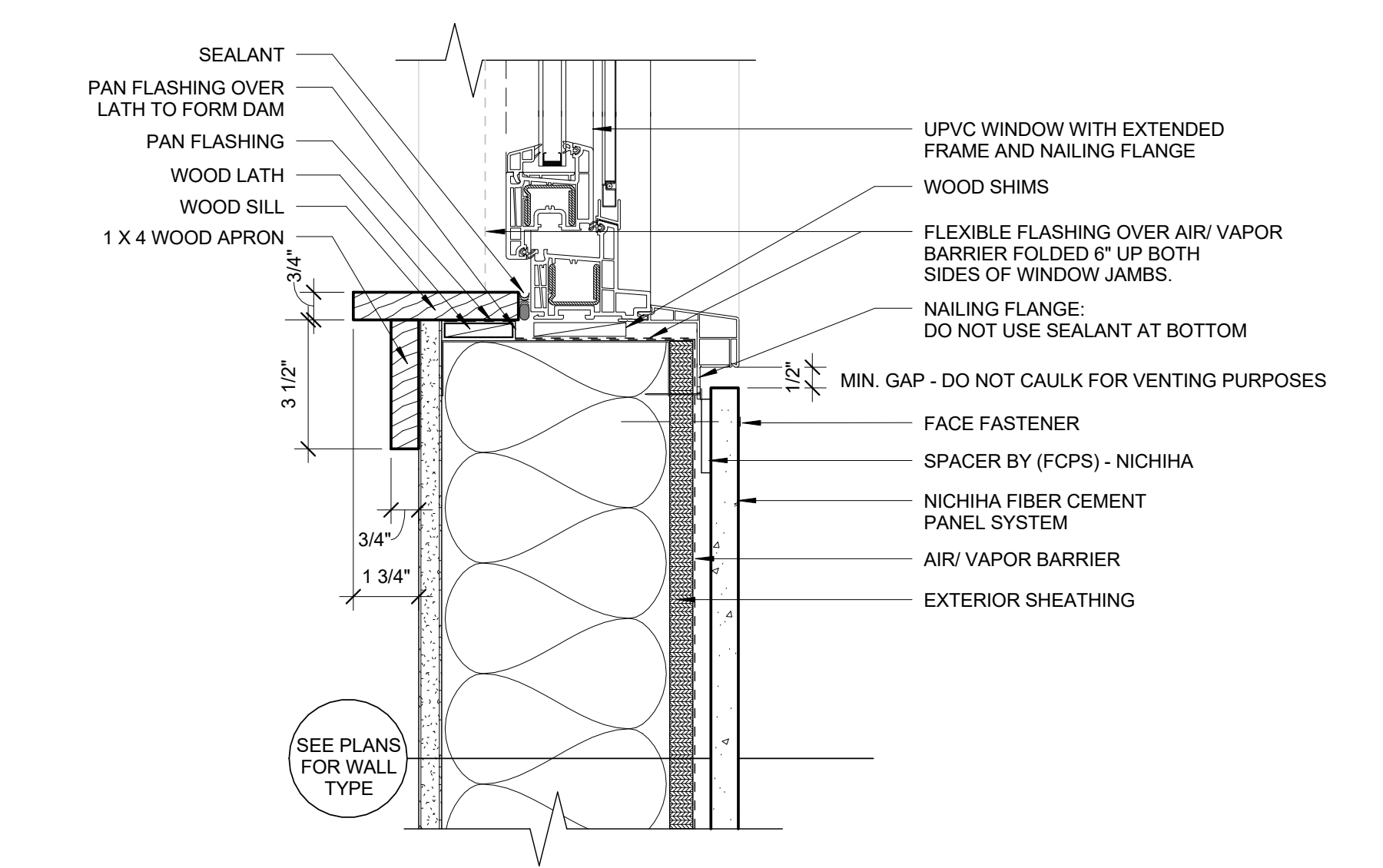
2 | WINDOW HEAD SECTION LOWER LEVELS IN NICHIIHA



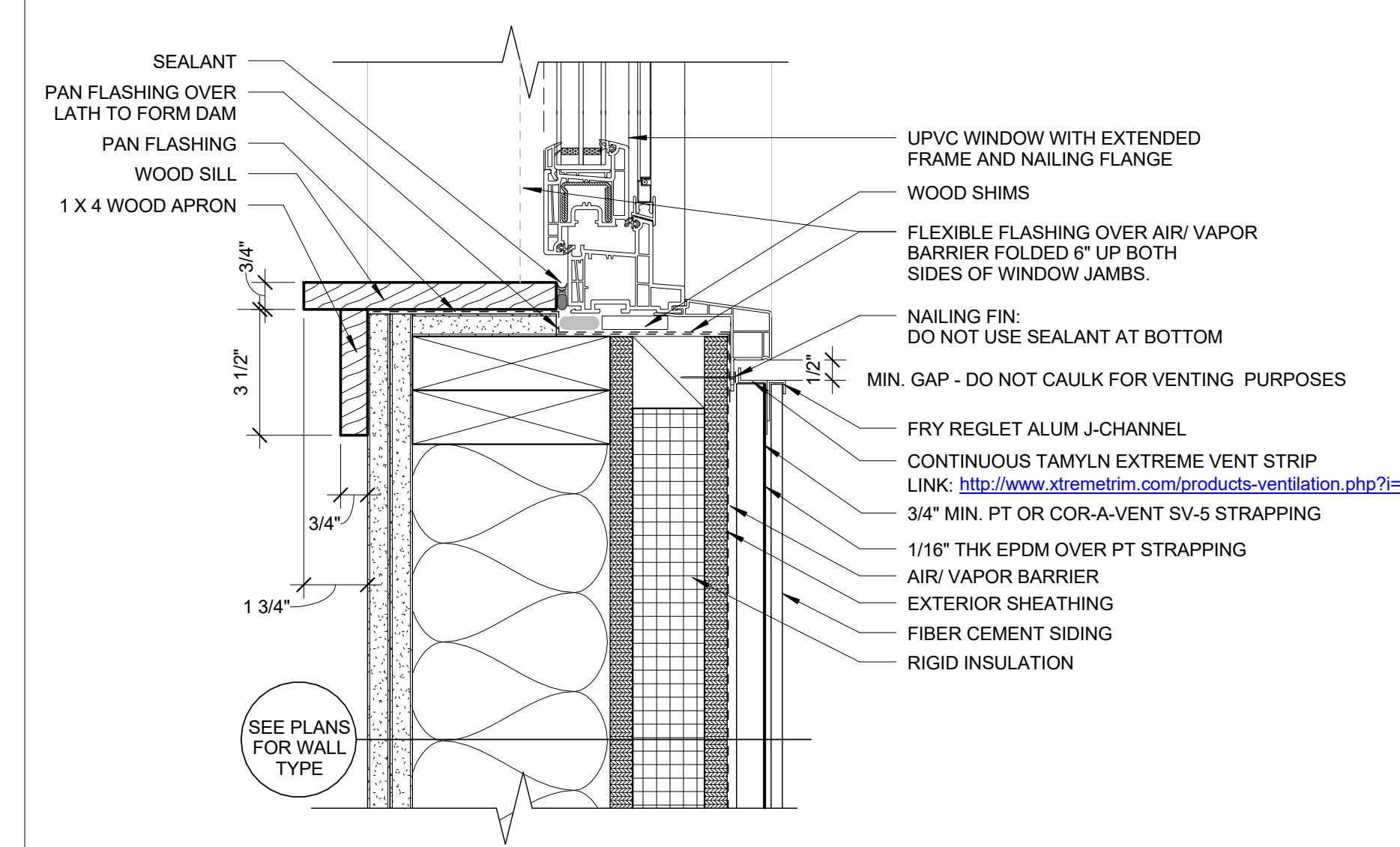
3 | WINDOW HEAD SECTION FL 2-6 IN FCP



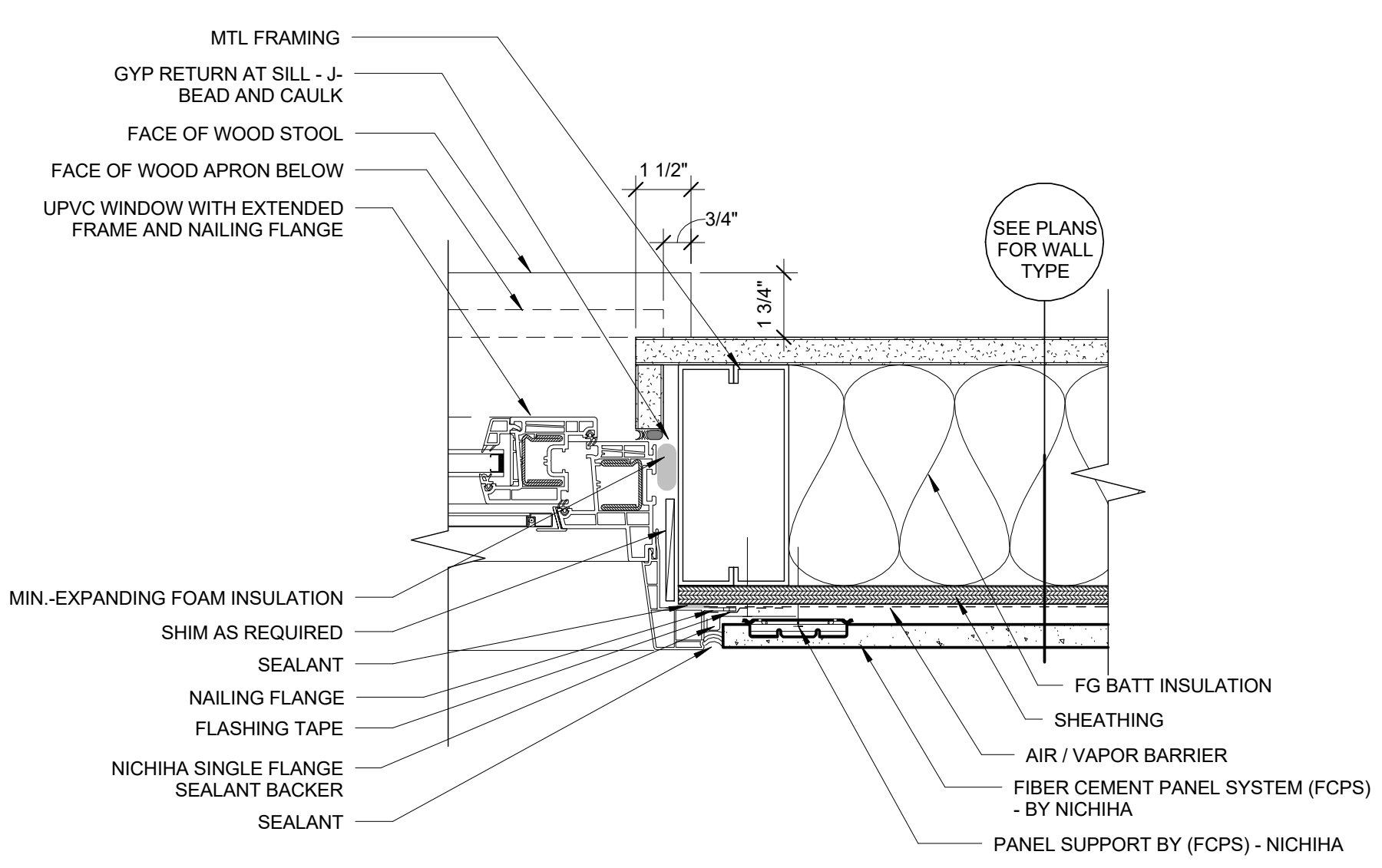
4 | WINDOW SILL DETAIL AT CUSTOM PVC PROFILE



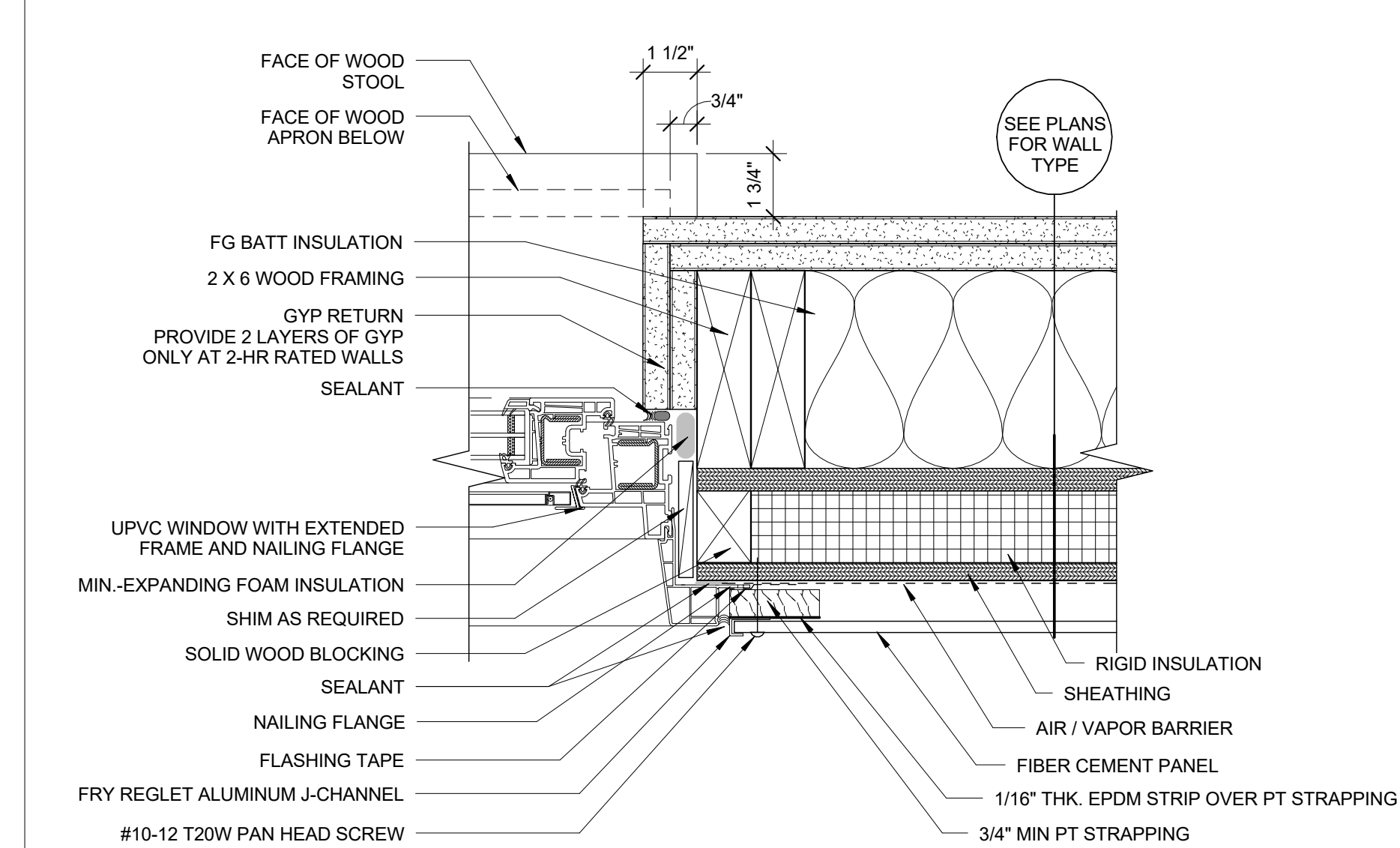
5 | WINDOW SILL SECTION LOWER LEVELS IN NICHIIHA



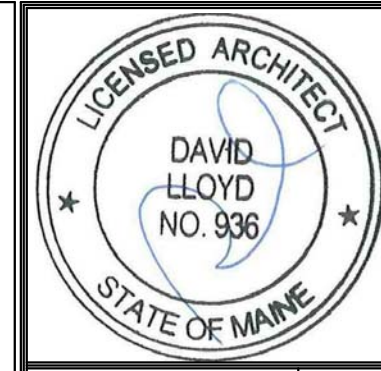
6 | WINDOW SILL SECTION FL 2-6 IN FCP



7 | WINDOW JAMB SECTION LOWER LEVELS IN NICHIIHA



8 | WINDOW JAMB SECTION FL 2-6 IN FCP



Prepared For:
NewHeight Group
118 Congress Street #401
Portland, Maine

Consultant:

Architect:
ARCHETYPE architects
48 Union Wharf Portland, Maine 04101
(207) 772-0022 ARCHETYPE@ARCHETYPEA.COM

Project:
LUMINATO
167 Newbury Street Portland, Maine

Revisions:

Date:
JULY 21, 2016
Scale:
3" = 1'-0"
EXTERIOR DETAILS - WINDOWS

A5.01