

Specification Data

Panasonic Radiation Damper for Ventilation Fan

Panasonic

PC-RD05C3

Radiation Damper

Description

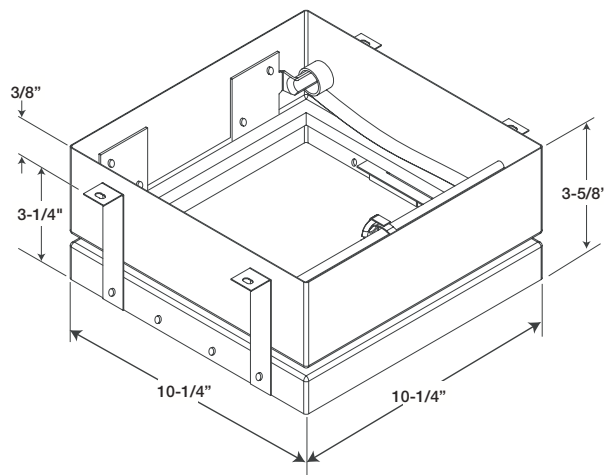
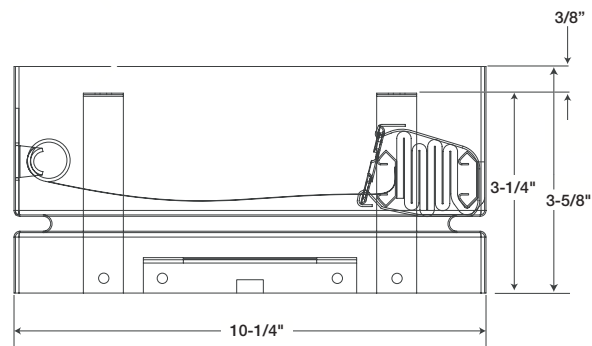
Radiation damper shall be assembled with ENERGY STAR rated mechanical ventilating fans. Damper shall be UL and cUL listed for T-bar ceiling installation and exceed UL 555C for use in 3-hour fire rated floor/ceiling or roof/ceiling assemblies. Radiation shall be Warnock-Hersey certified for use in wood frame floor/ceiling and roof/ceiling assemblies. Damper shall exceed National Fire Protection Agency NFPA-90A.

Features:

- UL listed and exceeds UL 555C for use in a 1, 2, or 3 hour fire-rated floor-ceiling and roof ceiling designs.
- Warnock-Hersey classified for wood frame assemblies.
- Fits Panasonic WhisperCeiling, WhisperGreen and WhisperFit models 50-150 CFM.
- 165 degree Fahrenheit fusible link.
- High-temperature, non-asbestos, reinforced fiber thermal fabric.
- Galvanized steel frame.

UL listed assembly with Panasonic ENERGY STAR models:

- FV-13VK3
- FV-08VK3
- FV-05VK3
- FV-15VQ5
- FV-11VQ5
- FV-08VQ5
- FV-05VQ5
- FV-11VF2
- FV-08VF2
- FV-05VF2
- FV-10VS1
- FV-08VS1
- FV-05VS1



File: #3225-1598:100



File: #WHI-495-PSH-0177,-0178



File: #R16724



For Complete Installation Instructions Visit www.panasonic.com/building

Model	Quantity	Comments	Project:
			Location:
			Architect:
			Engineer:
			Contractor:
			Submitted by:
			Date: