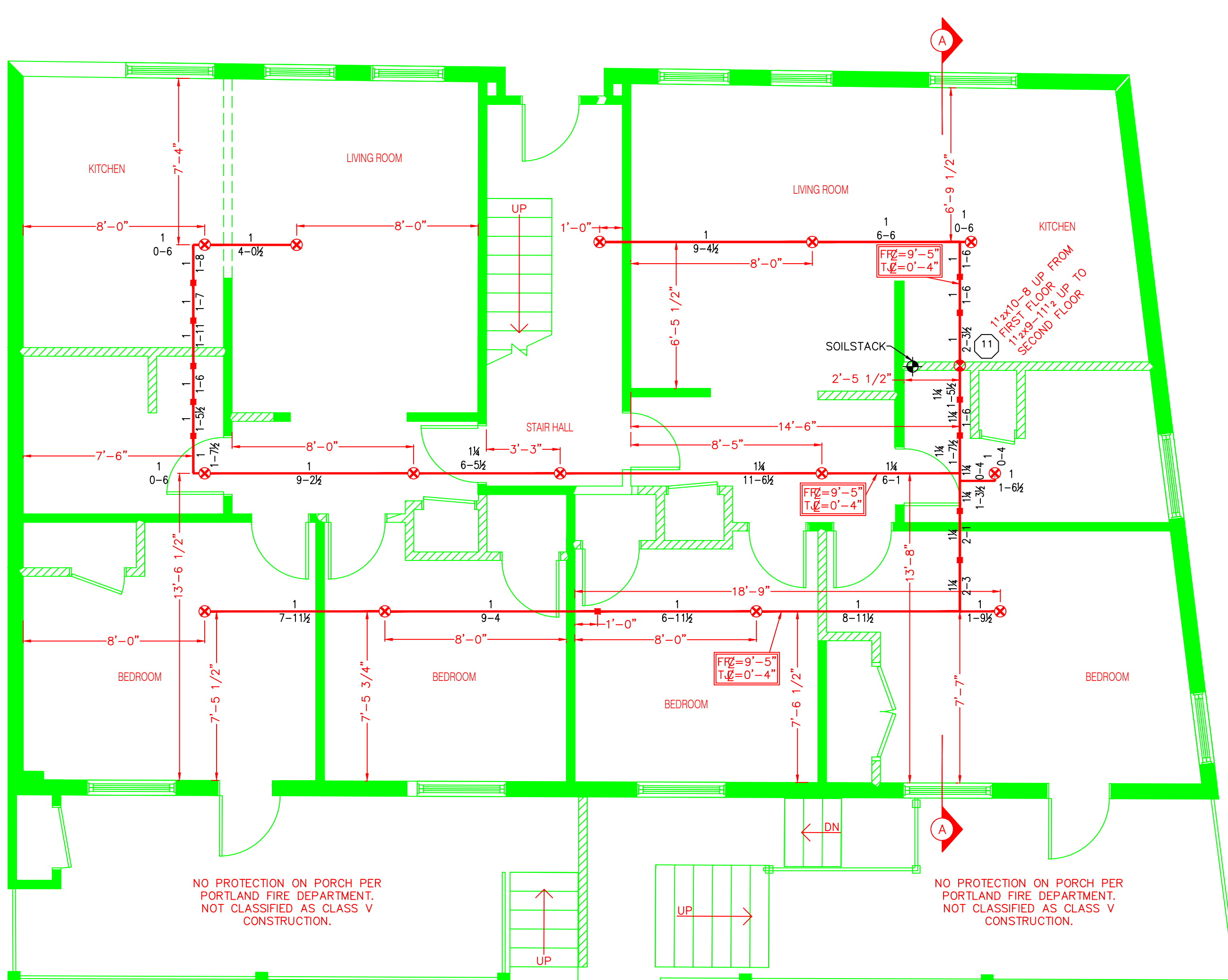
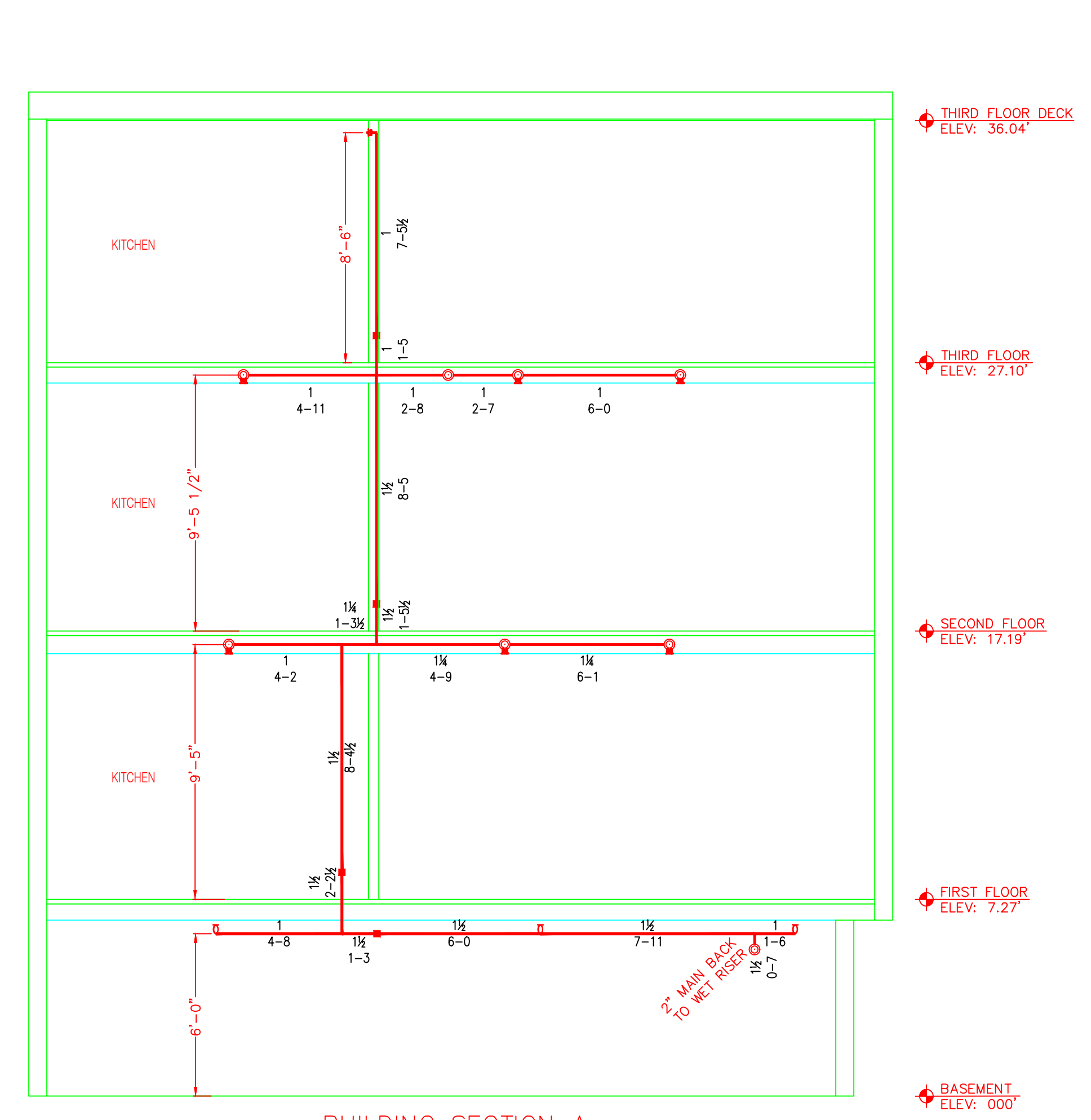


Hydraulic Calculation Data	
Design Area Number:	1
Design Area Location:	Basement
Hazard/Occupancy:	LH
Design Density:	.10
Design Area:	900
Number of Sprinklers in Design Area:	14
System Flow:	340.83
System Pressure:	62.34
Hose Allowance (Included):	100

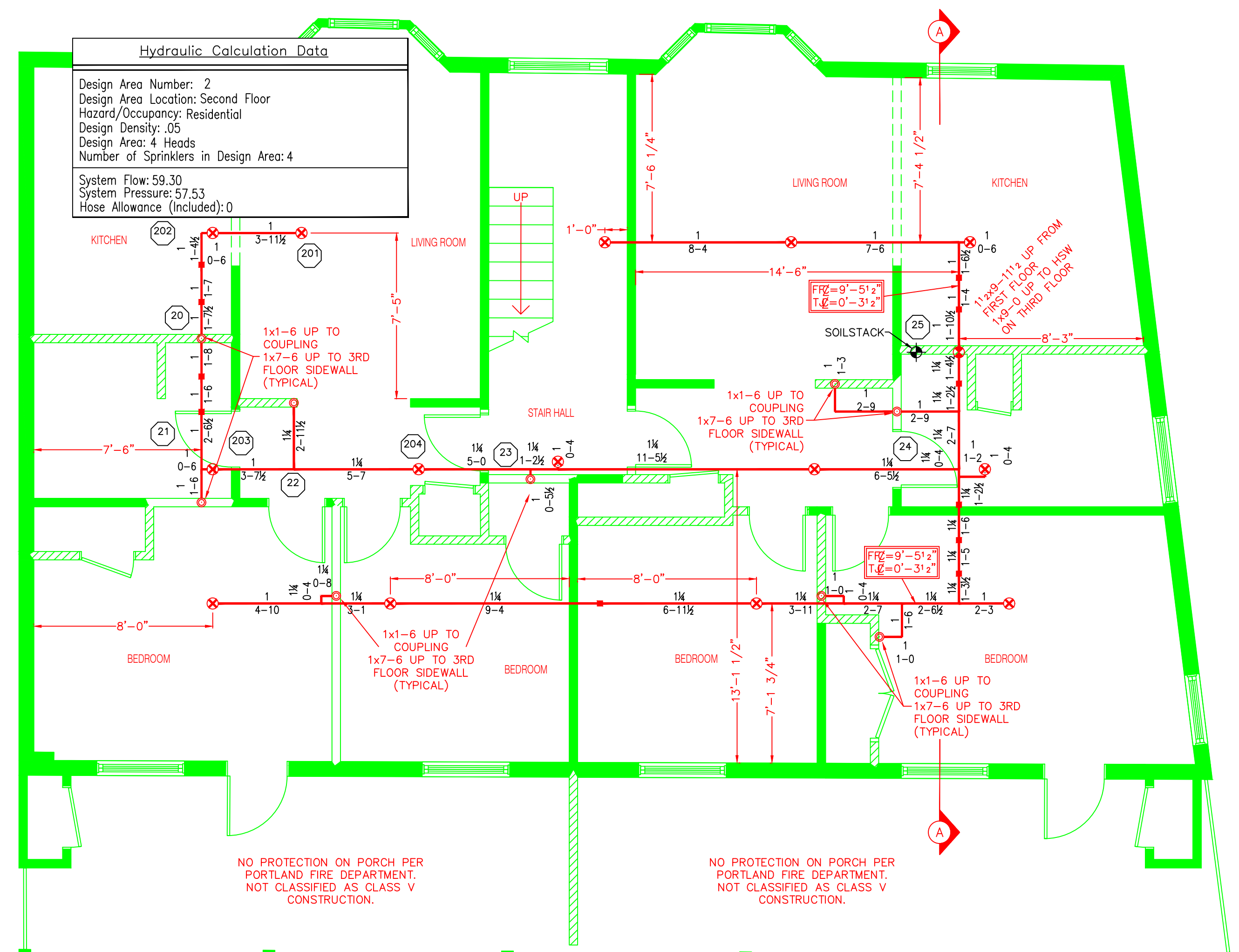
BASEMENT



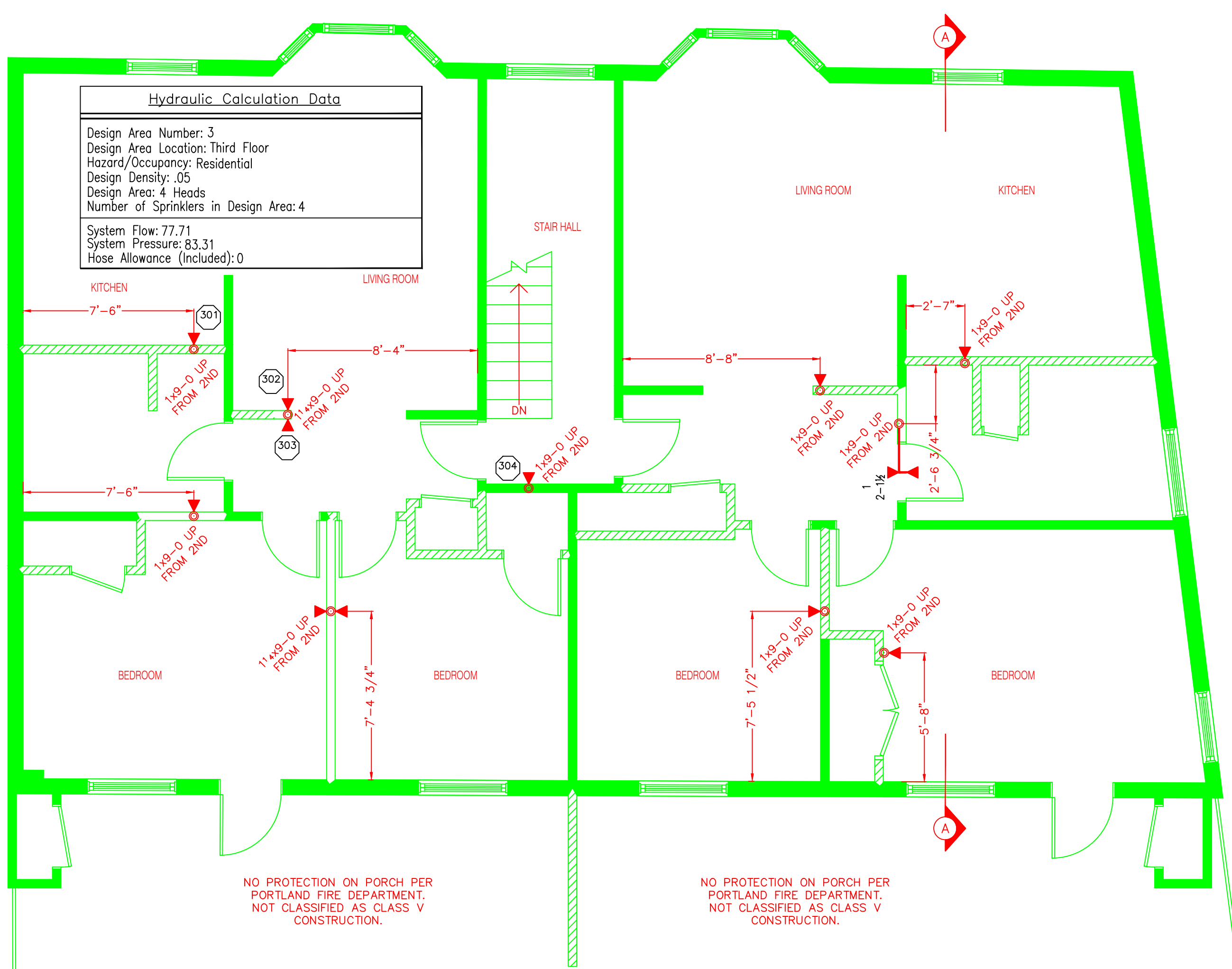
FIRST FLOOR



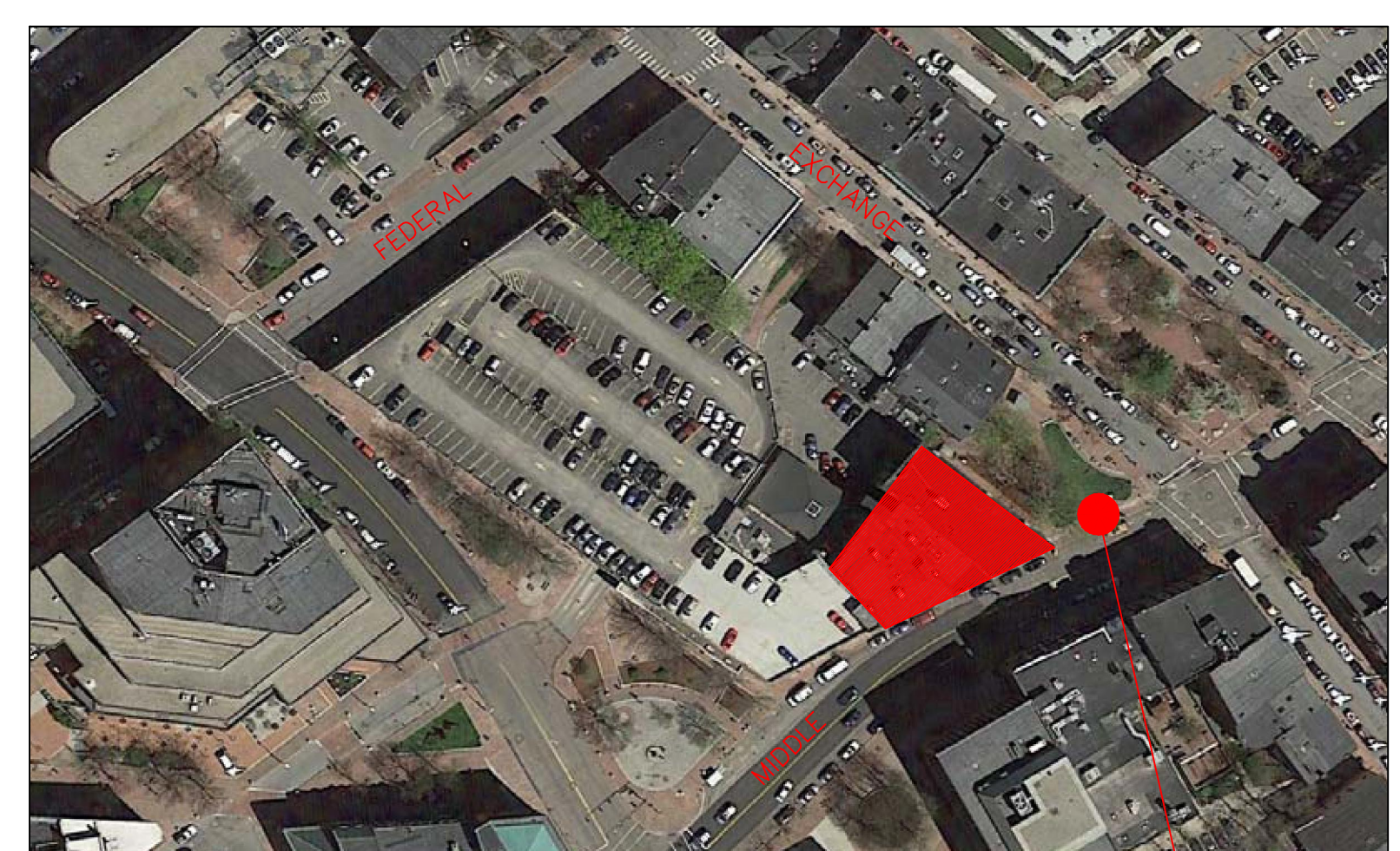
BUILDING SECTION A
SCALE: 1/4"=1'-0"



SECOND FLOOR

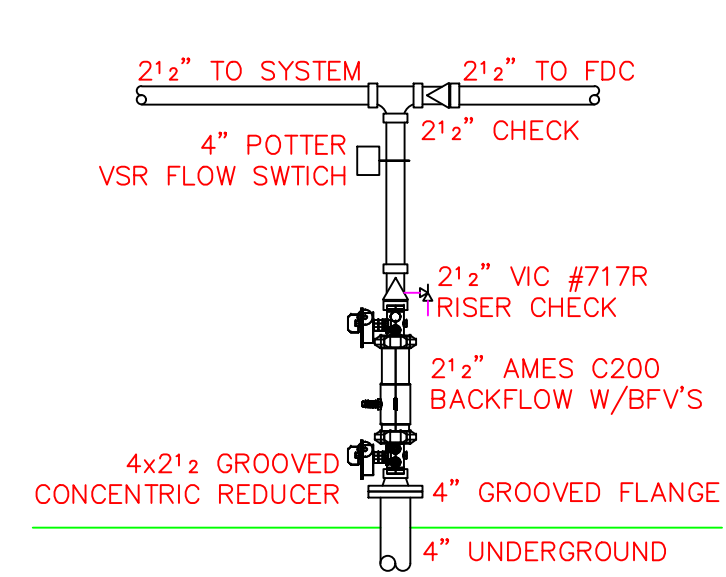


THIRD FLOOR



SITE PLAN
NOT TO SCALE

OCTOBER 2016
95 STATIC
91 RESIDUAL
1519 FLOWING



RISER DETAIL
SCALE: 3/8"=1'-0"

LEGEND:

- UPRIGHT SPRINKLER ON A BRANCH LINE
 - CONCEALED PENDENT SPRINKLER
 - ◊ SEMI-RECESSED HORIZONTAL SIDEWALL
 - RISE OR DROP
 - GROOVED COUPLING
 - ⊗ HYDRAULIC REFERENCE POINT
 - HANGER
- FF = X-X' FINISHED FLOOR TO PIPE CENTERLINE
TJ = X-X' TOP OF JOIST TO PIPE CENTERLINE
BJ = X-X' BOTTOM OF JOIST TO PIPE CENTERLINE

- 20 RELIABLE MODEL F1FR56 - RA1425
155' QUICK RESPONSE / STANDARD COVERAGE BRASS UPRIGHT
- ⊗ 28 RELIABLE MODEL RFC43 - RA0612
165' QUICK RESPONSE / RESIDENTIAL CONCEALED PENDENT, WHITE COVERPLATE
- ▶ 13 RELIABLE MODEL F1 RES 44 - R3531
155' QUICK RESPONSE / RESIDENTIAL HORIZONTAL SIDEWALL, WHITE POLYESTER

WET SYSTEM GENERAL NOTES:

ALL 1" TO 2" PIPE IS TO BE SCH. 40 BLACK STEEL U/N.
ALL 2 1/2" TO 6" PIPE IS TO BE SCH. 10 BLACK STEEL U/N.
ALL THREADED PIPE FITTINGS ARE TO BE BLACK CAST IRON, CLASS 125 U/N.
ALL GROOVED PIPE FITTINGS ARE TO BE FACTORY ENAMEL U/N.
DIMENSIONS SHOWN ON THREADED PIPE ARE CENTER TO CENTER U/N.
DIMENSIONS SHOWN ON GROOVED PIPE ARE "OUT" LENGTHS U/N.
SUFFICIENT HEAT TO PREVENT FREEZING OF THE WET PIPE SPRINKLER SYSTEM IS REQUIRED TO BE FURNISHED BY THE BUYER/OWNER.

SYSTEM CLASSIFICATION

A NEW WET PIPE SYSTEM OF AUTOMATIC SPRINKLERS DESIGNED AND INSTALLED IN ACCORDANCE WITH NFPA-31R, STANDARD FOR THE INSTALLATION OF SPRINKLER SYSTEMS IN LOW-RISE RESIDENTIAL OCCUPANCIES, 2016 EDITION AND NFPA-13, STANDARD FOR THE INSTALLATION OF SPRINKLER SYSTEMS, 2016 EDITION.
OCCUPANCY IS RESIDENTIAL APARTMENTS. THE SYSTEM IS HYDRAULICALLY CALCULATED TO PROVIDE A DENSITY OF 0.05 GPM PER SQUARE FOOT FOR THE MOST DEMANDING FOUR SPRINKLERS.

DANA A. STEWART
NICET IV 064544

APPROVED BY		SURVEYED BY		TITLE	
		N/A	N/A	FIRE PROTECTION LAYOUT	
		CS	3/1/2017	96 FEDERAL STREET PORTLAND, MAINE 04101	
		AT: DEAN & ALLYN, INC		CONTRACT WITH: M&D FEDERAL, LLC 11 CLEEVE STREET, APT 1 PORTLAND, ME 04101	
		SCALE	1/4" = 1'-0"	SHEET NO. 1 OF 1	
		DATE	3/26/17	CONTRACT NO. C161372	

DEAN & ALLYN, INC.
FIRE PROTECTION - SPECIAL HAZARD

PO BOX 709, GRAY, MAINE 04039
207/657-5646 FAX 207/657-5647

FP-01

NO. OF SPRINKLERS SHOWN ON THE SHEET: 61
NO. OF SPRINKLERS ON JOB: 61
CONTRACT NO. C161372