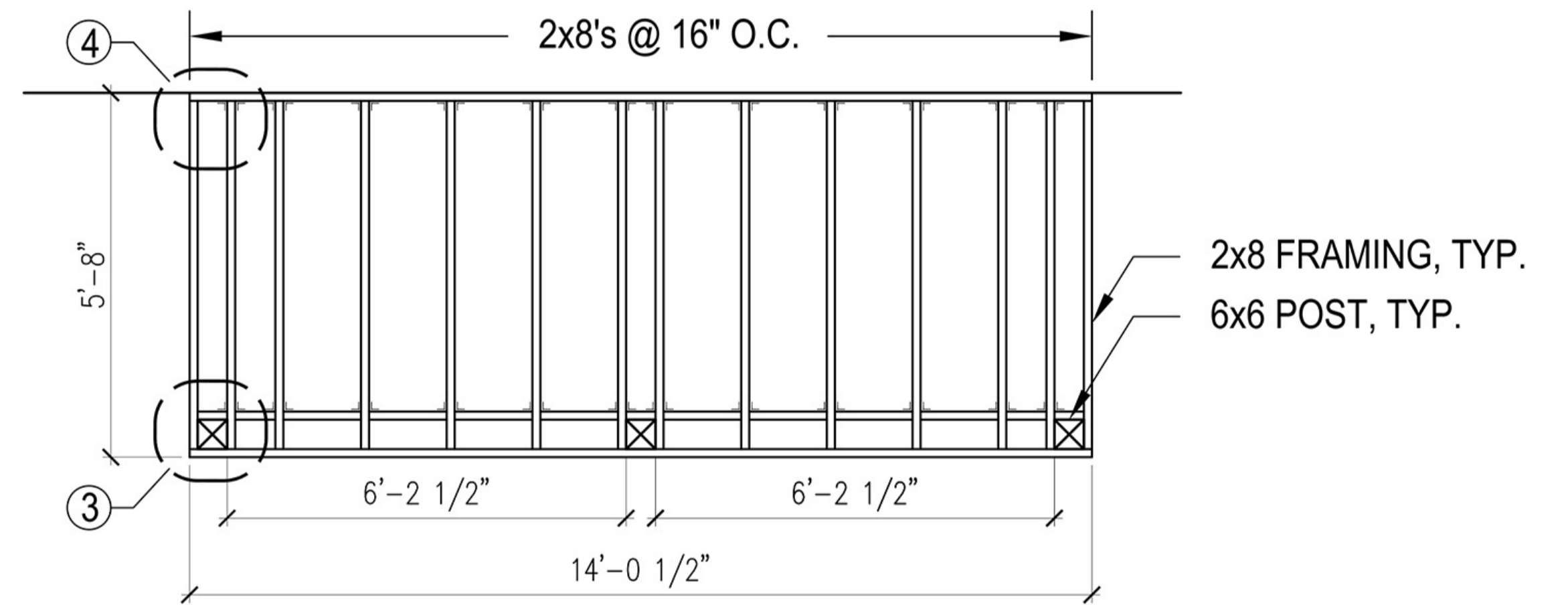


6 ROOF FRAMING DETAIL 2

5 ROOF FRAMING DETAIL 1

2 ROOF FRAMING PLAN
SCALE: 1/2"=1'-0"



4 TYP. FRAMING DETAIL 2

3 TYP. FRAMING DETAIL 1

1 FLOOR FRAMING PLAN
SCALE: 1/2"=1'-0"

Prepared For:

TEXT

Address
City, State

Consulting Engineer:

ARCHETYPE
architects
48 Union Wharf Portland, Maine 04101
(207) 772-6022 Fax (207) 772-4056

Architect

Project:

Revisions:

Date: DEC. 19 2015
Scale: AS NOTED

FRAMING PLANS
AND DETAILS

A1.01