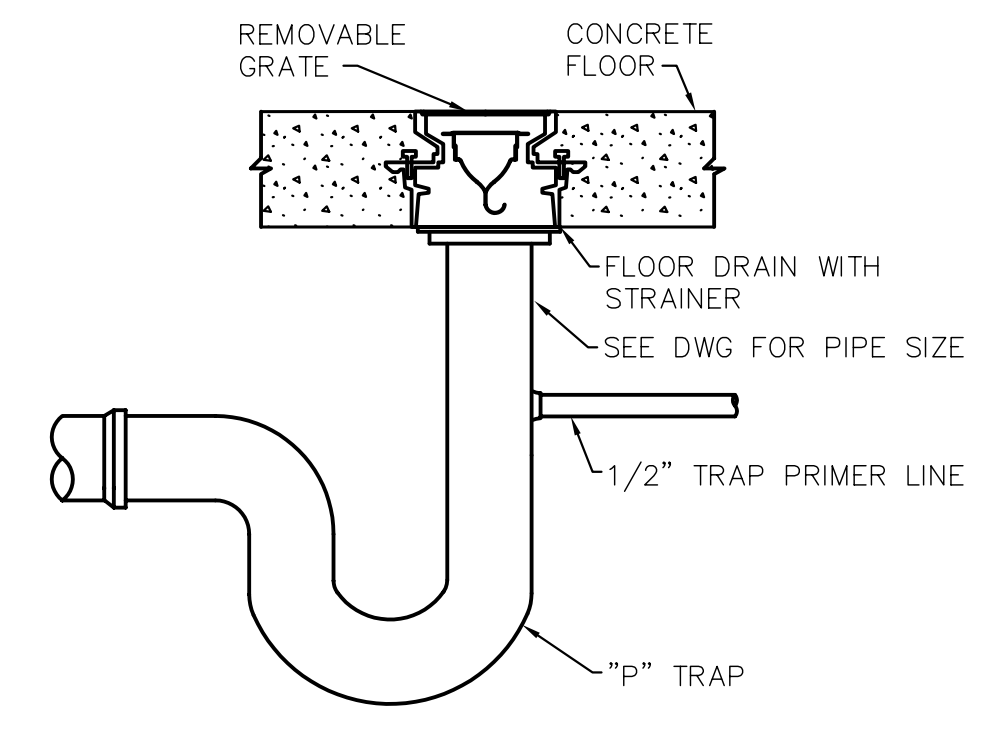


F1 DETAIL ~ FLOOR CLEANOUT

F3 DETAIL ~ WALL CLEANOUT

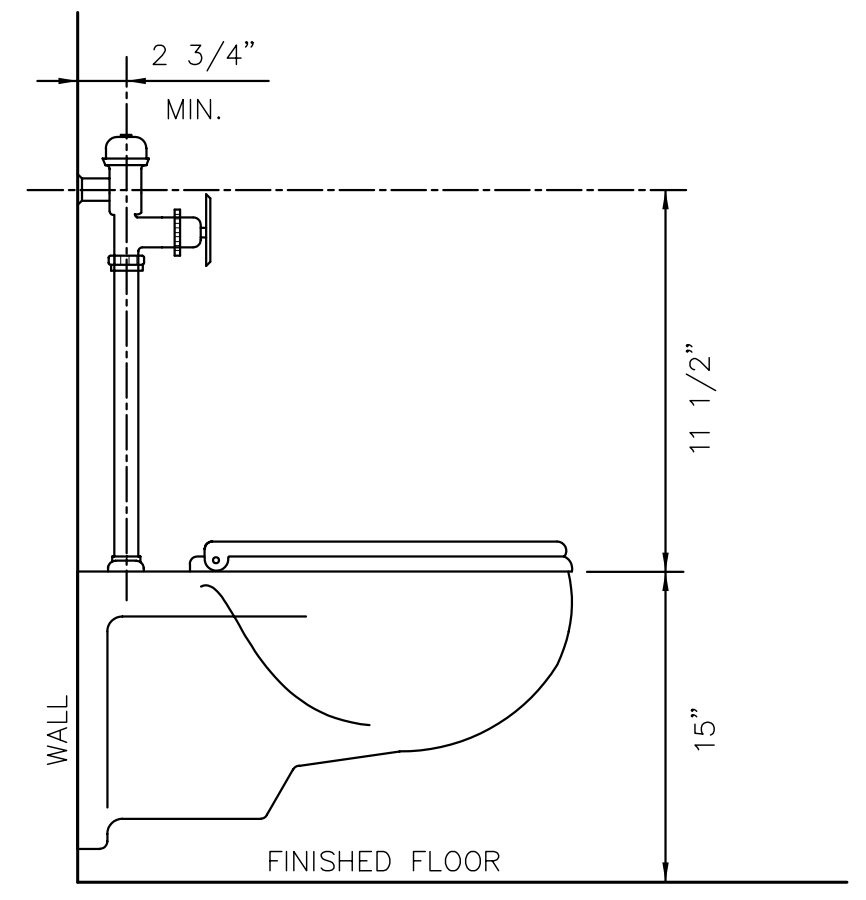
NOT TO SCALE

NOT TO SCALE



D1 DETAIL ~ FLOOR DRAIN (GUARDS TOILET RM)

NOT TO SCALE



B1 DETAIL ~ WATER CLOSET (P-3) FLUSH VALVE

NOT TO SCALE

PLUMBING FIXTURE SCHEDULE					
TAG	DESCRIPTION	BRANCH SIZES			
		CW	HW	V	W
P-1	LAV/TOILET COMBY	1"	1/2"	2"	3"
P-2	LAVATORY, WALL MOUNT ~ BARRIER FREE	1/2"	1/2"	1 1/2"	2"
P-3	WATER CLOSET, WALL MOUNT	1"	-	2"	3"

A1 PLUMBING FIXTURE SCHEDULE

NOT TO SCALE

Winton Scott Architects
Portland, ME

allied
engineering, inc.
One Westbrook Commons
Westbrook, Maine 04092-2804
Telephone: 207-854-8126
Fax: 207-854-0603

R E V I S I O N S			
NUMBER	DATE	BY	DESCRIPTION

Scale: As Noted
Date: 10-04-2005
Drawn By: VAG
Checked By: REW
Project Mgr: WPF
Project No: 04084
Cad File: 04084P.DWG
Print Scale: 1 - 1

PLUMBING DETAILS
DETENTION AREA RENOVATIONS
CUMBERLAND COUNTY COURTHOUSE
PORTLAND, MAINE
© 2005 ALLIED ENGINEERING, INC.

PL-200