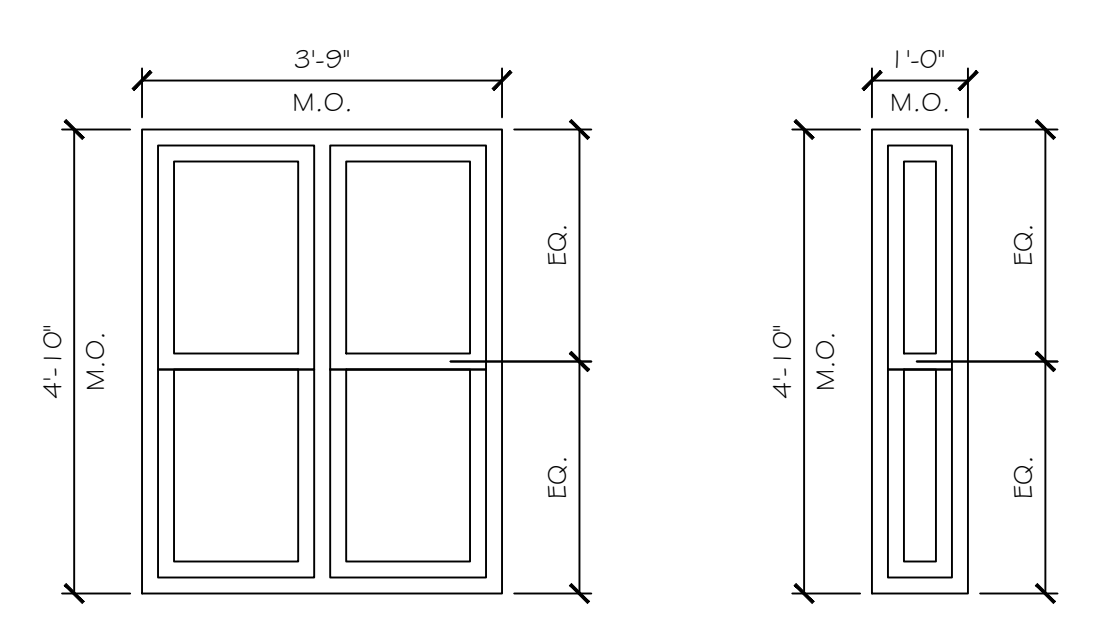


**GRANT HAY
ASSOCIATES**

ARCHITECTURE & INTERIOR DESIGN
P.O. BOX 6179 FALMOUTH MAINE 04105
207.871.5900 www.granthays.com

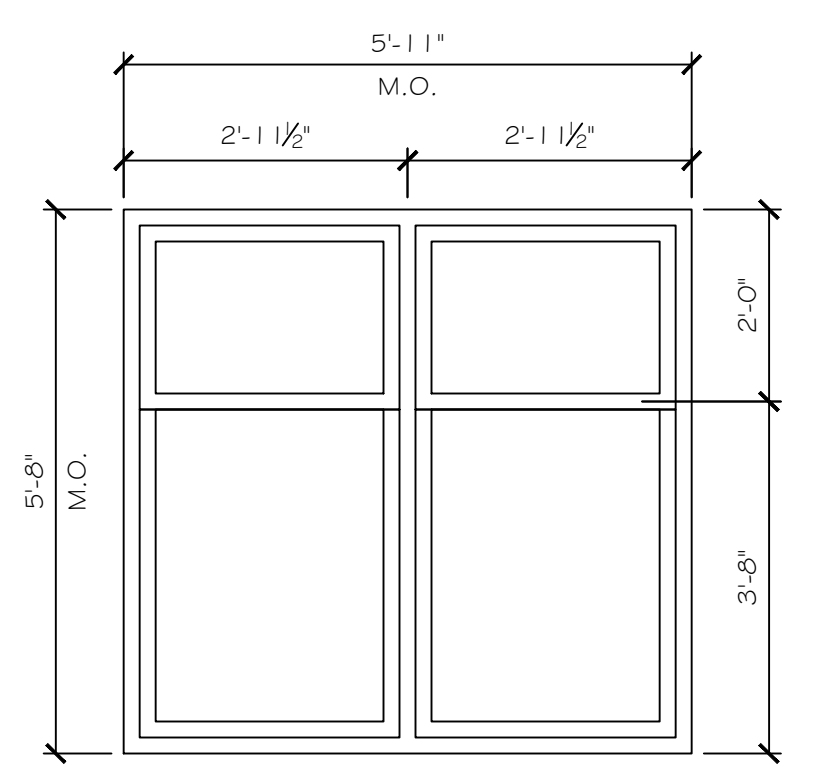
SCALE

REVISIONS

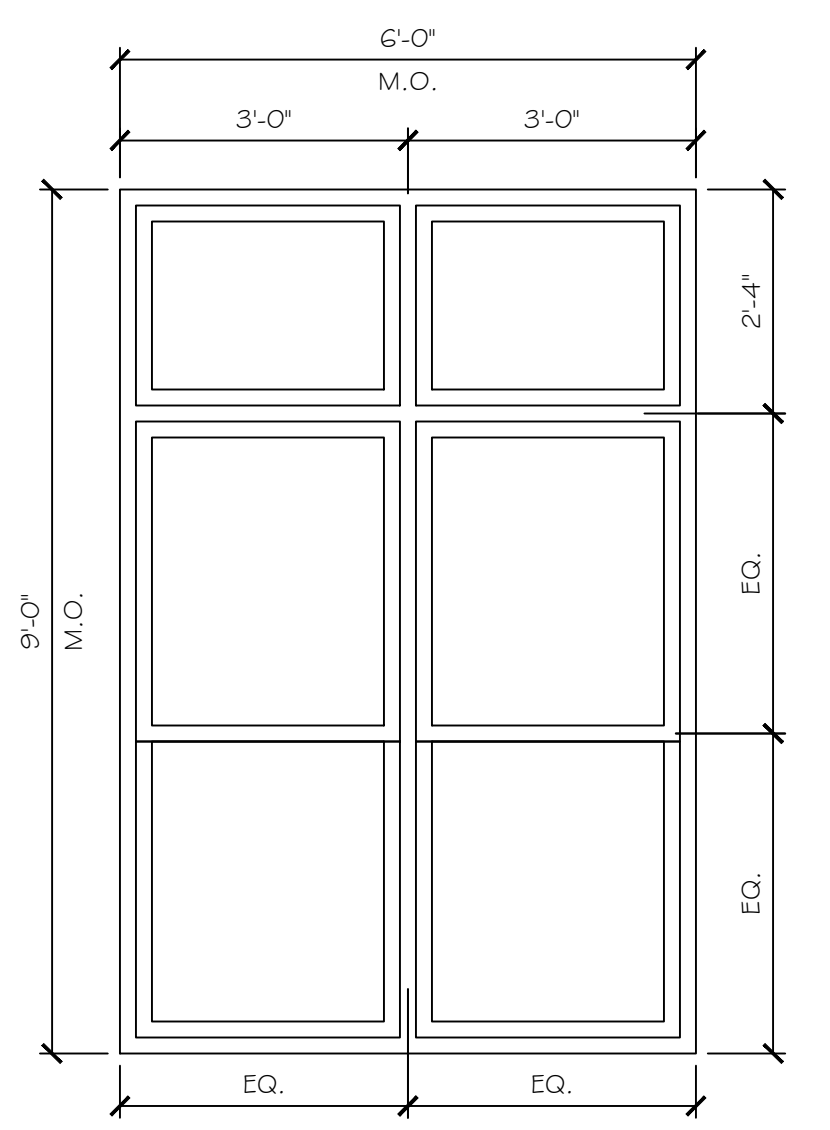


Q DOUBLE HUNG
(* LOCATIONS w/ OBSCURE I.G.)

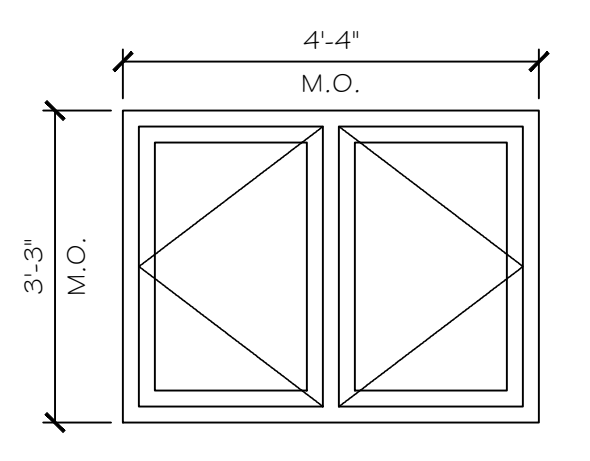
R DOUBLE HUNG
(* LOCATIONS w/ OBSCURE I.G.)



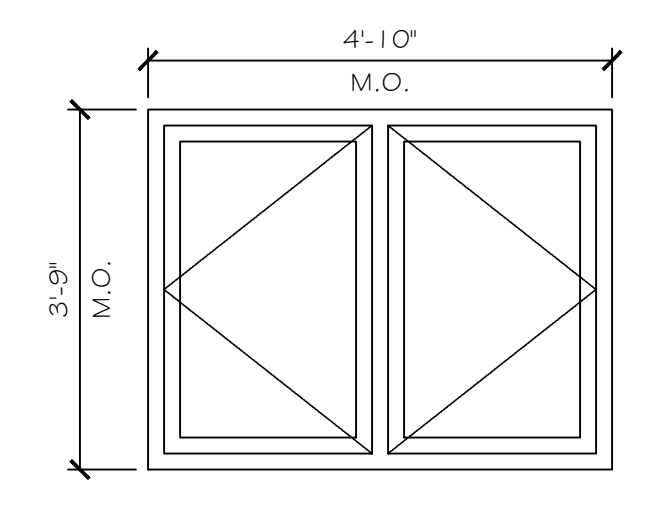
S DOUBLE HUNG
CASEMENT



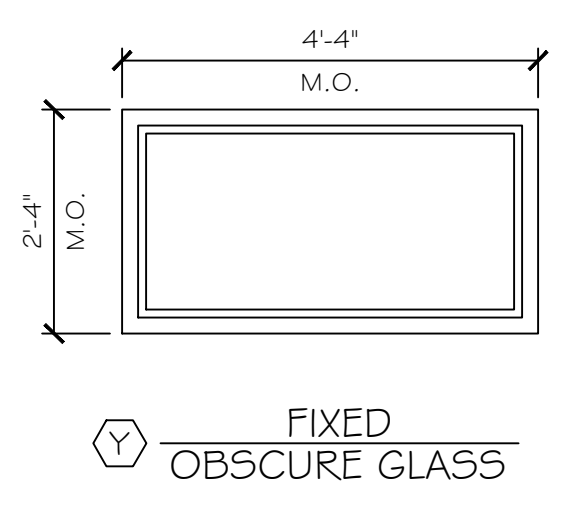
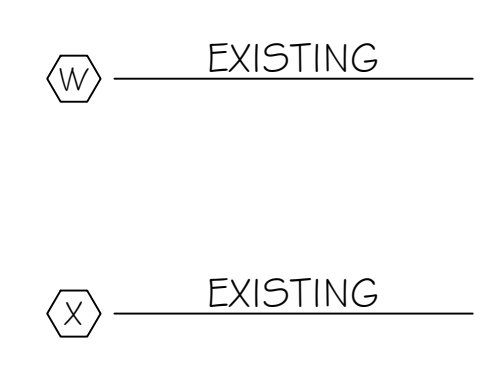
T FIXED TRANSOM
DOUBLE HUNG



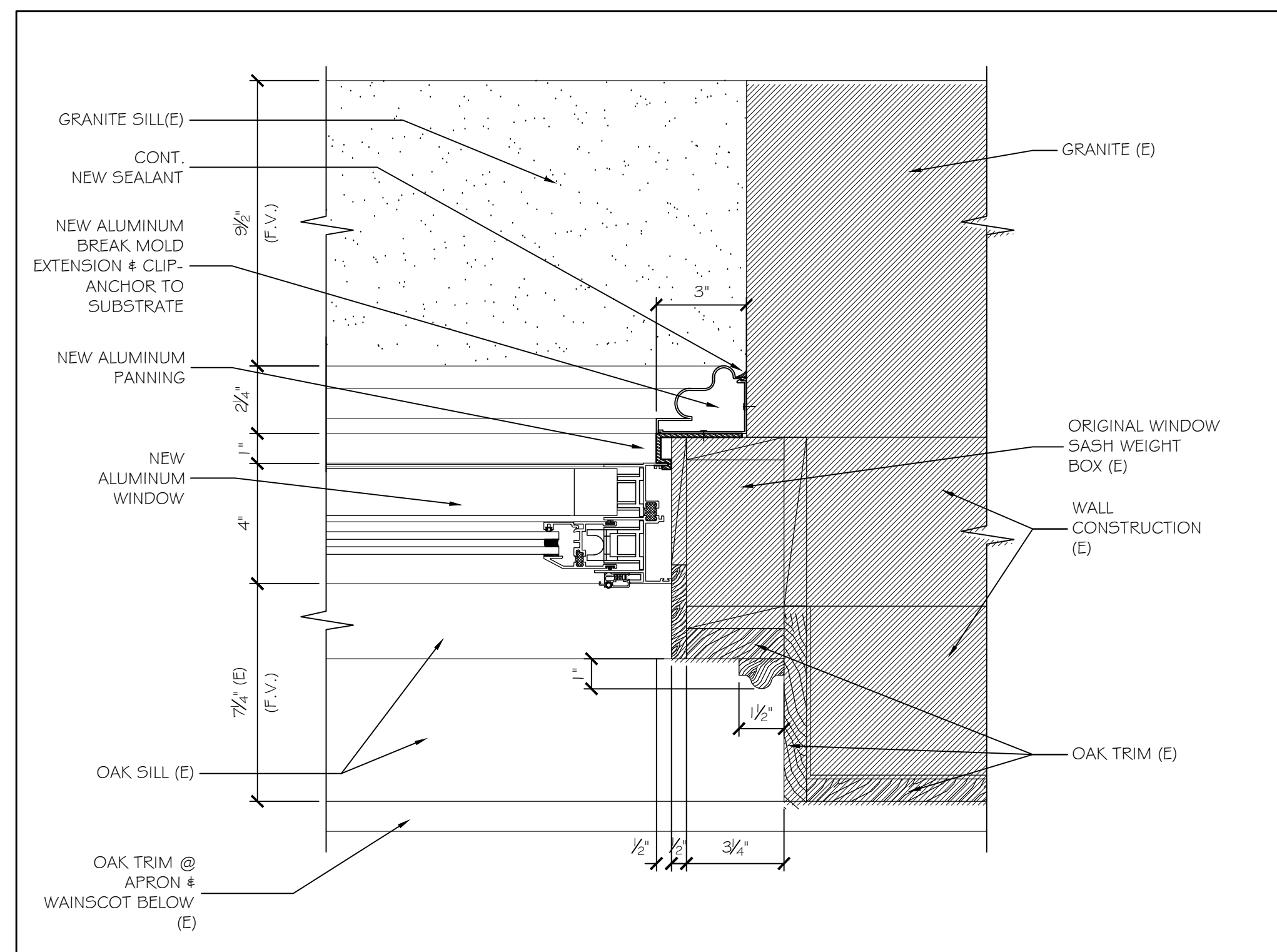
U CASEMENT



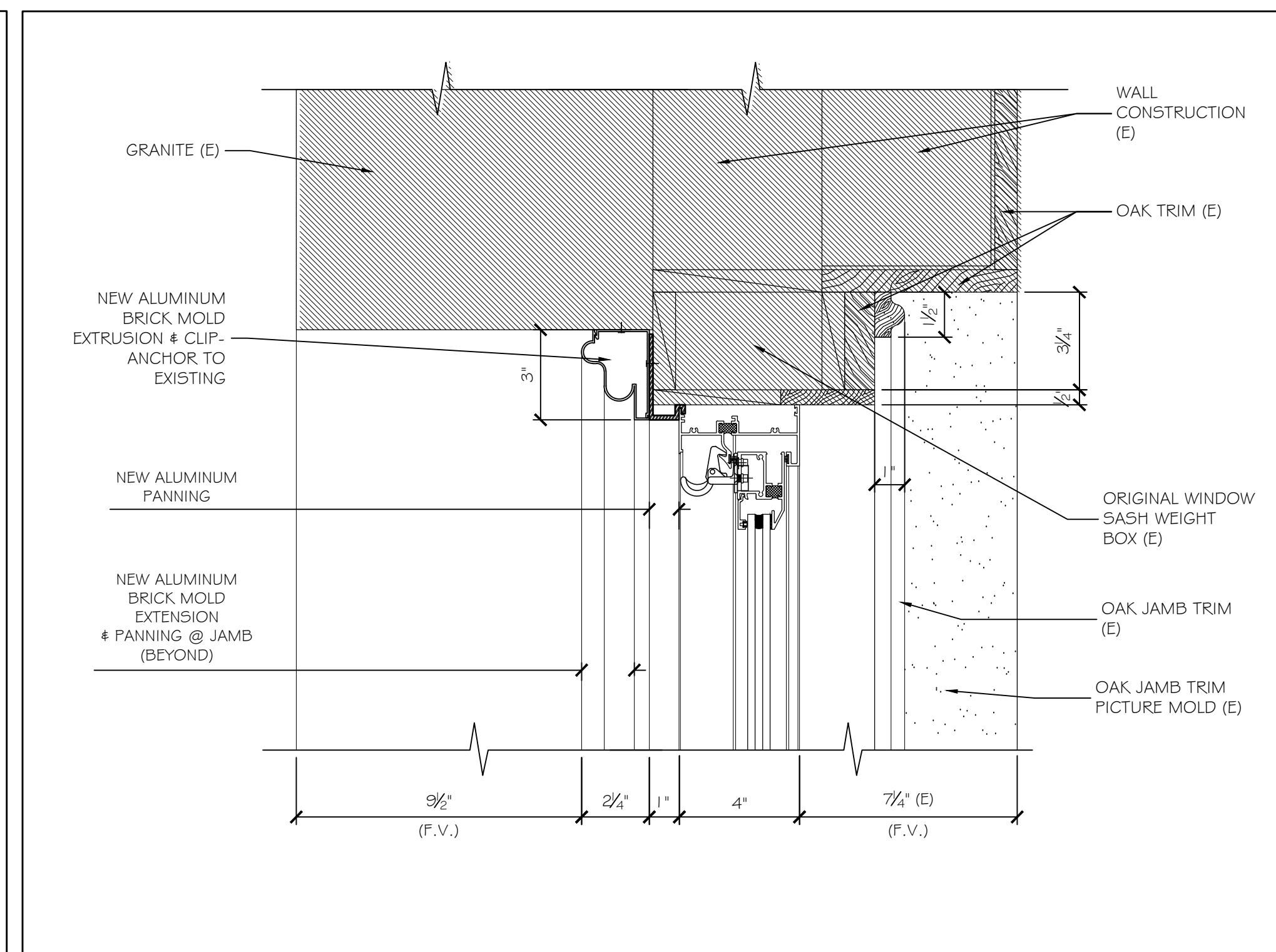
V CASEMENT



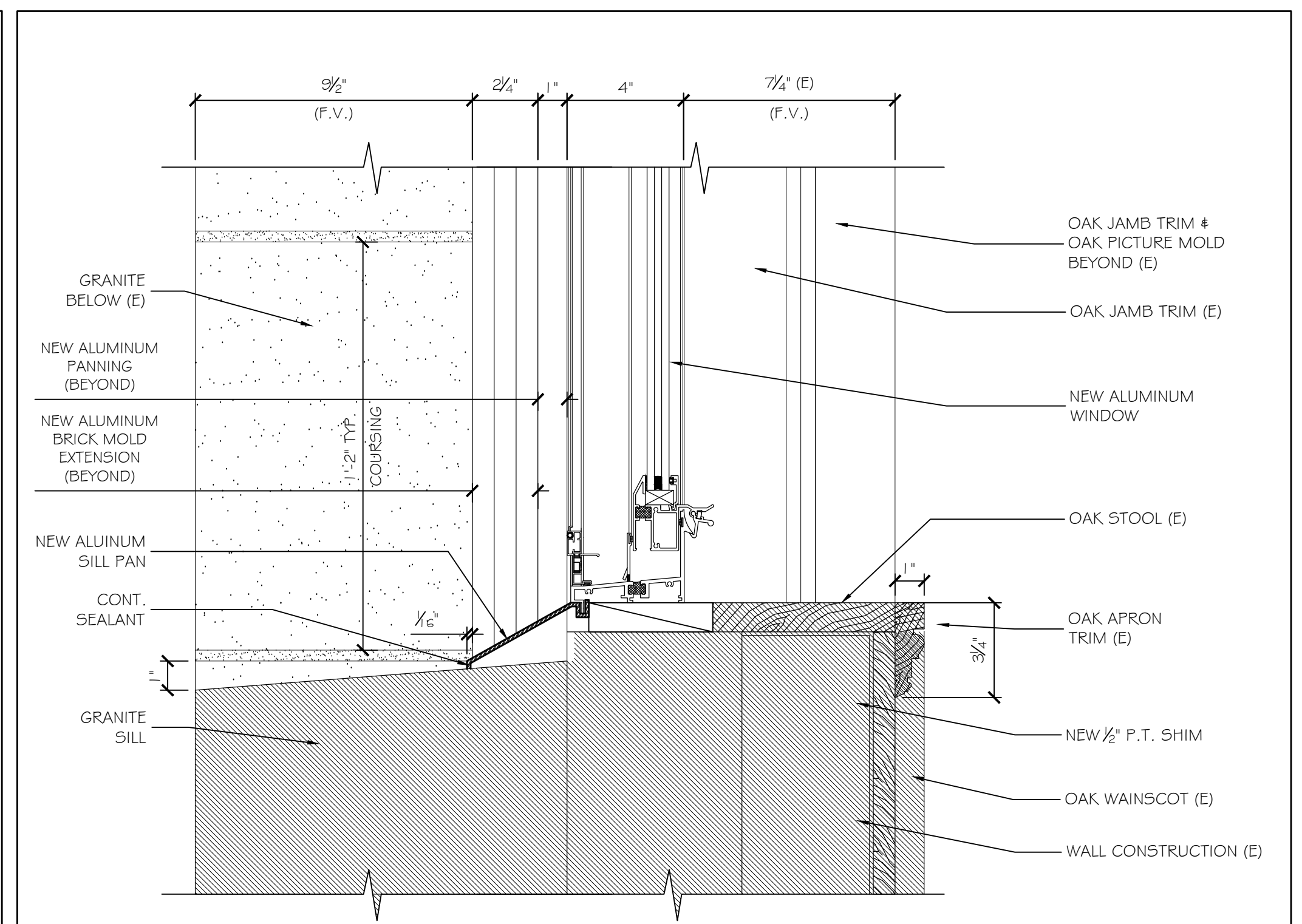
WINDOW TYPES 1/2" = 1'-0"



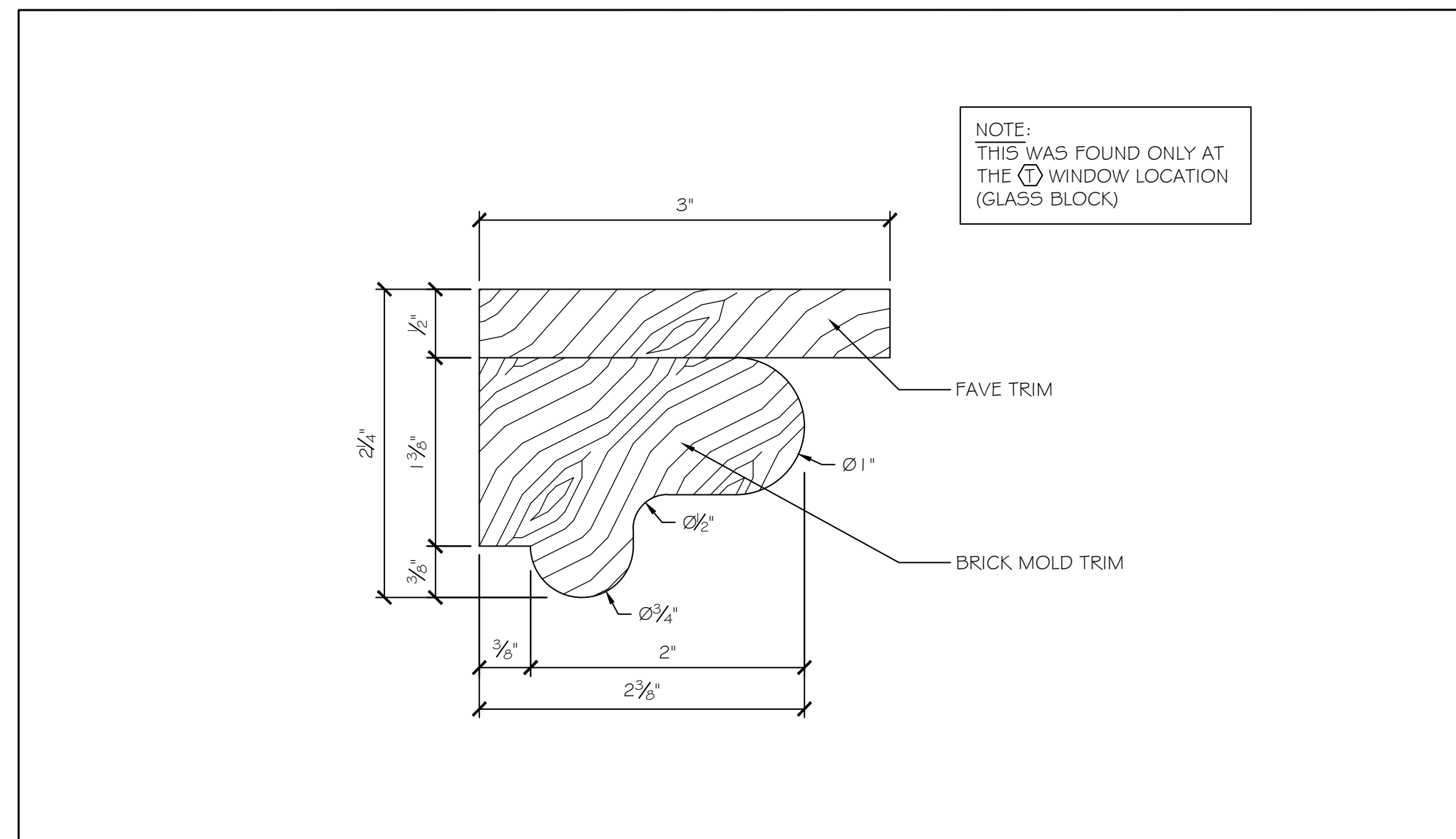
1 JAMB DETAIL 3" = 1'-0"



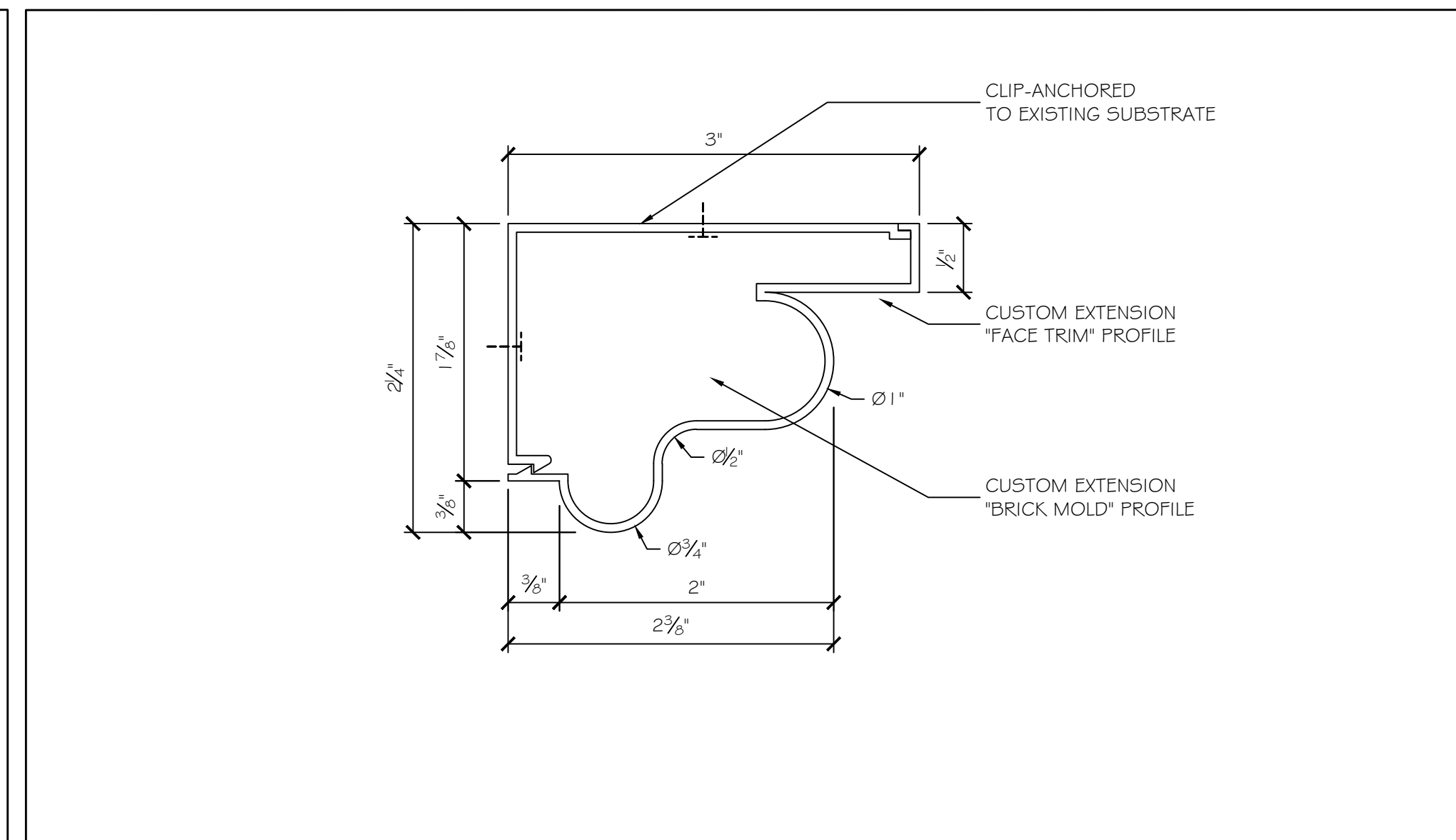
2 HEAD DETAIL 3" = 1'-0"



3 SILL DETAIL 3" = 1'-0"



4 EXISTING PTD WOOD BRICK MOLD PROFILE FULL SIZE



5 CUSTOM ALUMINUM BRICK MOLD EXTENSION FULL SIZE

DRAWING NAME

HISTORIC EXTERIOR WINDOW
CUMBERLAND COUNTY COURTHOUSE
205 NEWBURY STREET
PORTLAND, MAINE 04101

SHEET

WINDOW
TYPES
& DETAILS

DATE: 7 DEC '15
SCALE: AS NOTED
DRAWN: MFH/mgk
JOB NO: 150512

A-7
COPYRIGHT REPRODUCTION OR REVISE OF THIS DOCUMENT WITHOUT WRITTEN PERMISSION FROM GRANT HAY ASSOCIATES IS PROHIBITED.