

GRANT HAY  
ASSOCIATES

ARCHITECTURE & INTERIOR DESIGN  
P.O. BOX 6179 FALMOUTH MAINE 04105  
207.871.5900 www.granthays.com

SCALE

REVISIONS

DRAWING NAME

HISTORIC EXTERIOR WINDOWS  
CUMBERLAND COUNTY COURTHOUSE  
205 NEWBURY STREET  
PORTLAND, MAINE 04101

SHEET

WINDOW  
SCHEDULE  
& TYPES

DATE: 7 DEC '15  
SCALE: AS NOTED  
DRAWN: MFH/mgk  
JOB NO: 150512

SHEET

A-6

COPYRIGHT REPRODUCTION OR REVISE OF THIS DOCUMENT WITHOUT WRITTEN PERMISSION FROM GRANT HAY ASSOCIATES IS PROHIBITED.

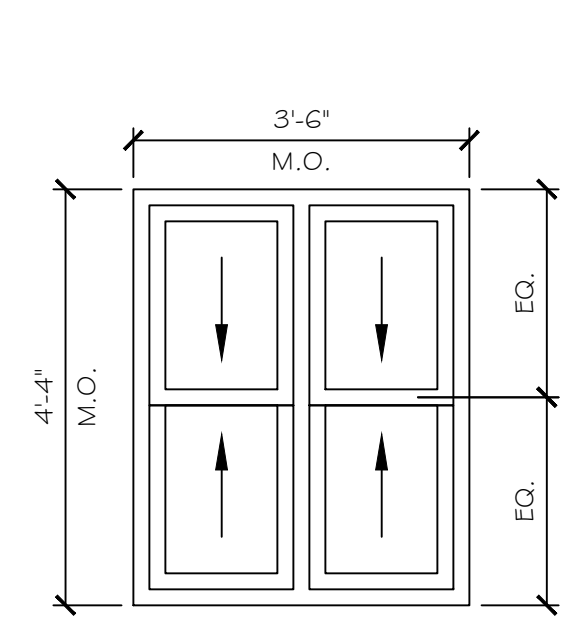
# WINDOW SCHEDULE

## ABBREVIATIONS

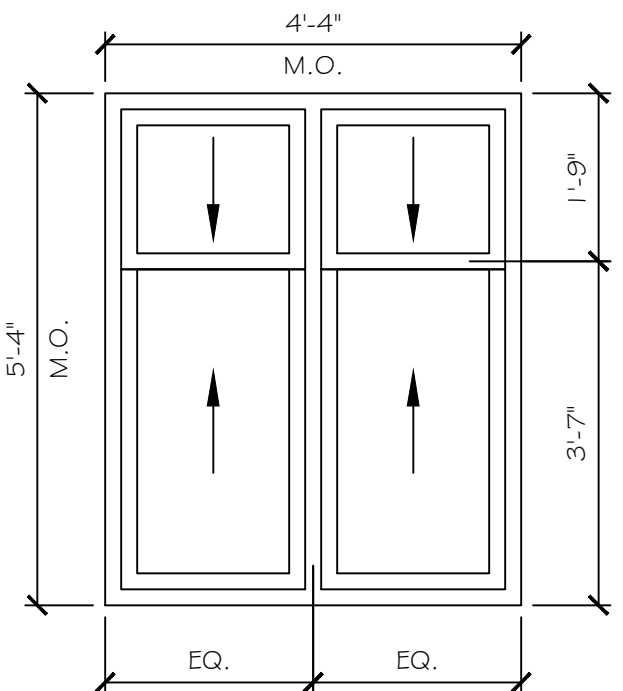
AL	ALUMINUM	MTL	METAL
CMT	CASEMENT	TEMP	TEMPERED
DH	DOUBLE HUNG	V	W/INT
EJ	EXISTING	WG	WIRE GLASS
FIX	FIXED SASH	WD	WOOD
INSUL	INSULATED	W/	WITH

NO.	TYPE	MANUFACTURER		NOMINAL SIZE		DETAILS					REMARKS	
		MFGR	MODEL	WIDTH	HEIGHT	HEAD	JAMB	SILL A	SILL B	MULL		
A	DOUBLE HUNG	T-BREAK ALUM	I.G. LOW 'E'	3'-6"	4'-4"							* OBSCURE GLASS
B	DOUBLE HUNG	T-BREAK ALUM	I.G. LOW 'E'	4'-4"	5'-4"							
C	DOUBLE HUNG	T-BREAK ALUM	I.G. LOW 'E'	4'-4"	5'-9 1/2"							* OBSCURE GLASS PER PLAN
D	DOUBLE HUNG	T-BREAK ALUM	I.G. LOW 'E'	4'-4"	6'-7 1/2"							
E	DOUBLE HUNG	T-BREAK ALUM	I.G. LOW 'E'	4'-4"	7'-4"							
F	FIXED/DOUBLE HUNG	T-BREAK ALUM	I.G. LOW 'E'	4'-4"	8'-6"							* OBSCURE GLASS PER PLAN
G	FIXED/DOUBLE HUNG	T-BREAK ALUM	I.G. LOW 'E'	3'-4"	8'-6"							* OBSCURE GLASS PER PLAN
H	FIXED/DOUBLE HUNG	T-BREAK ALUM	I.G. LOW 'E'	2'-0"	8'-6"							
I	CASEMENT	T-BREAK ALUM	I.G. LOW 'E'	1'-0"	2'-1 1/2"							* OBSCURE GLASS PER PLAN
J	FIXED/DOUBLE HUNG	T-BREAK ALUM	I.G. LOW 'E'	5'-1"	9'-7"							
K	FIXED/DOUBLE HUNG	T-BREAK ALUM	I.G. LOW 'E'	6'-4"	12'-3 1/2"							
L	FIXED/DOUBLE HUNG	T-BREAK ALUM	I.G. LOW 'E'	4'-4"	9'-7"							* OBSCURE GLASS PER PLAN
M	FIXED/DOUBLE HUNG	T-BREAK ALUM	I.G. LOW 'E'	4'-4"	9'-6"							* OBSCURE GLASS PER PLAN
N	FIXED/DOUBLE HUNG	T-BREAK ALUM	I.G. LOW 'E'	6'-4"	11'-0"							
O	DOUBLE HUNG	T-BREAK ALUM	I.G. LOW 'E'	6'-4"	5'-4"							
P	DOUBLE HUNG	T-BREAK ALUM	I.G. LOW 'E'	4'-8"	3'-8"							* OBSCURE GLASS PER PLAN
Q	DOUBLE HUNG	T-BREAK ALUM	I.G. LOW 'E'	3'-9"	4'-10"							* OBSCURE GLASS PER PLAN
R	DOUBLE HUNG	T-BREAK ALUM	I.G. LOW 'E'	1'-0 1/2"	4'-10"							* OBSCURE GLASS PER PLAN
S	DOUBLE HUNG	T-BREAK ALUM	I.G. LOW 'E'	5'-11"	5'-8"							
T	FIXED/DOUBLE HUNG	T-BREAK ALUM	I.G. LOW 'E'	6'-0"	9'-0"							
U	CASEMENT	T-BREAK ALUM	I.G. LOW 'E'	4'-4"	3'-3"							
V	CASEMENT	T-BREAK ALUM	I.G. LOW 'E'	4'-10"	3'-9"							
W	EXISTING	EXISTING	EXISTING	4'-4"	8'-6"							EXISTING TO REMAIN
X	EXISTING	EXISTING	EXISTING	4'-4"	5'-9 1/2"							EXISTING PANEL TO REMAIN
Y	EXISTING	T-BREAK ALUM	I.G. LOW 'E'	4'-4"	2'-4"							* OBSCURE GLASS PER PLAN

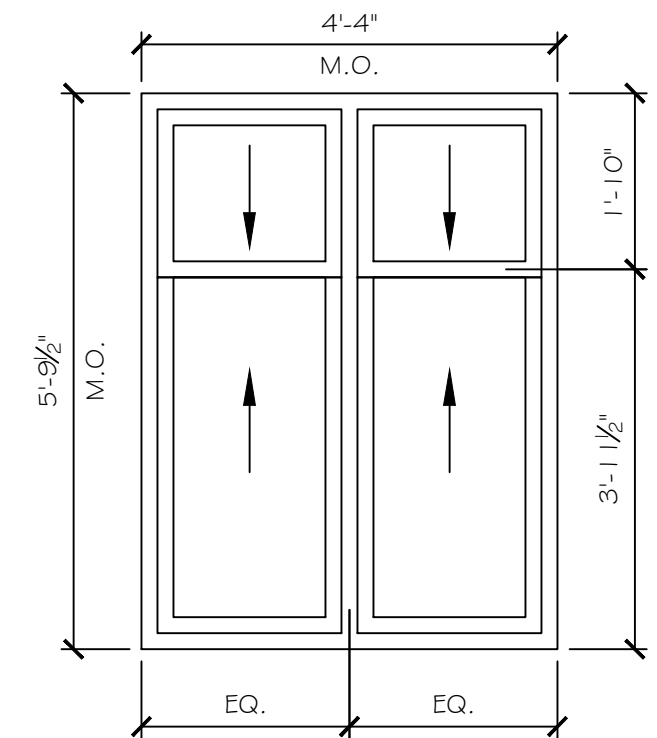
- NOTES:
- MASONRY OPENINGS INDICATED ABOVE SHALL BE FIELD VERIFIED PRIOR TO COMMENCEMENT OF THE WORK.
  - INTERIOR WINDOW DIMENSIONS ARE APPROXIMATELY M.O. + 2" @ WIDTH AND M.O. - 3" AT HEIGHT.
- FIELD VERIFY ALL WINDOW DIMENSIONS PRIOR TO FABRICATION OF NEW UNITS.



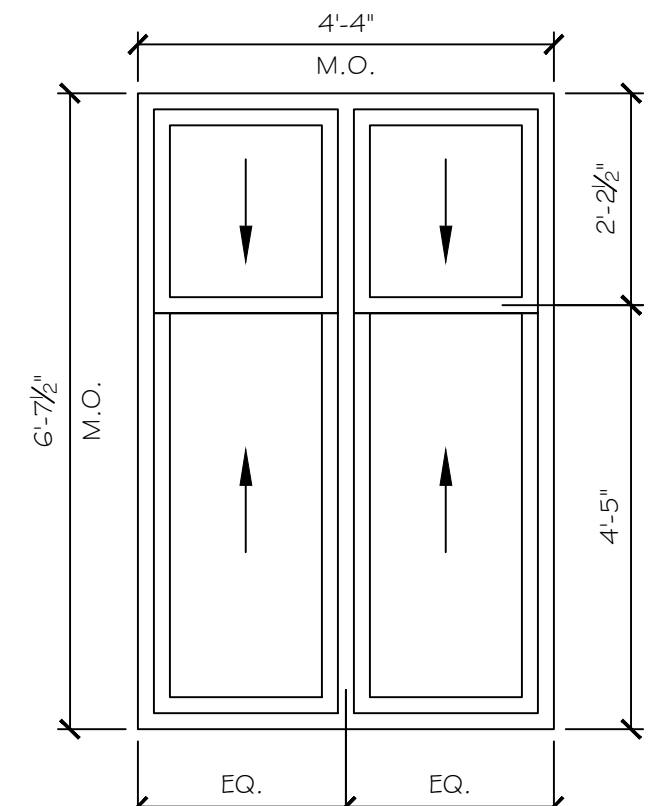
A DOUBLE HUNG  
(OBSCURE I.G.)



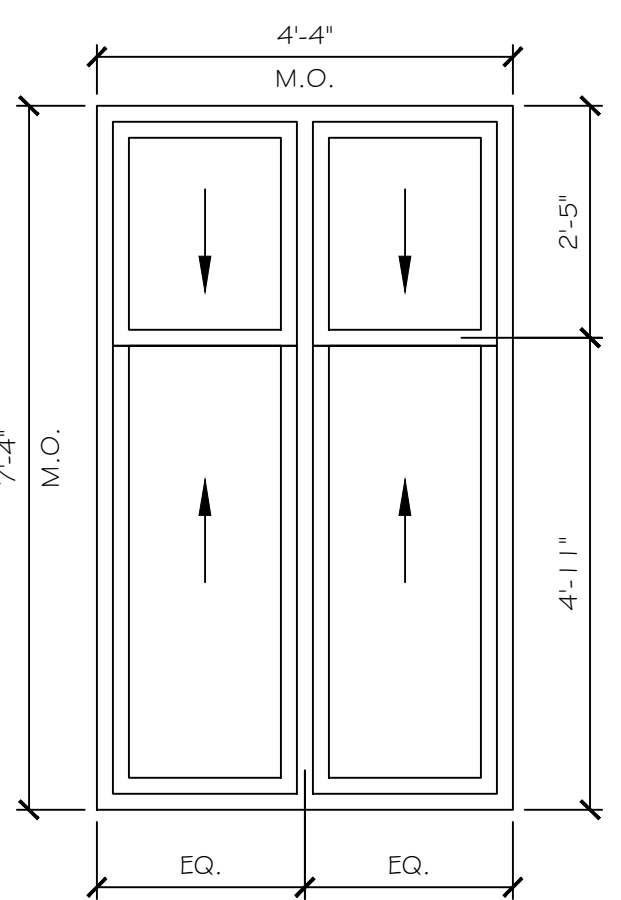
B DOUBLE HUNG



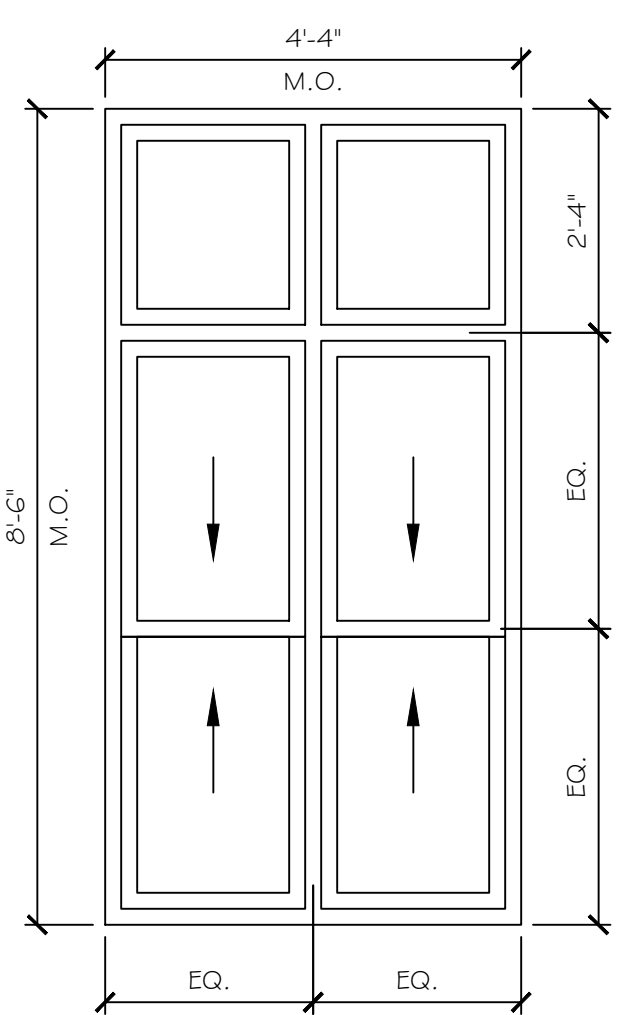
C DOUBLE HUNG  
OFFSET SASHES  
(\* LOCATIONS w/ OBSCURE I.G.)



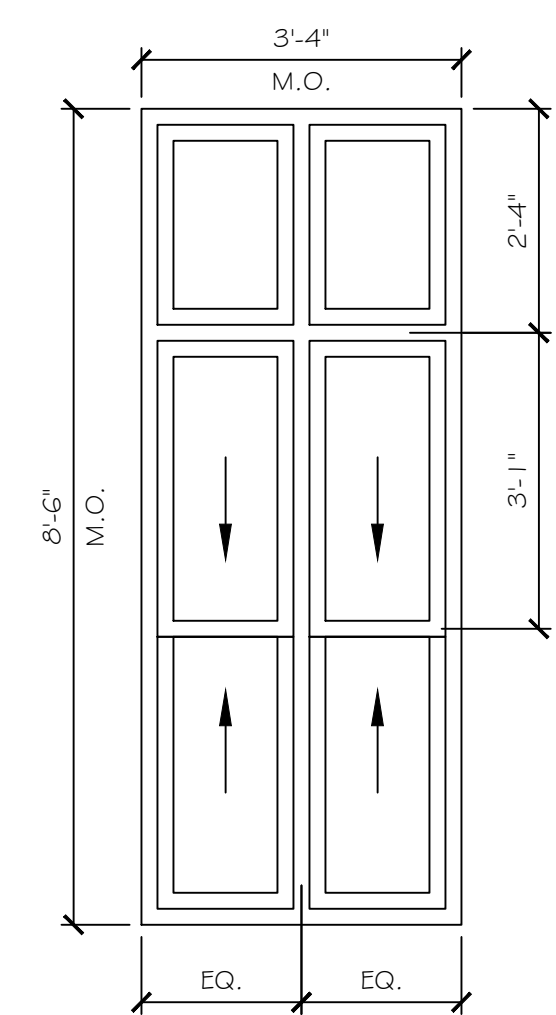
D DOUBLE HUNG  
OFFSET SASHES



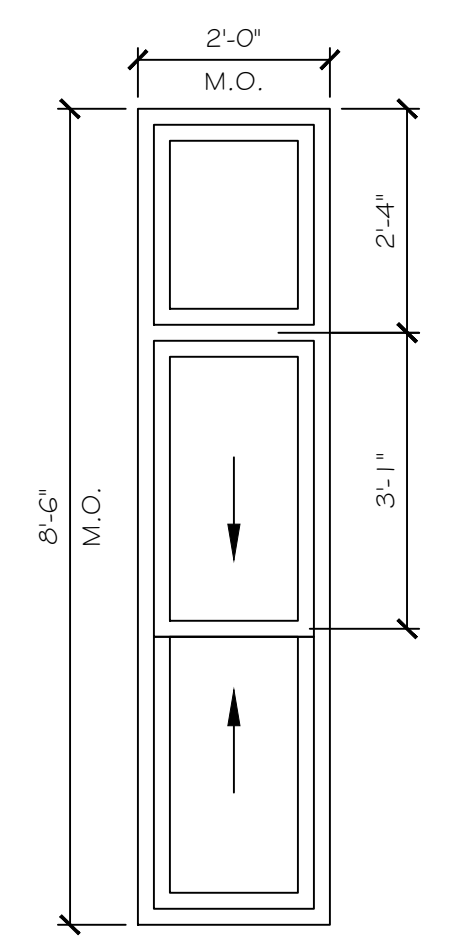
E DOUBLE HUNG  
OFFSET SASHES



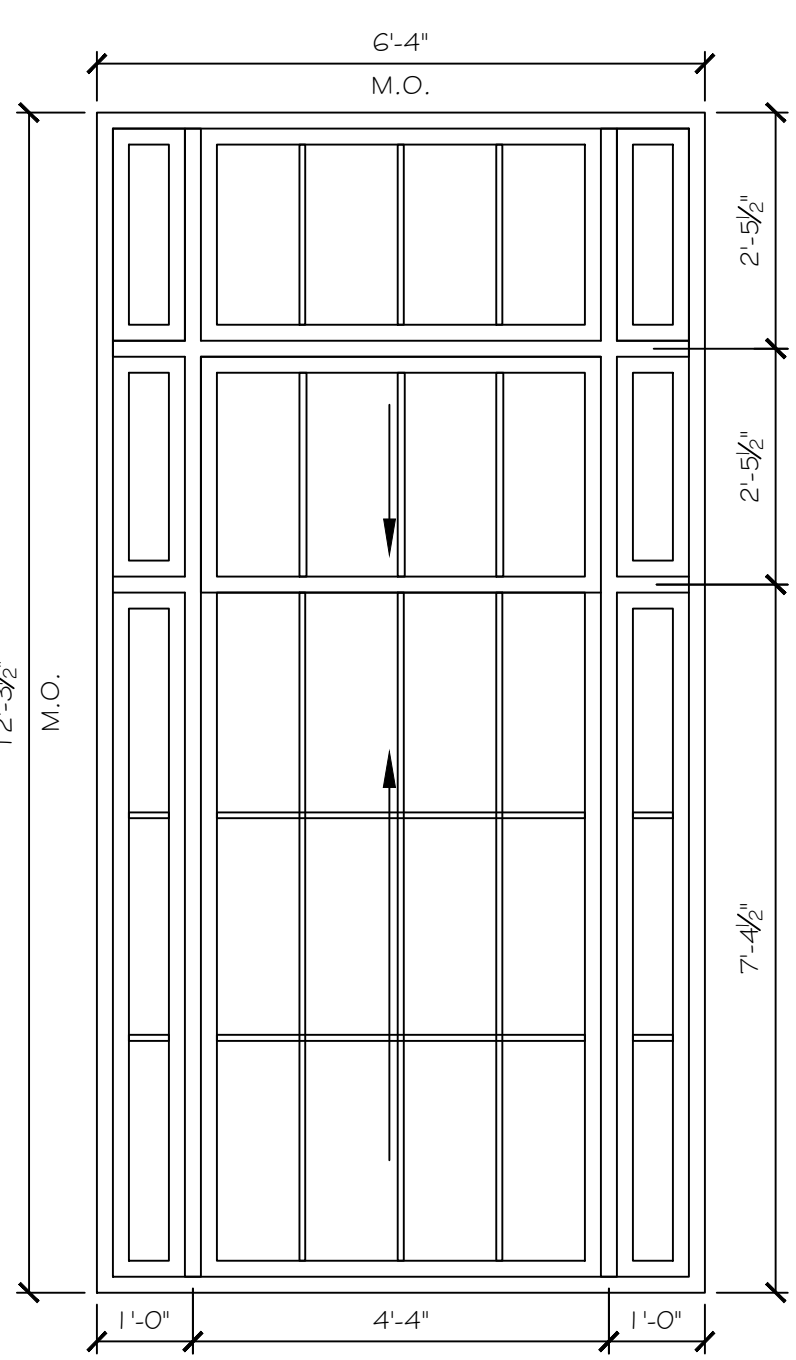
F FIXED TRANSOM  
DOUBLE HUNG  
(\* LOCATIONS w/ OBSCURE I.G.)



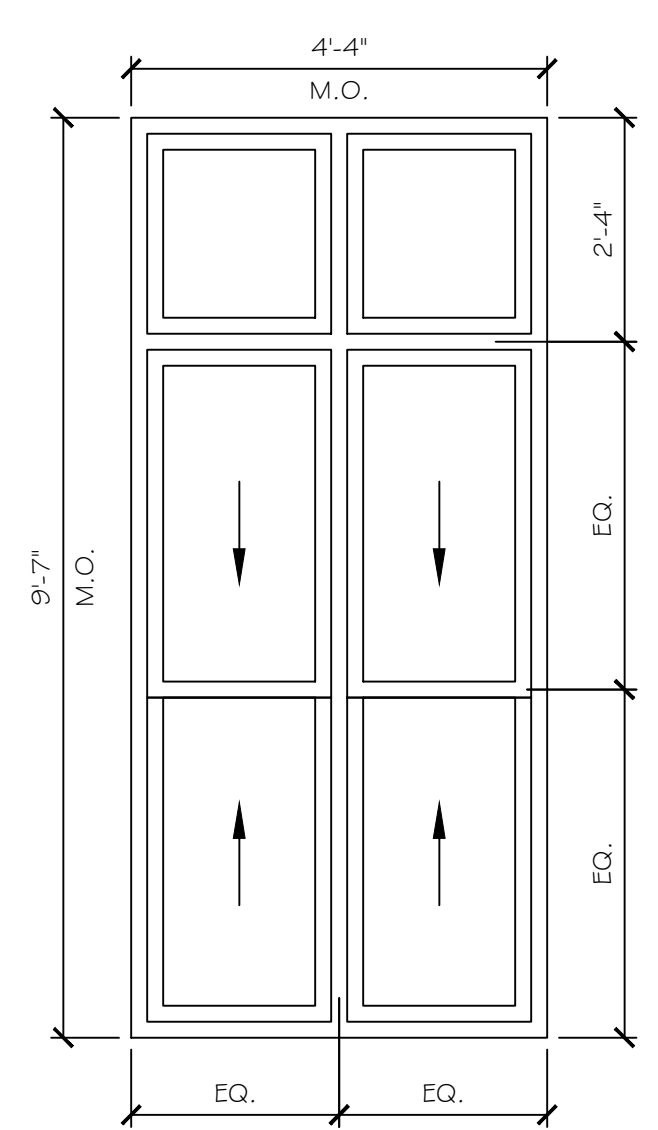
G FIXED TRANSOM  
DOUBLE HUNG  
(\* LOCATIONS w/ OBSCURE I.G.)



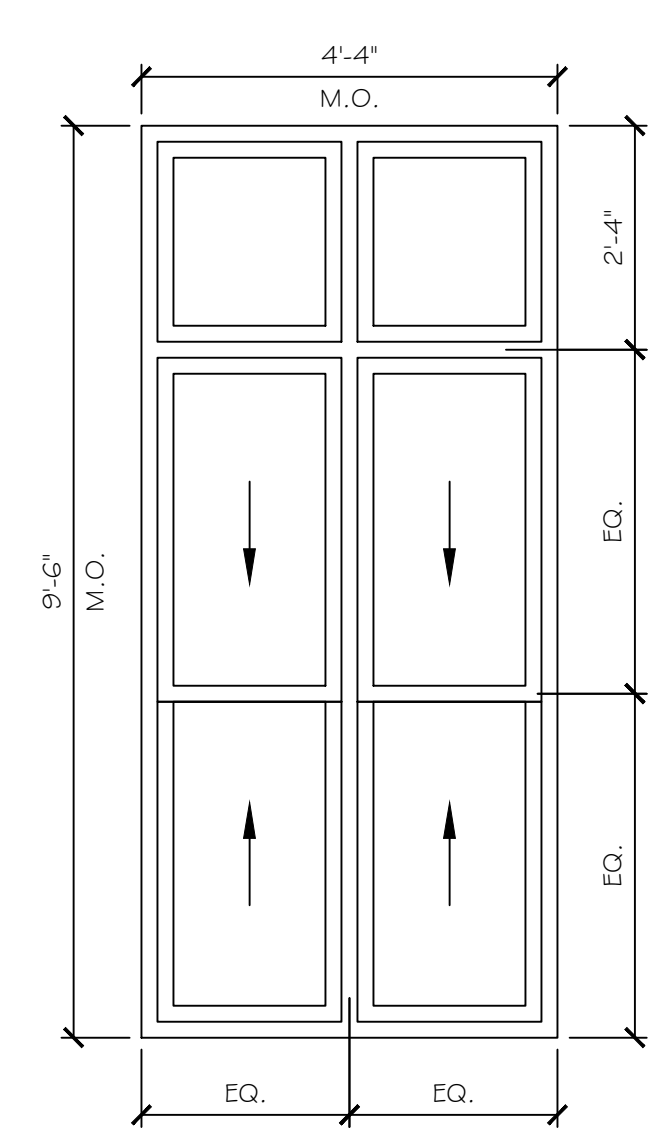
H FIXED TRANSOM  
DOUBLE HUNG



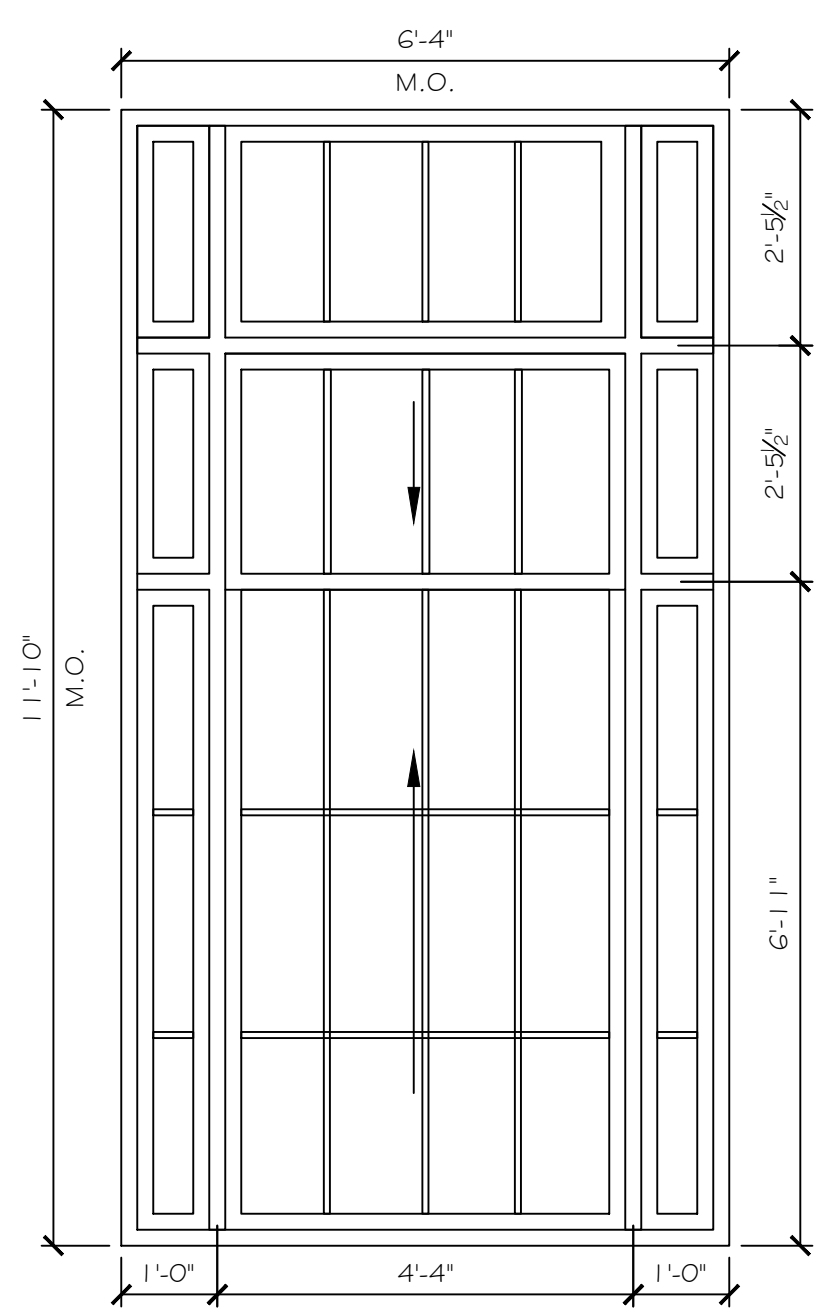
K FIXED TRANSOM  
DOUBLE HUNG  
w/ FIXED SIDELITES



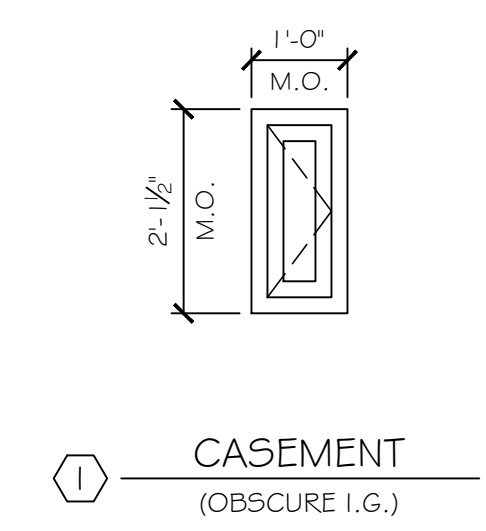
L FIXED TRANSOM  
DOUBLE HUNG  
(\* LOCATIONS w/ OBSCURE I.G.)



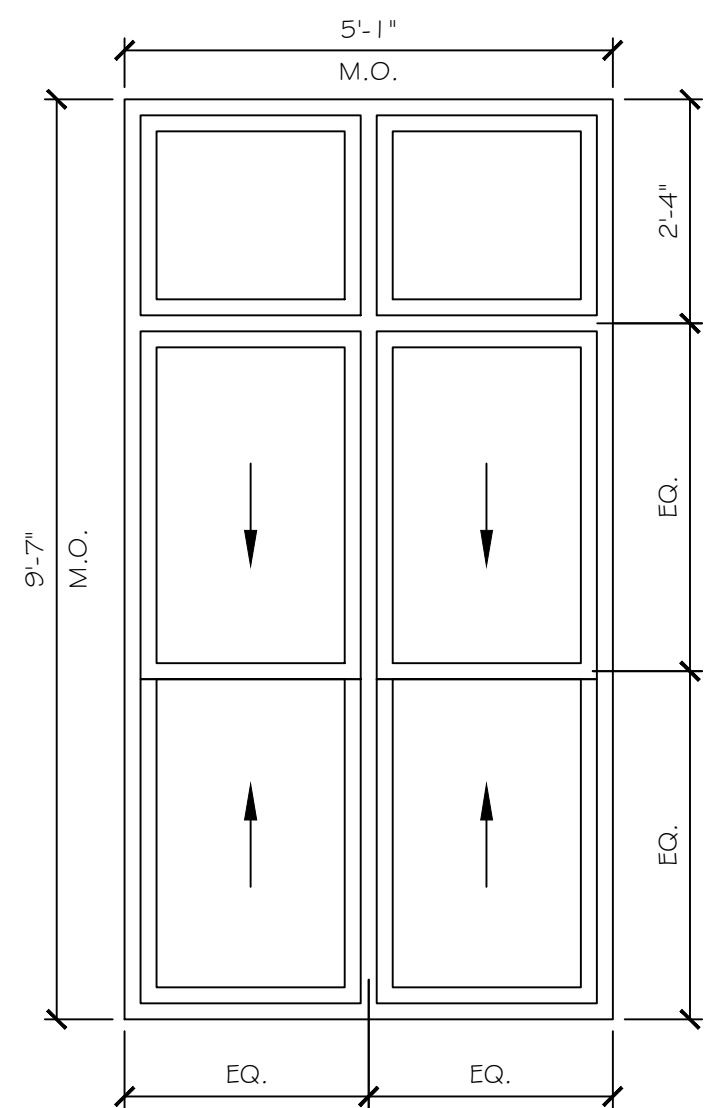
M FIXED TRANSOM  
DOUBLE HUNG  
(\* LOCATIONS w/ OBSCURE I.G.)



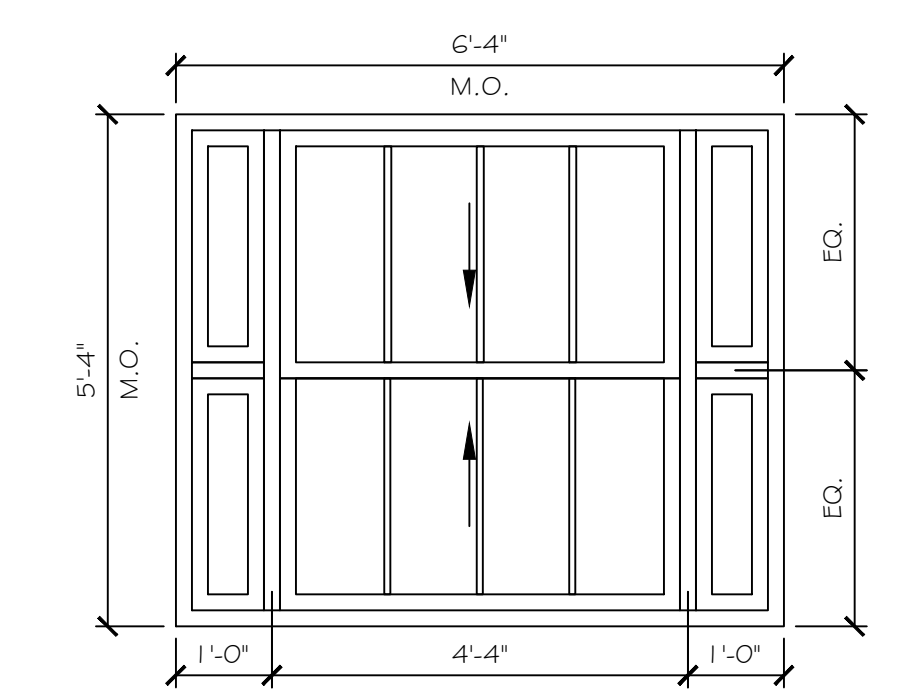
N FIXED TRANSOM  
DOUBLE HUNG  
w/ FIXED SIDELITES



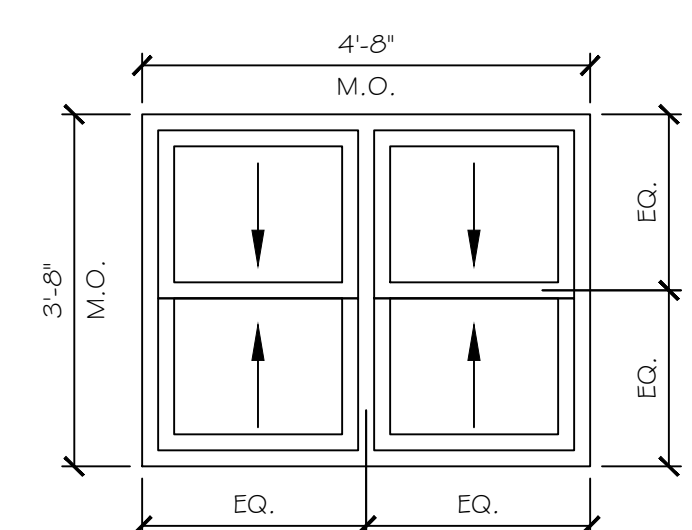
O CASEMENT  
(OBSCURE I.G.)



P FIXED TRANSOM  
DOUBLE HUNG



Q DOUBLE HUNG  
w/ FIXED SIDELITES



R DOUBLE HUNG  
(\* LOCATIONS w/ OBSCURE I.G.)