

REVISIONS

DRAWING NAME

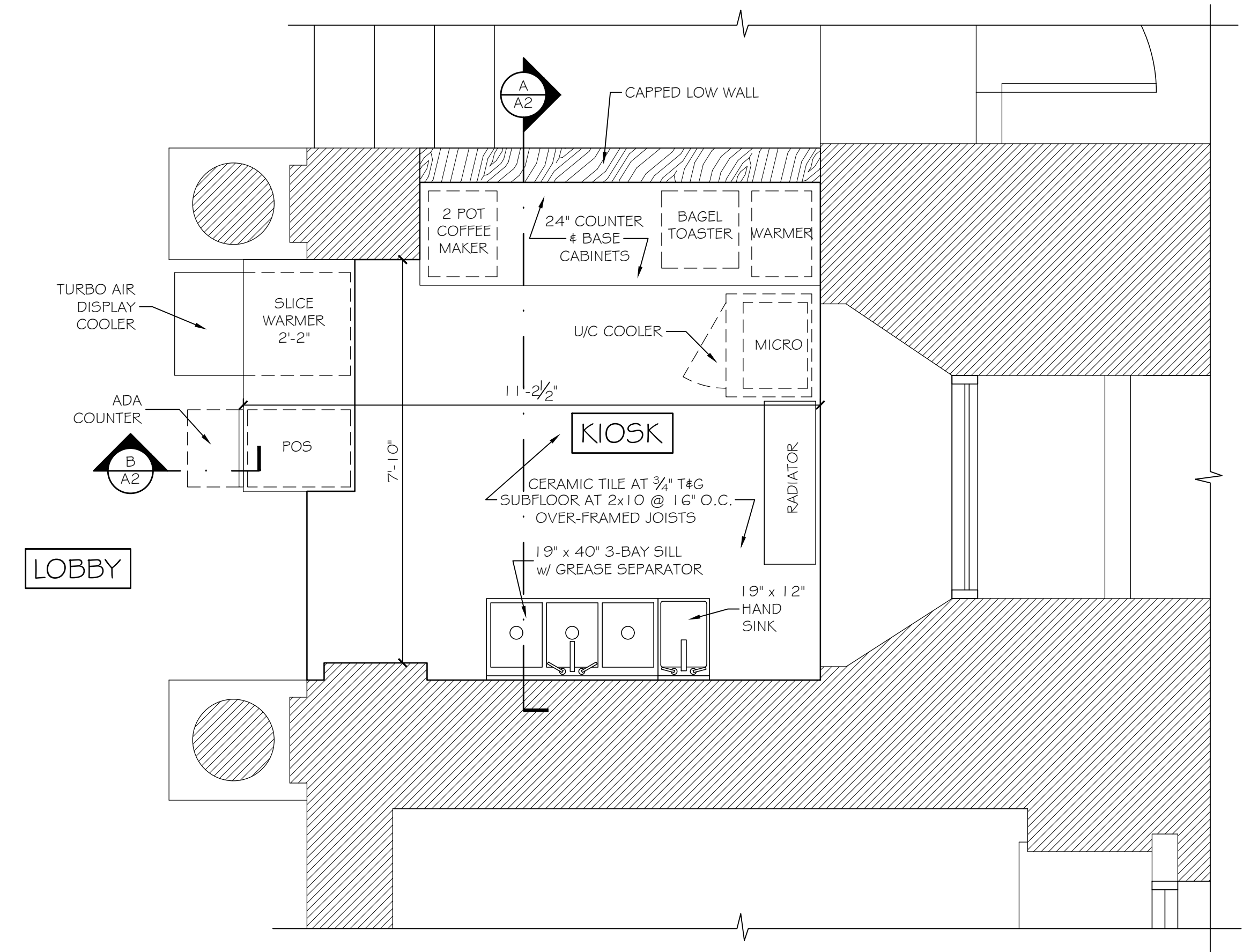
HISTORIC EXTERIOR WINDOWS
CUMBERLAND COUNTY COURTHOUSE
205 NEWBURY STREET
PORTLAND, MAINE 04101
[CD# 028F001001]

SHEET

KIOSK PLAN
&
DETAILS

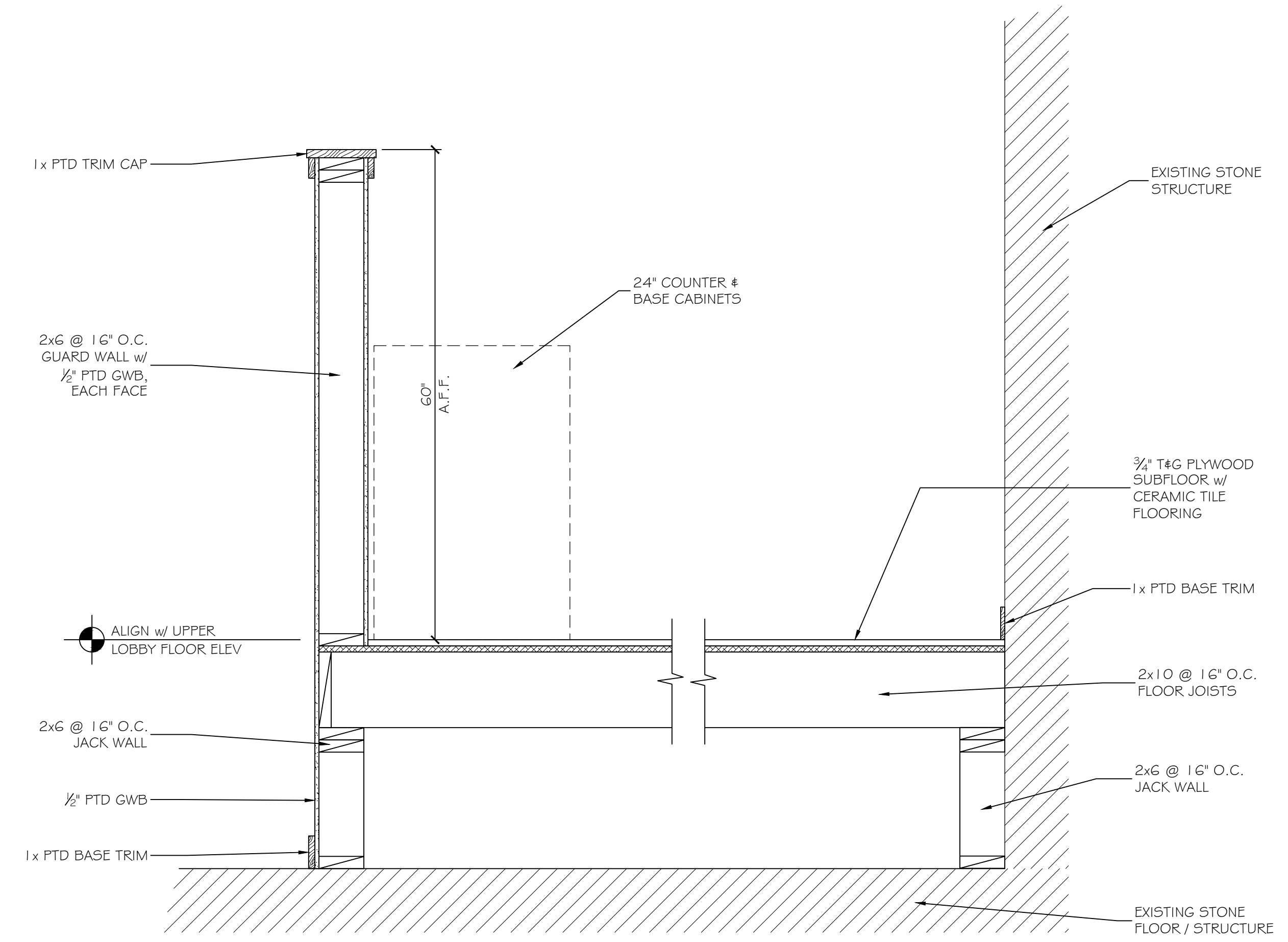
DATE
6 NOV '17
SCALE
AS NOTED
DRAWN
MFH/mgk
JOB NO.
171106
SHEET

A-2
COPYRIGHT
REPRODUCTION OR REV. OF THIS
DOCUMENT WITHOUT WRITTEN
PERMISSION FROM GRANT HAYS
ASSOCIATES IS PROHIBITED.

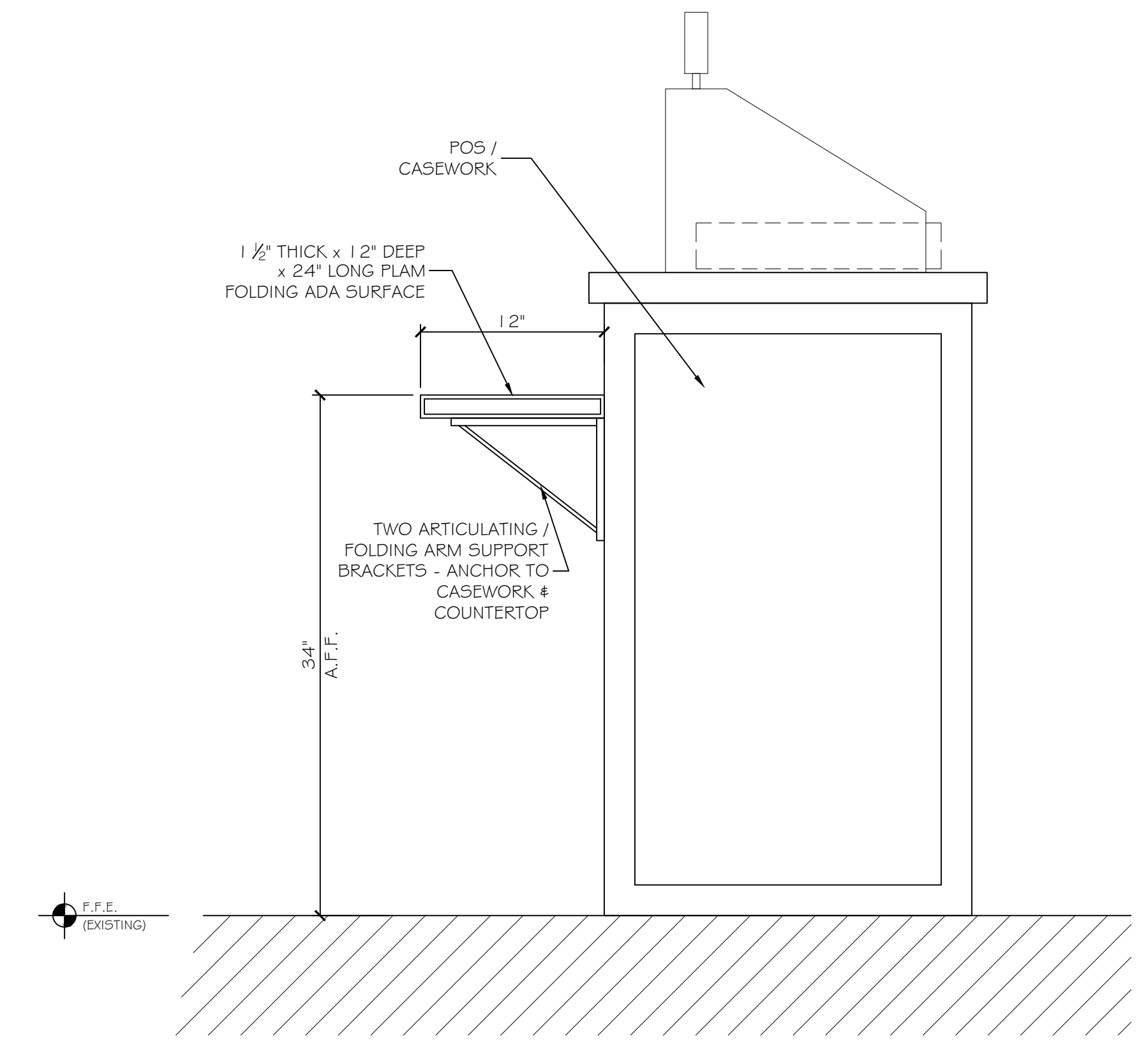


KIOSK PLAN
SCALE: 1/2" = 1'-0"

FEDERAL STREET



A FRAMING SECTION
SCALE: 1" = 1'-0"



B ADA TRANSACTION COUNTER
SCALE: 1 1/2" = 1'-0"