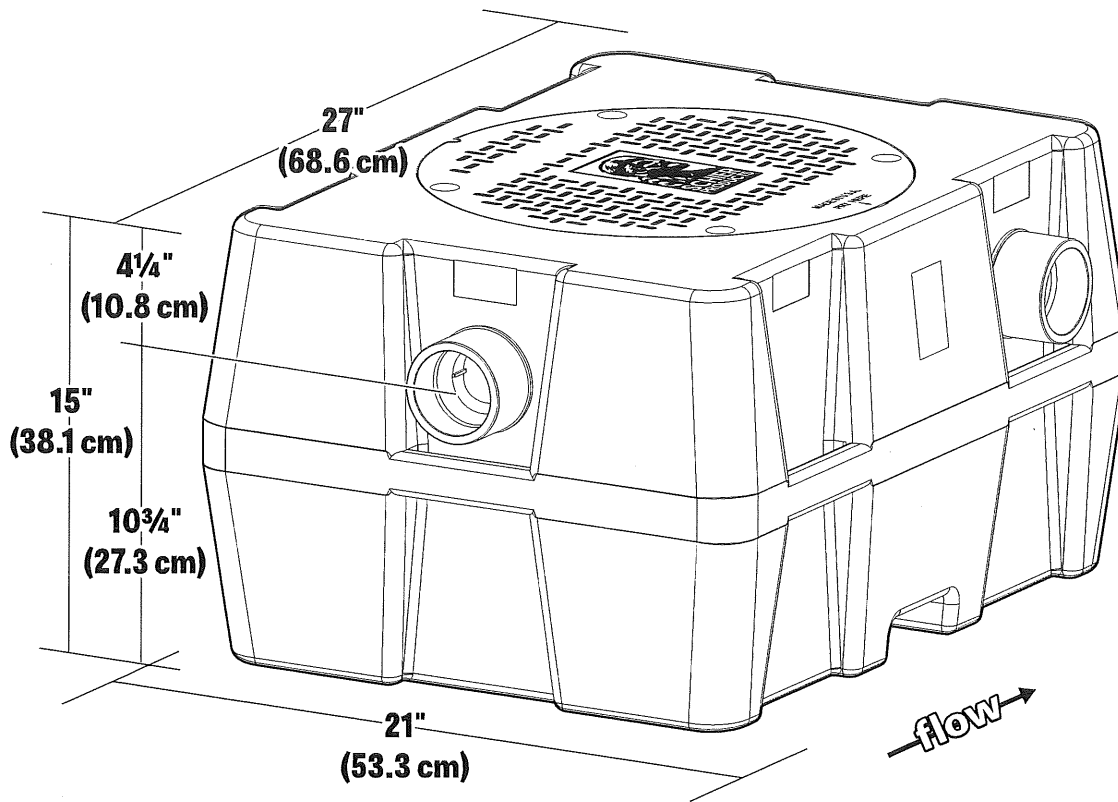


GB-25

Great Basin GREASE INTERCEPTOR TECHNICAL DATA

Submittal | Specifications | Installation | Application Specific Details



SUBMITTAL

STANDARD: 3" plain end inlet/outlet | Capacities - Liquid: 22 gal.; Grease: 75 lbs. (10.4 gal.); Solids: 6.4 gal.
Light Duty, bolted, gas/water tight polyethylene covers. (450 lbs. when direct buried, 2500 lbs. when using the SR-16 Riser)

OPTIONS:

- 2" Plain End Inlet/Outlet
- 2" Male Thread Inlet/Outlet
- 3" Male Thread Inlet/Outlet
- Pumpout Port (Small)

TeleGlide Risers

- SR16** >2-1/8" - 16"
- CC16** >2-1/8" - 16" with Integrated Membrane Clamping Collar Kit

APPROVAL:

Signature:
Date:
Company:
Specifying Engineer:
Engineering Firm:



SCHIER
LIFETIME GUARANTEED
GREASE INTERCEPTORS

MODEL NUMBER:
GB-25

DESCRIPTION: Polyethylene Grease Interceptor
25 GPM - 22 gallon capacity

PART #: 4015-001-XX

DWG BY: C. O'Boyle

DATE: 10/08/2015

REV: 0 / / 201

ECO:

SPECIFICATIONS

NOTES

1. 3" plain end inlet/outlet
2. Unit weight - w/standard covers: 31 lbs.
3. Maximum operating temperature: 190° F continuous
4. Capacities - Liquid: 22 gal.; Grease: 75 lbs. (10.4 gal.); Solids: 6.4 gal.
5. Built-in Flow control.
6. For gravity drainage applications only.
7. Do not use for pressure applications.
8. Cover placement allows full access to tank for proper maintenance.
9. Vent not required unless per local code.
10. Engineered inlet and outlet diffusers are removable to inspect/clean piping.
11. Integral air relief / Anti-siphon / Sampling access.

DIFFUSION FLOW TECHNOLOGY

The inlet diffuser splits influent into three paths, creating laminar flow and utilizing the entire liquid volume of the tank for efficient grease separation. The calibrated openings greatly reduce effluent turbulence. The effluent enters the main chamber without disturbing the existing grease or sediment layers.

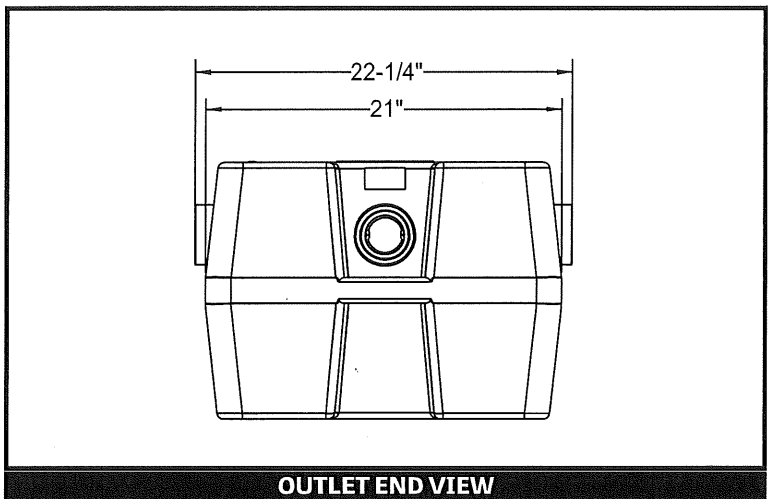
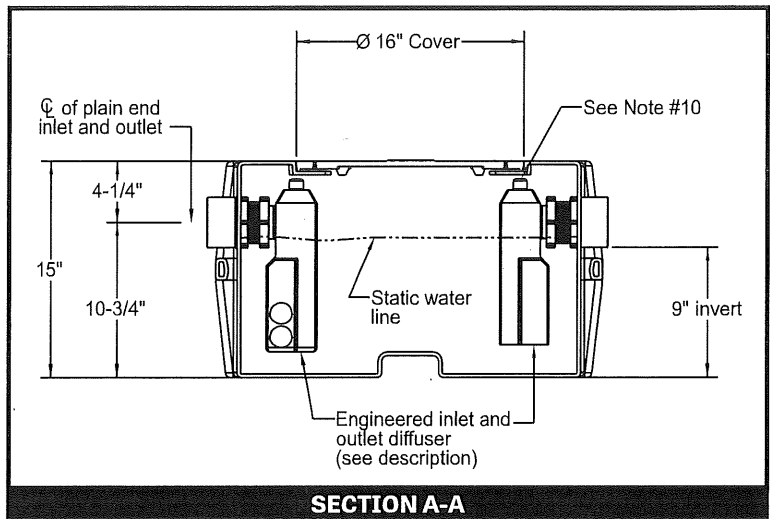
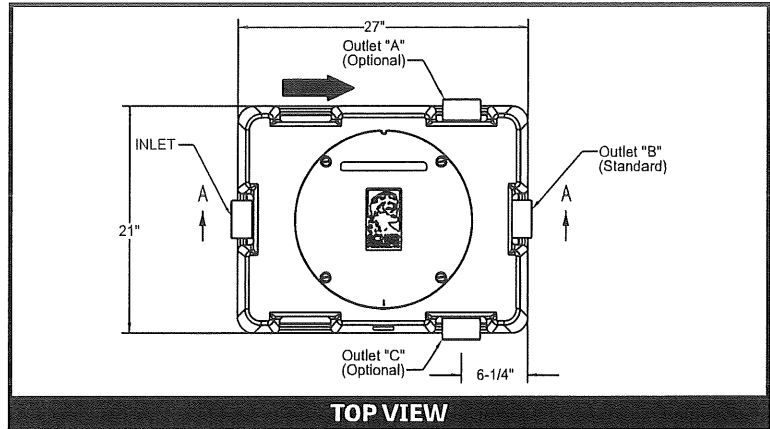
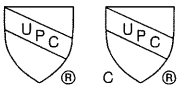
The integral air relief / anti-siphon in the top of the outlet diffuser allows pressure stabilization within the unit during operation. The bottom of the outlet diffuser allows only effluent which is free of grease to exit the tank. It can easily be attached to any of the three outlets provided to ease jobsite piping layouts.


ENGINEER SPECIFICATION GUIDE

Schier Great Basin™ grease interceptor model # GB-25 shall be lifetime guaranteed and made in USA of seamless, rotationally-molded polyethylene. Interceptor shall be furnished for above or below grade installation. Interceptor shall be certified to ASME A112.14.3 (type C) and CSA B481.1, with field adjustable riser system, built-in flow control, built-in test caps and three outlet options. Interceptor flow rate shall be 25 GPM. Interceptor grease capacity shall be 75 lbs. Cover shall provide water/gas-tight seal and have minimum 450 lbs. load capacity.

CERTIFIED PERFORMANCE

Great Basin hydromechanical grease interceptors are third party performance-tested and listed by IAPMO to ASME #A112.14.3 and CSA B481.1 grease interceptor standards and greatly exceed requirements for grease separation and storage. They are compliant to the Uniform Plumbing Code and the International Plumbing Code.



 SCHIER LIFETIME GUARANTEED GREASE INTERCEPTORS	MODEL NUMBER: GB-25	DESCRIPTION: Polyethylene Grease Interceptor 25 GPM - 22 gallon capacity		
	PART #: 4015-001-XX	DWG BY: C. O'Boyle	DATE: 10/08/2015	REV: 0 . _/_/_201_

9500 Woodend Road | Edwardsville, KS 66111 | Tel: 913-951-3300 | Fax: 913-951-3399 | www.schierproducts.com © Copyright 2015 Schier, All Rights Reserved

INSTALLATION (1 of 3)

WARNING! DO NOT AIR TEST UNIT OR TELEGLIDE RISER SYSTEM! Doing so may result in property damage, personal injury or death.

LEAK/SEAL TESTING

Cap/plug all base unit plumbing connections and remove covers. **For base unit testing**, fill with water to just above the highest connection. **For riser system testing** (if required) fill with water to finished grade level. **CAUTION: Risers must be supported before filling with water to prevent tipping. Filled risers will be heavy.** Inspect unit, connections and all gaskets and clamps (if applicable) for leaks. Check water level at specific time intervals per local code.

GENERAL INSTALLATION INSTRUCTIONS

Schier grease interceptors are rated and manufactured with an internal flow control system. They do not require an external flow control system or air intake vent. Schier grease interceptors are not to be installed in any other manner except as shown. Consult local codes for separate trapping requirements, cleanout locations and additional installation instructions.

1. Set unit on level solid surface as close as possible to fixtures being served.
2. Connect outlet diffuser to the desired outlet (A,B,C). Unit is shipped with the outlet diffuser in location B and sealing caps on locations A and C.
3. Connect inlet and outlet drainage lines to unit. Mechanically couple pipes to unit. **Do not solvent weld.**

NOTE: Do not install below a hydrostatic slab.

INTERIOR BELOW GRADE INSTALLATION INSTRUCTIONS

EXCAVATION

1. Install unit(s) as close as possible to fixtures being serviced.
2. Width and length of excavation shall be a minimum of 6" greater than the tank on all sides and depth shall be 6" deeper than tank bottom.
3. Set the tank level on a 6" deep layer of well-packed crushed aggregate material (approximately 3/4" size rock or sand with no fines) and connect waste piping per General Installation Instructions.

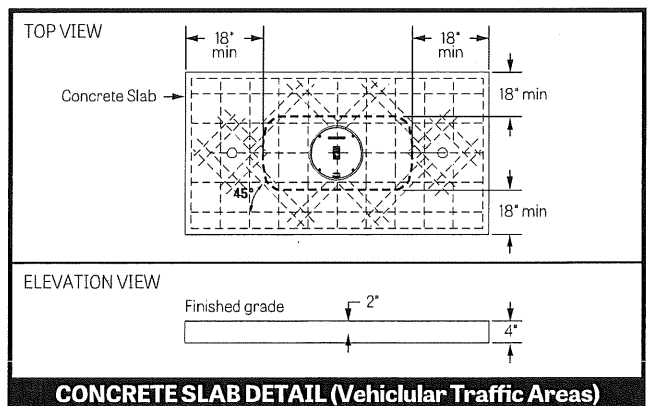
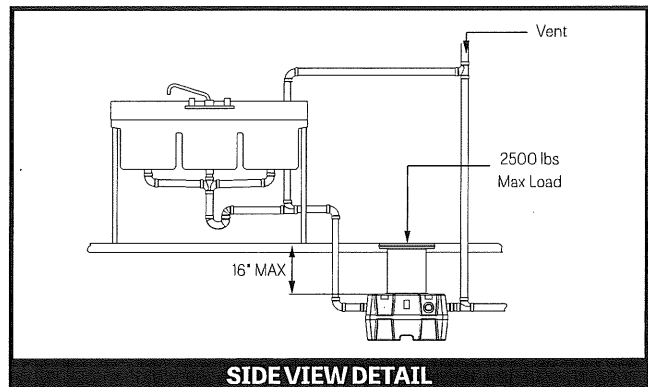
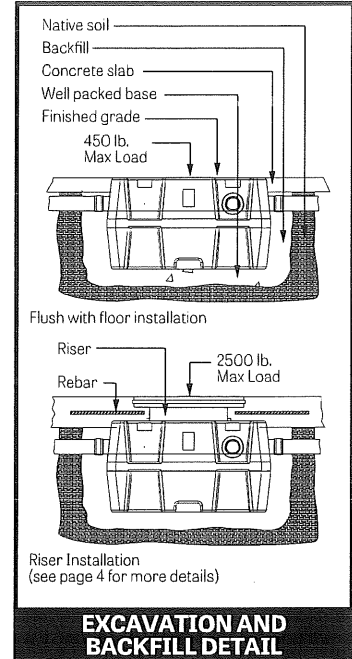
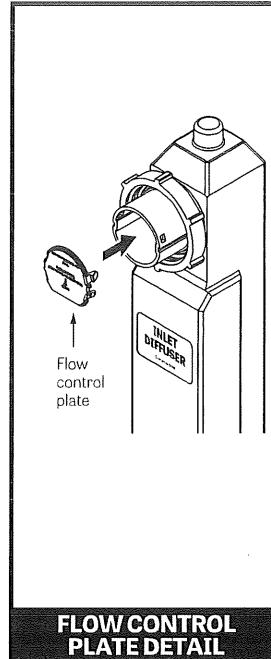
BACKFILL

1. Preparation of sub grade per geotech recommendations.
2. Stabilize and compact sub grade to 95% proctor.
3. Fill unit with water before backfilling to stabilize unit and prevent float-out during backfilling. Secure covers and risers (if necessary) to the unit.
4. Backfill evenly around tank using crushed aggregate (approximately 3/4" size rock or sand, with no fines). **Do not compact backfill around unit.**

FINISHED CONCRETE SLAB

Slab must extend 18" minimum outside the unit footprint.

Pedestrian traffic or greenspace areas: 4" Thick reinforced concrete slab required.



SCHIER
LIFETIME GUARANTEED
GREASE INTERCEPTORS

MODEL NUMBER:
GB-25

DESCRIPTION: Polyethylene Grease Interceptor
25 GPM - 22 gallon capacity

PART #: 4015-001-XX

DWG BY: C. O'Boyle

DATE: 10/08/2015

REV: 0 / / 201_

ECO:

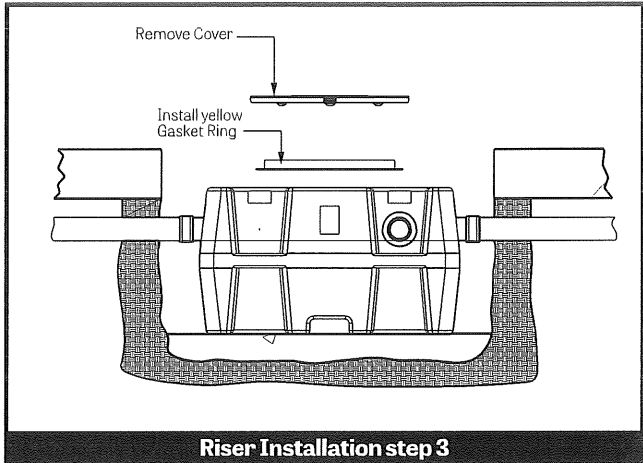
INSTALLATION (2 of 3)

TELEGLIDE RISER (16 SERIES) INSTALLATION GUIDELINES

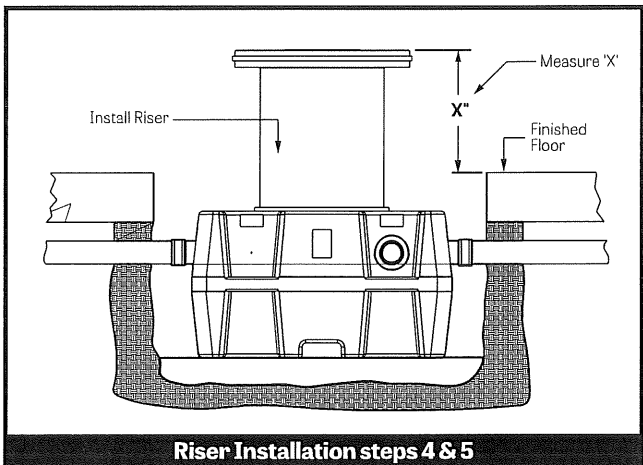
Tools needed: Silver marker (included), tape measure, and Phillips head screw driver. Jigsaw, circular saw or reciprocating saw will be needed if risers need to be cut.

Riser Assembly Instructions/Steps

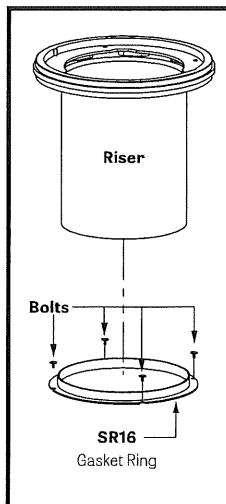
1. If unit is to be buried, you will need an SR16 Riser Kit (sold separately). The 16 Series TeleGlide Riser System for these models allows riser heights from 2-1/8" above standard unit up to 16". Only ONE riser may be used per base unit to allow for sufficient access to internal serviceable components.
2. If more than 16" of riser height is needed, you will need to adjust jobsite requirements OR purchase the next available model with a 24 Series TeleGlide Riser System which allows for taller riser heights.
3. Once unit is set so that pipe connections line up with jobsite piping, remove cover from the unit. Fasten yellow gasketed SR16 Gasket Ring to unit with hardware provided in separate riser kit. Ring flange with 4 bolt notches faces down against the unit.
4. Push riser into ring until it stops (about 1 inch).
5. Measure the distance from the top edge of the riser down to the finished floor. Make sure to account for any future tile work in your measurement.
6. Remove the riser from the ring. Take measurements from step 5 and measure from the BOTTOM of the riser upwards towards the top of the riser. Mark a line around the riser at this level and cut with a handsaw, jigsaw, or reciprocating saw. Remove debris from the cutting edge with a scraper, utility knife, or leather gloves.
7. Place the cut riser back into the ring on the unit until it stops. Fasten cover from unit onto the top of the riser with the same four bolts that were connecting it to the top of the unit. Unit is ready to be water tested and backfilled. Install finished floor.



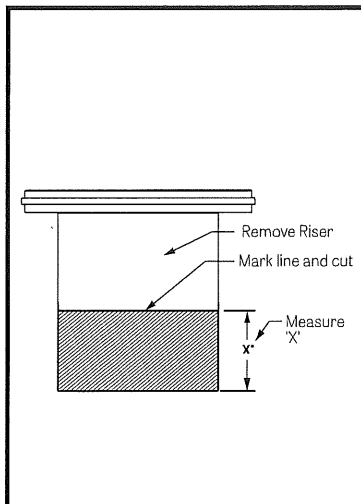
Riser Installation step 3



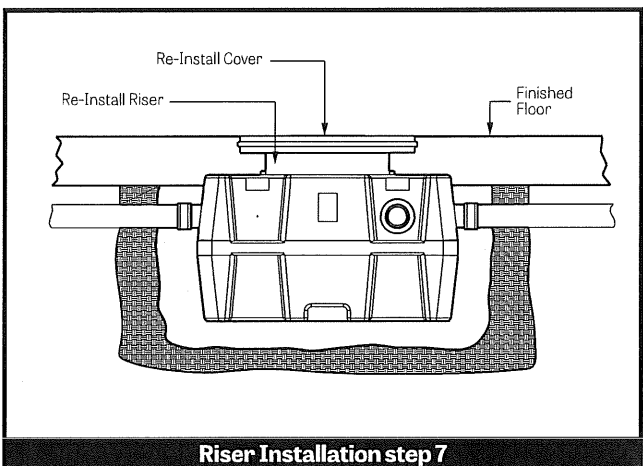
Riser Installation steps 4 & 5



SR16 Riser Kit
(Sold Separately)



Riser Installation step 6



Riser Installation step 7



SCHIER
LIFETIME GUARANTEED
GREASE INTERCEPTORS

MODEL NUMBER:
GB-25

DESCRIPTION: Polyethylene Grease Interceptor
25 GPM - 22 gallon capacity

PART #: 4015-001-XX

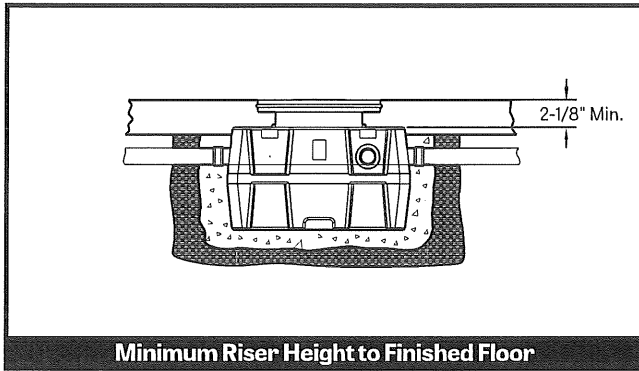
DWG BY: C. O'Boyle

DATE: 10/08/2015

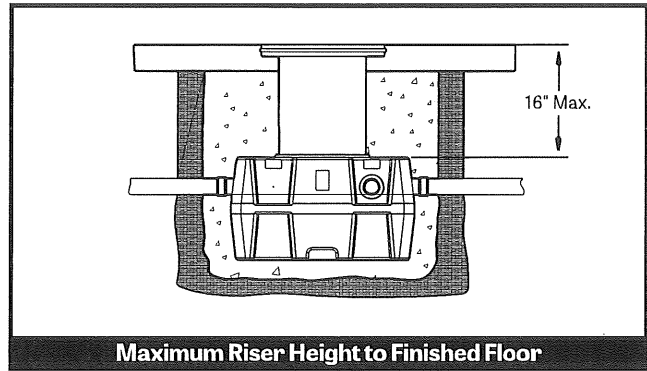
REV: 0 / / 201_

ECO:

RISER HEIGHT DETAILS

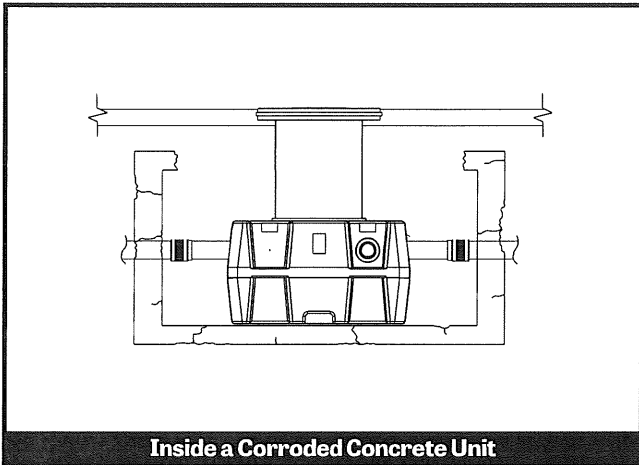


Minimum Riser Height to Finished Floor

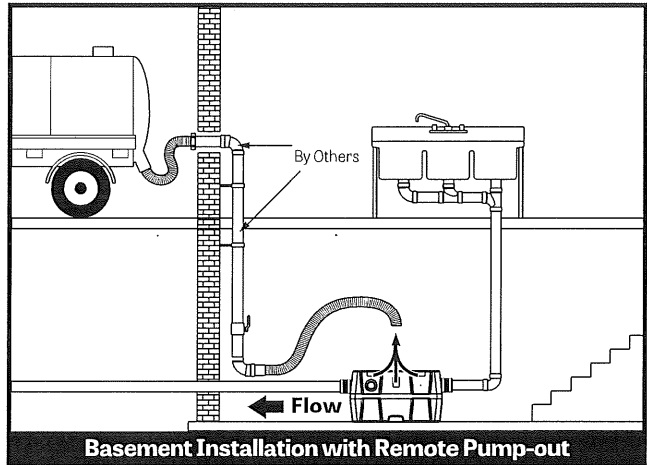


Maximum Riser Height to Finished Floor

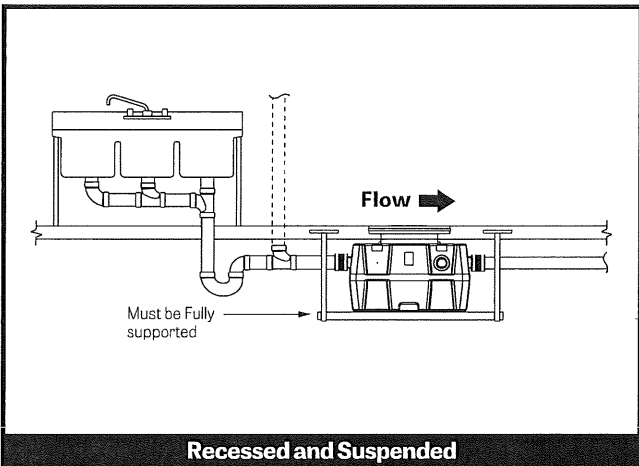
APPLICATION SPECIFIC DETAILS



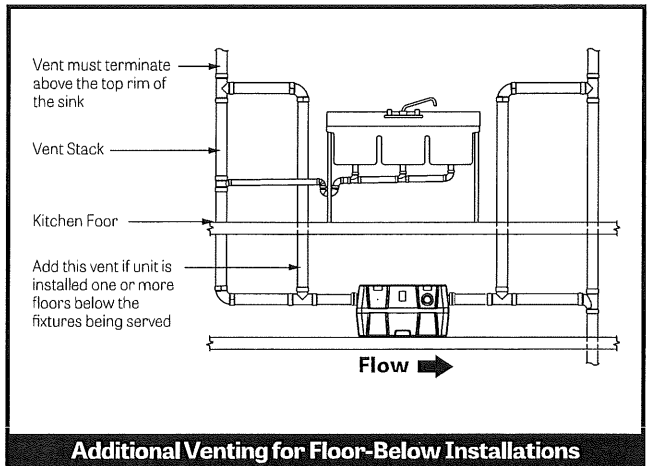
Inside a Corroded Concrete Unit



Basement Installation with Remote Pump-out



Recessed and Suspended



Additional Venting for Floor-Below Installations



SCHIER
LIFETIME GUARANTEED
GREASE INTERCEPTORS

MODEL NUMBER:
GB-25

DESCRIPTION: Polyethylene Grease Interceptor
25 GPM - 22 gallon capacity

PART #: 4015-001-XX

DWG BY: C. O'Boyle

DATE: 10/08/2015

REV: 0 / / 201_

ECO: