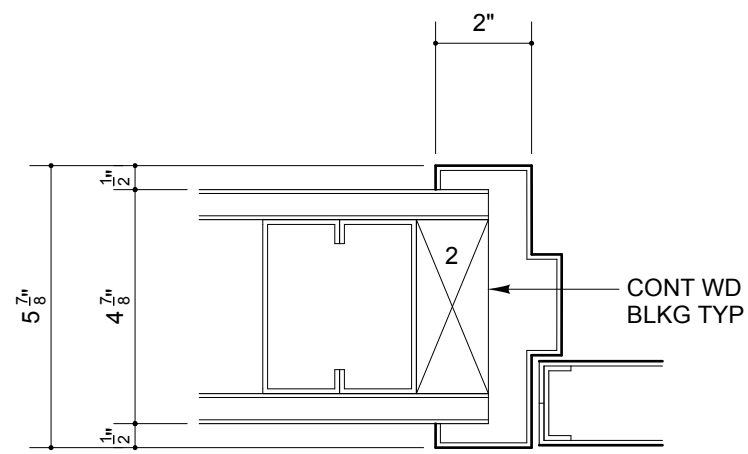
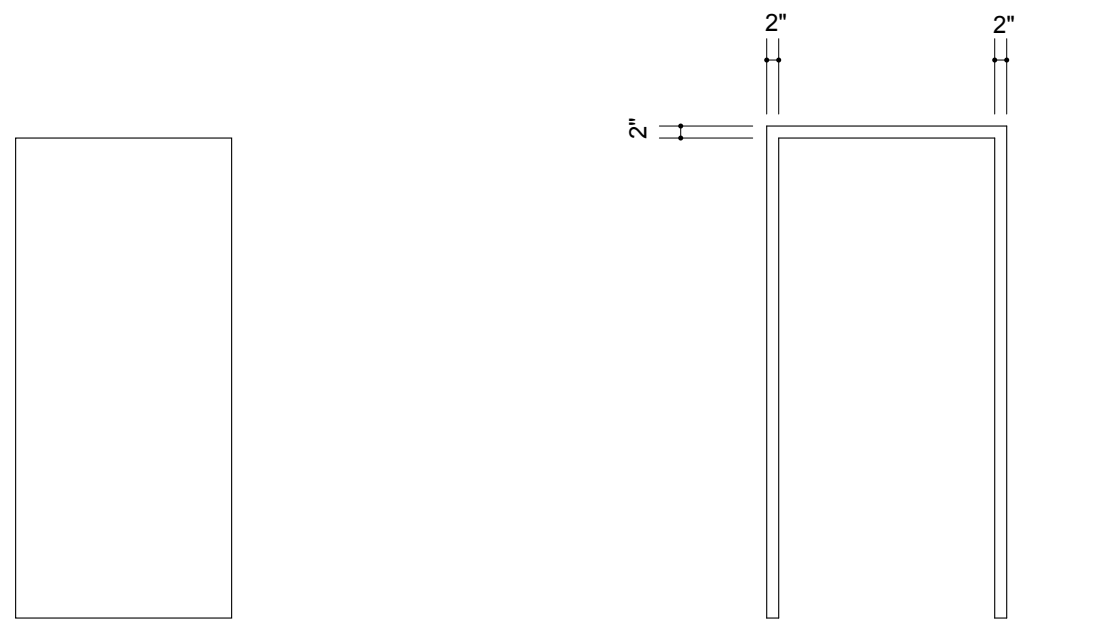


T 1  
6" = 1'-0"



H 1 J 1  
3" = 1'-0"



D1 • PLAIN SLICED WHITE OAK  
• CLEAR FINISH  
• LIFETIME WARRANTY

F1 WELDED HOLLOW METAL

**DOOR TYPES**

3/8" = 1' - 0"

**FRAME TYPES**

3/8" = 1' - 0"

**DOOR AND FRAME SCHEDULE**

DOOR NO.	SIZE	THICK	DOOR			FRAME						HARDWARE	LABEL	REMARKS
			MATL	FINISH	TYPE	MATL	FINISH	TYPE	JAMB	HEAD	SILL			
233	3' 0" x 6' 8"	1 3/4"	WD	NAT	D1	HM	PTD	F1	J1	H1	T1	HW 1	-	
234A	3' 0" x 6' 8"	1 3/4"	WD	NAT	D1	HM	PTD	F1	J1	H1	T1	HW 1	-	
234B	3' 0" x 6' 8"	1 3/4"	WD	NAT	D1	HM	PTD	F1	J1	H1	-	HW 2	-	
235	3' 0" x 6' 8"	1 3/4"	WD	NAT	D1	HM	PTD	F1	J1	H1	T1	HW 1	-	

**MILLWORK NOTES**

HPDL 0.050 HORIZ GRADE PLASTIC LAMINATE  
CHARTER OR EQUAL 3MM PVC EDGING TO  
MATCH HPDL AT DOOR AND DRAWER EDGES

LPL PREFINISHED MELAMINE PANEL FOR  
CABINET INTERIORS

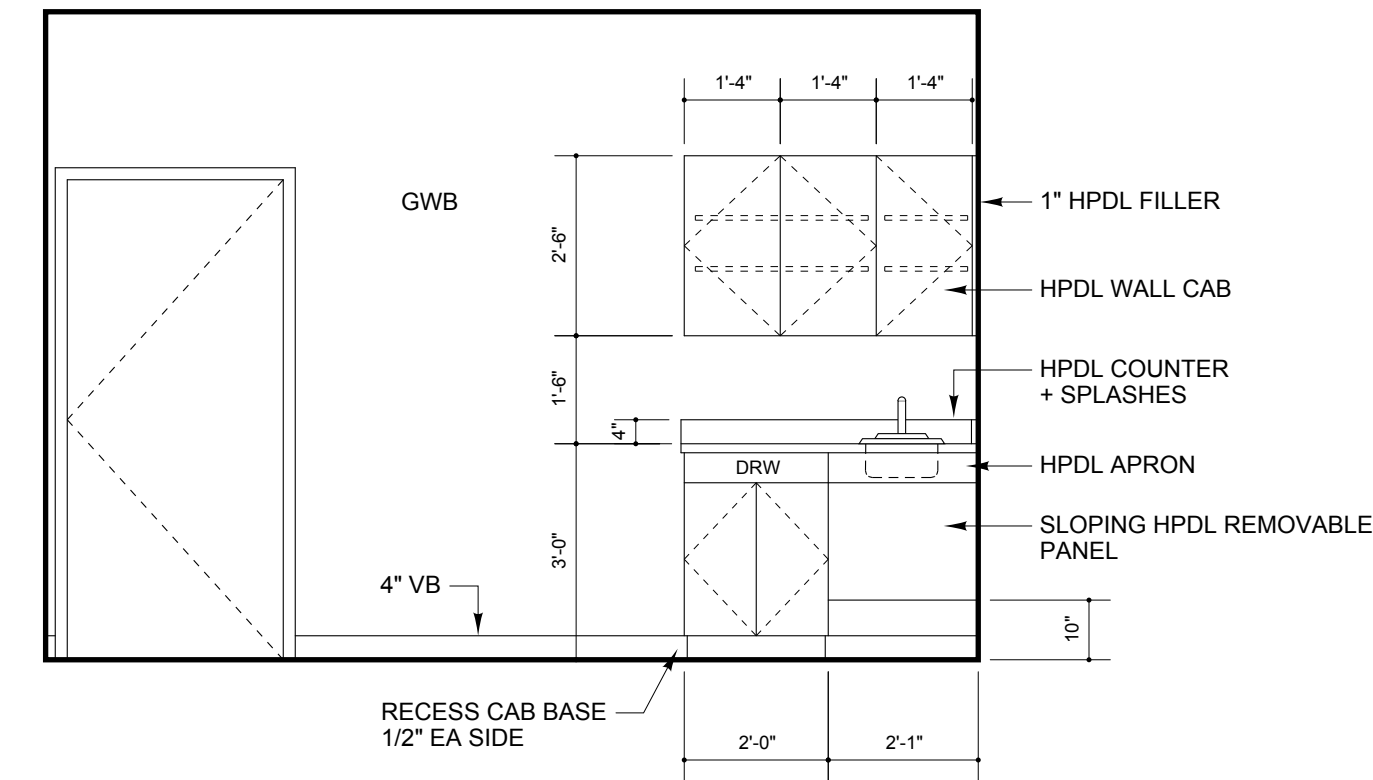
HINGES EUROPEAN CONCEALED

PULLS 3" ALUM WIRE PULLS

**HARDWARE SETS**

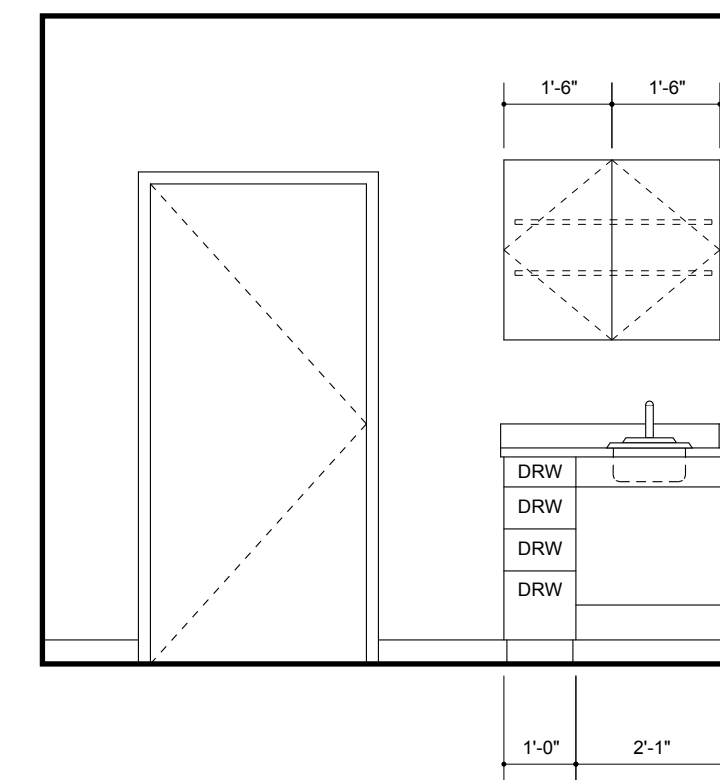
HW 1 • SALVAGED HINGES  
• SALVAGED CYLINDRICAL LOCKSET  
• SALVAGED FLOOR STOP

HW 2 • BALL BEARING HINGES  
• LOCKSET 10 LINE TO MATCH EXISTING  
• ENTRY FUNCTION TO MATCH EXISTING  
• CYLINDER + KEYING  
• FLOOR STOP



**EXAM ROOM ELEVATION**

3/8" = 1' - 0"



**EXAM ROOM ELEVATION**

3/8" = 1' - 0"



**EXAM ROOMS RENOVATIONS**  
Portland Family Practice  
Maine Health  
Portland, Maine

**INTERIOR ELEVATIONS / DOOR SCHEDULE**

WINTON SCOTT ARCHITECTS  
5 Milk Street  
Portland, Maine 04101  
Scale: AS SHOWN

**A 3**

5 | 12 | 17