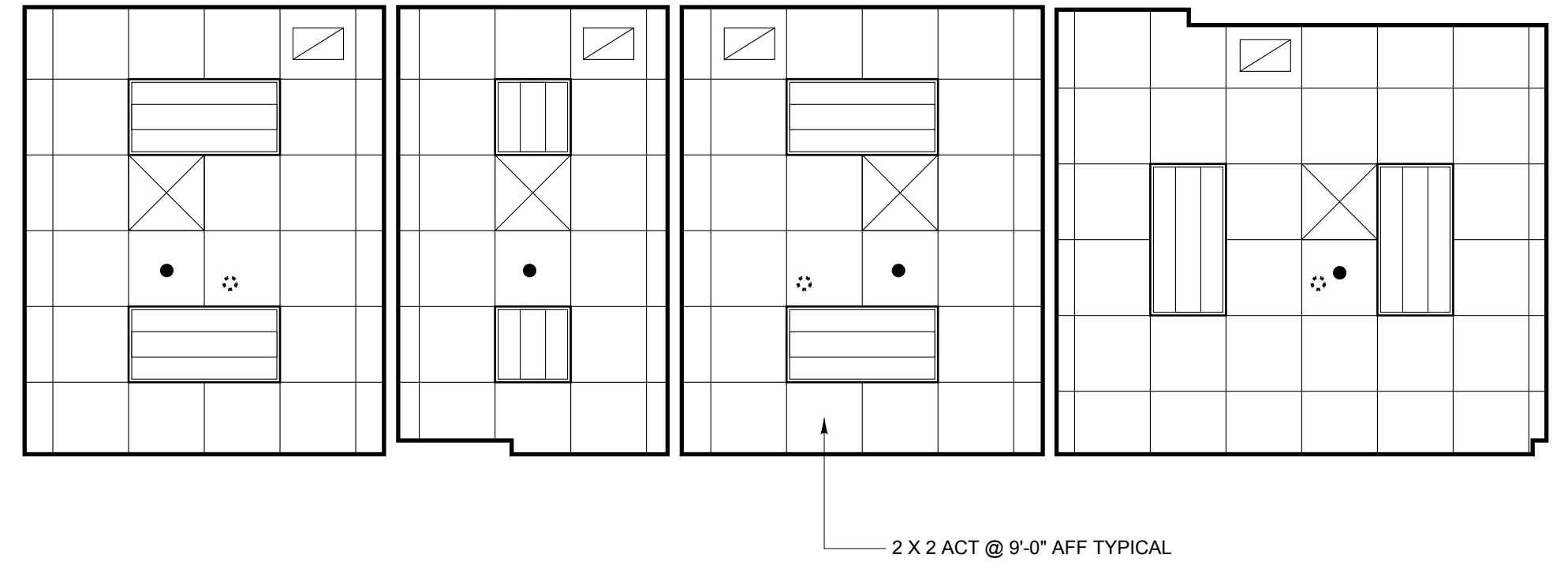


1 TYPICAL PARTITION
 PARTITION TYPE 1A: PROVIDE AS INFILL PATCH FROM FLOOR LINE TO +/- 8' AFF

PARTITION TYPES



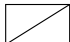
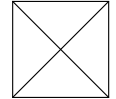
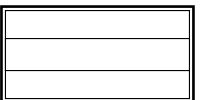
1 1/2" = 1' - 0"

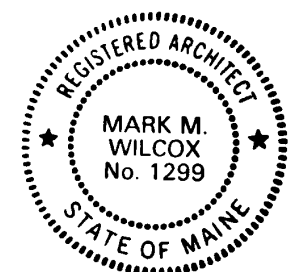


REFLECTED CEILING PLAN

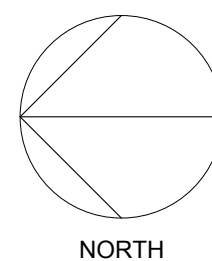
1/4" = 1' - 0"

LEGEND

-  REMOVE EXIST SPRINKLER HEAD
-  PROPOSED SPRINKLER HEAD
-  RETURN AIR GRILLE
-  SUPPLY AIR GRILLE
-  2 x 4 OR 2 x 2 RECESSED LIGHT FIXTURE



Mark M. Wilcox



EXAM ROOMS RENOVATIONS
 Portland Family Practice
 Maine Health
 Portland, Maine

REFLECTED CEILING PLAN AND PARTITION TYPES
 WINTON SCOTT ARCHITECTS
 5 Milk Street
 Portland, Maine 04101
 Scale: 1/4" = 1' - 0"
 PRINT ON 16 X 24

A 2

5 | 12 | 17