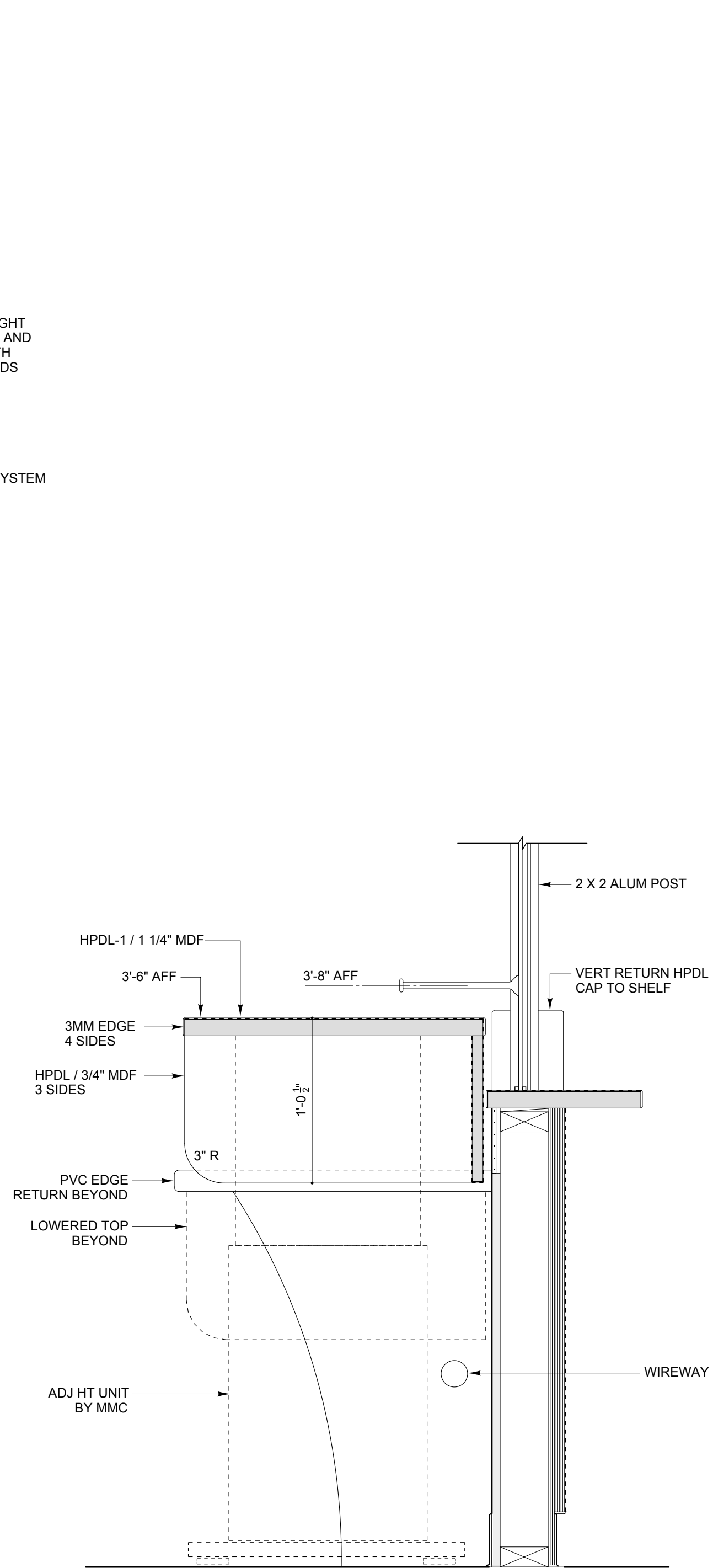
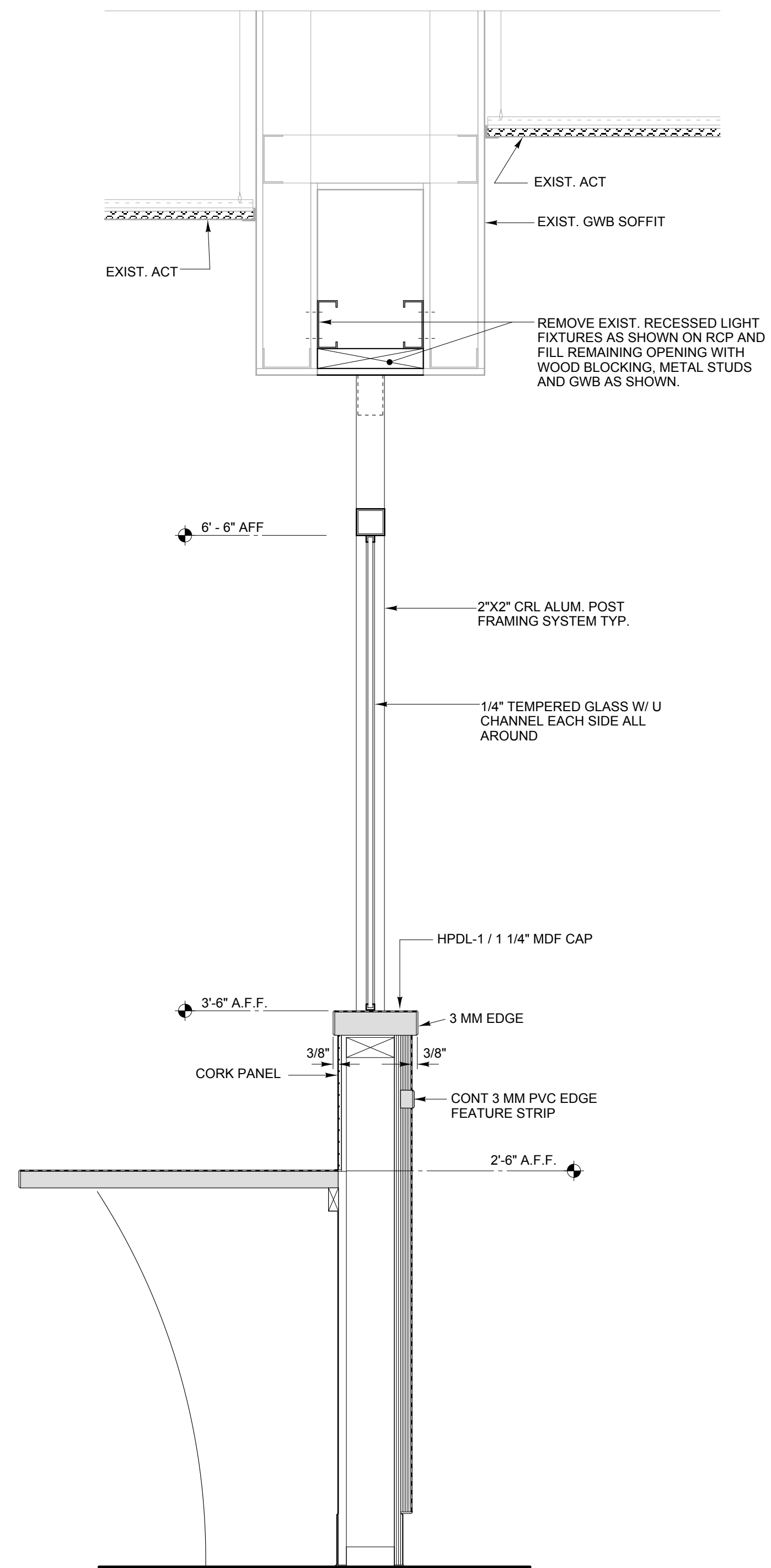


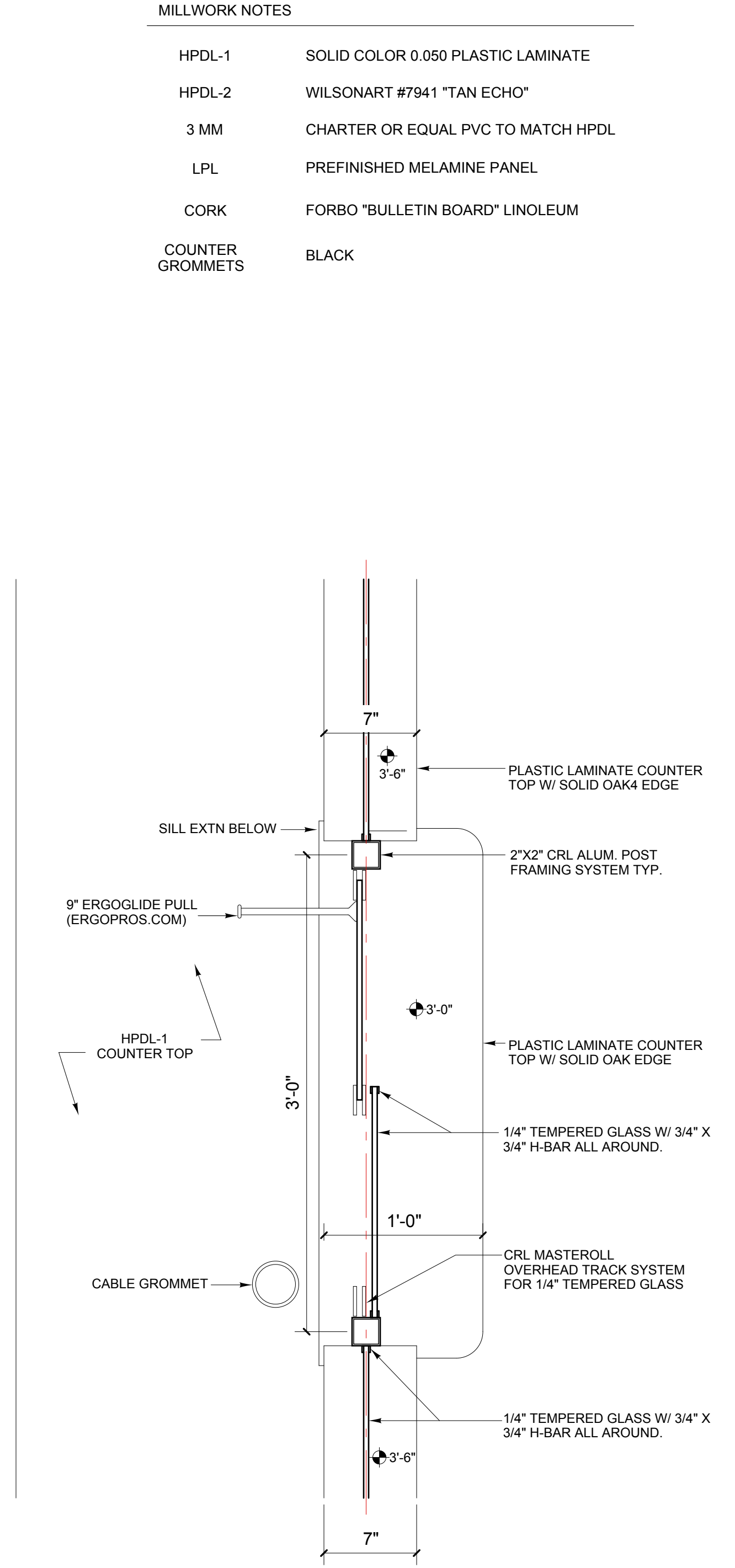
1A SECTION DETAIL RECEPTION COUNTER
SCALE: 1 1/2" = 1'-0"



1B SECTION DETAIL HEIGHT ADJUSTABLE COUNTERTOPS
SCALE: 1 1/2" = 1'-0"



2 SECTION DETAIL RECEPTION COUNTER
SCALE: 1 1/2" = 1'-0"

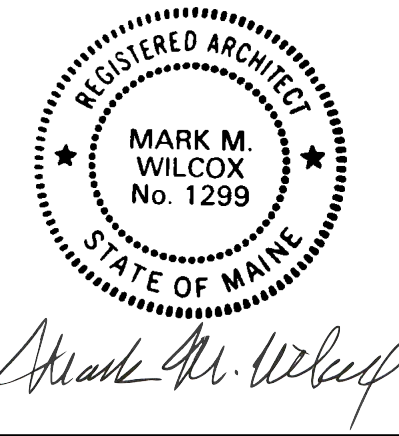


3 PLAN DETAIL RECEPTION COUNTER
SCALE: 1 1/2" = 1'-0"


MILLWORK NOTES

HPDL-1	SOLID COLOR 0.050 PLASTIC LAMINATE
HPDL-2	WILSONART #7941 "TAN ECHO"
3 MM	CHARTER OR EQUAL PVC TO MATCH HPDL
LPL	PREFINISHED MELAMINE PANEL
CORK	FORBO "BULLETIN BOARD" LINOLEUM
COUNTER GROMMETS	BLACK

FIELD VERIFY LOCATIONS OF ERGOSLIDE PULLS AT EACH SLIDING WINDOW WITH OWNER



Architect
Winton Scott Architects
5 Milk Street
Portland, Me 04101
207-774-4811

Reception Areas Renovation

Portland Family Medicine
272 Congress Street
Portland, Maine 04101

Interior Details
Scale: As Shown

A 202

PERMIT SET
May 16, 2016