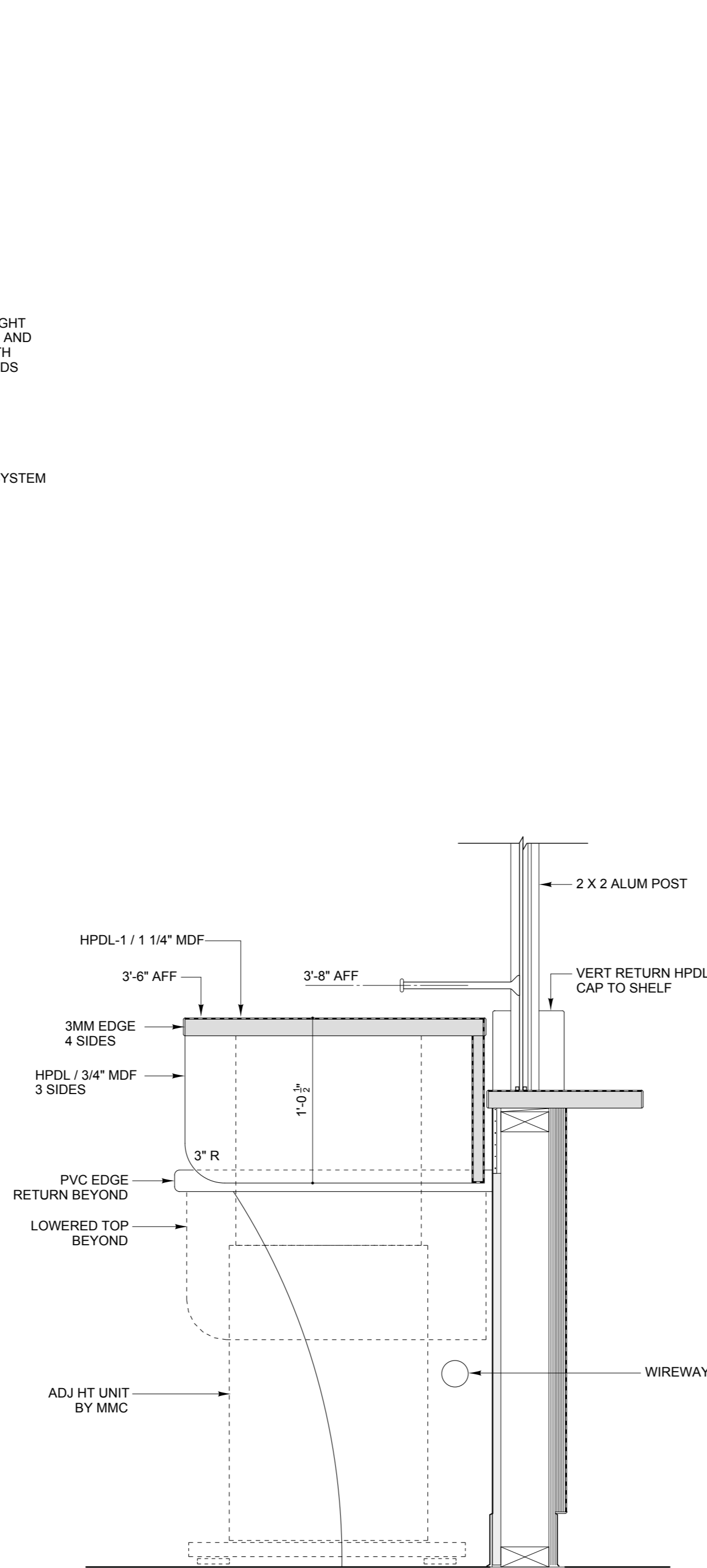
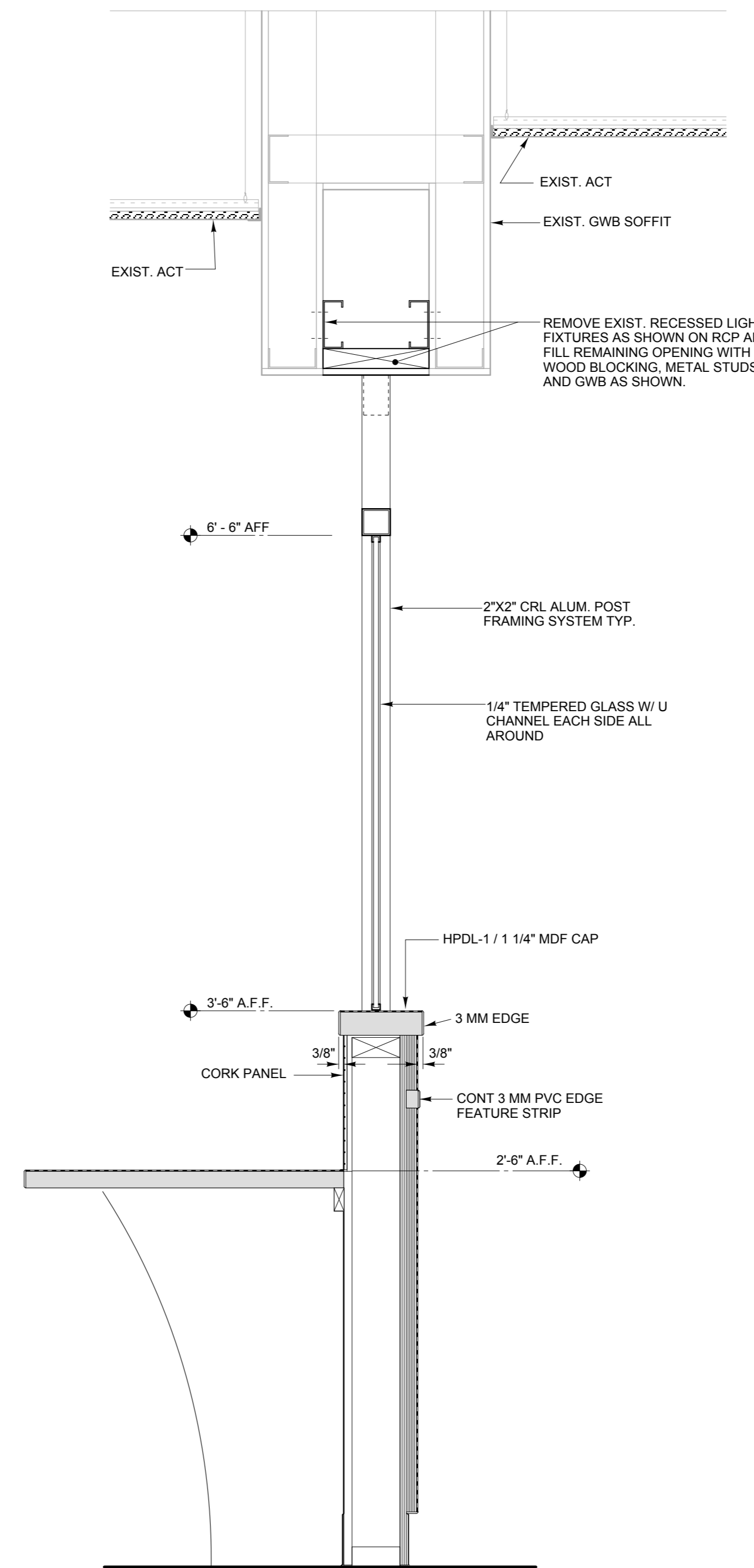


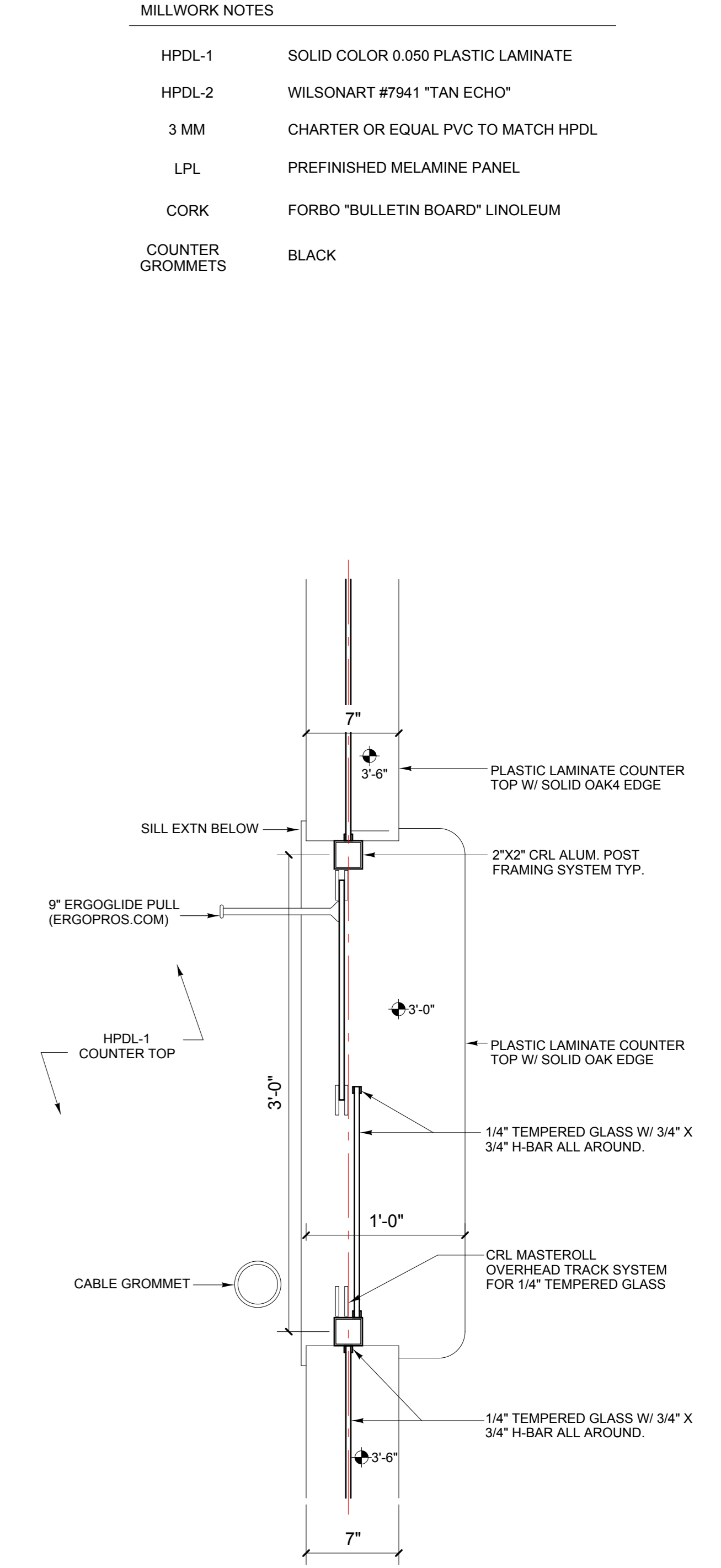
1A SECTION DETAIL RECEPTION COUNTER
SCALE: 1 1/2" = 1'-0"



1B SECTION DETAIL HEIGHT ADJUSTABLE COUNTERTOPS
SCALE: 1 1/2" = 1'-0"



2 SECTION DETAIL RECEPTION COUNTER
SCALE: 1 1/2" = 1'-0"



3 PLAN DETAIL RECEPTION COUNTER
SCALE: 1 1/2" = 1'-0"

MILLWORK NOTES

HPDL-1	SOLID COLOR 0.050 PLASTIC LAMINATE
HPDL-2	WILSONART #7941 "TAN ECHO"
3 MM	CHARTER OR EQUAL PVC TO MATCH HPDL
LPL	PREFINISHED MELAMINE PANEL
CORK	FORBO "BULLETIN BOARD" LINOLEUM
COUNTER GROMMETS	BLACK

FIELD VERIFY LOCATIONS OF ERGOSLIDE PULLS AT EACH SLIDING WINDOW WITH OWNER

<p>Architect Winton Scott Architects 5 Milk Street Portland, Me 04101 207-774-4811</p>	<p>Reception Areas Renovation</p> <p>Portland Family Medicine 272 Congress Street Portland, Maine 04101</p>	<p>Interior Details</p> <p>Scale: As Shown</p>	<p>A 202</p>