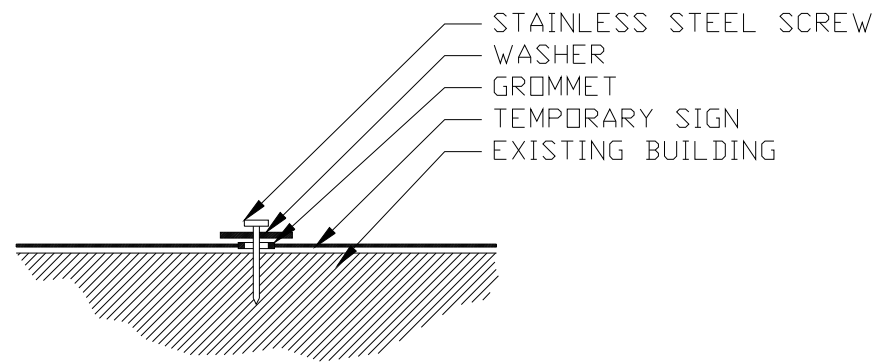
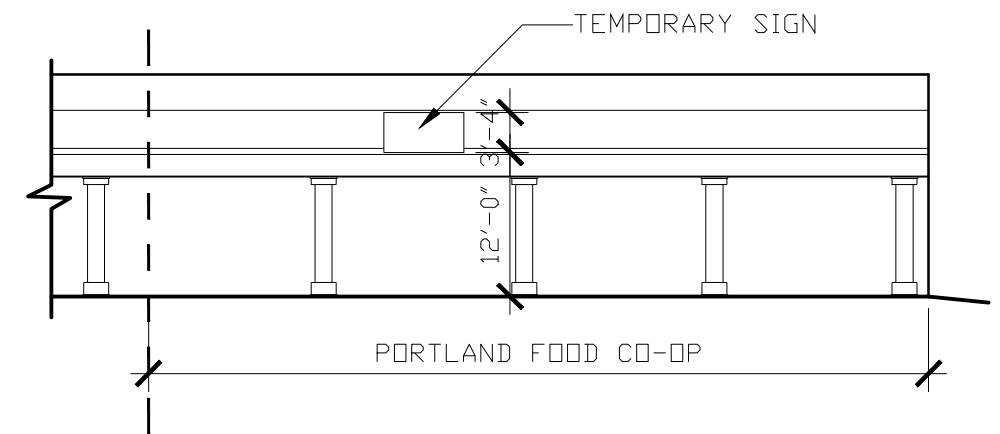




1 TEMP SIGN SKETCH PLAN  
SCALE: 1/16" = 1'-0"



2 TEMP SIGN ATTACHMENT, TYP  
SCALE: 3" = 1'-0"



3 TEMP SIGN SKETCH ELEVATION  
SCALE: 1/16" = 1'-0"

SK1 TEMPORARY SIGN SKETCH PLAN, ELEVATION, AND DETAIL

2014.06.16



# Portland Food Co-op

For Temporary Sign Permitting