

PRODUCT INFORMATION

4099-9003 IDNet SLC DOUBLE ACTION PUSH MANUAL STATION

- FEATURES:**
- UL LISTED
 - DOUBLE ACTION (PUSH/PULL), IDNet SLC ADDRESSABLE
 - PULL LEVER PROTRUDES WHEN ALARMED
 - TAMPER RESISTANT RESET KEY LOCK
 - MOUNTING: SEMI-FLUSH, SURFACE
 - OPERATING TEMPERATURE RANGE: 32 - 120° F
 - OPERATING HUMIDITY RANGE: 0 - 93% RH
 - ADAPTER PLATES 2099-9813 OR 2099-9814 CAN BE USED FOR RETROFIT APPLICATIONS.
 - 5" HIGH X 3 3/4" WIDE X 1" DEEP
 - SCREW TERMINALS FOR 18 TO 14 AWG WIRE
 - ADDRESS BY MEANS OF AN 8 POSITION DIP SWITCH
 - COMPATIBLE WITH IDNet SLC/MAPNET

OPERATION:
ACTIVATION:
 4099-9003 DOUBLE ACTION STATION REQUIRES A FIRM DOWNWARD PULL TO ACTIVATE THE ALARM SWITCH. COMPLETING THIS ACTION BREAKS AN INTERNAL PLASTIC BREAK-ROD THAT IS VISIBLE BELOW THE PULL LEVER (USE OF PLASTIC ROD IS OPTIONAL). THE PULL LEVER LATCHES INTO THE ALARM POSITION AND REMAINS EXTENDED OUT OF THE HOUSING TO PROVIDE A VISIBLE INDICATION.

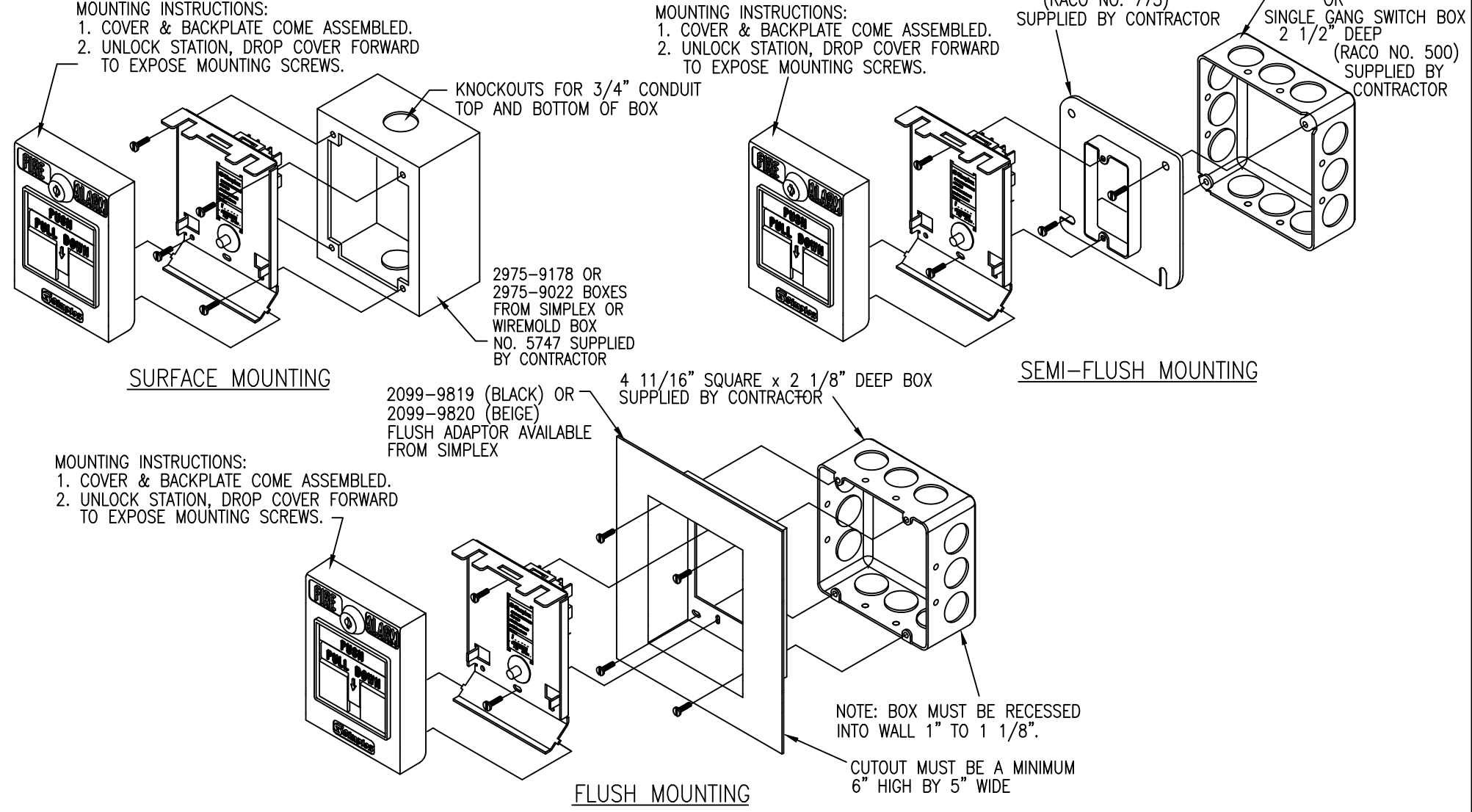
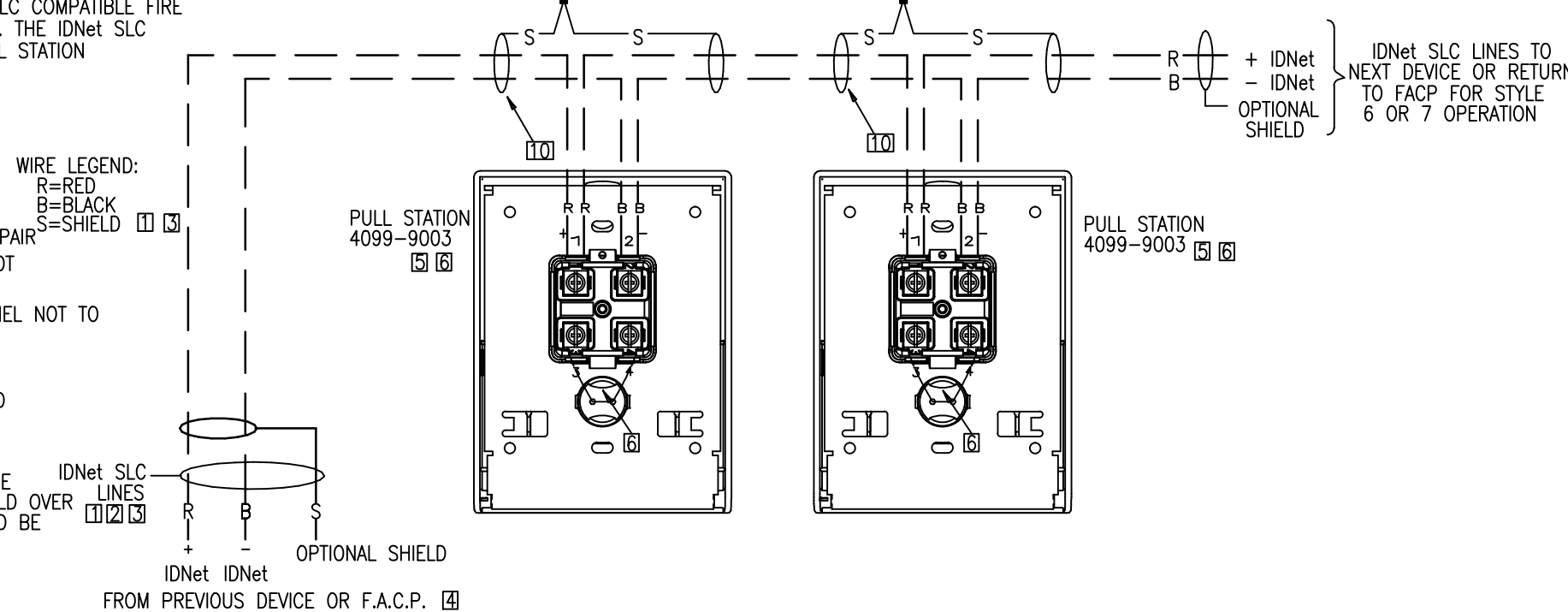
RESETTING:
 4099-9003 DOUBLE ACTION STATION REQUIRES A KEY TO RESET THE ACTIVATION LEVER AND DEACTIVATE THE ALARM SWITCH. (IF OPTIONAL PLASTIC BREAK ROD WAS USED IT MUST BE REPLACED)

CONSTRUCTION:
 STATION HOUSING AND PULL LEVER ARE CONSTRUCTED OF CHIP RESISTANT AND DIRT RESISTANT, HIGH IMPACT LEXAN. HOUSING IS RED WITH RAISED WHITE LETTERING AND PULL LEVER IS WHITE WITH RED RAISED LETTERING.
 * LEXAN IS A REGISTERED TRADEMARK OF THE GENERAL ELECTRIC CO.

APPLICATION:
 PULL STATIONS SHALL BE INSTALLED IN ACCORDANCE WITH NFPA 72 AND ADA GUIDE LINES.

INTRODUCTION:
 THE 4099-9003 ADDRESSABLE PULL STATION PROVIDES TWO-STATE STATUS INFORMATION (NORMAL AND SHORT) TO THE IDNet SLC COMPATIBLE FIRE ALARM CONTROL PANEL (FACP) VIA THE IDNet SLC CHANNEL. THE IDNet SLC CHANNEL PROVIDES THE COMMUNICATION LINK BETWEEN PULL STATION AND THE FACP AND POWERS THE ENTIRE CIRCUITRY.

- WIRING:**
1. ALL WIRING TO COMPLY WITH LOCAL CODE.
 2. CONDUCTORS MUST TEST FREE OF ALL GROUNDS.
 3. MAINTAIN CORRECT POLARITY
 4. IDNet SLC LINES ARE TO BE 18 AWG TWISTED SHIELDED PAIR.
 5. MAXIMUM LINE RUN FROM PANEL TO FARTHEST DEVICE NOT TO EXCEED 2500 FEET.
 6. MAXIMUM TOTAL WIRE (INCLUDING ALL T-TAPS) FROM PANEL NOT TO EXCEED 10,000 FEET.
 7. MAXIMUM QUANTITY OF DEVICES PER CIRCUIT: 250
 8. TERMINALS 1 AND 2 FOR FIELD WIRING, TERMINALS 3 AND 4 ARE FACTORY WIRING.
 9. WIRE NUT, SPLICER, OR SOLDER THE SHIELD WIRES.
 10. IF SHIELD IS PRESENT, IT SHOULD BE CONNECTED TO THE OUTGOING IDNet SLC LINES TO PROVIDE A CONTINUOUS SHIELD OVER THE LENGTH OF THE IDNet SLC CHANNEL. SHIELD SHOULD BE INSULATED FROM THE ELECTRICAL BOX.
 11. SEE INSTALLATION INSTRUCTIONS 574-332



PRODUCT INFORMATION

4098-9756 ADDRESSABLE ANALOG 4-WIRE DUCT SENSOR MAPNET II/IDNet SLC WITH 24VDC RELAY

- FEATURES:**
- COMPACT AIR DUCT SENSOR HOUSING WITH CLEAR COVER TO MONITOR FOR THE PRESENCE OF SMOKE
 - INCLUDES FACTORY INSTALLED TRI-ALARM PHOTOELECTRIC SMOKE DETECTOR AND FEATURES:
 - INDIVIDUAL SENSOR INFORMATION PROCESSED BY THE HOST MAPNET II OR IDNet SLC 2-WIRE COMMUNICATIONS
 - DIGITAL TRANSMISSION OF ANALOG SENSOR VALUES VIA MAPNET II OR IDNet SLC 2-WIRE COMMUNICATIONS
 - PROGRAMMABLE SENSITIVITY, CONSISTENT ACCURACY
 - ENVIRONMENTAL COMPENSATION, STATUS TESTING, AND MONITORING OF SENSOR DIRT ACCUMULATION

- MODEL:**
 DUCT SENSOR HOUSING WITH SUPERVISED OUTPUT FOR MULTIPLE REMOTE RELAYS. REQUIRES SEPARATE 24 VDC RELAYS ARE UNDER PANEL CONTROL AND CAN BE ACTIVATED MANUALLY OR BY A SEPARATE ALARM/INPUT
- GENERAL FEATURES:**
- UL LISTED TO STANDARD 268A
 - CLEAR COVER ALLOWS VISUAL INSPECTION
 - TEST PORTS PROVIDE FUNCTIONAL SMOKE TESTING ACCESS WITH COVER IN PLACE
 - MOUNTS TO RECTANGULAR DUCTS OR ROUND DUCTS (MINIMUM SIZE 8" SQUARE OR 18" DIAMETER)
 - MAGNETIC TEST FEATURE FOR ALARM INITIATION AT HOUSING
 - OPTIONAL WEATHERPROOF ENCLOSURE IS AVAILABLE SEPARATELY (REFER TO DATA SHEET 54098-0032)
- DIAGNOSTIC LEADS (ON INTERFACE BOARD):**
- RED ALARM/TROUBLE LED FOR SENSOR STATUS AND COMMUNICATIONS POLLING DISPLAY
 - YELLOW LED FOR OPEN OR SHORTED TROUBLE INDICATION OF SUPERVISED RELAY CONTROL
 - SAMPLING TUBES (ORDERED SEPARATELY):
 - AVAILABLE IN MULTIPLE LENGTHS TO MATCH DUCT SIZE
 - INSTALLED AND SERVICED WITH HOUSING IN PLACE
- REMOTE MODULE OPTIONS (ORDERED SEPARATELY):**
- RED STATUS/ALARM LED (2098-9808)
 - TEST STATION WITH LED (2098-9806)
 - RELAYS USED (4098-9843)

SPECIFICATIONS:

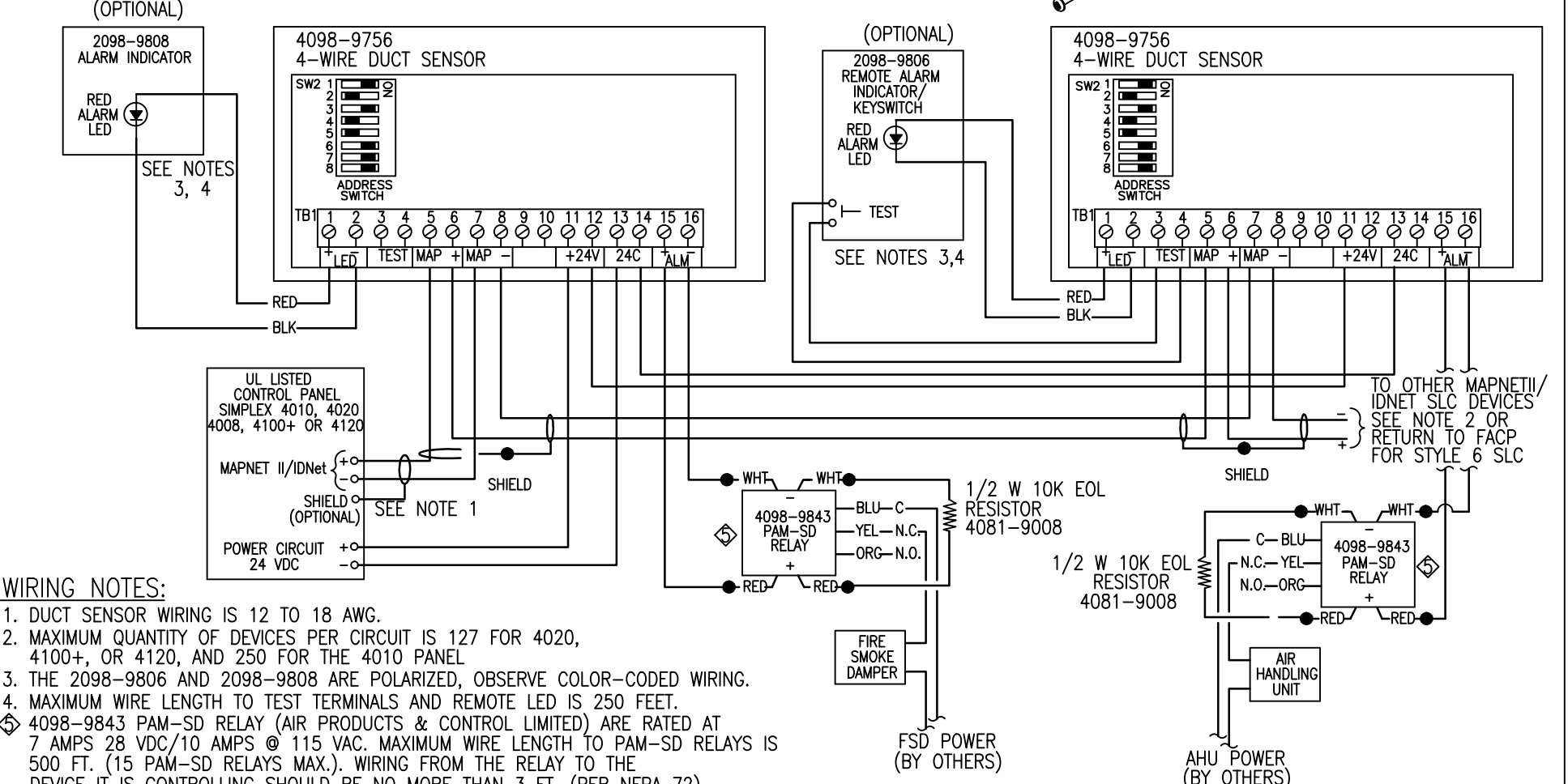
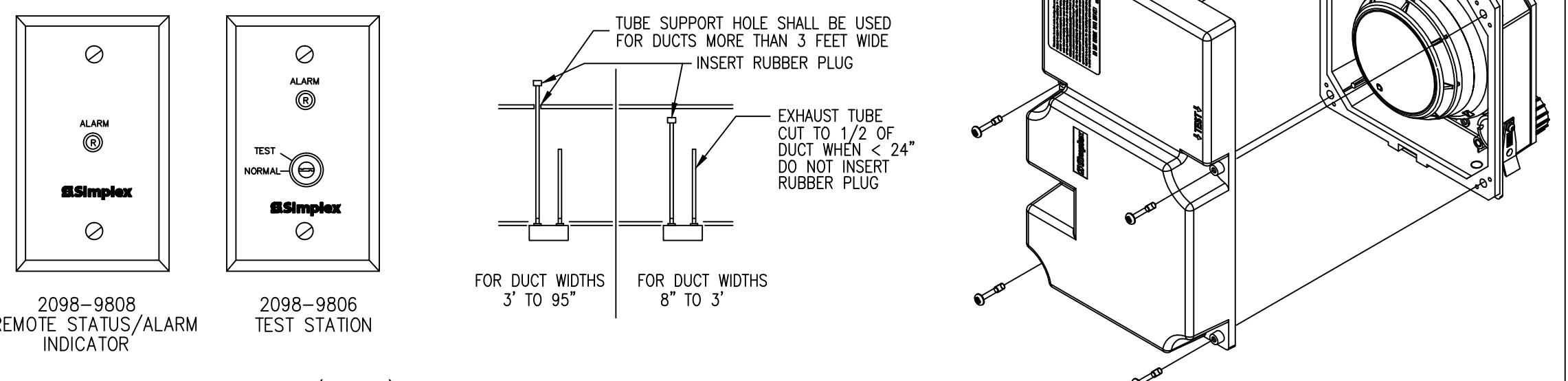
GENERAL SPECIFICATIONS	
AIR VELOCITY RANGE (LINEAR FT/MIN)	300 TO 4000 FT/MIN (91 TO 1220 m/min)
SENSOR SENSITIVITY RANGE	0.2% TO 3.7% PER FOOT OF OBSCURATION, SELECTABLE AT HOST CONTROL
UL LISTED TEMPERATURE RANGE	32° F TO 100° F (0° C TO 38° C)
OPERATING TEMPERATURE RANGE	32° F TO 122° F (0° C TO 50° C)
STORAGE TEMPERATURE RANGE	0° F TO 140° F (-18° C TO 60° C)
HUMIDITY RANGE	10% TO 95% RH, NON-CONDENSING
HOUSING COLOR	BLACK BASE WITH CLEAR COVER
WIRING CONNECTIONS	TERMINAL BLOCKS, 18 TO 12 AWG
REMOTE STATUS/ALARM LED AND TEST STATION WITH REMOTE STATUS/ALARM LED AT HOST CONTROL	2098-9808 OR 2098-9806
REMOTE ALARM LED CURRENT	11.2 mA, NO IMPACT TO ALARM CURRENT (2098-9808)
TEST STATION KEYSWITCH CURRENT	3.3 mA, NO IMPACT TO ALARM CURRENT (2098-9806)
REMOTE ALARM LED AND TEST STATION DISTANCE	250 FT. (76m) MAXIMUM
ADDRESSABLE OPERATION	
DATA COMMUNICATIONS	MAPNET II OR IDNet SLC COMMUNICATION, AUTO-SELECT 1 ADDRESS PER HOUSING, PROVIDES OPERATING POWER TO MODEL 4098-9756
MODEL 4098-9756 WITH SUPERVISED MULTIPLE RELAY CONTROL, REQUIRES SEPARATE FUSED 24 VDC FROM FIRE ALARM POWER SUPPLY	
INPUT VOLTAGE	17-32 VDC (24 VDC NOMINAL)
STANDBY CURRENT	3 mA @ 24 VDC
ALARM CURRENT	15 mA @ 24 VDC, ADD 15 mA ADDITIONAL FOR EACH 4098-9843 RELAY
RELAY CONTACTS, RESISTIVE RATINGS:	7 A @ 28 VDC & 120 VAC; 250 mA @ 5 VDC
LOCATION DISTANCE	500 FT. (152m) MAX. TO RELAY COILS; RELAY MUST BE WITHIN 3 FT. (1m) OF DEVICE BEING CONTROLLED PER NFPA 72, SECTION 3-9.2.1

WIRING NOTES:

1. DUCT SENSOR WIRING IS 12 TO 18 AWG.
2. MAXIMUM QUANTITY OF DEVICES PER CIRCUIT IS 127 FOR 4020, 4100+ OR 4120, AND 250 FOR THE 4010 PANEL.
3. THE 2098-9806 AND 2098-9808 ARE POLARIZED, OBSERVE COLOR-CODED WIRING.
4. MAXIMUM WIRE LENGTH TO TEST TERMINALS AND REMOTE LED IS 250 FEET.
5. 4098-9843 PAM-SD RELAY (AIR PRODUCTS & CONTROL LIMITED) ARE RATED AT 7 AMPS 28 VDC/10 AMPS @ 115 VAC. MAXIMUM WIRE LENGTH TO PAM-SD RELAYS IS 500 FT. (15 PAM-SD RELAYS MAX.). WIRING FROM THE RELAY TO THE DEVICE IT IS CONTROLLING SHOULD BE NO MORE THAN 3 FT. (PER NFPA 72).

DUCT DETECTOR SELECTION CHART

MODEL	DESCRIPTION	COMPATIBILITY
4098-9756	DUCT HOUSING WITH SUPERVISED MULTIPLE RELAY CONTROL FOR UP TO 18 4098-9843 RELAYS (ORDERED SEPARATELY) REQUIRES SEPARATE 24 VDC FIRE ALARM POWER AND RELAY END-OF-LINE RESISTOR	SIMPLEX FIRE ALARM CONTROL MODELS 4008, 4010, 4020, 4100, AND 4120.
REMOTE LED INDICATOR AND TEST STATION, SELECT ONE IF REQUIRED		
MODEL	DESCRIPTION	MOUNTING
2098-9808	RED LED STATUS INDICATOR	USE SINGLE GANG BOX, 3" H X 2" W X 2" D. DO NOT INSERT RUBBER PLUG
2098-9806	TEST STATION WITH KEYSWITCH AND RED LED STATUS (TURNING SWITCH TO TEST INITIATES ALARM FOR SYSTEM TESTING)	



PRODUCT INFORMATION

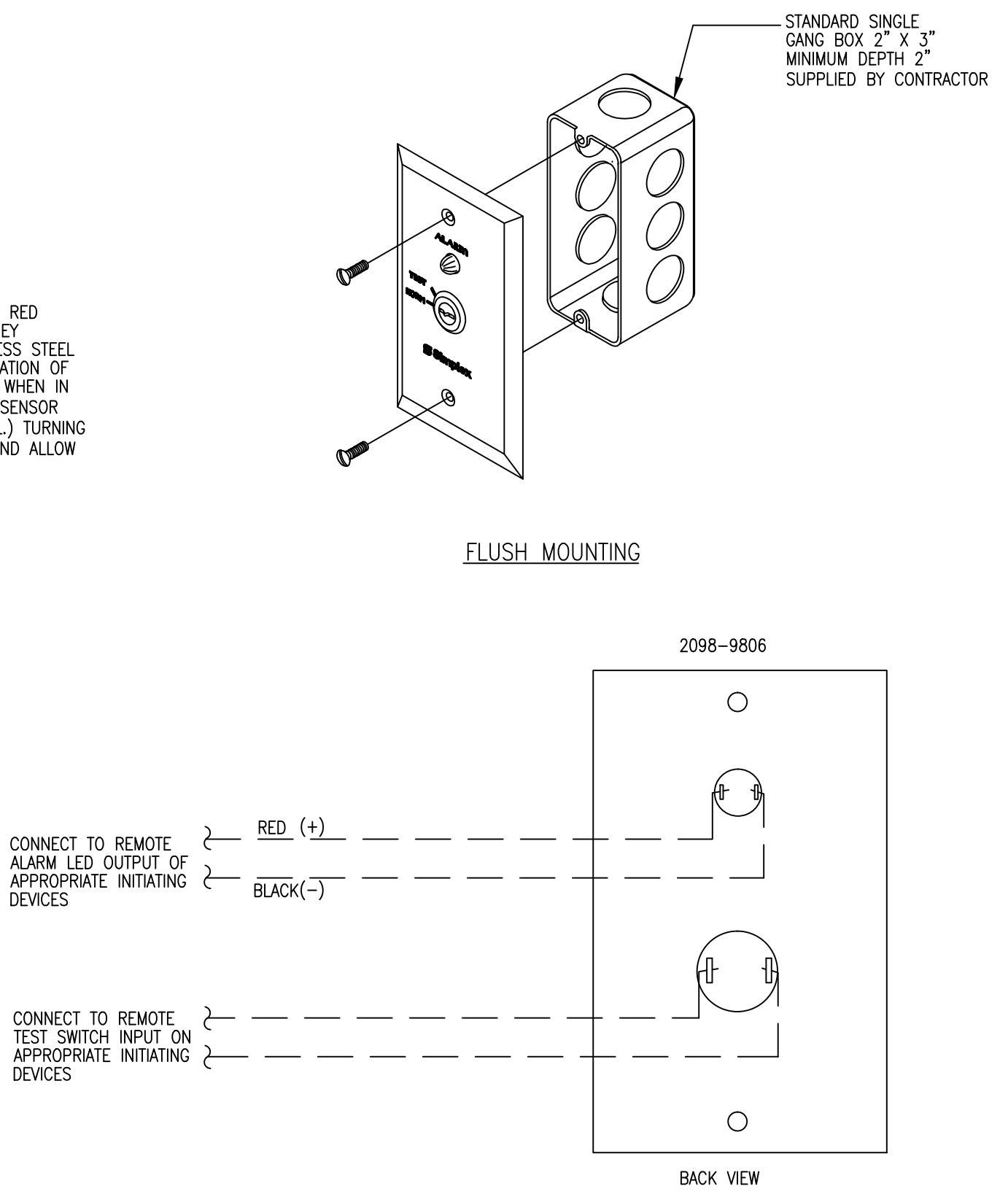
2098-9806 REMOTE ALARM INDICATOR/KEY SWITCH

- FEATURES:**
- UL LISTED
 - CALIFORNIA STATE FIRE MARSHAL LISTING NUMBERS: 2908-9806 ALARM INDICATOR 7300-0026:150
 - MOUNTING: FLUSH
 - FINISH: CHROME OR STAINLESS STEEL

- SPECIFICATIONS:**
- ALARM CURRENT: 2.8 mA
 - DIMENSIONS OF BOX: 2" W X 3" H X 2" D

DESCRIPTION:
 2098-9806 REMOTE TEST STATION, PROVIDES A REMOTE RED ALARM LED STATUS INDICATOR AND A REMOTE TEST KEY ACTIVATED SWITCH MOUNTED ON A SINGLE GANG STAINLESS STEEL PLATE. THE LED WILL PULSE TO INDICATE NORMAL OPERATION OF THE DUCT DETECTOR AND WILL ENERGIZE CONTINUOUS WHEN IN ALARM OR IN TROUBLE. (THE EXACT STATUS OF THE SENSOR WILL BE DISPLAYED AT THE FIRE ALARM CONTROL PANEL.) TURNING THE TEST SWITCH TO "TEST" WILL INITIATE AN ALARM AND ALLOW THE RESULTING SYSTEM RESPONSES TO BE VERIFIED.

- WIRING:**
- MINIMUM 18 AWG OR TO LOCAL CODE
 - CONDUCTORS MUST TEST FREE OF ALL GROUNDS.
 - REMOTE ALARM LED IS POLARIZED, OBSERVE COLOR CODED WIRING.
 - ONE INDICATOR MAY BE INSTALLED PER DETECTOR.

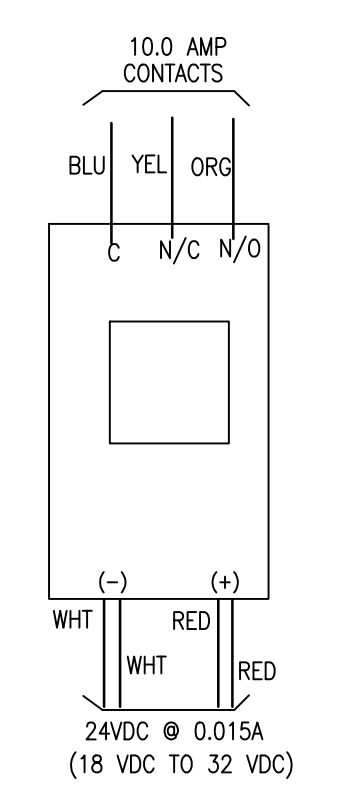
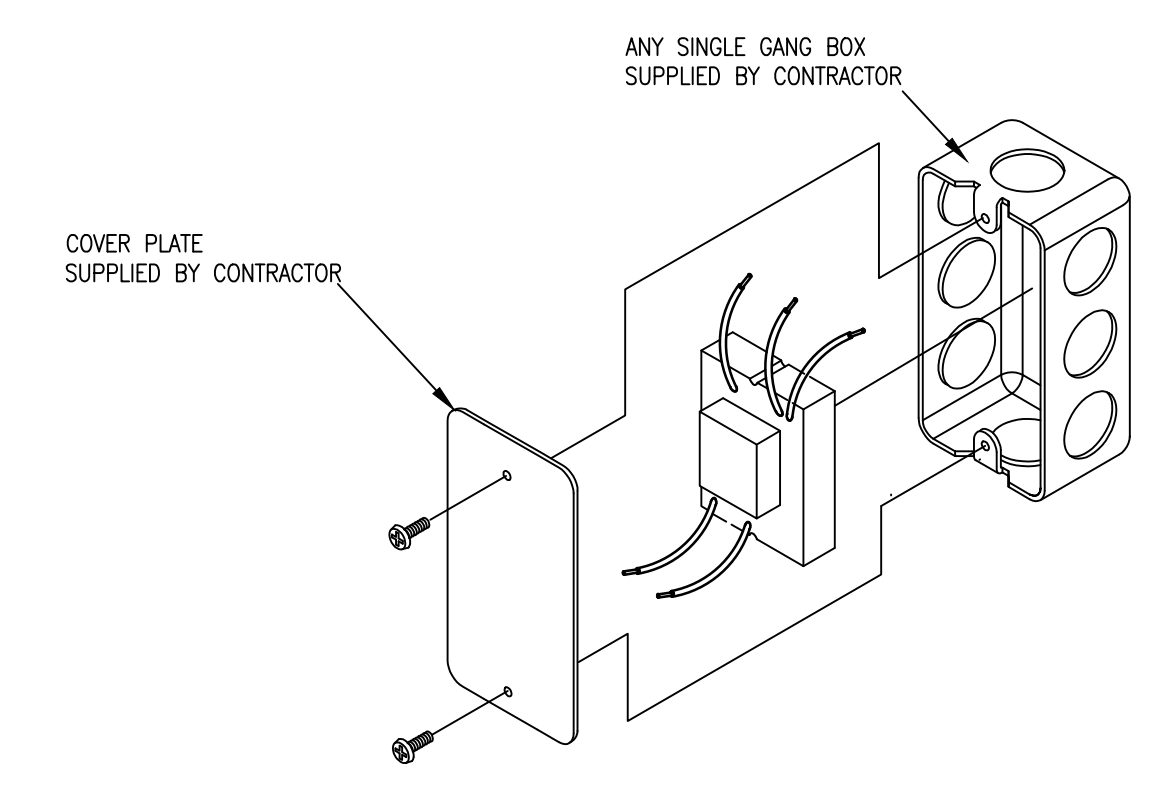


SPECIFICATIONS:

- POWER REQUIREMENTS: 0.015 AMP @ 24VDC (17 VDC TO 32 VDC)
- RELAY: UL RECOGNIZED SPDT
- CONTACT RATING: 7 AMPS @ 120VAC & 28 VDC 250 MICRO AMPS @ 5 VDC
- AMBIENT TEMPERATURE: -50° F TO 85° F (-50° C TO 85° C)
- APPROVALS: UNDERWRITERS LABORATORIES LISTED
- 12" 18 AWG WIRE LEADS
- DIMENSIONS: 1-1/2" H X 1 7/8" W X 13/16" D (38.1mm H X 47.625mm W X 20.638mm D)

FEATURES:

- SINGLE SPDT RELAY
- DOUBLE-SIDED ADHESIVE TAPE
- MOUNTING SCREW
- 5 WIRE NUTS



tyco
 SimplexGrinnell
 Safer. Smarter. Tycco.SM

PORTLAND FOOD CO-OP
 PORTLAND FOOD CO-OP
 290 CONGRESS STREET
 PORTLAND, ME 04101

ISSUE NO.	DATE	CHK	DESCRIPTION

DRAWN BY: G.LORION
 CHECKED BY: S.KALAFARSKI
 ISSUE DATE: 9/17/14
 PROJECT #: 147-980171201
 SIMPLEXGRINNELL © 2014
 SYSTEM:
 FIRE ALARM SYSTEM

WIRING TYPICALS

FA-702

FILE PATH: P:\2014\147\Portland Food Co-op\CAD\Fa702.dwg

LAST SAVED BY: GLORION

LAST PRINTED: 9/17/2014 2:48:19 PM

24 x 36" Arch D Size

IMPORTANT NOTICE: TO USER: The copyright of every drawing on this page is the property of Tyco Fire & Security, Inc. or its subsidiaries. This document is intended for the use of the user of means of fire. The information may not be used or modified in any way without the prior written consent of Tyco Fire & Security, Inc. or its subsidiaries. The information contained herein shall be the sole and final authority. No other information, including but not limited to, specifications, drawings, or other documents, shall be used in conjunction with this document. The information contained herein shall be the sole and final authority. No other information, including but not limited to, specifications, drawings, or other documents, shall be used in conjunction with this document. The information contained herein shall be the sole and final authority. No other information, including but not limited to, specifications, drawings, or other documents, shall be used in conjunction with this document.