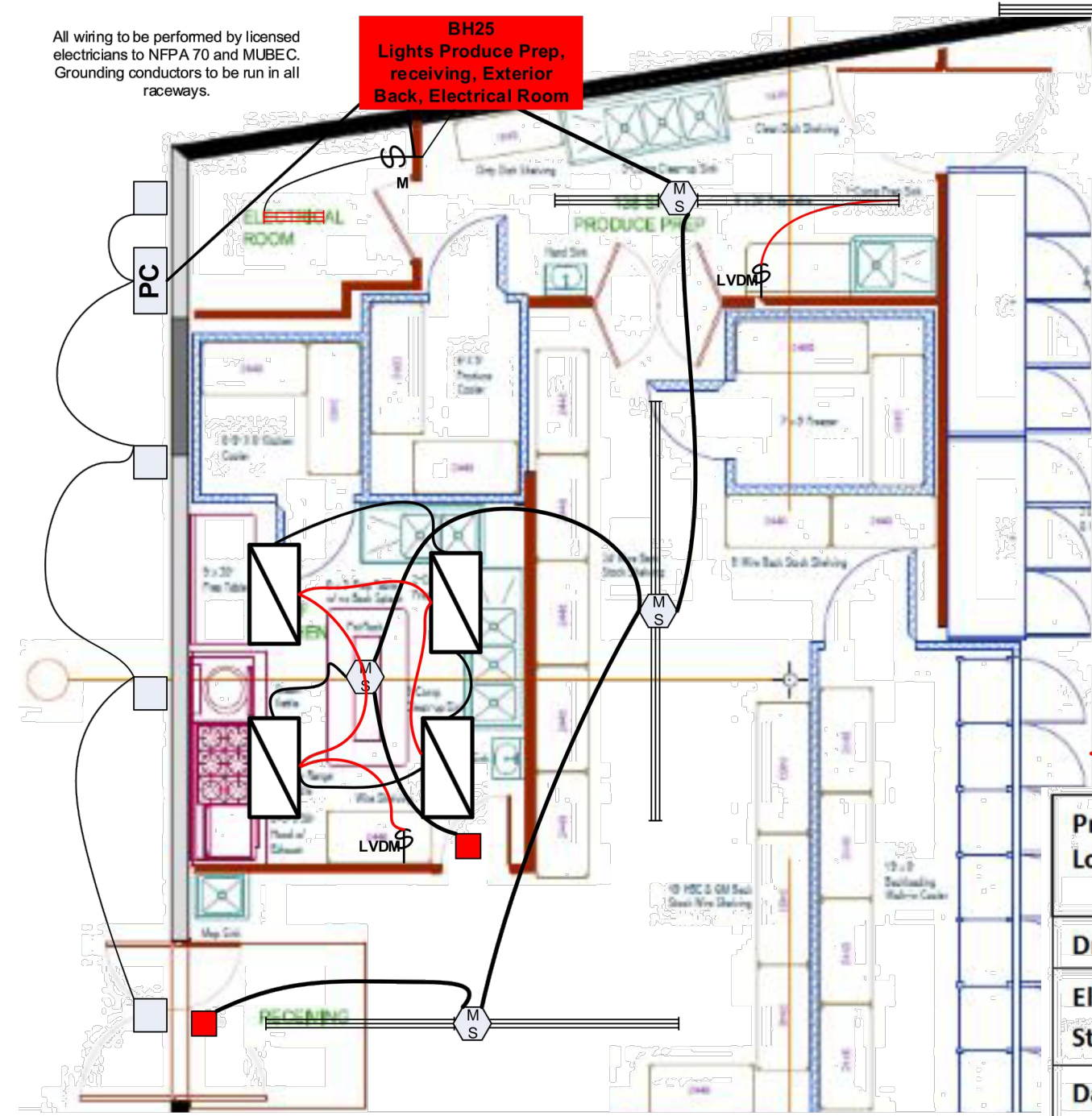
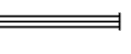
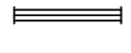




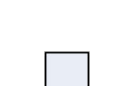






All wiring to be performed by licensed electricians to NFPA 70 and MUBEC. Grounding conductors to be run in all raceways.



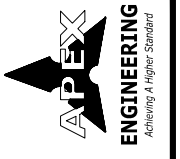
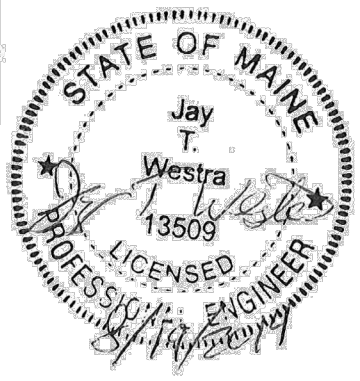
-  Cree LS8-80
-  Cree LS4-40
-  Line Voltage Ceiling Mount Motion Sensor CMR 9
-  Occupancy Switch
-  Low Voltage Dimmer Lutron Diva
-  Cree ZR 24
-  RAB Wall Pack WPLED 26
-  Dusk to Dawn Photocell
-  Emergency Exit Light w Lights
-  4' T-5 fixture
-  Low Voltage Wiring

**Project: Portland Food Coop**  
**Location: 290 Congress Street**  
**Portland ME, 04101**

**Drawing: EL101**

**Electrical Lighting Plan Back of Store**

**Date: 08/18/14**



APEX ENGINEERING CO.  
 150 US ROUTE ONE  
 FALMOUTH MAINE, 04105  
 TEL: (207) 847-3445  
 FAX: (207) 847-3446  
 WEB: apexengineering.co

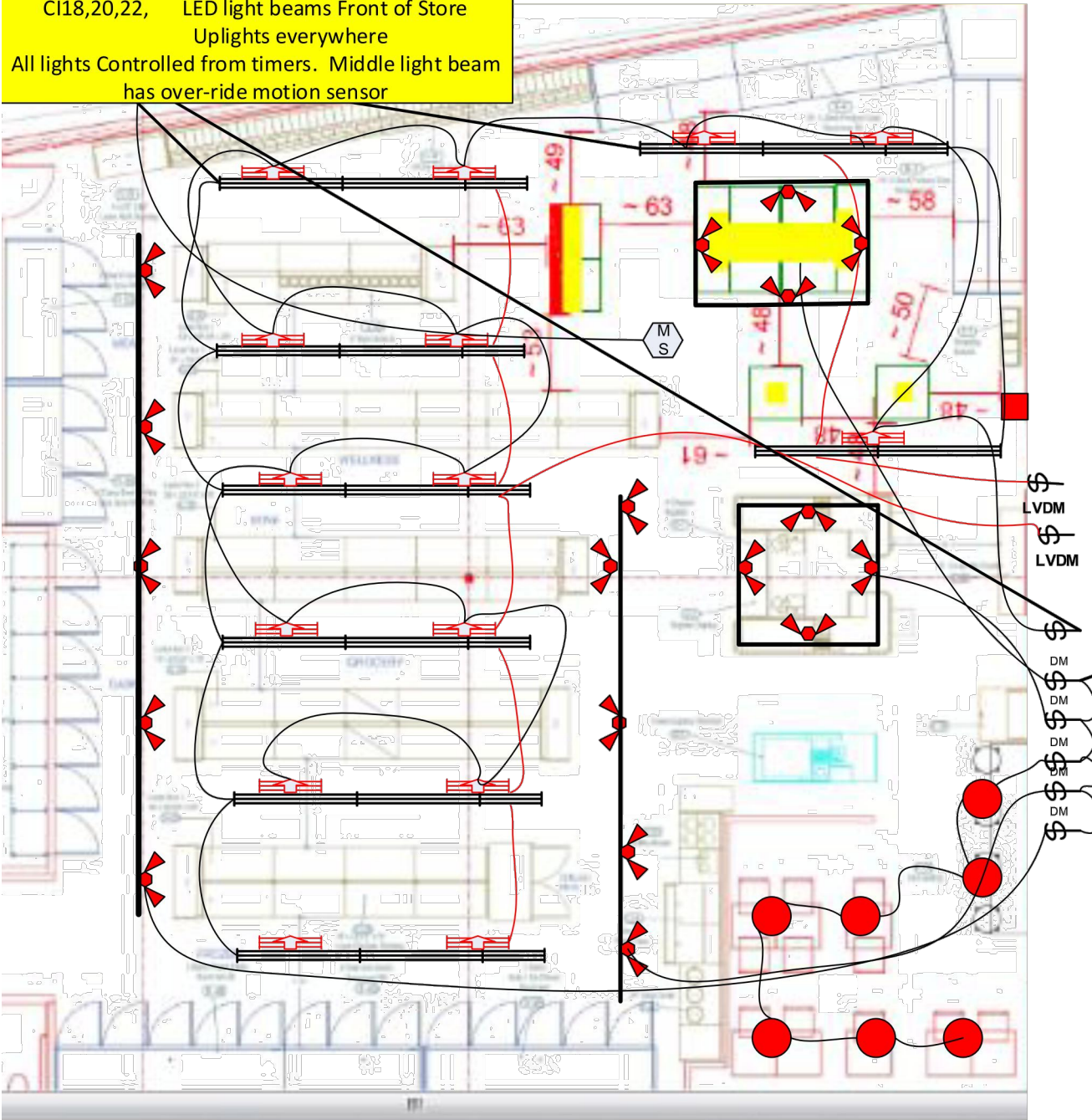
THESE DRAWINGS ARE THE PROPERTY OF APEX ENGINEERING. NO REPRODUCTION OR TRANSMISSION OF ANY PART OF THESE DRAWINGS IS PERMITTED WITHOUT THE WRITTEN PERMISSION OF APEX ENGINEERING.

REV.	DATE	DESCRIPTION	DESIGN BY	DRAWN BY	CHK BY
0	8/19/2014	ISSUED FOR CONSTRUCTION	PJC	PJC	JTW

DRAWING TITLE: LIGHTING PLAN- BACK	PROJECT: PORTLAND FOOD CO-OP 290 CONGRESS ST PORTLAND, ME 04101
------------------------------------	---

PROJECT# 14-062	DATE: 8/19/2014	SCALE: NOT TO SCALE
-----------------	-----------------	---------------------

Ckt LED light beams center Store  
 CI18,20,22, LED light beams Front of Store  
 Uplights everywhere  
 All lights Controlled from timers. Middle light beam  
 has over-ride motion sensor



- 2'4" T-5 strip light Uplight
- Cree LS4 40L
- Cree LS8 80L
- Simple Switch
- Low Voltage Dimmer Lutron Diva
- 2 Lamp Track Lites 541 PAR 30 Fixtures
- Line Voltage Dimming Switch
- Emergency Exit Light w Lights
- Hanging Pendant Fixture w/ 900lm A-19
- Motion Sensor- Unoccupied Override

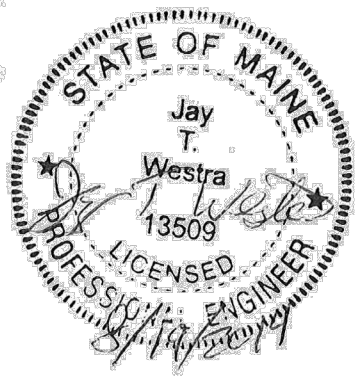
CI24  
 Track Lights and Seating  
 area lights  
 Controlled from Timer  
 in rear of store

**Project: Portland Food Coop**  
**Location: 290 Congress Street**  
**Portland ME, 04101**

**Drawing: EL102**

**Electrical Lighting Front of Store**

**Date: 08/18/14**



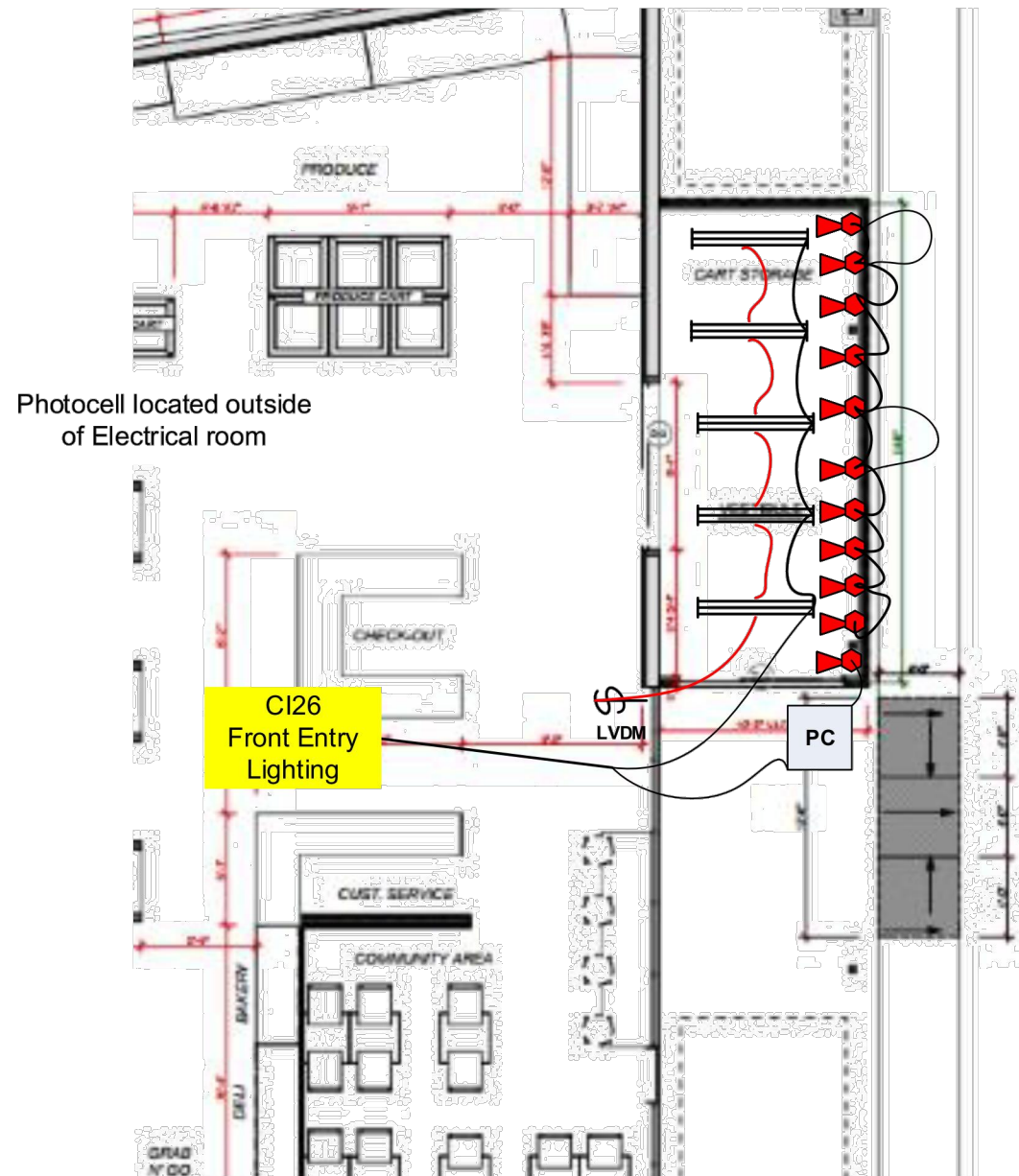
**APEX ENGINEERING CO.**  
 190 US ROUTE ONE  
 FALMOUTH MAINE, 04105  
 TEL: (207) 847-3445  
 FAX: (207) 847-3446  
 WEB: apexengineering.co

THESE DRAWINGS ARE  
 THE PROPERTY OF APEX ENGINEERING  
 COMPANY. NO PART OF THESE  
 DRAWINGS OR ANY INFORMATION  
 CONTAINED HEREIN IS TO BE  
 REPRODUCED OR TRANSMITTED  
 IN ANY FORM OR BY ANY  
 MEANS, ELECTRONIC OR  
 MECHANICAL, INCLUDING  
 PHOTOCOPYING, RECORDING,  
 OR BY ANY INFORMATION  
 STORAGE AND RETRIEVAL  
 SYSTEMS, WITHOUT THE  
 WRITTEN PERMISSION OF  
 APEX ENGINEERING COMPANY.

REV.	DATE	DESCRIPTION	DESIGN BY	DRAWN BY	CHK BY
0	8/19/2014	ISSUED FOR CONSTRUCTION			

DRAWING TITLE: ELECTRICAL LIGHTING PLAN FRONT  
 PROJECT: PORTLAND FOOD CO. OP  
 PORTLAND, ME 04101

PROJECT# 14-062  
 DATE: 8/19/2014  
 SCALE: NOT TO SCALE



Photocell located outside of Electrical room

C126 Front Entry Lighting

NOTE: Switch Bank fed from 1" EMT to central Switch Location

- ==== Cree LS4-40
- Ⓢ Simple Switch
- PC Dusk to Dawn photo cell
- LVDIM Ⓢ Low Voltage Dimmer Lutron Diva
- ▶ RAB Bullet N13 Exterior Integral LED
- Ⓢ<sub>DM</sub> Diming Switch
- Ⓢ Lighting receptacle mounted high

All wiring to be performed by licensed electricians to NFPA 70 and MUBEC. Grounding conductors to be run in all raceways.

<b>Project: Portland Food Coop</b> <b>Location: 290 Congress Street</b> <b>Portland ME, 04101</b>
<b>Drawing: EL103</b>
<b>Electrical Lighting Exterior</b> <b>Front</b>
<b>Date: 08/18/14</b>



**APEX ENGINEERING**  
 Achieving A Higher Standard

APEX ENGINEERING CO.  
 190 US ROUTE ONE  
 FHB 346  
 FALMOUTH MAINE, 04105  
 TEL: (207) 847-3445  
 FAX: (207) 847-3446  
 WEB: apexengineering.co

THESE DRAWINGS ARE THE PROPERTY OF APEX ENGINEERING. NO REPRODUCTION OR TRANSMISSION OF ANY KIND IS PERMITTED WITHOUT THE WRITTEN PERMISSION OF APEX ENGINEERING.

REV.	DATE	DESCRIPTION	DESIGN BY	DRAWN BY	CHK BY
0	8/19/2014	ISSUED FOR CONSTRUCTION	PJC	PJC	JTW

DRAWING TITLE: LIGHTING PLAN EXTERIOR	PROJECT: PORTLAND FOOD CO. OP 290 CONGRESS ST PORTLAND, ME 04101
---------------------------------------	--

PROJECT# 14-062	DATE: 8/19/2014	SCALE: NOT TO SCALE
-----------------	-----------------	---------------------

EL601 Luminaire Schedule										
Portland Food Coop										
290 Congress Street Portland Maine										
5/23/2014										
Description	Model	Location	Lumens	Watts	L / W	color temp	Warranty Years	CRI	Lamp Life Hours	Cut Sheet
2x4 LED Recessed Fixture	Cree ZR24	Kitchen, offices, bathrooms, hallway	4,000	40	100	4000	5	90	50,000	<a href="http://www.cree.com/lighting/zrseries">http://www.cree.com/lighting/zrseries</a>
Linear Ambient 4' LED 4000 Lumen	Cree LS4-40	Light Beams Rear, hard ceilings	4,000	44	91	3500	10	90	50,000	<a href="http://www.cree.com/Lighting/Products/Indoor/Surface-Ambient/LS-Series">http://www.cree.com/Lighting/Products/Indoor/Surface-Ambient/LS-Series</a>
Linear Ambient 8' LED suspended 40	Cree LS8-80	Front of Store	8,000	88	91	4000	10	90	50,000	<a href="http://www.cree.com/Lighting/Products/Indoor/Surface-Ambient/LS-Series">http://www.cree.com/Lighting/Products/Indoor/Surface-Ambient/LS-Series</a>
Track Light Par 30 lamp holder	Juno Track Lites 541	Downlight Fixture throughout								<a href="http://www.junolightinggroup.com/literature/fraclites.pdf">http://www.junolightinggroup.com/literature/fraclites.pdf</a>
Par 30 Lamp (for tracks above)	Green Creative Titanium Par 30	Downlight Fixture throughout	850	14	61	3000	3	82	30000	<a href="http://www.earthled.com/products/green-creative-titanium-led-14-watt-par30-long-neck-75-watt-equal#U-0bmfidWSo">http://www.earthled.com/products/green-creative-titanium-led-14-watt-par30-long-neck-75-watt-equal#U-0bmfidWSo</a>
A19 LED 1600 Lumen (Coolers)	Cree A19	Coolers	800	9.5	84	2700	3	80	25000	<a href="http://www.cree.com/Lighting/Products/Indoor/Lamps/A19-Series">http://www.cree.com/Lighting/Products/Indoor/Lamps/A19-Series</a>
Emergency Exit Light w battery	Lithonia ECR LED M6	Exit Lights	300	3.8	79	5000	3	66	100000	<a href="http://www.acuitybrandslighting.com/library/LL/documents/SpecSheets/LED%20Exit-Unit%20Combos.pdf">http://www.acuitybrandslighting.com/library/LL/documents/SpecSheets/LED%20Exit-Unit%20Combos.pdf</a>
Wall Pack	RAB wpled26	Rear Exterior	2662	26	102	5000	3	70	100000	<a href="http://www.rabweb.com/specSheet.php?product=WPLED26">http://www.rabweb.com/specSheet.php?product=WPLED26</a>
Sign Light	Exterior Spot Integral LED	Rab bullet 12N	832	12	69	4000	3	70	100000	<a href="http://www.rabweb.com/led-bullet">http://www.rabweb.com/led-bullet</a>
T-5 fixture, bare strip 4' 2 lamp fixture	Lithonia Z 2 28WT5	Electrical Room/ Uplights	5460	75	73	3000	1	85	20000	<a href="http://www.rabweb.com/product.php?product=VX100DG">http://www.rabweb.com/product.php?product=VX100DG</a>



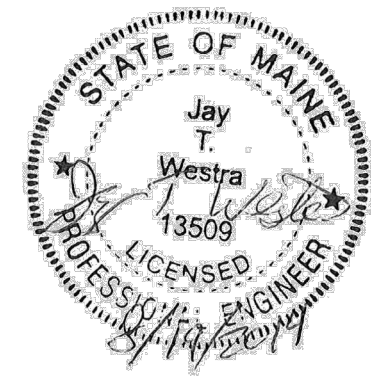
APEX ENGINEERING CO.  
 190 US ROUTE ONE  
 FALMOUTH MAINE, 04105  
 TEL: (207) 847-3445  
 FAX: (207) 847-3446  
 WEB: [apexengineering.co](http://apexengineering.co)

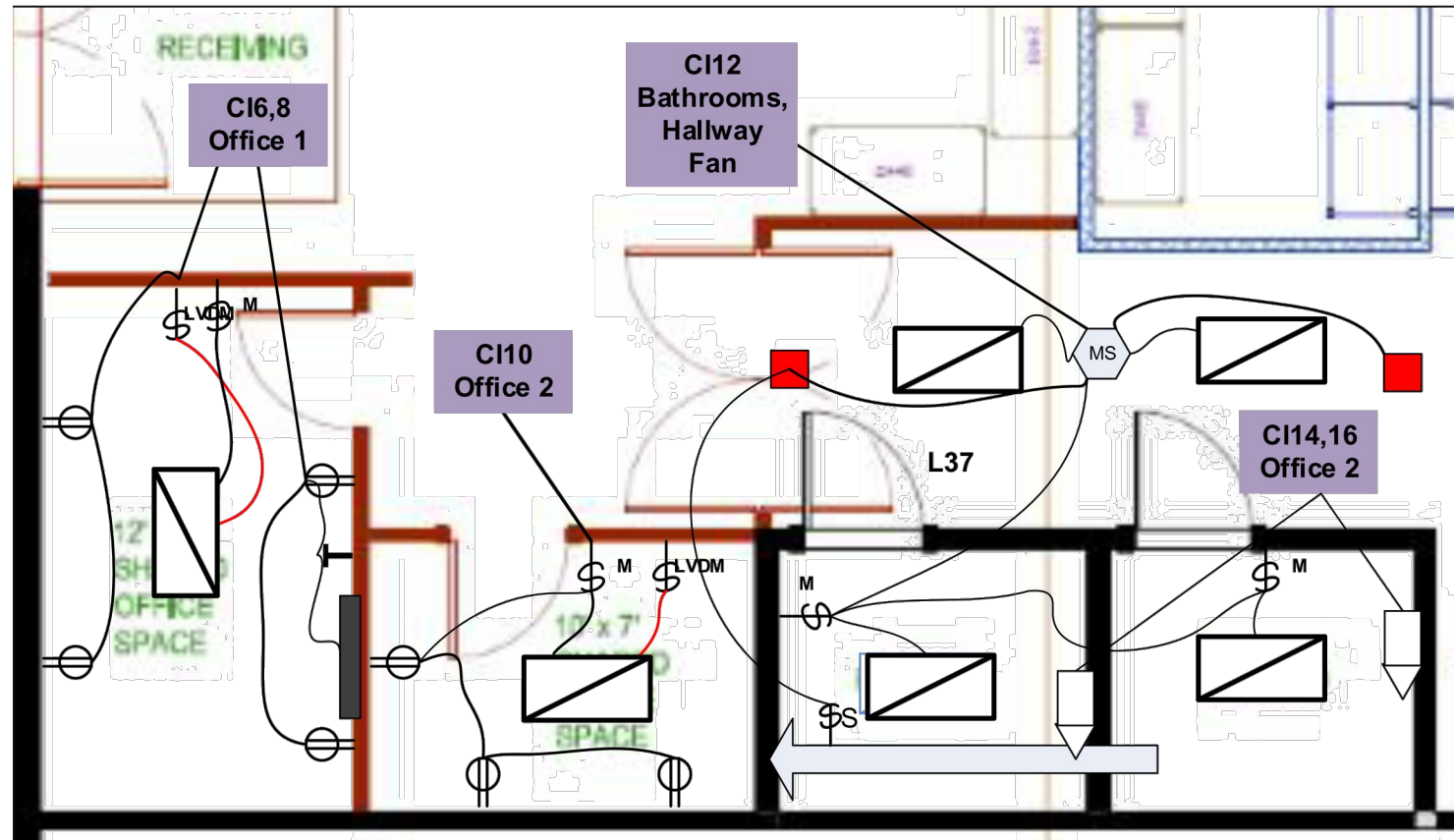
THESE DRAWINGS ARE  
 THE PROPERTY OF APEX ENGINEERING  
 COMPANY. ANY REPRODUCTION OR  
 REUSE OF THESE DRAWINGS WITHOUT  
 WRITTEN PERMISSION IS  
 PROHIBITED.

REV.	DATE	DESCRIPTION	DESIGN BY	P/C	DRAWN BY	JTW	REV. BY
0	8/19/2014	ISSUED FOR CONSTRUCTION					

DRAWING TITLE: LUMINAIRE SCHEDULE  
 PROJECT: PORTLAND FOOD CO. OP  
 290 CONGRESS ST  
 PORTLAND, ME 04101

PROJECT# 14-062  
 DATE: 8/19/2014  
 SCALE: NOT TO SCALE





▽  
Dyson Air Blade V  
1400w

▭  
Cree ZR 24

▬  
24" 400 watt Qmark  
2542NW Electric  
Baseboard

T  
Honeywell Digital  
Programmable Line  
Voltage Thermostat  
TL8230A1003

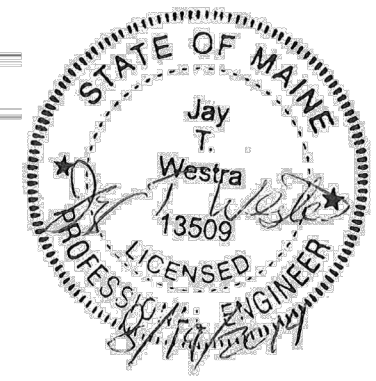
- E2 Refrigeration Control
  - ⊕<sup>GFI</sup> 20 A Duplex GFCI Receptacle
  - ⊕ 2 Duplex Outlet Receptacles fed from 2, 20 A feeds
  - ⊕<sup>D</sup> Dedicated Circuit
  - ⊕ 20A Receptacle
  - ← Exhaust Fan w 7 day timer
  - Emergency Exit Light w Lights
  - ⊕<sup>S</sup> Service Switch
  - ⊕<sup>≡</sup> Diming Switch
  - M ⊕ Motion Switch
  - ⊕<sup>M</sup> Line Voltage Ceiling Mount Motion Sensor CMR 9
  - ⊕<sup>LVDIM</sup> Low Voltage Dimmer Lutron Diva
- All wiring to be performed by licensed electricians to NFPA 70 and MUBEC. Grounding conductors to be run in all raceways.

Project: Portland Food Coop  
Location: 290 Congress Street  
Portland ME, 04101

Drawing: EP101

Electrical Power Office Area

Date: 08/18/14



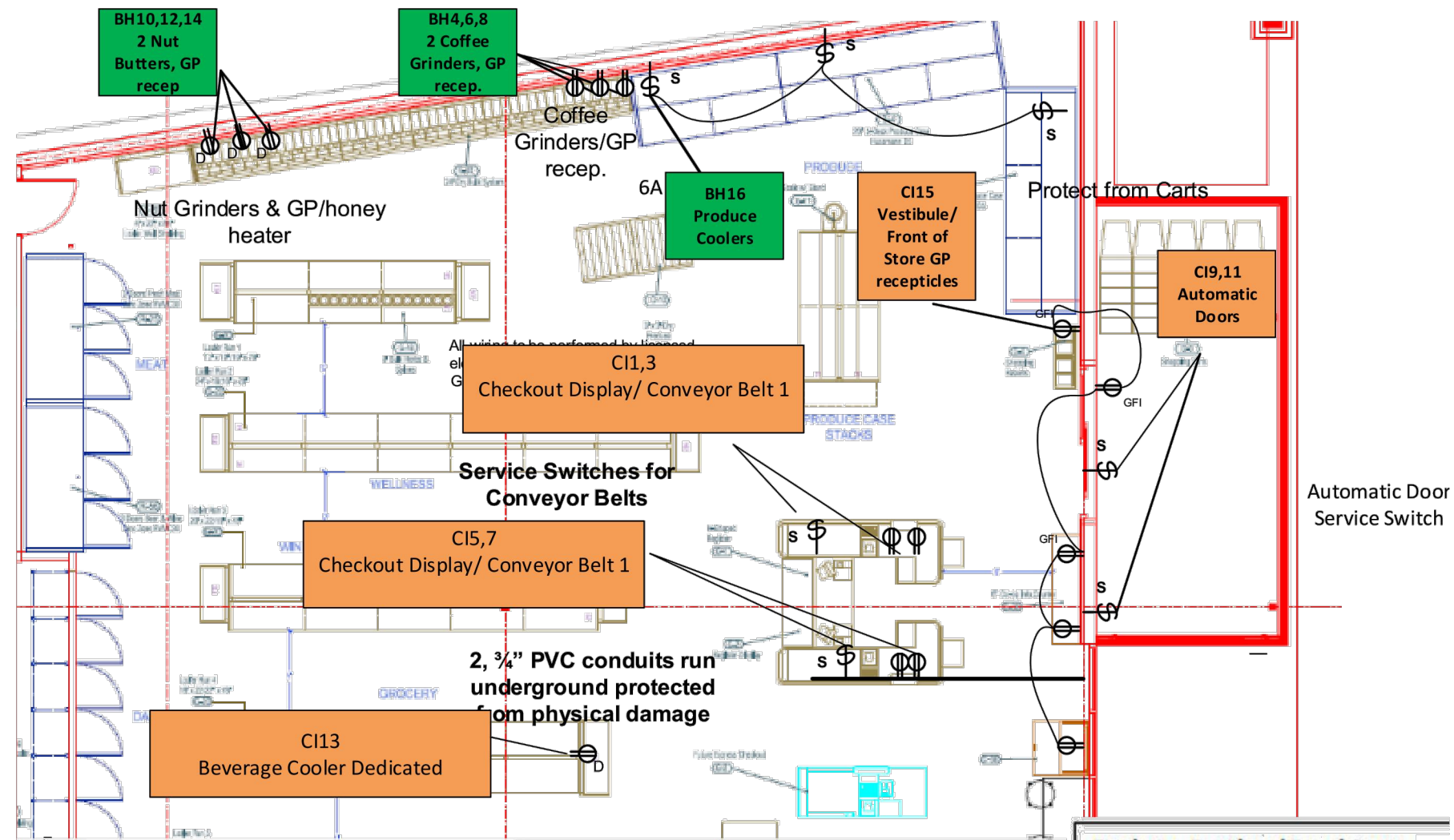
**APEX ENGINEERING**  
Achieving A Higher Standard

APEX ENGINEERING CO.  
190 US ROUTE ONE  
FALMOUTH MAINE, 04105  
TEL: (207) 847-3445  
FAX: (207) 847-3446  
WEB: apexengineering.co

THESE DRAWINGS ARE THE PROPERTY OF APEX ENGINEERING. NO REPRODUCTION OR TRANSMISSION OF ANY KIND IS PERMITTED WITHOUT THE WRITTEN PERMISSION OF APEX ENGINEERING.

REV.	DATE	DESCRIPTION	DESIGN BY	DRAWN BY	ITW	REV. BY
0	8/19/2014	ISSUED FOR CONSTRUCTION	PJC	PJC		

PROJECT TITLE:	ELECTRICAL POWER PLAN OFFICE AREA
PROJECT:	PORTLAND FOOD CO-OP 290 CONGRESS ST PORTLAND, ME 04101
PROJECT#	14-062
DATE:	8/19/2014
SCALE:	NOT TO SCALE



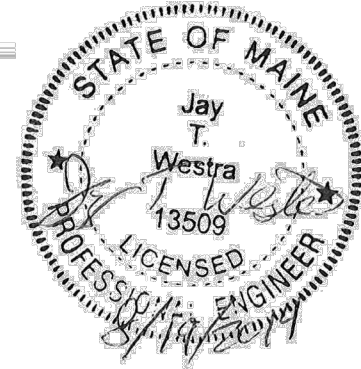
- ⊕ 20 A Duplex GFCI Receptacle
- s ⊕ Service Switches
- ⊕ Dedicated 120v receptacle
- ⊕ 20A Receptacle
- ⊕<sub>208V</sub> 208 V receptacle

**Project: Portland Food Coop**  
**Location: 290 Congress Street**  
**Portland ME, 04101**

**Drawing: EP102**

**Electrical Power Hampshire**  
**Street/ Front of Store**

**Date: 08/18/14**



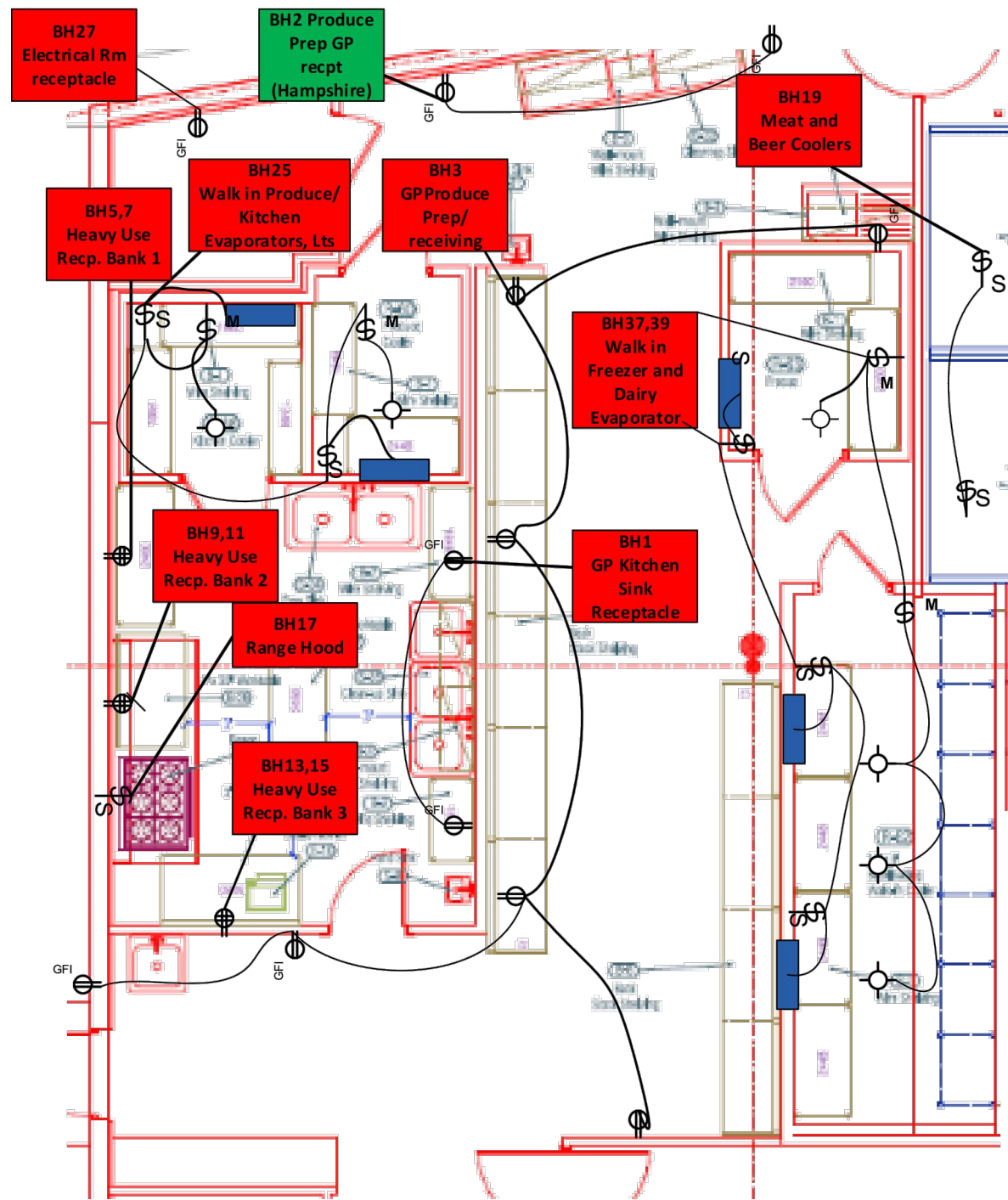
**APEX ENGINEERING CO.**  
 190 US ROUTE ONE  
 FALMOUTH MAINE, 04105  
 TEL: (207) 847-3445  
 FAX: (207) 847-3446  
 WEB: apexengineering.co

THESE DRAWINGS ARE THE PROPERTY OF APEX ENGINEERING CO. NO REPRODUCTION OR TRANSMISSION OF ANY KIND IS PERMITTED WITHOUT THE WRITTEN CONSENT OF APEX ENGINEERING CO.

REV.	DATE	DESCRIPTION	DESIGN BY	DRAWN BY	INW	REV. BY
0	8/19/2014	ISSUED FOR CONSTRUCTION	PJC	PJC		

DRAWING TITLE:	ELECTRICAL POWER HAMPSHIRE ST.
PROJECT:	PORTLAND FOOD CO. OP 290 CONGRESS ST PORTLAND, ME 04101

PROJECT#	14-062
DATE:	8/19/2014
SCALE:	NOT TO SCALE



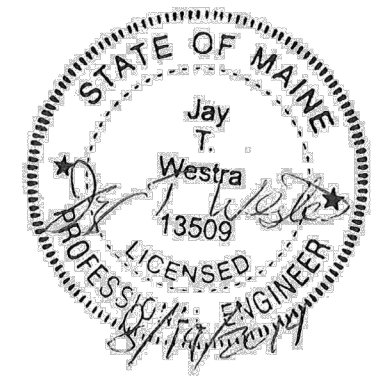
- ⊕ 20 A Duplex GFCI Receptacle
- ⊕ 2 Duplex GFIC protected Outlet Receptacles fed from 2, 20 A feeds
- ⊕ D Dedicated Circuit
- ⊕ 20A Receptacle
- M ⊕ Motion Switch
- ⊕ Shatter Proof Lamp
- ⊕ S Service Switch
- Evaporator

**Project: Portland Food Coop**  
**Location: 290 Congress Street**  
**Portland ME, 04101**

**Drawing: EP103**

**Electrical Power Back of Store**

**Date: 08/18/14**



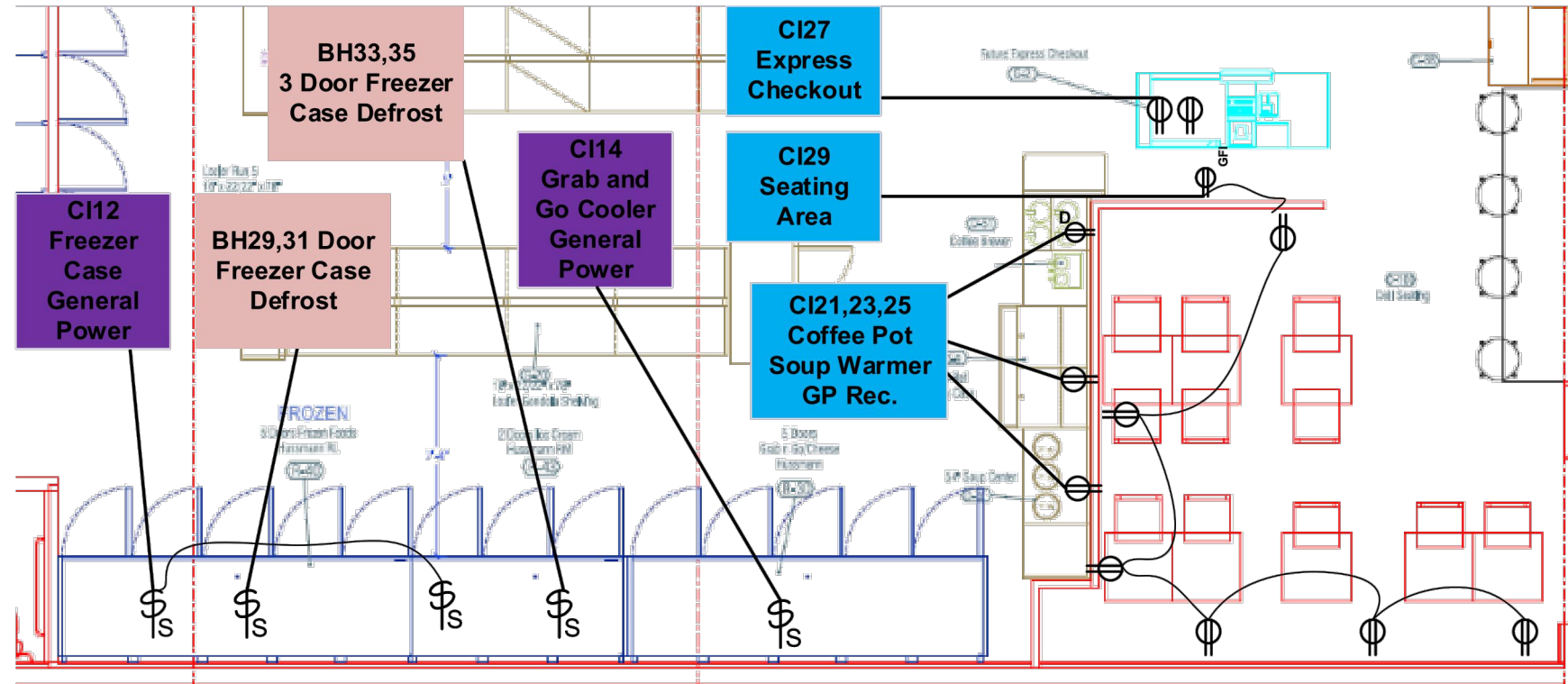
**APEX ENGINEERING CO.**  
 190 US ROUTE ONE  
 FALMOUTH MAINE, 04105  
 TEL: (207) 847-3445  
 FAX: (207) 847-3446  
 WEB: apexengineering.co






THESE DRAWINGS ARE THE PROPERTY OF APEX ENGINEERING CO. ANY REPRODUCTION OR DISTRIBUTION OF THESE DRAWINGS WITHOUT THE WRITTEN PERMISSION OF APEX ENGINEERING CO. IS PROHIBITED.

REV.	DATE	DESCRIPTION	DESIGN BY	DRAWN BY	APP.	REV. BY
0	8/19/2014	ISSUED FOR CONSTRUCTION	PJC	PJC	JTW	

DRAWING TITLE: ELECTRICAL POWER BACK OF STORE  
 PROJECT: PORTLAND FOOD CO. OP  
 PORTLAND, ME 04101

PROJECT# 14-062  
 DATE: 8/19/2014  
 SCALE: NOT TO SCALE



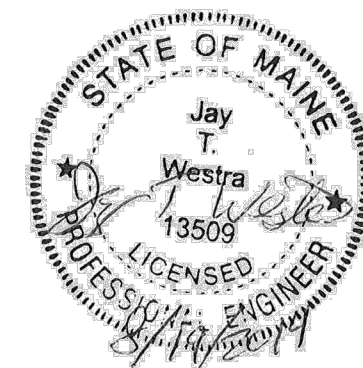
-  20 A Duplex GFCI Receptacle
-  2 Duplex Outlet Receptacles fed from 2, 20 A feeds
-  Dedicated Circuit
-  20A Receptacle
-  Service Switch

<b>Project: Portland Food Coop</b> <b>Location: 290 Congress Street</b> <b>Portland ME, 04101</b>
<b>Drawing: EP104</b>
<b>Electrical Power Plan Seating Area</b>
<b>Date: 08/18/14</b>

**Note: Exact location of receptacles in Deli are TBD at build out.**

**Note: All receptacles to be GFCI protected in seating area**

All wiring to be performed by licensed electricians to NFPA 70 and MUBEC. Grounding conductors to be run in all raceways.



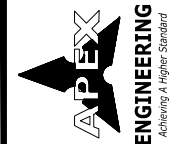
DRAWING TITLE: ELECTRICAL POWER PLAN SEATING AREA	PROJECT: PORTLAND FOOD CO-OP 290 CONGRESS ST PORTLAND, ME 04101
--	--

PROJECT# 14-062	DATE: 8/19/2014	SCALE: NOT TO SCALE	
--------------------	--------------------	------------------------	--

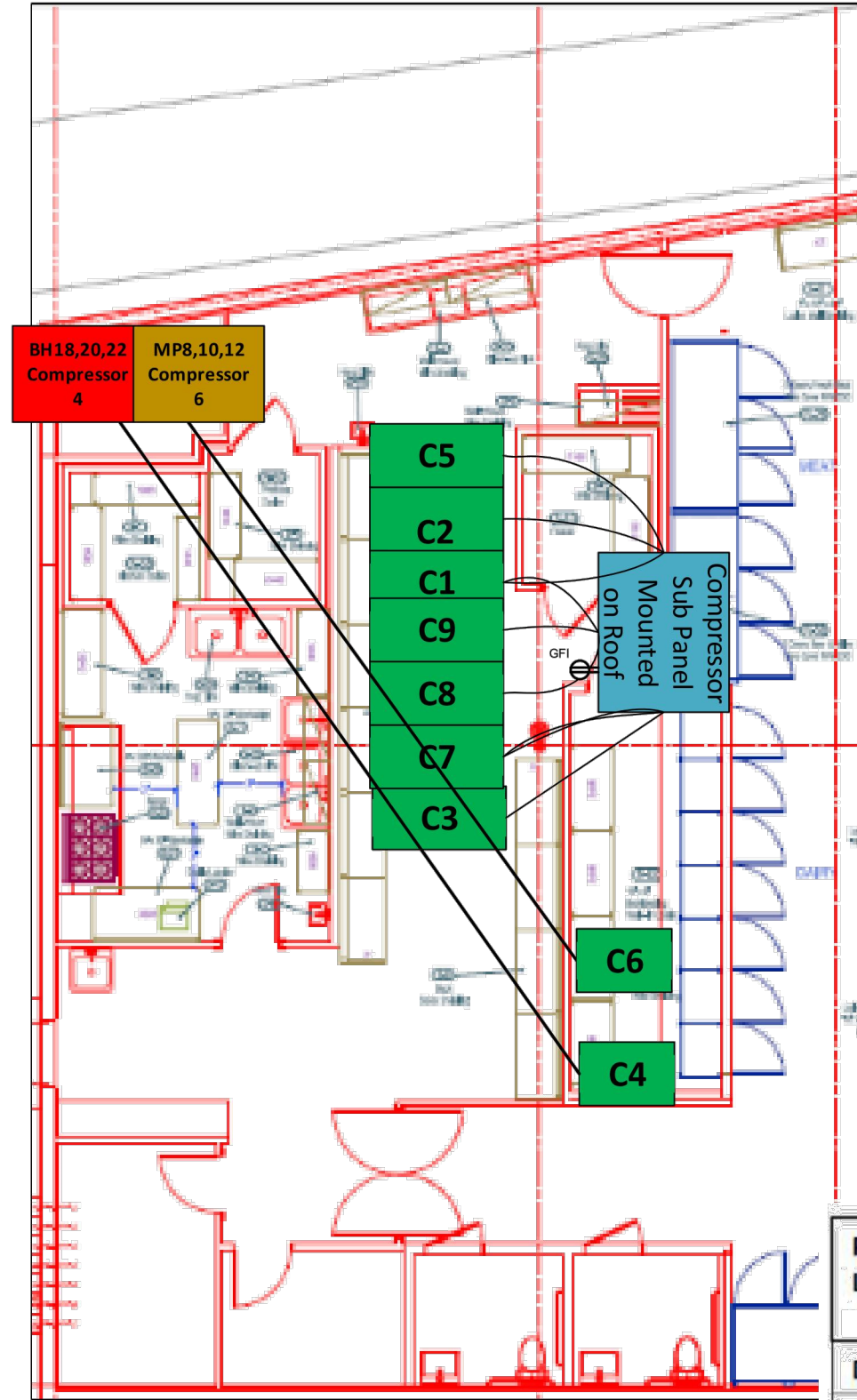
REV.	DATE	DESCRIPTION	DESIGN BY	DRAWN BY	JTW	REV. BY
0	8/19/2014	ISSUED FOR CONSTRUCTION	PJC	PJC	JTW	JTW

THESE DRAWINGS ARE THE PROPERTY OF APEX ENGINEERING CO. ANY REPRODUCTION OR DISTRIBUTION OF THESE DRAWINGS WITHOUT THE WRITTEN PERMISSION OF APEX ENGINEERING CO. IS PROHIBITED.

APEX ENGINEERING CO.  
190 US ROUTE ONE  
FALMOUTH MAINE, 04105  
TEL: (207) 847-3445  
FAX: (207) 847-3446  
WEB: apexengineering.co







C1, C2, C3, C5, C7, C8 and C9 are located on the roof and are fed from an exterior rated sub-panel, Compressor Panel, located on the roof

C4 and C6 located above the dairy walk in. Output feed water tank

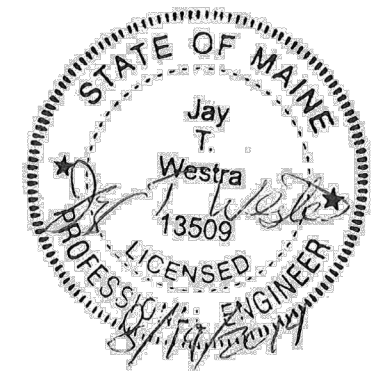
Compressor

Project: Portland Food Coop  
 Location: 290 Congress Street  
 Portland ME, 04101

Drawing: EP105

Electrical Power Compressors

Date: 08/18/14



DRAWING TITLE:	ELECTRICAL POWER COMPRESSORS
PROJECT:	PORTLAND FOOD CO. OP 290 CONGRESS ST PORTLAND, ME 04101

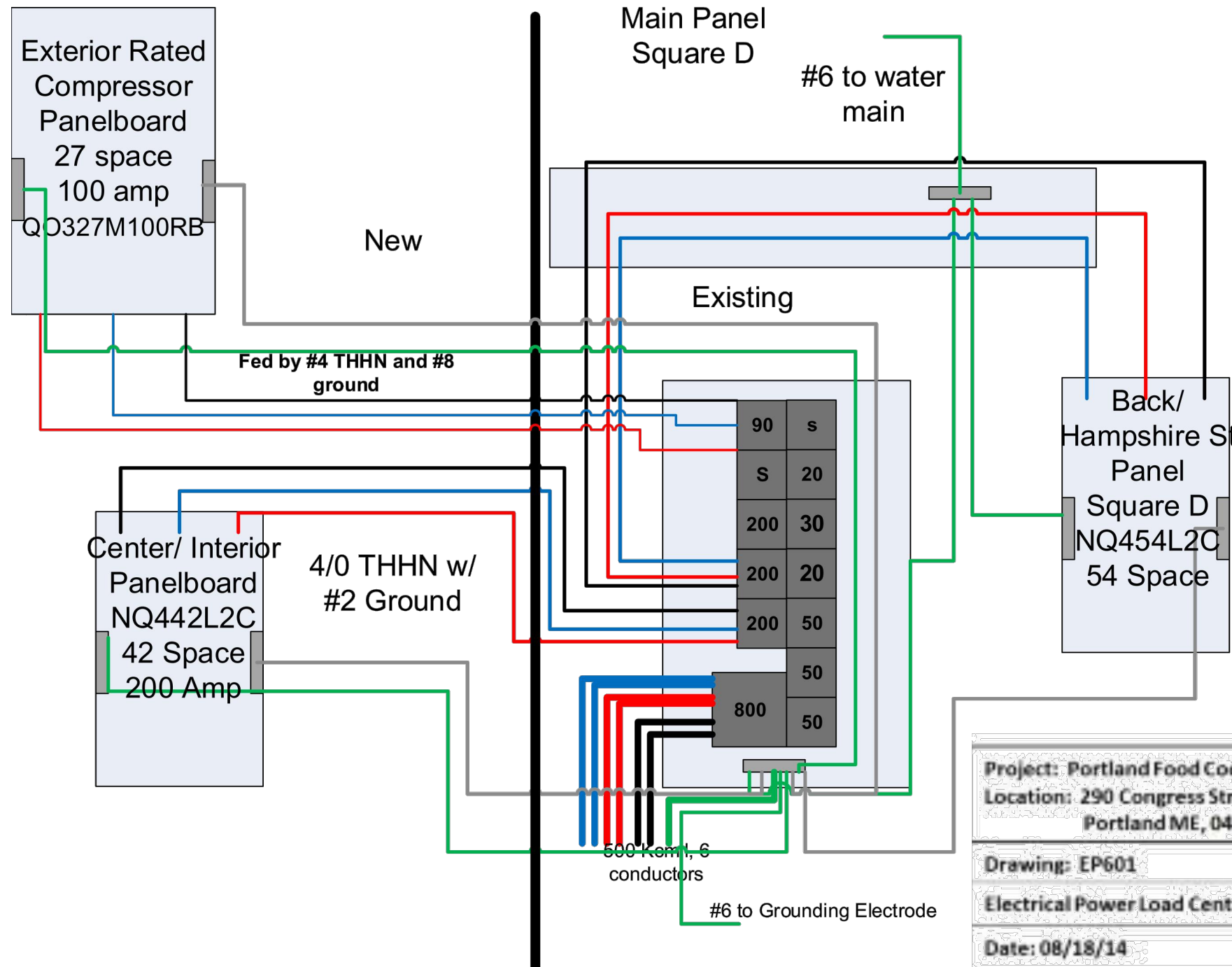
PROJECT#	14-062
DATE:	8/19/2014
SCALE:	NOT TO SCALE

REV.	DATE	DESCRIPTION	DESIGN BY	DRAWN BY	REV. BY
0	8/19/2014	ISSUED FOR CONSTRUCTION	PJC	PJC	JTW

THESE DRAWINGS ARE THE PROPERTY OF APEX ENGINEERING CO. ANY REPRODUCTION OR USE OF THESE DRAWINGS WITHOUT THE WRITTEN PERMISSION OF APEX ENGINEERING CO. IS PROHIBITED.

**APEX ENGINEERING CO.**  
 190 US ROUTE ONE  
 FNB 346  
 FALMOUTH MAINE, 04105  
 TEL: (207) 847-3445  
 FAX: (207) 847-3446  
 WEB: apexengineering.co

**ENGINEERING**  
 Achieving A Higher Standard



Project: Portland Food Coop  
 Location: 290 Congress Street  
 Portland ME, 04101

Drawing: EP601  
 Electrical Power Load Center

Date: 08/18/14



**APEX ENGINEERING CO.**  
 190 US ROUTE ONE  
 FALMOUTH MAINE, 04105  
 TEL: (207) 847-3445  
 FAX: (207) 847-3446  
 WEB: apexengineering.co

THESE DRAWINGS ARE THE PROPERTY OF APEX ENGINEERING CO. AND ARE TO BE USED ONLY FOR THE PROJECT AND SITE SPECIFICALLY IDENTIFIED. REPRODUCTION IS PROHIBITED.

REV.	DATE	DESCRIPTION	DESIGN BY	DRAWN BY	INW	REV. BY
0	8/19/2014	ISSUED FOR CONSTRUCTION	PJC	PJC		

DRAWING TITLE: ELECTRICAL POWER SERVICE  
 PROJECT: PORTLAND FOOD CO-OP  
 PORTLAND, ME 04101

PROJECT# 14-062  
 DATE: 8/19/2014  
 SCALE: NOT TO SCALE



APEX ENGINEERING CO.  
190 US ROUTE ONE  
FHB 346  
FALMOUTH MAINE, 04105  
TEL: (207) 847-3445  
FAX: (207) 847-3446  
WEB: apexengineering.co

Portland Food Coop	Panel Name	Main Panel	Brand	Square D
290 Congress Street	Voltage	120/208	Model	HCP32688
Portland Maine	Fed From	Service	Bus Bar Rating	800 A
EP602 Main Panel Schedule	Breaker	800 A	Main Breaker	MGA36800
5/22/2014	Amperage	42 total		
	Spaces	27 used		

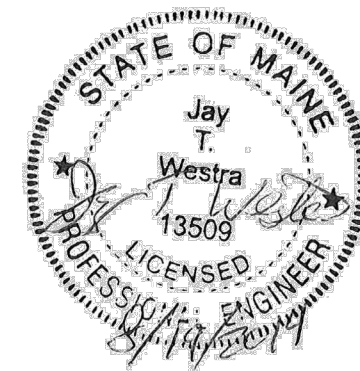
Ckt #	Name	OCPD A	Draw	Phase A	Phase B	Phase C	Ckt #	OCPD	Draw amps	
			Amps	Amps	Amps	Amps				
1			46.9	46.9			2			
3			44.4		44.4		4			
5	Compressor Panel FA3490	90	44.4			44.4	6	space		
7				9.4			8		9.4	
9					9.4		10		9.4	
11	Space					9.4	12	Compressor 6	20	9.4
13				9.4			14			
15					9.4		16			
17	Spare	200				9.4	18	Spare	30	
19			80.8	80.8			20			
21			101.2		101.2		22			
23	Back/ Hampshire St. Panel	200	100.4			100.4	24	Surge Protector	20	
25			103.7	103.7			26			
27			56.6		56.6		28			
29	Central/ Interior Panel	200	59.7			59.7	30	spare	50	
				0			32			
					0		34			
	Main	800				0	36	Rooftop Unit 2	50	
				0			38			
					0		40			
						0	42	Rooftop Unit 1	50	
		Total		250.2	221.0	223.2				

THESE DRAWINGS ARE  
PROPERTY OF APEX ENGINEERING  
ANY REPRODUCTION OR  
COPYING WITHOUT WRITTEN  
PERMISSION IS  
PROHIBITED.

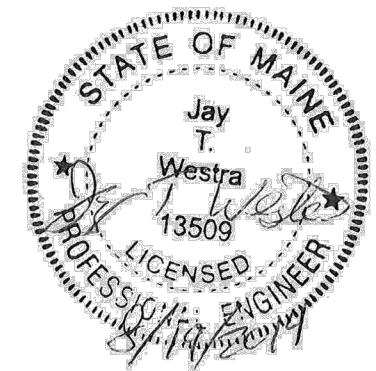
REV.	DATE	DESCRIPTION	DESIGN BY	DRAWN BY	REV.	BY
0	8/19/2014	ISSUED FOR CONSTRUCTION				

DRAWING TITLE:	MAIN PANELBOARD SCHEDULE
PROJECT:	PORTLAND FOOD CO. OP PORTLAND, ME 04101

PROJECT#	14-062
DATE:	8/19/2014
SCALE:	NOT TO SCALE



Portland Food Coop	Panel Name	Central Interior Panelboard					Brand	Square D	
290 Congress Street	Voltage	120/208					Model Number	NQ442L2C	
Portland Maine	Fed From	Main Panel					Bus Bar Rating	225 A	
EP603 Cental Interior Panelboard Schedule	Breaker	Square D QGA3220					Main Breaker	200a	
8/18/2014	Amperage	200					Interior Wall Surface Mount Conduit run (3/4")		
	Spaces	42 total					Central Lighting Conduit 3/4"		
		26 used					Center of store Power Conduit (1")		
							Office Area Conduit (1")		
Ckt #	Name	OCPD	Draw	Phase A	Phase B	Phase C	Ckt #	OCPD	Draw
		Amps	amps	amps	amps	amps		Amps	amps
1			7	18			2	20	11
3	Checkout Display/ Conveyor Belt 1	20	7		11		4	15	4
5			7			17	6		10
7	Checkout Display/ Conveyor Belt 2	20	7	17			8	20	10
9			10		16		10	20	6
11	Automatic Doors	20	10			16	12	20	9.6
13	Beverage Cooler	20	8.4	18			14		11.7
15	Vestibule and front of store GP recep.	20	7.5		17.1		16	15	11.7
17			4			15.7	18		11
19			8	19.7			20		8
21	Grab and Go Multi Wire Ckt	20	1.5		12.5		22	15	7
23	Express Checkout	20	3			11	24	15	3.4
25	Seating Area	20	12	19			26	15	5.4
27					0		28		
29						0	30		
31				0			32		
33					0		34		
35						0	36		
37				12			38		
39					0		40		
41						0	42		
		Total		103.7	56.6	59.7			



**APEX ENGINEERING CO.**  
 190 US ROUTE ONE  
 FALMOUTH MAINE, 04105  
 TEL: (207) 847-3445  
 FAX: (207) 847-3446  
 WEB: apexengineering.co

THESE DRAWINGS ARE THE PROPERTY OF APEX ENGINEERING CO. ANY REPRODUCTION OR USE OF THESE DRAWINGS WITHOUT THE WRITTEN PERMISSION OF APEX ENGINEERING CO. IS PROHIBITED.

REV.	DATE	DESCRIPTION	DESIGN BY	DRAWN BY	CHK BY	APP BY
0	8/19/2014	ISSUED FOR CONSTRUCTION				

DRAWING TITLE: CENTER INTERIOR PANELBOARD SCHEDULE  
 PROJECT: PORTLAND FOOD CO. OP  
 PORTLAND, ME 04101

PROJECT# 14-062  
 DATE: 8/19/2014  
 SCALE: NOT TO SCALE

Portland Food Coop	Panel Name	Back/ Hampshire St. Panelboard			Brand	Square D
290 Congress Street	Voltage	120/208			Model Number	NQ454L2C
Portland Maine	Fed From	Main Panel			Bus Bar Rating	225 A
General Panel Plan	Breaker	Square D QGA3220			Main Breaker	200a
8/18/2014	Amperage	220			Fed from MC to back area	
Existing Panel on rt as you walk in Electrical rm.	Spaces	54 available			Hampshire Street Surface mount conduit	
		32 used				

Ckt #	Name	OCPD Amps	Draw amps	Phase A	Phase B	Phase C	Ckt #	OCPD Amps	Draw amps
				amps	amps	amps			
1	GP Kitchen Sink Receptacle	20	3	9			2	20	6
3	GP Produce Prep, Receiving Receptacle	20	7.5		19.5		4		12
5			3			15	6		12
7	GP Heavy Use Receptilce Bank 1	20	3	4.5			8	20	1.5
9			10		22		10		12
11	GP Heavy Use Receptilce Bank 2	20	10			22	12		12
13			10	11.5			14	20	1.5
15	GP Heavy Use Receptilce Bank 3	20	10		16		16	15	6
17	Range, Hood, Air, Fire Supression	20	2			21.2	18		19.2
19	Meat and Beer Coolers	15	4.5	23.7			20		19.2
21	Walk in Freezer and Walk in Dairy lights	15	2		21.2		22	45	19.2
23	Lights Produce Prep/ Receiving/Kitchen, rear wall, Electrical Room	15	6.2			6.2	24		
25	Spare	20	2.1	2.1			26		
27	Electrial Room GFCI	20	1.5		1.5		28		
29			22			22	30		
31	5 door Freezer Case Defrost	30	22	22			32		
33			13		13		34		
35	3 door Freezer Case Defrost	20	13			13	36		
37	LT-2 Walk in Freezer and Walk in Dairy		8	8			38		
39	Evaporator and lighs	20	8		8		40		
41			1			1	42		
43			1	1			44		
45					0		46		
47						0	48		
49				0			50		
51					0		52		
53						0	54		
			Total	80.8	101.2	100.4			

Portland Food Coop
290 Congress Street
Portland Maine
General Panel Plan
8/18/2014



**APEX ENGINEERING**  
 Achieving A Higher Standard

190 US ROUTE ONE  
 FALMOUTH MAINE, 04105  
 TEL: (207) 847-3445  
 FAX: (207) 847-3446  
 WEB: apexengineering.co

THESE DRAWINGS ARE  
 THE PROPERTY OF APEX ENGINEERING  
 AND ARE NOT TO BE REPRODUCED OR  
 COPIED IN ANY MANNER WITHOUT  
 THE WRITTEN PERMISSION OF  
 APEX ENGINEERING

REV.	DATE	DESCRIPTION	DESIGN BY	DRAWN BY	ITW REV. BY
0	8/19/2014	ISSUED FOR CONSTRUCTION	PJC	PJC	JTW

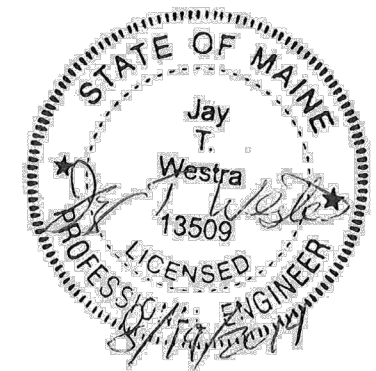
DRAWING TITLE: BACK HAMPSHIRE ST. PANELBOARD SCHEDULE  
 PROJECT: PORTLAND FOOD CO. OP  
 290 CONGRESS STREET  
 PORTLAND, ME 04101

PROJECT# 14-062  
 DATE: 8/19/2014  
 SCALE: NOT TO SCALE

Portland Food Coop	Panel Name	Compressor Subpanel	Brand	QO
290 Congress Street	Voltage	120/208	Model Number	QO327M100RB
Portland Maine	Fed From	Main Panel	Bus Bar Rating	125 amp
General Panel Plan	Breaker	FA3490	Main Breaker	90 amp
8/18/2014	Ckt Ampacity	85 amps	Rating	Nema 3
Location: rooftop	Spaces	27		
EP605				

Ckt #	Name	OCPD A	Draw			Ckt #	OCPD	Draw
			Amps	Phase A Amps	Phase B Amps			
1	Service Receptical	20	1.5	8.2		2		6.7
3			6.7		13.4	4		6.7
5			6.7		13.4	6	Compressor 1	6.7
7	Compressor 2	15	6.7	14.7		8		8
9			15		23	10	Compressor 5	8
11	Compressor 3	30	15		23	12		8
13			8	16		14	Compressor 8	8
15	Compressor 7	20	8		8	16	Space	
17			8		8	18	Space	
19	Compressor 9	20	8	8		20	Space	
21	Space				0	22	Space	
23	Space				0	24	Space	
25	Space			0		26	Space	
27	Space				0	28	Space	
Total				46.9	44.4			
Feed conductor Ampacity						48.15 amps		
Feed Ampacity Calculation based on 1.25x largest load plus amperage of all other loads						85 amps		
Circuit Ampacity						85 amps		



**APEX ENGINEERING CO.**  
 190 US ROUTE ONE  
 FALMOUTH MAINE, 04105  
 TEL: (207) 847-3445  
 FAX: (207) 847-3446  
 WEB: apexengineering.co

THESE DRAWINGS ARE THE PROPERTY OF APEX ENGINEERING CO. ANY REPRODUCTION OR USE OF THESE DRAWINGS WITHOUT THE WRITTEN PERMISSION OF APEX ENGINEERING CO. IS PROHIBITED.

REV.	DATE	DESCRIPTION	DESIGN BY	DRAWN BY	CHK BY
0	8/19/2014	ISSUED FOR CONSTRUCTION			

DRAWING TITLE: COMPRESSOR PANELBOARD SCHEDULE  
 PROJECT: PORTLAND FOOD CO. OP  
 PORTLAND, MAINE 04101

PROJECT# 14-062  
 DATE: 8/19/2014  
 SCALE: NOT TO SCALE

**Refrigeration Loads:**

Provide ECM Fan motors in all Evaporators

Provide LED lighting on all Doors and Produce Cases

Provide Night Curtians on all Produce Cases

Roof-top  
 Inside-water heating  
 Compressor

**Low Temp**

Sys #	Description	Refrig Load Btu/hr	Evap T	Lights Amps Volts	A.C.H. Amps Volts	Fans Amps Volts	Defrost Amps Volts	Controls	Compressor Number	Load BTU/hr RLA Volts	MCA	MOCPPD	Compressor model number	
LT1	3 door reach in Freezer	9,070	-18	2.1 120/1ph	1.1 120/1ph	2.2 120/1ph	33.0 208/1ph	Anti sweat controls	C1	6100	6.7	208/3p	15	182x LHT025X6E
	6 door reach in Freezer	8,200	-18	3.1 120/1ph	1.7 120/1ph	2.0 120/1ph	22.6 208/1ph	Share Lighting controller with MT 6	C2	6200	6.7	208/3p	15	182x LHT025X6E
Total:		13,070												
two temperatures means two compressors?														
What type of anti sweat control heaters are on this?														
Condensing unit														
Bohn BZN030L6														
rated at...		11,130												
Btu/hr														
-20F														
0.9														
safety factor														

**Mid Temp**

Sys #	Description	Refrig Load Btu/hr	S.P.	Evaporator Model Btu/hr	S.F.	Fans Amps Volts	Defrost Amps Volts	Controls	Compressor Number	Load BTU/hr RLA Volts	MCA	MOCPPD	Compressor model number		
MT1	HPh OHP-12-A MD Produce	18,000	26	1.14 120/1ph		1.34 120/1ph		Lights on timer							
MT2	HPh ONSDM-12-A MD Produce	18,000	22	1.14 120/1ph		1.34 120/1ph		Night time curtains	C4	45000	19.2	208/3p	28	45	LZT055M6C
MT3	HPh ONSDM-8-A MD Produce	12,000	22	0.75 120/1ph		0.96 120/1ph		Lights on Timer							
MT4	Zero Zone RVMC30-C (Meat)	1,865	28	0.70 120/1ph	0.54	120/1 ph	0.90	120/1 ph	C5	5940	6	208/2p	20	20	LHT009Z6BFM
MT4	Zero Zone RVMC30-B (Beer)	1,865	34	0.70 120/1ph	0.54	120/1 ph	0.90	120/1 ph	C6	25000	9.4	208/3p	15	20	LHT030X6CFM
MT5	152 sq ft Dairy Cooler with 7 Ri drs	22,881	34	2x LCE8120SB	1.28	2080	1.5	208							
MT6	Produce Grab and Go 5 door Deli	4,550	32	0.64	2.15	120/1 ph	1.5	120/1 ph	C7	8420	6	208/2p	20	20	LHT009Z6BFM
MT7	48 sq ft Produce Walk in Cooler	7,435	38	Bohn ADT065 AE	650	1.57	1.0	120/1 ph	C8	8420	6	208/2p	20	20	LHT009Z6BFM
MT8	41 sq ft Kitchen Walk in Cooler	6,101	34	Bohn LLE065 AE	650	1.49	1.0	120/1 ph	C9	8420	6	208/2p	20	20	LHT009Z6BFM
Total:		92,996													
Condensing unit															
Kysor-Warren TZ300-016-SC-3-DSPC (R404A/S07)															
rated at...		116,781													
Btu/hr															
20F															
1.3															
safety factor															
Size the branch-circuit conductors at 125 percent of the larger motor-compressor current plus the sum of the rated-load currents of the other compressors (440.33).										97.375					
zero energy or heated doors on the zero zone?															



**APEX ENGINEERING**  
 Achieving A Higher Standard

APEX ENGINEERING CO.  
 150 US ROUTE ONE  
 FALMOUTH MAINE, 04105

TEL: (207) 847-3445  
 FAX: (207) 847-3446  
 WEB: apexengineering.co

THESE DRAWINGS ARE THE PROPERTY OF APEX ENGINEERING. NO REPRODUCTION OR TRANSMISSION OF ANY PARTS HEREOF IS PERMITTED WITHOUT THE WRITTEN CONSENT OF APEX ENGINEERING.

REV.	DATE	DESCRIPTION	DESIGN BY	DRAWN BY	JTW	REV. BY
0	8/19/2014	ISSUED FOR CONSTRUCTION				

DRAWING TITLE: REFRIGERATION EQUIPMENT SCHEDULE

PROJECT: PORTLAND FOOD CO. OP  
 100 LANGRISH ST  
 PORTLAND, ME 04101

PROJECT# 14-062

DATE: 8/19/2014

SCALE: NOT TO SCALE