

— PLAN VIEW A —

SCALE: 1/2" = 1' - 0"

SPECIFICATIONS

7'-9" X 6'-9 1/2" X 8'-6"

INSTALLATION

- INDOOR
- LOADING HEIGHT - AT LEAST 18" OF OPEN SPACE MUST BE MAINTAINED BETWEEN TOP OF PRODUCT AND CEILING PANELS

INSULATION

- FOAMED IN-PLACE Poured URETHANE

EXTERIOR FINISH

- EMBOSSED GALVALUME

INTERIOR FINISH

- EMBOSSED GALVALUME

FLOOR FINISH

- (INTERIOR) SMOOTH ALUMINUM
- (EXTERIOR) EMBOSSED GALVALUME

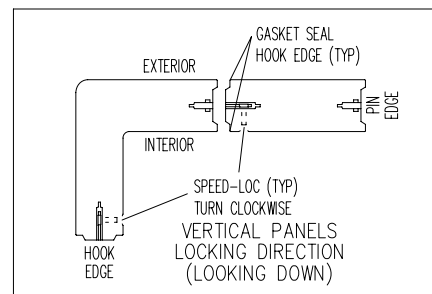
DOORS/ACCESSORIES

- (1) 36" X 78" LEFT SWING HINGED WALK-IN DOOR
- PRP
- STRIP CURTAIN
- WEISS XWA LIGHT MANAGER W/ MAGNETIC SWITCH

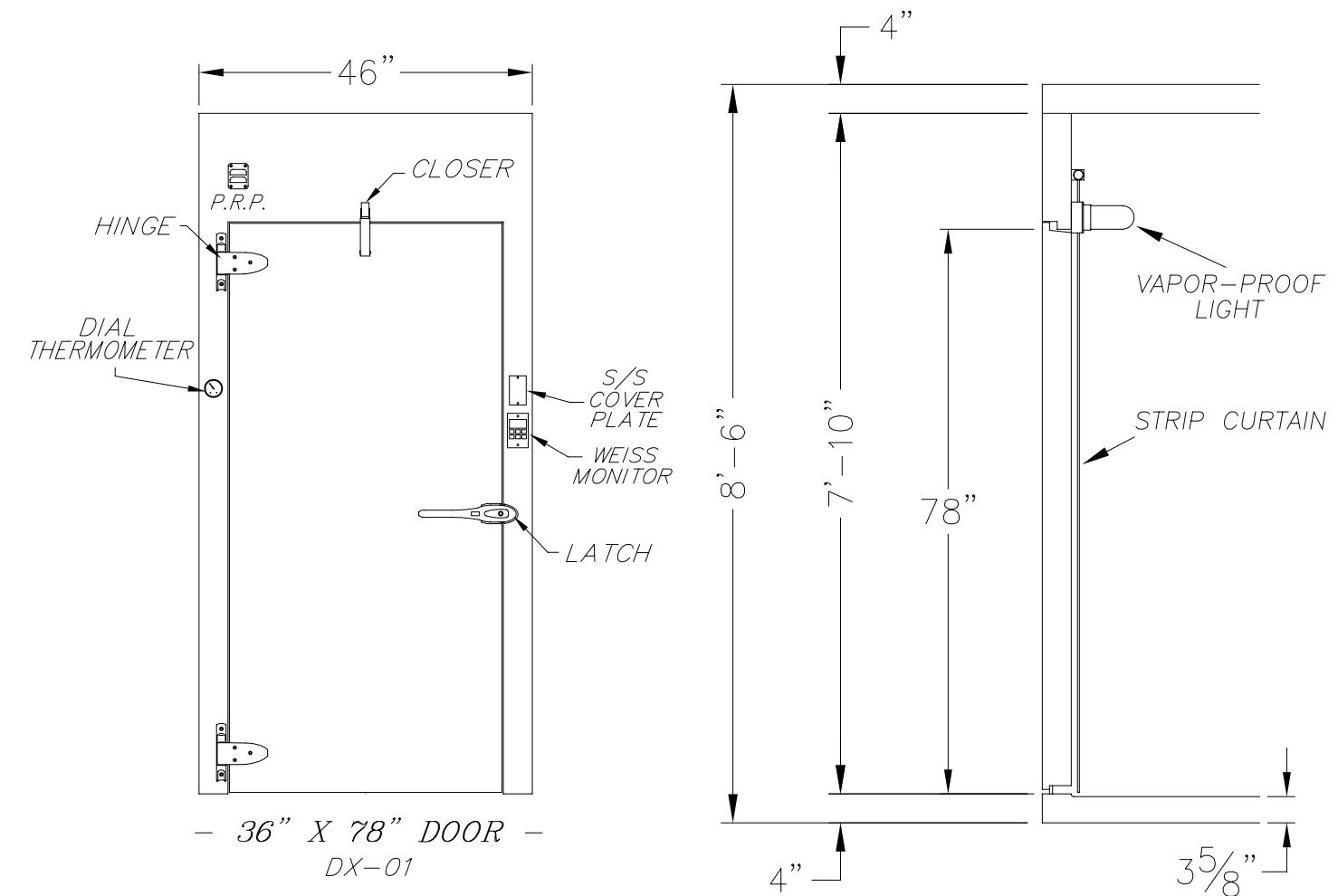
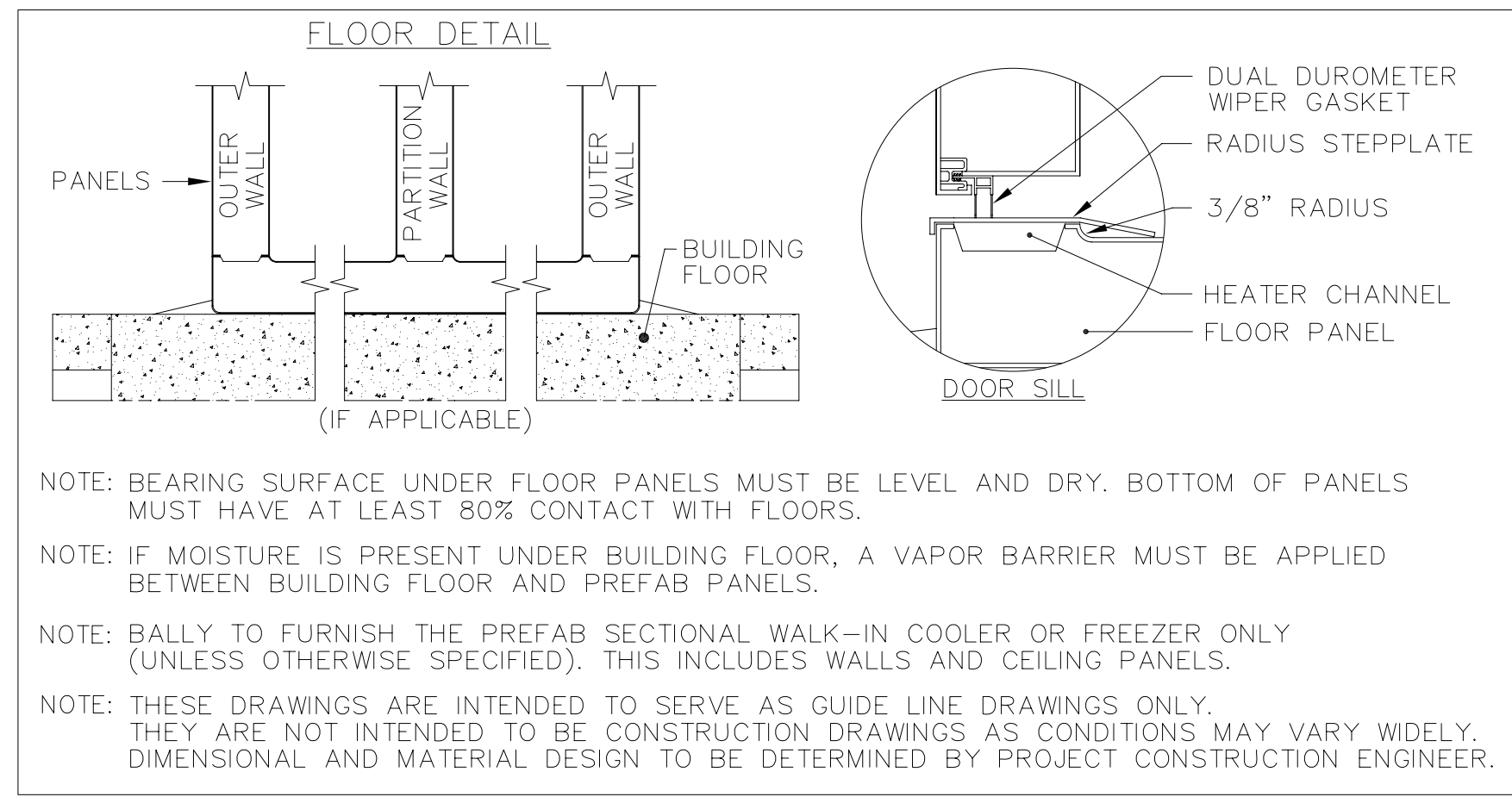
REFRIGERATION - BY OTHERS

- REFRIGERATION DESIGN, INSTALLATION/MOUNTING & SUPPORT ALL BY OTHERS.
- BLOWER COILS WHICH WEIGH MORE THAN 150 LBS. CANNOT BE SUSPENDED DIRECTLY FROM BALLY CEILING PANELS.

BALLY FLOOR PANEL GUIDELINES
 STATIONARY LOAD:
 LIMIT 500 LBS./SQ. FT. (UNIFORMLY DISTRIBUTED)
 MOBILE EQUIPMENT (DOLLIES OR CARTS):
 BALLY FLOOR PANELS MUST BE REINFORCED WITH FOAMED PLYWOOD UNDER INTERIOR FLOOR SKIN. (ALUMINUM DIAMOND TREAD OVERLAY IS ALSO AN OPTION).
 FORK-LIFT USE:
 A MINIMUM OF 4" REINFORCED CONCRETE MUST BE POURED OVER BALLY FLOOR PANELS.
 AIR GAP/CIRCULATION RECOMMENDATION:
 BALLY RECOMMENDS A 2" GAP BETWEEN WALK-IN VERTICAL PANELS AND EXISTING BUILDING WALLS FOR PROPER AIR CIRCULATION. IT IS ALSO RECOMMENDED THAT AIR EXCHANGE/CIRCULATION BE PROVIDED FOR WALK-INS THAT ARE WITHIN AN ENCLOSED AREA.



THIS DRAWING IS TO BE USED FOR "APPROVAL ONLY".
 -> DO NOT USE THIS DRAWING FOR INSTALLATION!
 EVERY SHIPPED ORDER WILL HAVE A FINALIZED "AS-BUILT" DRAWING.



— SECTION VIEW —
 THRU ENTRANCE DOOR
 SCALE: 1/2" = 1' - 0" SHEET 1 OF 3

RESTRICTED, CONFIDENTIAL DOCUMENT.

THIS DRAWING AND ALL INFORMATION SHOWN HEREON ARE THE EXCLUSIVE PROPERTY OF BALLY REFRIGERATED BOXES INC. ARE SUBMITTED ONLY ON A CONFIDENTIAL BASIS. THE RECIPIENT AGREES NOT TO REPRODUCE THE DRAWING, TO RETURN IT UPON REQUEST, AND THAT NO DISCLOSURE OF THE DRAWING OR THE INFORMATION SHOWN HEREON WILL BE MADE TO A THIRD PARTY WITHOUT PRIOR WRITTEN CONSENT FROM BALLY REFRIGERATED BOXES INC.

SIGNED APPROVAL

SIGNED _____

DATE _____

PLEASE READ

THIS DRAWING HAS BEEN CAREFULLY CHECKED BY OUR DRAFTING DEPARTMENT. HOWEVER, ERRORS OF INTERPRETATION CAN OCCUR. THEREFORE, BEFORE YOU RETURN DRAWING MARKED "APPROVED", BE CERTAIN THAT YOU CHECK THEM CAREFULLY.

NOTE - THIS ORDER WILL NOT BE SCHEDULED FOR PRODUCTION UNTIL RECEIPT OF APPROVED DRAWINGS BY BALLY.

IMPORTANT - PLEASE READ

THESE DRAWINGS ARE NOT TO BE CONSIDERED AS APPROVED BY LOCAL OR STATE BUILDING AUTHORITIES. THEY HAVE BEEN PREPARED SOLELY FOR THE GUIDANCE OF REGISTERED ARCHITECTS AND ENGINEERS AND FOR THE ASSISTANCE OF LOCAL INSTALLERS. IT IS THE RESPONSIBILITY OF THE PROJECT ARCHITECT OR ENGINEER TO ASSURE THE BUILDING DESIGN MEETS LOCAL CODE REQUIREMENTS. THIS INCLUDES STRUCTURAL DESIGN AS WELL AS ANY WORK PERFORMED BY THE GENERAL CONTRACTOR. BALLY REFRIGERATED BOXES INC., IN PREPARING THESE DRAWINGS AND SPECIFICATIONS, DOES NOT ASSUME ANY RESPONSIBILITY FOR THE SUCCESSFUL COMPLETION OR USAGE OF THE STRUCTURE DESCRIBED.

THE DRAWINGS AND SPECIFICATIONS DESCRIBE A BUILDING ASSEMBLED FROM BALLY PANELS INSULATED WITH URETHANE "FOAMED-IN-PLACE". THE SIZE AND SHAPE IS THAT WHICH MOST CLEARLY MEETS DIMENSIONS SUBMITTED BY THE USER.

BALLY REFRIGERATED BOXES INC., PROVIDES PANELS FREQUENTLY SPECIFIED BY OTHERS, AND IS NOT RESPONSIBLE FOR THE SELECTION OR RECOMMENDATION BY OTHERS OF THE PANEL FINISH FOR ANY BUILDING OR WALK-IN APPLICATION.

REV	DESCRIPTION	BY	DATE

Bally REFRIGERATED BOXES INC.

BALLY (NC OFFICE)
 135 LITTLE NINE DRIVE
 MOREHEAD CITY, NC 28557
 PHONE: (252) 240-2829
 FAX: (252) 240-0384

BALLY (PA OFFICE)
 20 NORTH FRONT ST. (SUITE 8)
 BALLY, PA 19503
 PHONE: (610) 702-2210
 FAX: (610) 702-2211

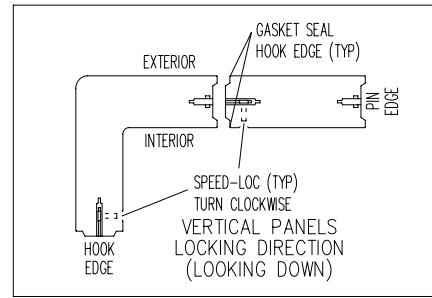
FOR **PORTLAND FOOD CO-OP**

DRAWING NUMBER	5032814AAC	DATE	04/21/14
DRAWN BY	RCB	ORDER NUMBER	5032814
LBL'D BY		CHK'D BY	



AIR GAP/CIRCULATION RECOMMENDATION
BALLY RECOMMENDS A 2" GAP BETWEEN WALK-IN
VERTICAL PANELS AND EXISTING BUILDING WALLS FOR
PROPER AIR CIRCULATION. IT IS ALSO RECOMMENDED
THAT AIR EXCHANGE/CIRCULATION BE PROVIDED FOR
WALK-INS THAT ARE WITHIN AN ENCLOSED AREA.

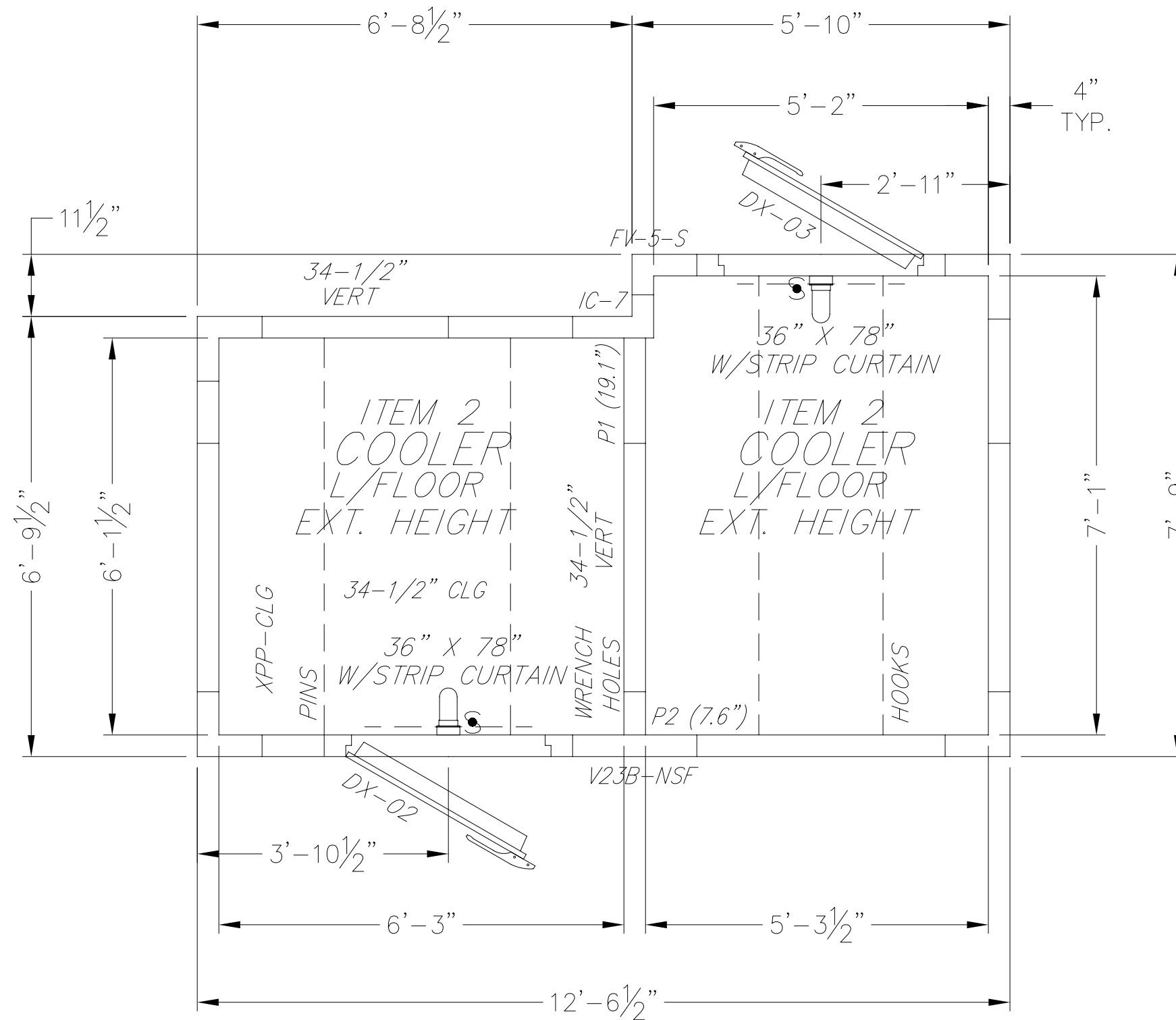
S - ELECTRICAL CONNECTION



THIS DRAWING IS TO BE USED FOR
"APPROVAL ONLY".

-> DO NOT USE THIS DRAWING
FOR INSTALLATION!

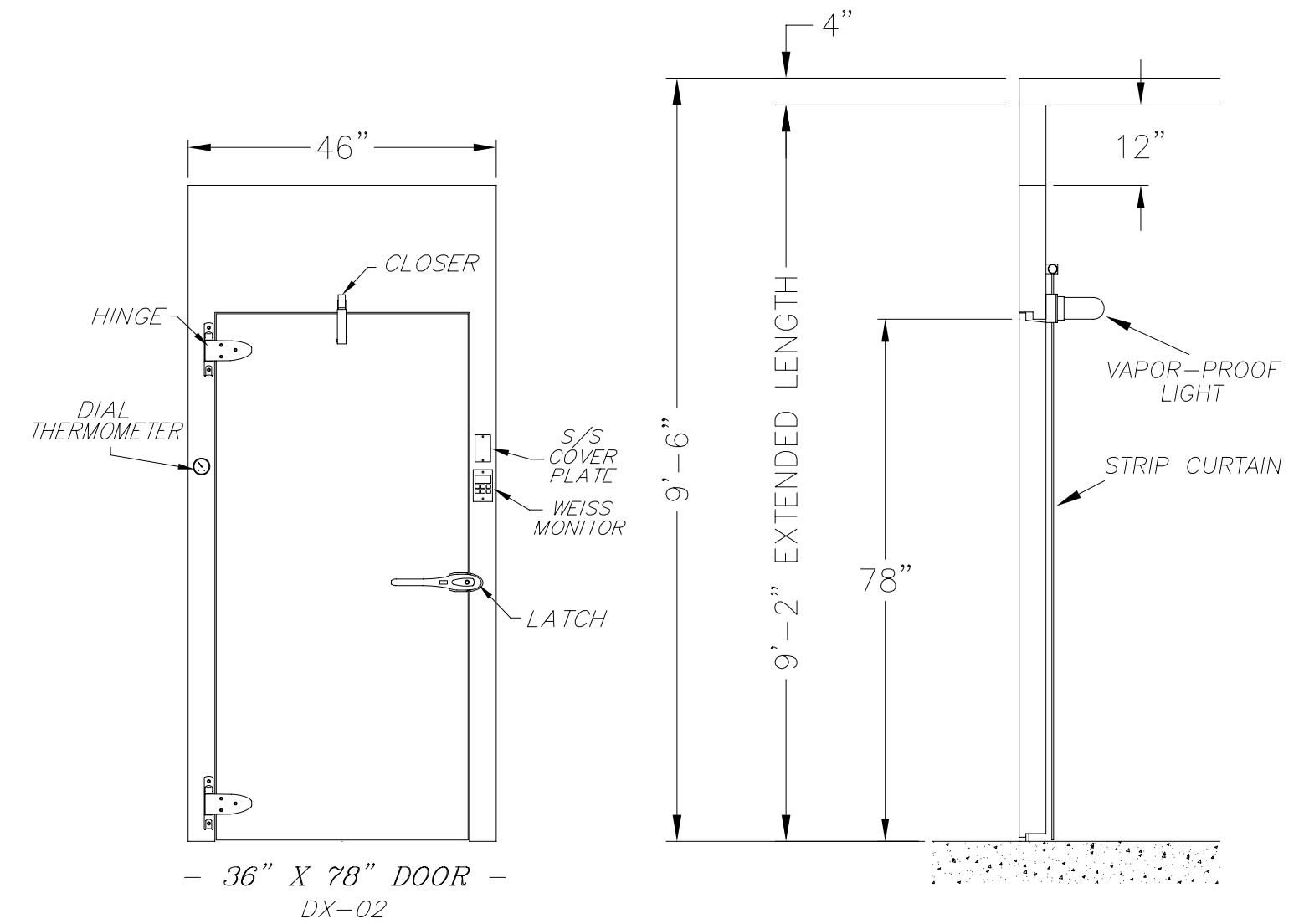
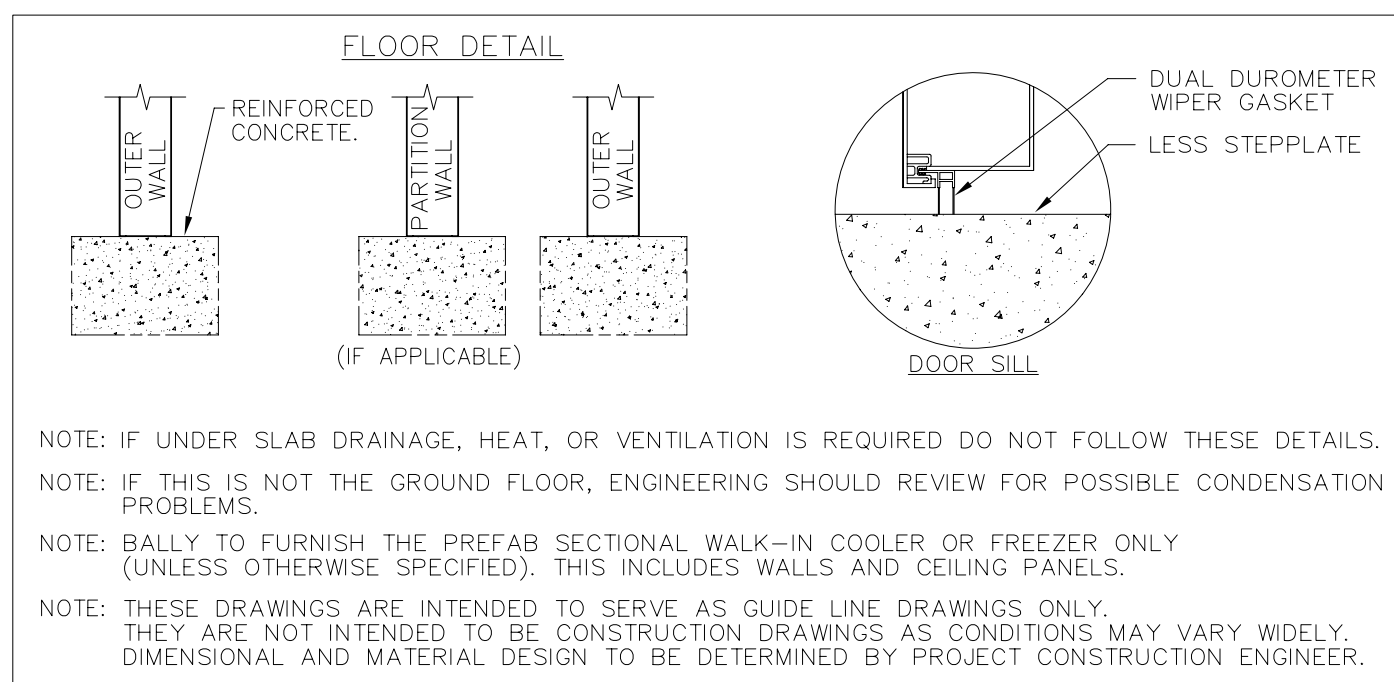
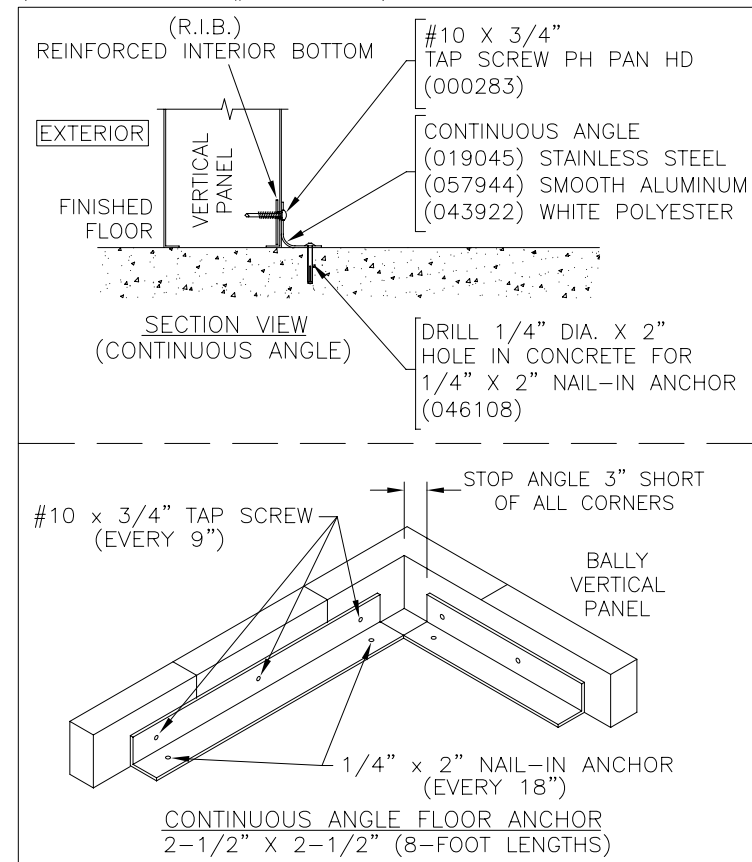
EVERY SHIPPED ORDER WILL HAVE
A FINALIZED "AS-BUILT" DRAWING.



— PLAN VIEW B —

SCALE: 1/2" = 1' - 0"

BALLY TO FURNISH CONTINUOUS ANGLE VERTICAL PANEL ATTACHMENT.
(SEE INSTRUCTION #IM-357-92.)



— SECTION VIEW —
THRU ENTRANCE DOOR

SCALE: 1/2" = 1' - 0" SHEET 2 OF 3

RESTRICTED, CONFIDENTIAL DOCUMENT.

THIS DRAWING AND ALL INFORMATION SHOWN
HEREON ARE THE EXCLUSIVE PROPERTY OF
BALLY REFRIGERATED BOXES INC. ARE
SUBMITTED ONLY ON A CONFIDENTIAL BASIS.
THE RECIPIENT AGREES NOT TO REPRODUCE
THE DRAWING, TO RETURN IT UPON REQUEST,
AND THAT NO DISCLOSURE OF THE DRAWING
OR THE INFORMATION SHOWN HEREON WILL BE
MADE TO A THIRD PARTY WITHOUT PRIOR
WRITTEN CONSENT FROM BALLY REFRIGERATED
BOXES INC.

SIGNED APPROVAL

SIGNED _____

DATE _____

PLEASE READ

THIS DRAWING HAS BEEN CAREFULLY CHECKED BY OUR DRAFTING
DEPARTMENT. HOWEVER, ERRORS OF INTERPRETATION CAN
OCCUR. THEREFORE, BEFORE YOU RETURN DRAWING MARKED
"APPROVED", BE CERTAIN THAT YOU CHECK THEM CAREFULLY.

NOTE - THIS ORDER WILL NOT BE SCHEDULED FOR PRODUCTION
UNTIL RECEIPT OF APPROVED DRAWINGS BY BALLY.

IMPORTANT - PLEASE READ

THESE DRAWINGS ARE NOT TO BE CONSIDERED AS APPROVED BY LOCAL OR STATE BUILDING AUTHORITIES.

THEY HAVE BEEN PREPARED SOLELY FOR THE GUIDANCE OF REGISTERED ARCHITECTS AND ENGINEERS AND FOR THE ASSISTANCE OF
LOCAL INSTALLERS. IT IS THE RESPONSIBILITY OF THE PROJECT ARCHITECT OR ENGINEER TO ASSURE THE BUILDING DESIGN MEETS
LOCAL CODE REQUIREMENTS. THIS INCLUDES STRUCTURAL DESIGN AS WELL AS ANY WORK PERFORMED BY THE GENERAL CONTRACTOR.
BALLY REFRIGERATED BOXES INC. IN PREPARING THESE DRAWINGS AND SPECIFICATIONS, DOES NOT ASSUME ANY RESPONSIBILITY
FOR THE SUCCESSFUL COMPLETION OR USAGE OF THE STRUCTURE DESCRIBED.

THE DRAWINGS AND SPECIFICATIONS DESCRIBE A BUILDING ASSEMBLED FROM BALLY PANELS INSULATED WITH URETHANE
"FOAMED-IN-PLACE". THE SIZE AND SHAPE IS THAT WHICH MOST CLEARLY MEETS DIMENSIONS SUBMITTED BY THE USER.

BALLY REFRIGERATED BOXES INC. PROVIDES PANELS FREQUENTLY SPECIFIED BY OTHERS, AND IS NOT RESPONSIBLE FOR THE
SELECTION OR RECOMMENDATION BY OTHERS OF THE PANEL FINISH FOR ANY BUILDING OR WALK-IN APPLICATION.



BALLY (NC OFFICE)
135 LITTLE NINE DRIVE
MOREHEAD CITY, NC 28557
PHONE: (252) 240-2829
FAX: (252) 240-0384

BALLY (PA OFFICE)
20 NORTH FRONT ST. (SUITE 8)
BALLY, PA 19503
PHONE: (610) 702-2210
FAX: (610) 702-2211

FOR PORTLAND FOOD CO-OP

DRAWING NUMBER 5032814BBC

DRAWN BY RCB

LBL'D BY

DATE LBL'D

CHK'D BY

DATE 04/21/14

ORDER NUMBER

5032814

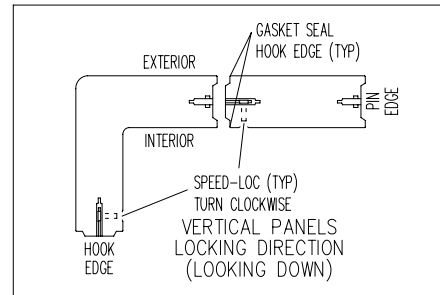
REV DESCRIPTION

BY DATE



AIR GAP/CIRCULATION RECOMMENDATION - BALLY RECOMMENDS A 2" GAP BETWEEN WALK-IN VERTICAL PANELS AND EXISTING BUILDING WALLS FOR PROPER AIR CIRCULATION. IT IS ALSO RECOMMENDED THAT AIR EXCHANGE/CIRCULATION BE PROVIDED FOR WALK-INS THAT ARE WITHIN AN ENCLOSED AREA.

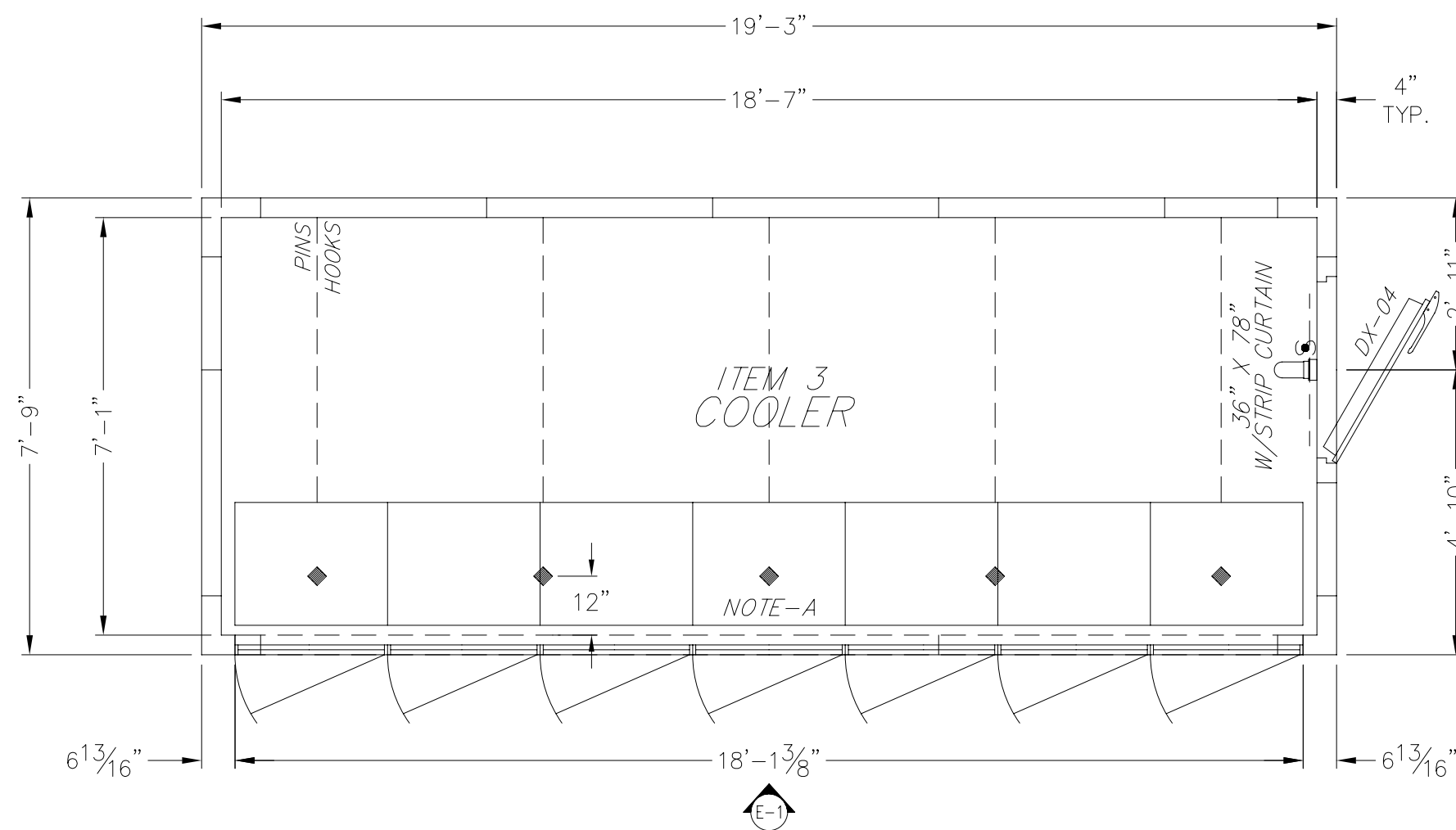
S - ELECTRICAL CONNECTION



THIS DRAWING IS TO BE USED FOR "APPROVAL ONLY".

-> DO NOT USE THIS DRAWING FOR INSTALLATION!

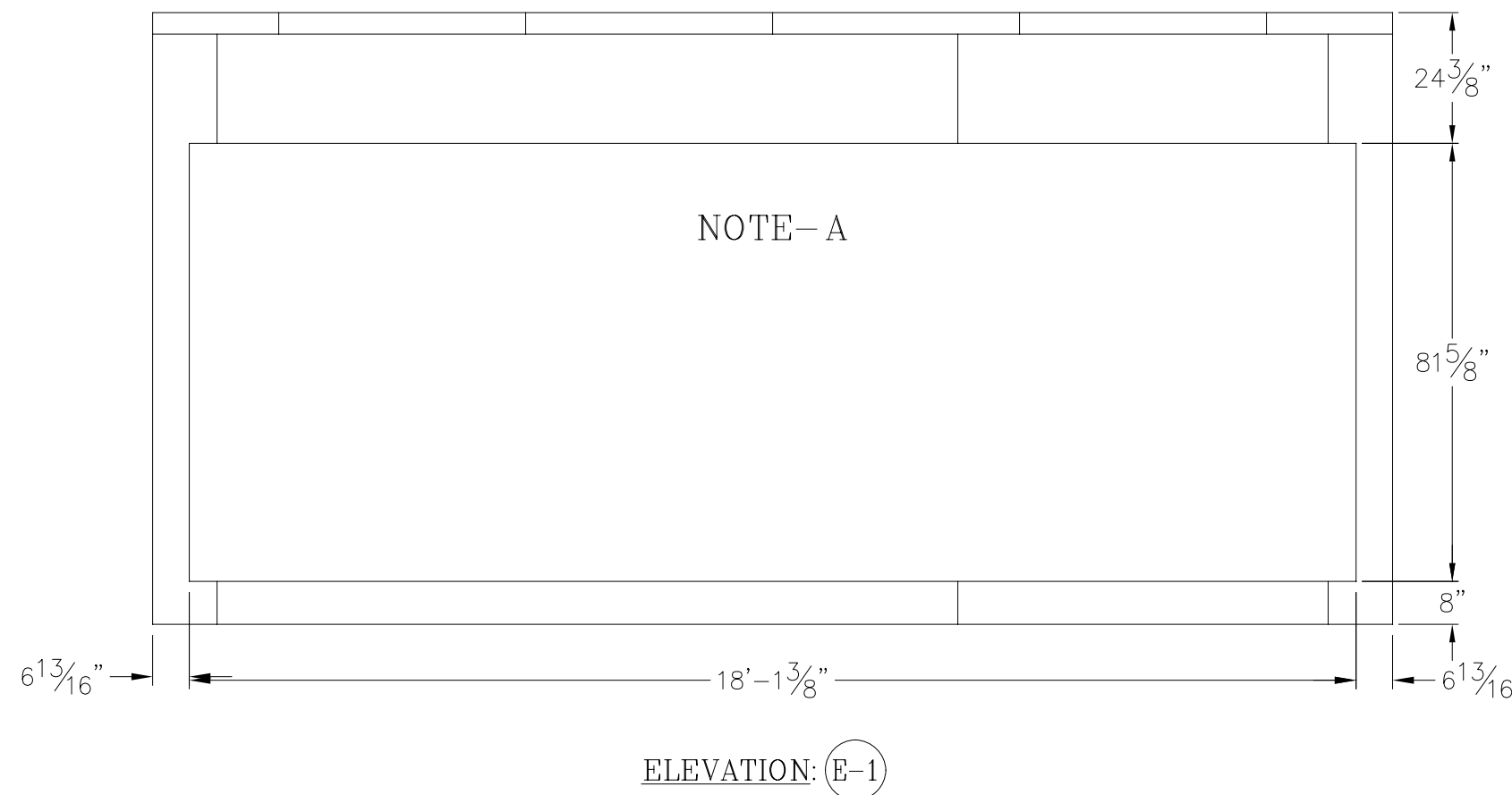
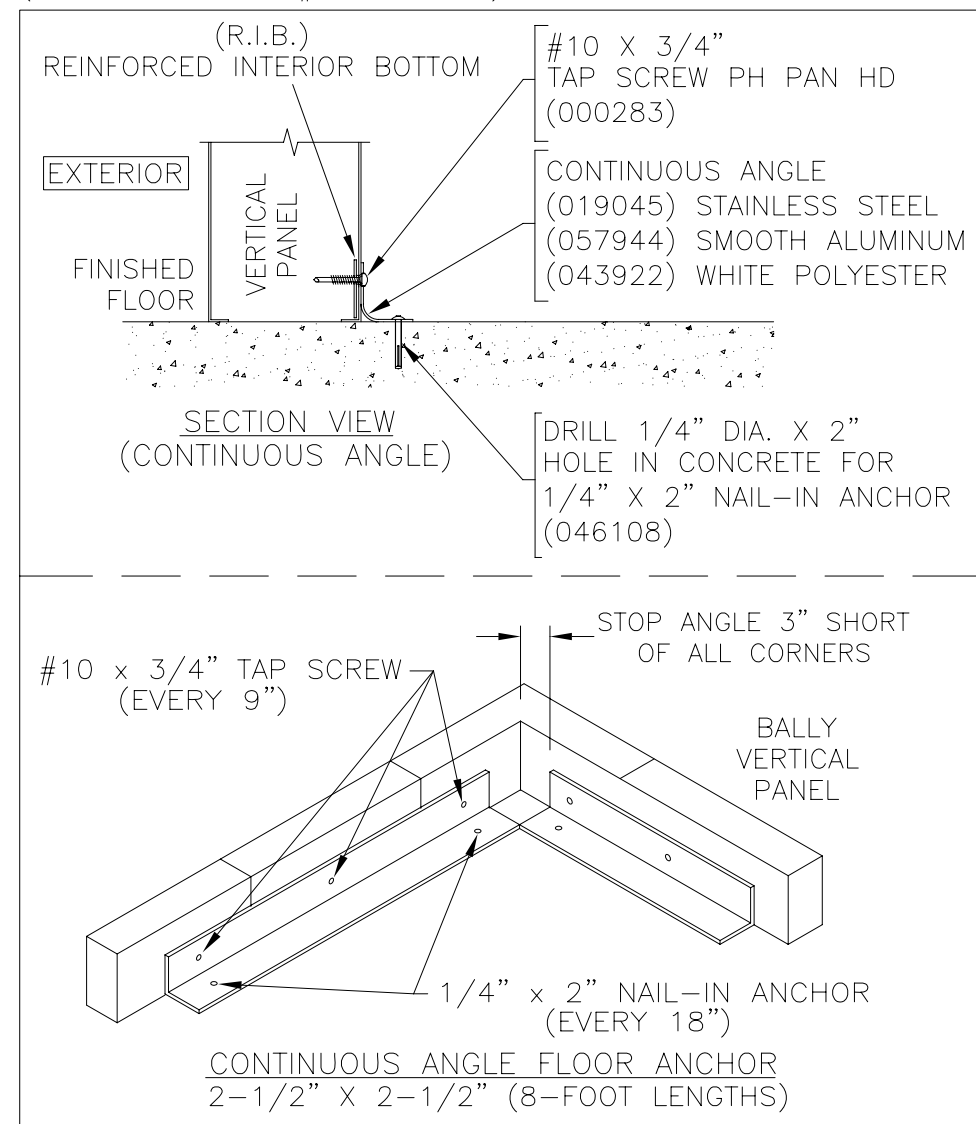
EVERY SHIPPED ORDER WILL HAVE A FINALIZED "AS-BUILT" DRAWING.



— PLAN VIEW C —

SCALE: 3/8" = 1' - 0"

BALLY TO FURNISH CONTINUOUS ANGLE VERTICAL PANEL ATTACHMENT. (SEE INSTRUCTION #IM-357-92.)



ELEVATION: E-1

SPECIFICATIONS

19'-3" X 7'-9" X 9'-6"
(L/FLOOR, EXTENDED HEIGHT)

INSTALLATION

- INDOOR
- LOADING HEIGHT - AT LEAST 24" OF OPEN SPACE MUST BE MAINTAINED BETWEEN TOP OF PRODUCT AND CEILING PANELS

INSULATION

- FOAMED IN-PLACE POURED URETHANE

EXTERIOR FINISH

- EMBOSSED GALVALUME

INTERIOR FINISH

- EMBOSSED GALVALUME

DOORS/ACCESSORIES

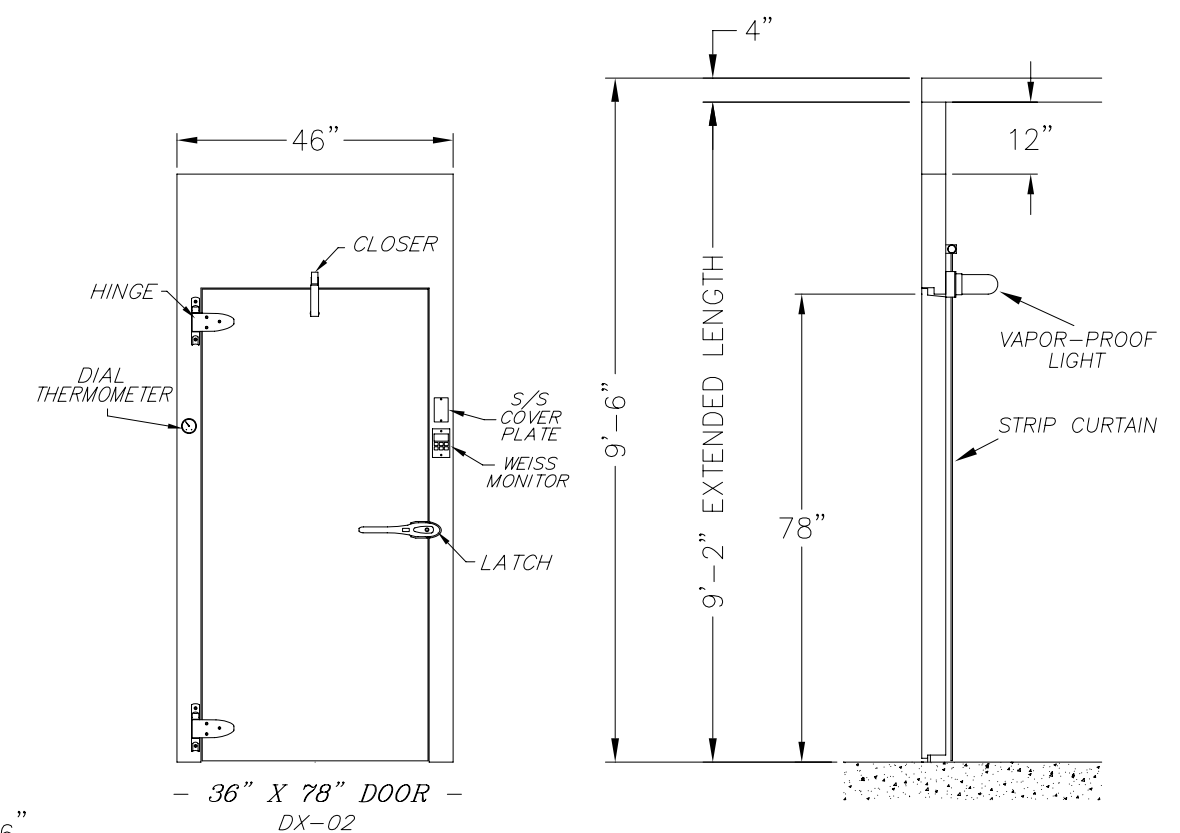
- (1) 36" X 78" LEFT SWING HINGED WALK-IN DOOR
- PRP
- STRIP CURTAIN
- WEISS XWA LIGHT MANAGER W/ MAGNETIC SWITCH

REFRIGERATION

- REFRIGERATION DESIGN, INSTALLATION/MOUNTING & SUPPORT ALL BY OTHERS.
- BLOWER COILS WHICH WEIGH MORE THAN 150 LBS. CANNOT BE SUSPENDED DIRECTLY FROM BALLY CEILING PANELS.

GENERAL NOTES

- NOTE: BALLY TO FURNISH 2 1/2" X 2 1/2" CONTINUOUS ANGLE FOR VERTICAL PANEL BASE ATTACHMENT.
- NOTE A: BALLY TO FURNISH (1) VINYL CAPPED, FOAM CUT OPENING, 18' 1-3/8" X 81-5/8" HIGH; WITH 8" FROM BOTTOM OF VERTICAL TO BOTTOM OF OPENING. GLASS DOORS BY OTHERS. INSTALLATION AND HARDWARE BY OTHERS.
- NOTE: BALLY TO FURNISH (5) PC 'A' CLIPS FOR SUSPENSION OF CEILING PANELS OVER OPENING. -◆ INDICATES LOCATIONS. BALLY RECOMMENDS SEALING THE TAB OF PC 'A' CLIPS WITH CAULK AFTER INSTALLATION.



— SECTION VIEW —
THRU ENTRANCE DOOR

SCALE: 3/8" = 1' - 0" SHEET 3 OF 3

RESTRICTED, CONFIDENTIAL DOCUMENT.

THIS DRAWING AND ALL INFORMATION SHOWN HEREON ARE THE EXCLUSIVE PROPERTY OF BALLY REFRIGERATED BOXES INC. ARE SUBMITTED ONLY ON A CONFIDENTIAL BASIS. THE RECIPIENT AGREES NOT TO REPRODUCE THE DRAWING, TO RETURN IT UPON REQUEST, AND THAT NO DISCLOSURE OF THE DRAWING OR THE INFORMATION SHOWN HEREON WILL BE MADE TO A THIRD PARTY WITHOUT PRIOR WRITTEN CONSENT FROM BALLY REFRIGERATED BOXES INC.

SIGNED APPROVAL

SIGNED _____

DATE _____

PLEASE READ

THIS DRAWING HAS BEEN CAREFULLY CHECKED BY OUR DRAFTING DEPARTMENT. HOWEVER, ERRORS OF INTERPRETATION CAN OCCUR. THEREFORE, BEFORE YOU RETURN DRAWING MARKED "APPROVED", BE CERTAIN THAT YOU CHECK THEM CAREFULLY.

NOTE - THIS ORDER WILL NOT BE SCHEDULED FOR PRODUCTION UNTIL RECEIPT OF APPROVED DRAWINGS BY BALLY.

IMPORTANT - PLEASE READ

THESE DRAWINGS ARE NOT TO BE CONSIDERED AS APPROVED BY LOCAL OR STATE BUILDING AUTHORITIES.

THEY HAVE BEEN PREPARED SOLELY FOR THE GUIDANCE OF REGISTERED ARCHITECTS AND ENGINEERS AND FOR THE ASSISTANCE OF LOCAL INSTALLERS. IT IS THE RESPONSIBILITY OF THE PROJECT ARCHITECT OR ENGINEER TO ASSURE THE BUILDING DESIGN MEETS LOCAL CODE REQUIREMENTS. THIS INCLUDES STRUCTURAL DESIGN AS WELL AS ANY WORK PERFORMED BY THE GENERAL CONTRACTOR, BALLY REFRIGERATED BOXES INC., IN PREPARING THESE DRAWINGS AND SPECIFICATIONS. DOES NOT ASSUME ANY RESPONSIBILITY FOR THE SUCCESSFUL COMPLETION OR USAGE OF THE STRUCTURE DESCRIBED.

THE DRAWINGS AND SPECIFICATIONS DESCRIBE A BUILDING ASSEMBLED FROM BALLY PANELS INSULATED WITH URETHANE "FOAMED-IN-PLACE". THE SIZE AND SHAPE IS THAT WHICH MOST CLEARLY MEETS DIMENSIONS SUBMITTED BY THE USER.

BALLY REFRIGERATED BOXES INC., PROVIDES PANELS FREQUENTLY SPECIFIED BY OTHERS, AND IS NOT RESPONSIBLE FOR THE SELECTION OR RECOMMENDATION BY OTHERS OF THE PANEL FINISH FOR ANY BUILDING OR WALK-IN APPLICATION.



BALLY (NC OFFICE)
135 LITTLE NINE DRIVE
MOREHEAD CITY, NC 28557
PHONE: (252) 240-2829
FAX: (252) 240-0384

BALLY (PA OFFICE)
20 NORTH FRONT ST. (SUITE 8)
BALLY, PA 19503
PHONE: (610) 702-2210
FAX: (610) 702-2211

FOR PORTLAND FOOD CO-OP

DRAWING NUMBER 5032814CCC

DRAWN BY RCB

DATE LBL'D

CHK'D BY

DATE 04/21/14

ORDER NUMBER

5032814

REV DESCRIPTION

BY DATE