

METAL DISASSEMBLY KEY NOTES

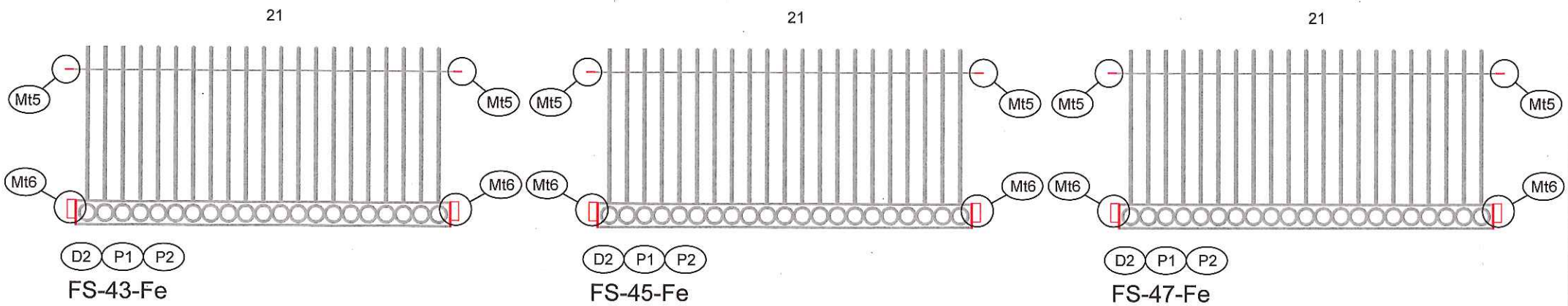
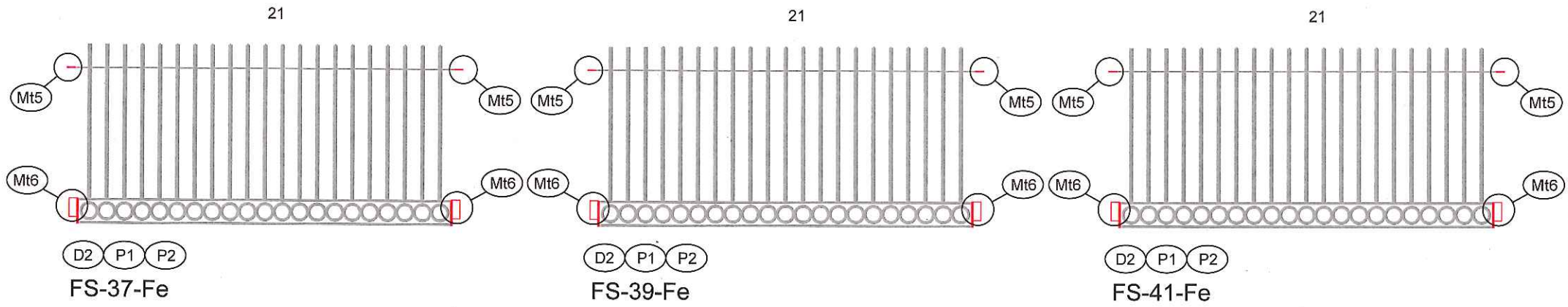
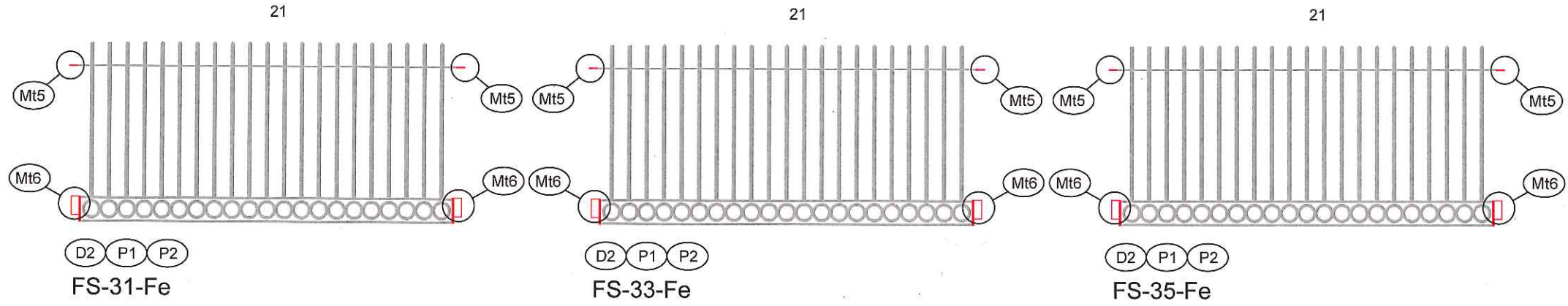
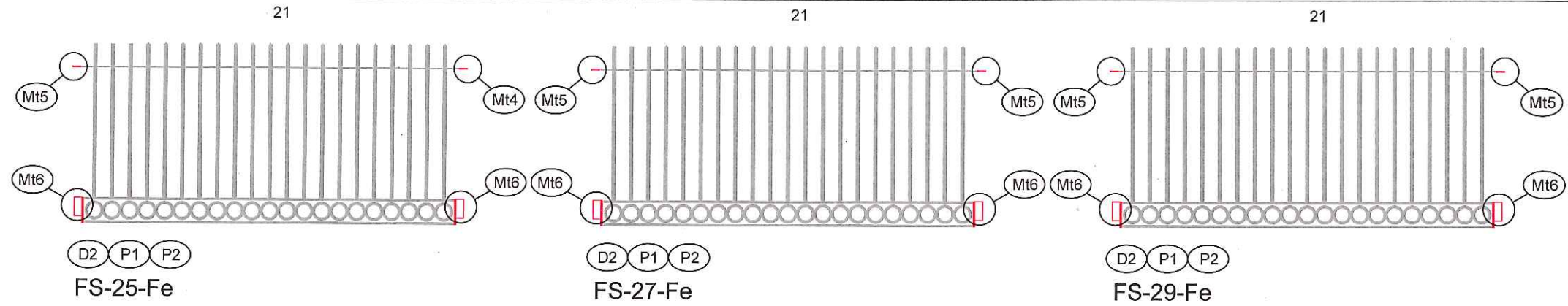
- (D1) REMOVE CAST IRON FENCE SECTION FROM FENCE POSTS AND PIERS. SALVAGE UNIT FOR RESTORATION.
- (D2) DISASSEMBLE CAST IRON FENCE POST AND SALVAGE PICKETS FOR RESTORATION. SALVAGE CAST IRON COLLARS FOR USE AS RAW MATERIAL FOR NEW CASTINGS.
- (D3) CUT DOWN EXPOSED PORTION OF GRANITE POSTS TO BE LEVEL WITH SIDEWALK. PREP FOR NEW REPLICA GRANITE CAP STONE. SALVAGE GRANITE FOR USE AS DUTCHMAN. **SEE DETAILS 2 AND 4 ON SHEET S-2.3.**

PAINTING AND PREP KEY NOTES

- (P1) UPON REMOVAL OF IRON FENCE SECTIONS - SEND COMPONENTS TO SHOP TO BE LOW-PRESSURE GRIT BLASTED. AFTER REMOVAL OF PAINT AND RUST SEND TO IRON WORKER SHOP TO BE FULLY RESTORED. AFTER RESTORATION SEND BACK TO SAND BLASTING SHOP TO GRIT BLAST ALL NEW COMPONENTS INCLUDING LOOSE CLIP ANGLES TO DISTRESS TO MATCH. AFTER SECOND SAND BLASTING, SOLVENT CLEAN, PROTECT, PACKAGE AND SHIP TO COATING SYSTEM SHOP.
- (P2) APPLY COATING SYSTEM COMPANY'S GALVANIZING PRIMER AND FINISH COATING SYSTEM TO IRON FENCE SECTIONS, FENCE POST ASSEMBLIES, GATES AND LOOSE CLIP ANGLES. STAINLESS STEEL FASTENERS TO BE FIELD ETCHED AND HAND PAINTED USING COATING SYSTEM COMPANY'S TOUCH-UP KIT.

METAL RESTORATION KEY NOTES

- (Mt1) CAST NEW REPLICA COLLARS AND BASE PLATES AT EACH FENCE POST ASSEMBLY. REUSE AS MANY SALVAGED TALL PICKETS AS POSSIBLE AND FABRICATE NEW FROM MILD STEEL AS NECESSARY. **SEE DETAILS 3/S-2.3, 3/S-2.4 AND 1/S-2.5.**
- (Mt2) CAST NEW SECTION OF REPLICA ORNAMENTAL BOTTOM RAIL. PREP, IRON EPOXY AND FASTEN AS PER DETAILS. **SEE DETAILS 3, 4 AND 5/S-2.5.**
- (Mt3) FABRICATE NEW SECTION OF MILD STEEL PICKET WHERE DAMAGED OR MISSING. WELD TO SOUND WROUGHT IRON TO REMAIN. **SEE DETAIL 13/S-2.2.**
- (Mt4) ATTACH NEW MILD STEEL ANCHORS TO GRANITE ENTRY PIER AND REINSTALL RESTORED CAST IRON FENCE SECTION. **SEE DETAILS 1 AND 2 ON SHEET S-2.4.**
- (Mt5) CUT END OF EXISTING WROUGHT IRON RAIL AND WELD ON NEW MILD STEEL REPLACEMENT. REINSTALL PER DETAIL. **SEE DETAIL 4/S-2.4.**
- (Mt6) EPOXY ATTACH AND FASTEN NEW VERTICAL END-RAIL AND TAB ANCHOR. **SEE DETAILS 1 AND 2 SHEET S-2.3.**
- (Mt7) REMOVE IRON HINGE PIN REMNANT AND CAST NEW ORNAMENTAL IRON HINGE REPLACEMENT.
- (Mt8) CAST NEW SECTION OF MISSING ORNAMENTAL TOP RAIL OF GATE. WELD NEW SECTION IN PLACE AS PER DETAIL 1-S-2.6
- (Mt9) BRAZE REPAIR



NOT FOR CONSTRUCTION

RESURGENCE
ENGINEERING & PRESERVATION, INC.
132 BRENTWOOD STREET
PORTLAND, ME 04103
207.773.4860

LINCOLN PARK IRON FENCE RESTORATION
ADD ALTERNATE 2 - FEDERAL STREET FENCE SECTIONS

Project # 17-019
Date: 1/29/18
Issued for:
HP REVIEW

REVISIONS	
NO.	DATE
▲	MM-DD-YY
▲	MM-DD-YY

SHEET
S-1.6