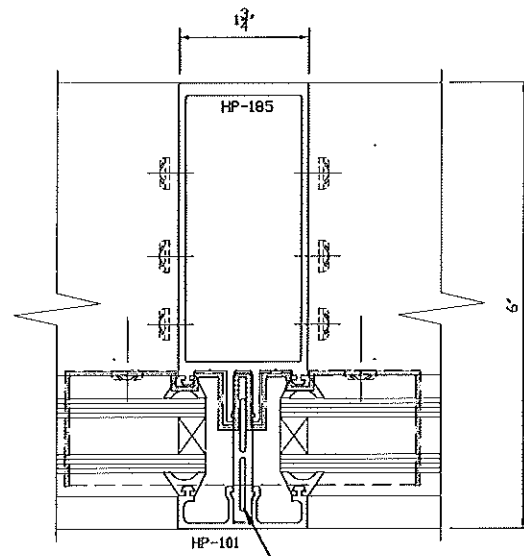
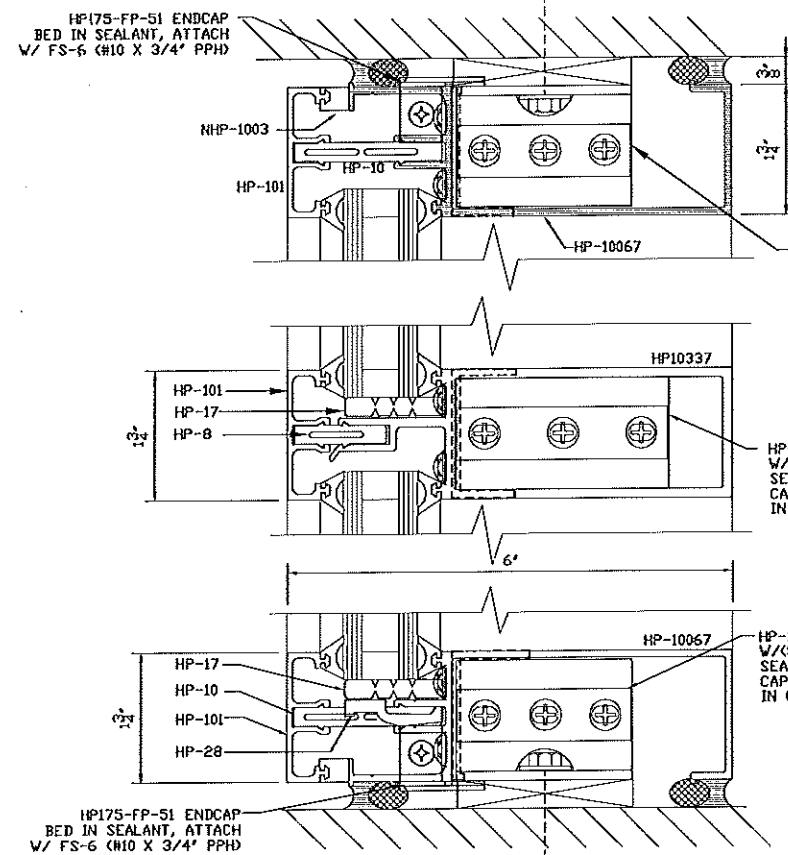


1 JAMB DETAIL
FULL SCALE



2 VERT. DETAIL
FULL SCALE



3 HEAD DETAIL
FULL SCALE

4 HORIZ. DETAIL
FULL SCALE

5 SILL DETAIL
FULL SCALE

ABBREVIATIONS:

M.O. - MASONRY OPENING	F.S. - FRAME SIZE
F.O. - FINISHED OPENING	W.S. - WINDOW SIZE
D.O. - DOOR OPENING	REQ'D - REQUIRED
S.O. - STEEL OPENING	CLR. - CLEAR
A.F.F. - ABOVE FINISHED FLOOR	B.O.S. - BOTTOM OF STEEL
DIM. - DIMENSION	T.O.S. - TOP OF STEEL
Q - CENTER LINE	NTS - NOT TO SCALE

SYMBOLS:

	ELEVATION NUMBER
	DETAIL NUMBER
	SHEET NUMBER

REVISIONS:

NO.	DATE	DESCRIPTION	NO.	DATE	DESCRIPTION

JOB NAME:	J.B. BROWN	DATE:	8/6/11
ARCHITECT:		SCALE:	AS NOTED
CONTRACTOR:		DRAWN BY:	E. BOREK

SHEET NUMBER	1 of 1
--------------	--------

PG PORTLAND GLASS
832 CONGRESS STREET
PORTLAND, MAINE 04102
PHONE: 207-774-9851
FAX: 207-774-9855

PG Portland Glass

LAST REVISED: 6/6/11

RECEIVED
SEP 22 2011
J.B. BROWN
Dept. of Building Inspections
City of Portland Maine