

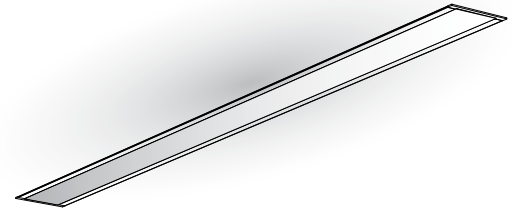
Client \_\_\_\_\_ Project name \_\_\_\_\_

Order# \_\_\_\_\_ Type \_\_\_\_\_ Qty \_\_\_\_\_

## FEATURES AND BENEFITS

### Physical :

- Aluminum extrusion housing, 2" wide
- Available in 1', 2', 3', 4', 5', 6', 7' or 8' sections
- Continuous runs available in 1' increments
- Durable polyester powder coat finish for trim
- Flange, flangeless and spackle flange trim options available
- Easy installation
- Extruded acrylic lens
- Illuminated corners available for custom configurations, consult factory for availability and orders
- Tool-less system for reflector assembly and control gear access
- Suitable for use with drywall ceiling and metal pan ceilings (millwork ceilings)
- Compatible with motion sensors
- CCEA option available
- Dry location only



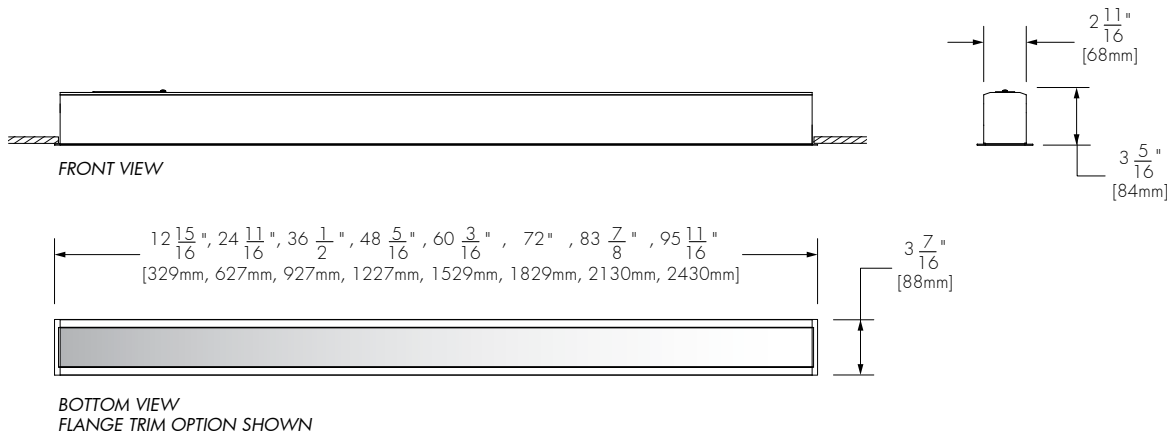
### Performance :

- Available in 2700K, 3000K, 3500K, 4000K or RGB color mixing
- 87 lumens per watt (delivered, RO 4000K)
- CRI value: 80+
- Binning within a 3 step MacAdam ellipse
- Lumen maintenance: 100,000 hrs [L70 @ 25° C]
- Lumen measurements comply with LM - 79 - 08 standard
- Resolution per foot or per fixture (configured with LumenID V3 software & RDM)
- Operating temperatures: -25° C to 50° C [-13F to 122F]

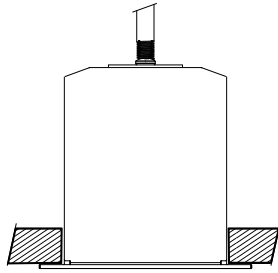
Lumens / 4ft	RO	HO
<b>2700K</b>	1831	3466
<b>3000K</b>	1871	3541
<b>3500K</b>	1910	3615
<b>4000K</b>	1969	3727
<b>RGB</b>	407	N/A

### Electrical :

- Line voltage luminaire for 100 to 277V
- 6W/ft Regular Output version
- 12W/ft High Output version
- Dimming options for white light: 0-10 volt, DMX/RDM enabled, DALI, Lumentalk or Lutron® EcoSystem® enabled
- 6W/ft optional RGB source, DMX/RDM enabled
- Quick connectors for continuous runs

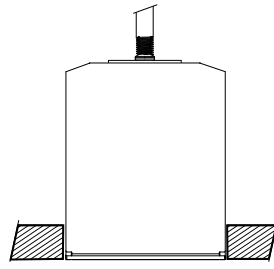


## TRIM OPTION



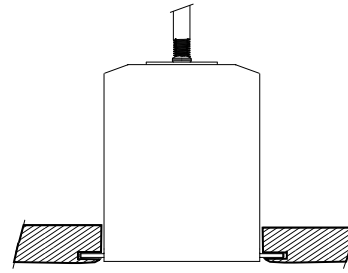
**FG**

Flange trim option



**FGL**

Flangeless trim option

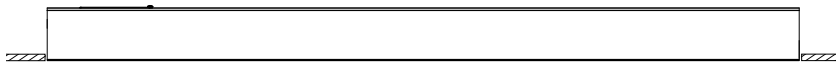


**SFG**

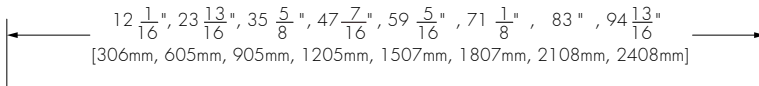
Spackle Flange trim option

## TRIM OPTION DIMENSIONS

Flangeless and Spackle flange trim options



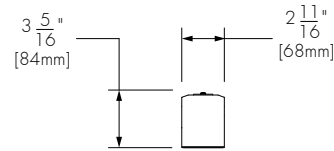
FRONT VIEW



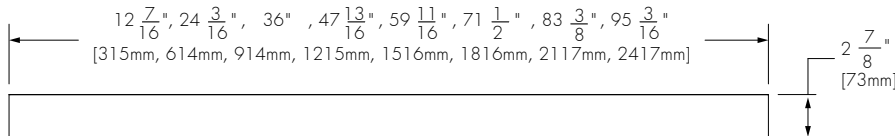
BOTTOM VIEW

FLANGELESS TRIM OPTION SHOWN

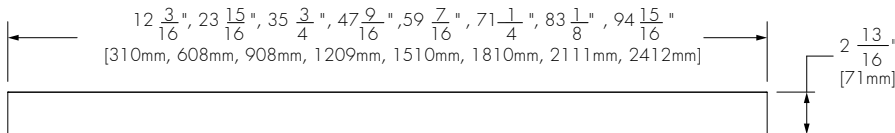
(USE SAME DIMENSIONS FOR SPACKLE FLANGE HOUSING)



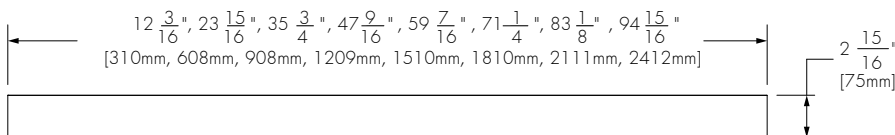
## CEILING OR WALL CUTOUT DIMENSIONS



FLANGE CEILING OR WALL CUTOUT DIMENSIONS

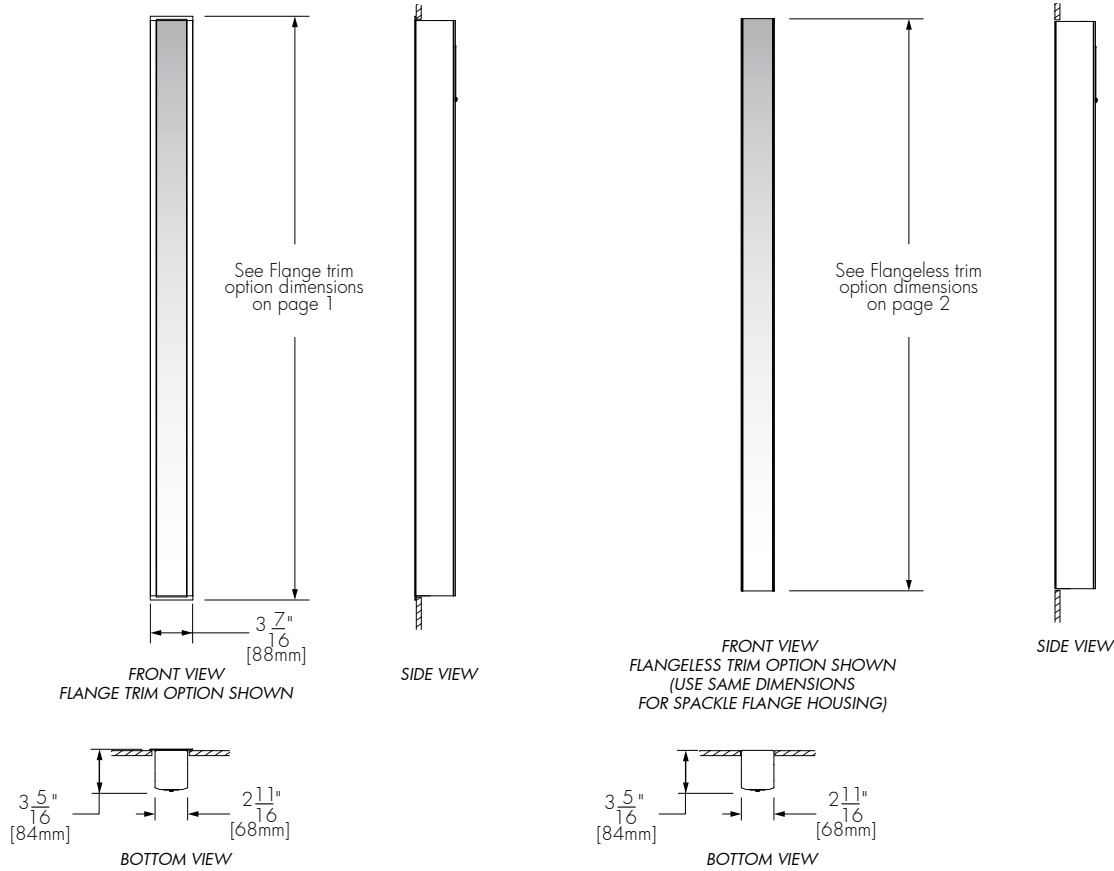


FLANGELESS CEILING OR WALL CUTOUT DIMENSIONS



SPACKLE FLANGE CEILING OR WALL CUTOUT DIMENSIONS

## VERTICAL RECESSED MOUNTING OPTION

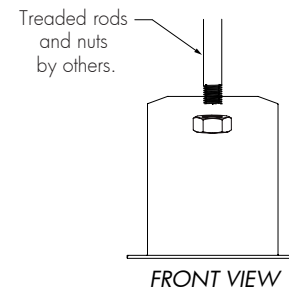
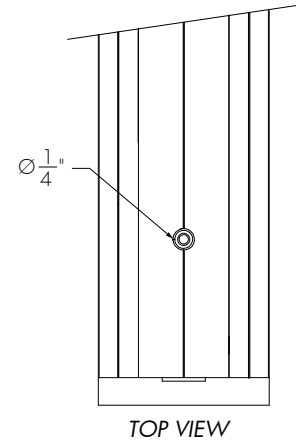
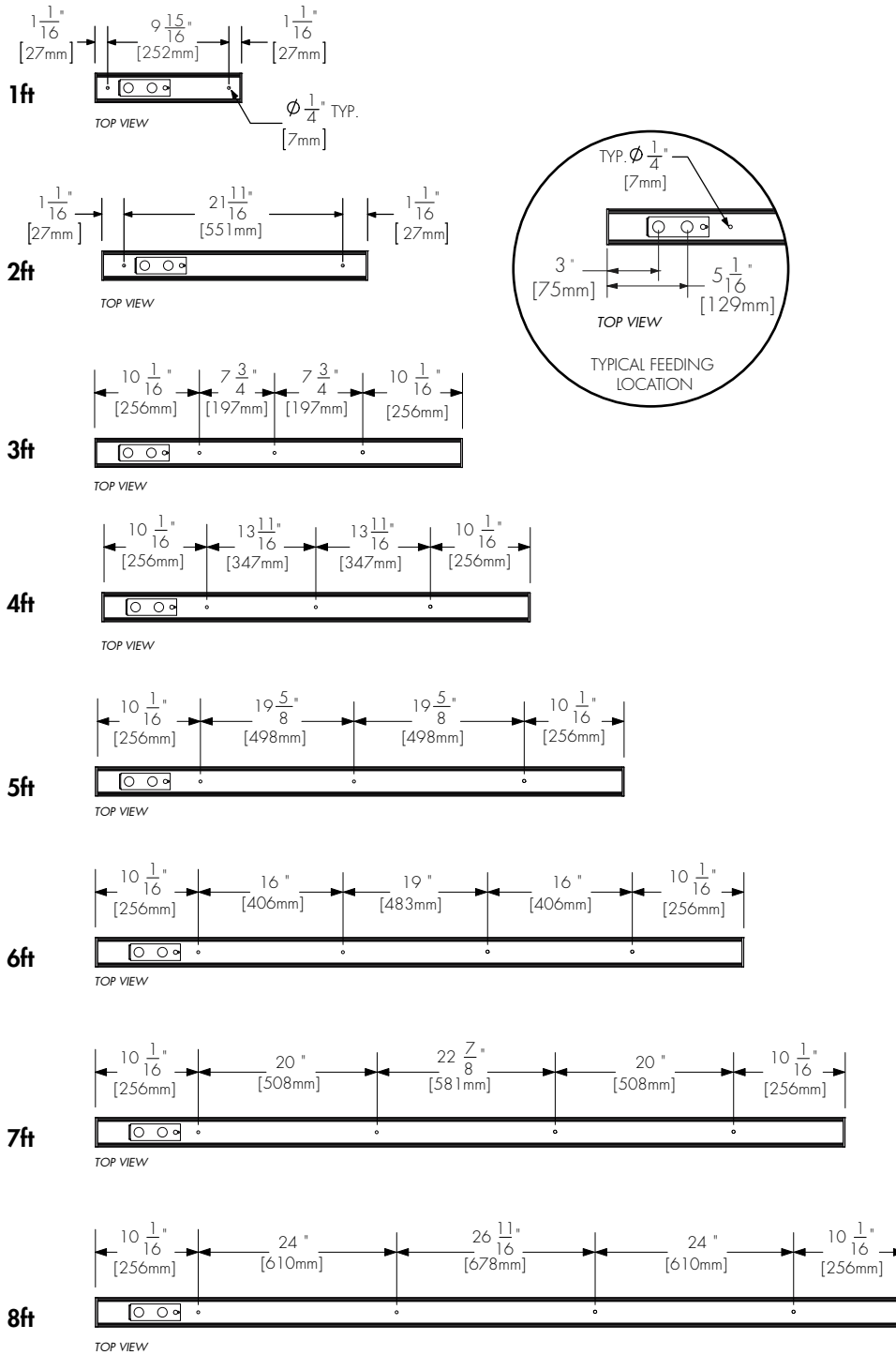


## THREADED ROD MOUNTING HOLE PATTERN

Flangeless trim option shown

## THREADED ROD MOUNTING DETAIL

Flangeless, spackle flange and flangeless trim options

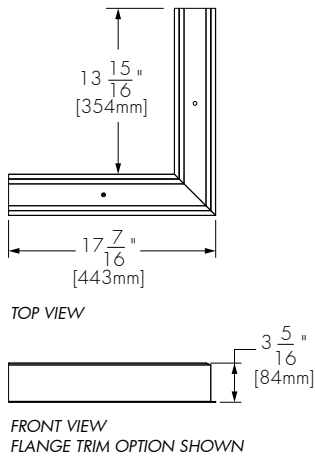


## LIT JOINER TYPES AND DIMENSIONS

Refer to the SHAPE ordering page

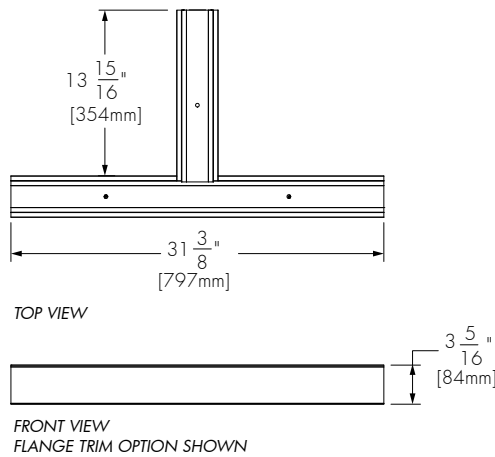
### HCNR

Horizontal 90°  
Used to build square,  
rectangle and "L" shapes  
(Equivalent of a 4' fixture)



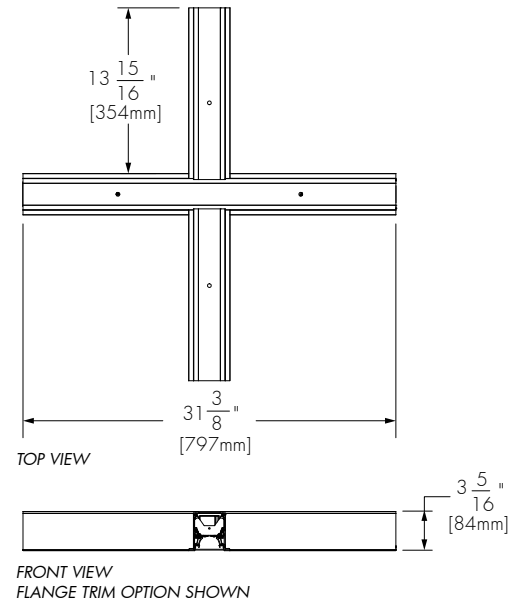
### TCNR

Tee 90°  
(Equivalent of a 6' fixture)



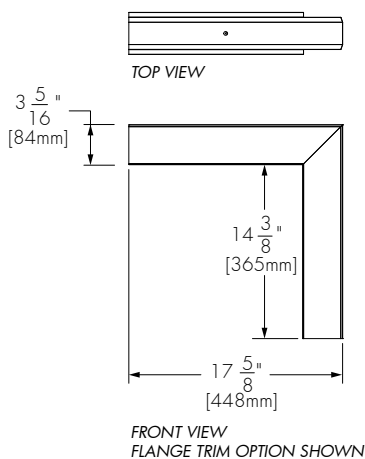
### CCNR

Cross 90°  
(Equivalent of an 8' fixture)



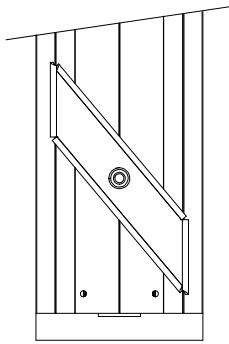
### ICNR

Inside 90°  
For Ceiling to Wall  
Configurations  
(Equivalent of a 4' fixture)

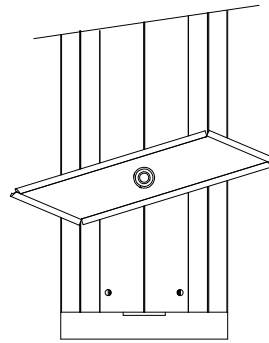


## ROTATING CROSSBAR MOUNTING OPTION

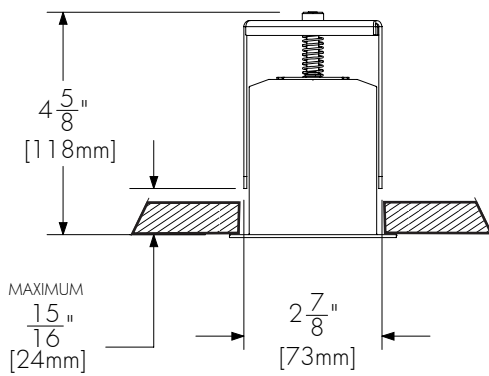
Available with Flange trim option only



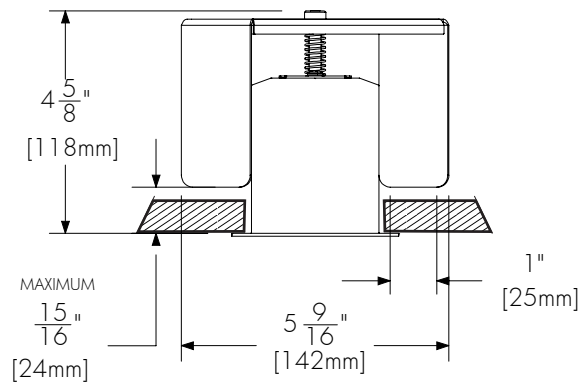
TOP VIEW  
ROTATING CROSSBAR CLOSED



TOP VIEW  
ROTATING CROSSBAR OPENED



SIDE VIEW  
ROTATING CROSSBAR CLOSED



SIDE VIEW  
ROTATING CROSSBAR OPENED

## ACCESSORIES

Order separately

### Control Systems:

- LTO2** Lumentouch is a wall mount DMX 512 controller keypad.
- LCU** Lumencue is a USB / mini SD DMX 512 controller.
- LID** LumenID is a diagnostic and addressing DMX 512 controller. It must be specified on all DMX applications. Refer to LID specification sheet for details.
- LTN** Lumentone is a simple pre-programmed DMX 512 controller with a push button rotary dial and live feedback.

### Control Boxes:

- CBX** DMX/RDM control box. Up to six power and data outputs to fixtures or fixture runs. Ethernet enabled option. Refer to CBX specification sheet for details.

## RESOLUTION DETAILS

Applicable for DMX/RDM control option only.

Fixture resolution can be configured on-site within the LumenID V3 software.

A DMX/RDM enabled CBX is required.

Resolution per foot: each foot is addressed independently

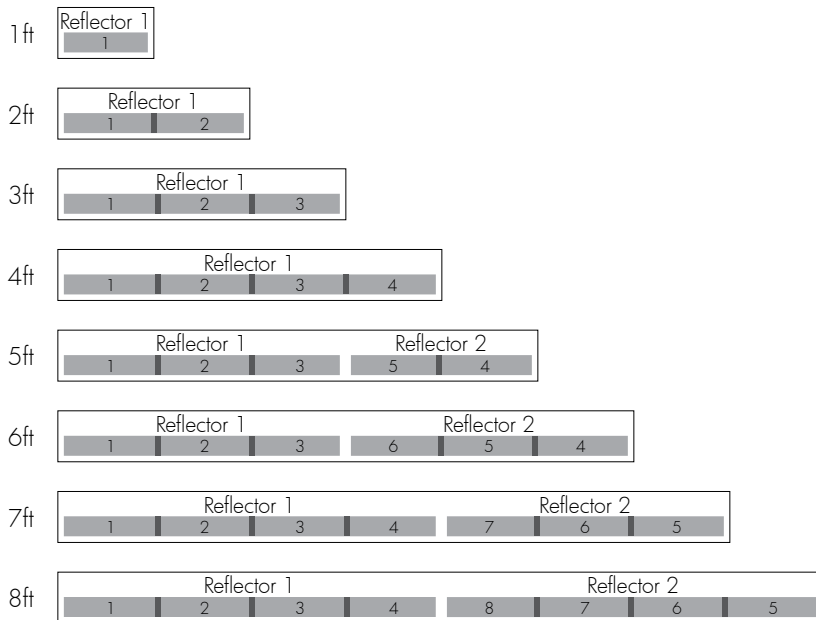
Total number of DMX addresses required per fixture	Single units								Lit joiners				
		1ft	2ft	3ft	4ft	5ft	6ft	7ft	8ft	HCNR	TCNR	CCNR	ICNR
WH		1	2	3	4	5	6	7	8	4	6	8	4
RGB		3	6	9	12	15	18	21	24	12	18	24	12

Resolution per fixture: each reflector is addressed independently

Total number of DMX addresses required per fixture	Single units		Lit joiners				
		1ft to 4ft	5ft to 8ft	HCNR	TCNR	CCNR	ICNR
WH		1	2	1	2	2	1
RGB		3	6	3	3	3	3

Board and reflector layout per fixture length

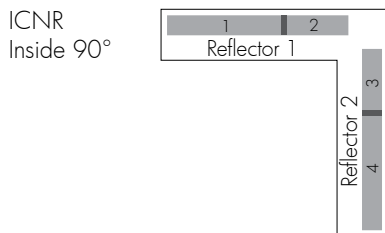
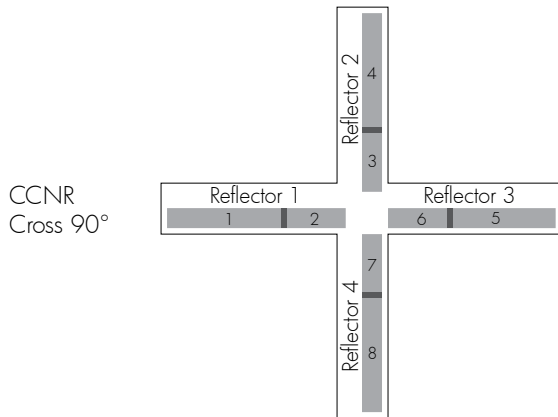
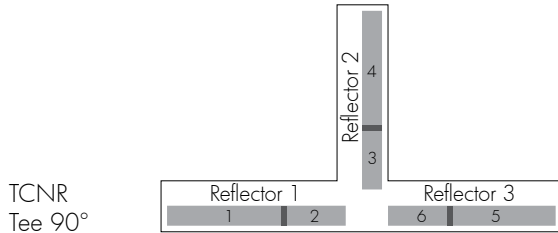
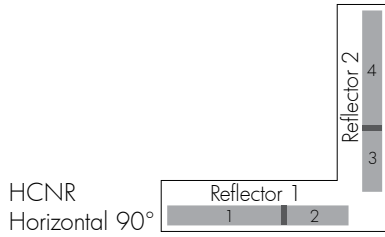
### SINGLE UNITS





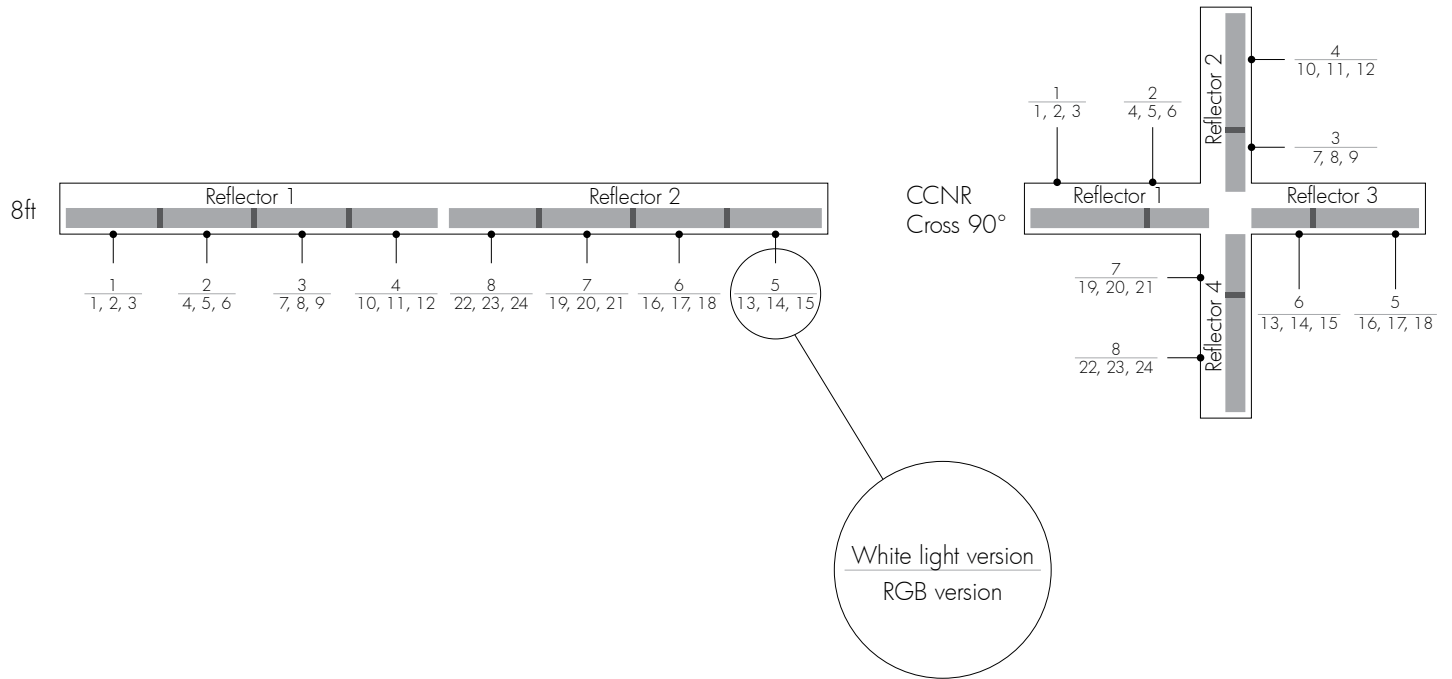
## RESOLUTION DETAILS - continued

### LIT JOINERS IN SHAPES

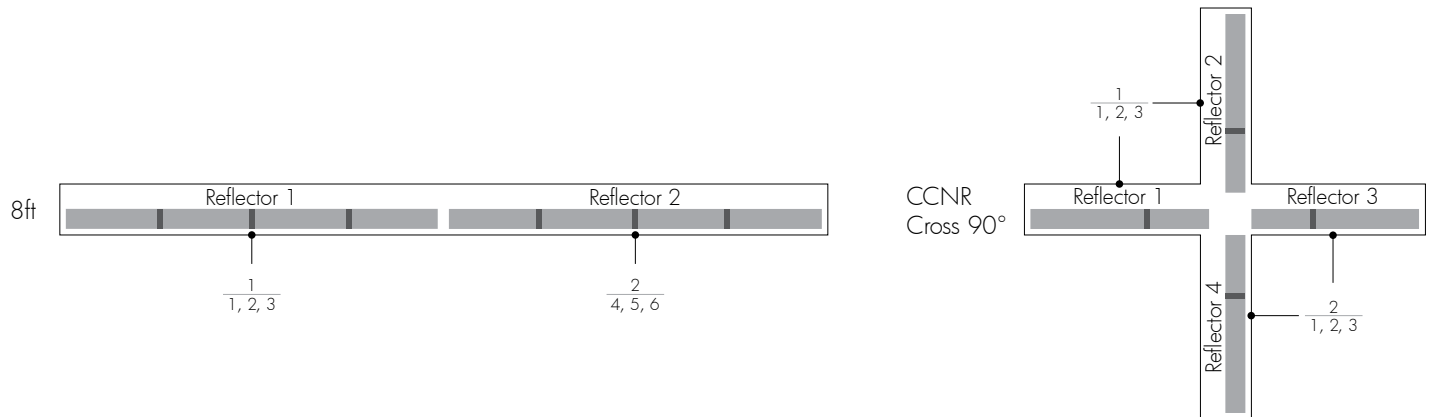


## RESOLUTION DETAILS - continued

Example: DMX addresses, resolution per foot, 8ft fixture and CCNR lit joiner



Example: DMX addresses, resolution per fixture, 8ft fixture and CCNR lit joiner

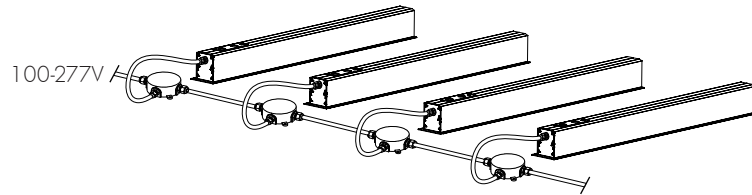


RECESSED  
SINGLE UNITS  
CONTINUOUS RUNS  
SHAPES

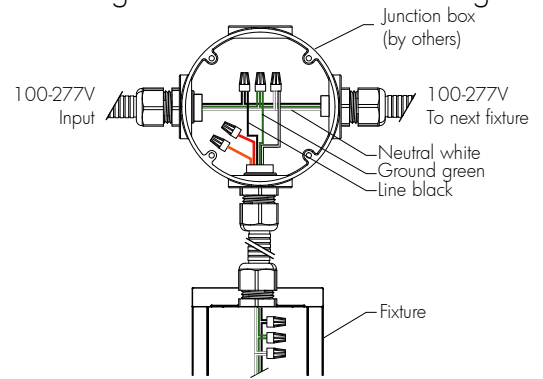
## TYPICAL WIRING DIAGRAMS

### Non-dimming or Lumentalk control options

Single units, daisy chain configuration  
Flange option shown

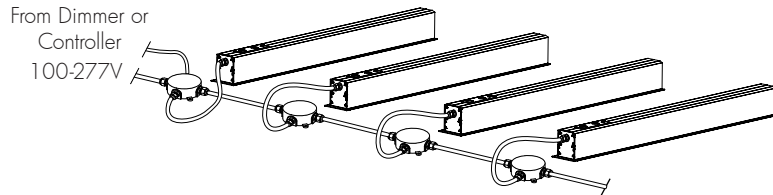


### Non-dimming or Lumentalk control wiring detail

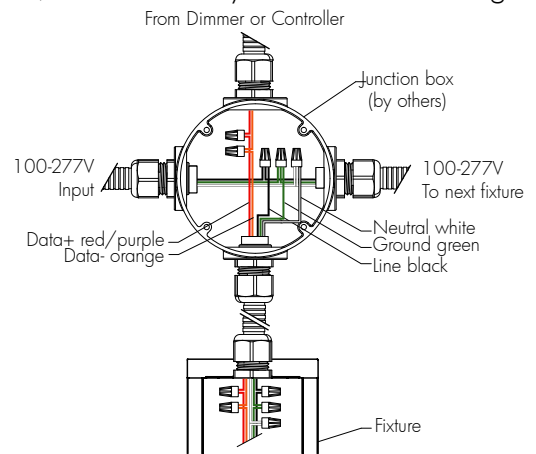


### 0-10V, DALI or EcoSystem® control options

Single units, daisy chain configuration  
Flange option shown



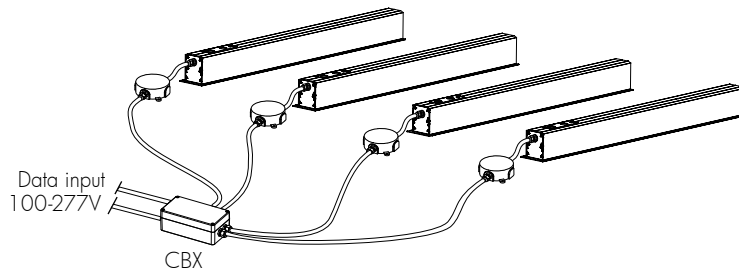
### 0/10V, DALI or EcoSystem® control wiring detail



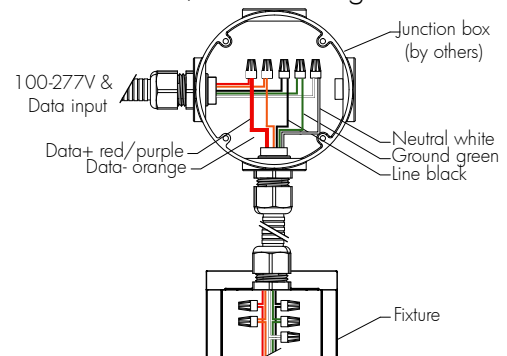
Each Lutron® EcoSystem® enabled fixture has its own address; for the example shown above, there are a total of 4 EcoSystem® addresses.

### DMX/RDM control option

Single units, star layout chain configuration  
Flange option shown



### DMX/RDM wiring detail



For stable DMX/RDM data signal, do not split data wires after CBX.

Maximum run lengths 7A maximum with 10ft fixture cord						
Configuration/Voltage	100V	120V	208V	220V	240V	277V
RO: Regular Output	93ft	116ft	126ft	126ft	126ft	126ft
HO: High Output	46ft	56ft	98ft	104ft	116ft	126ft

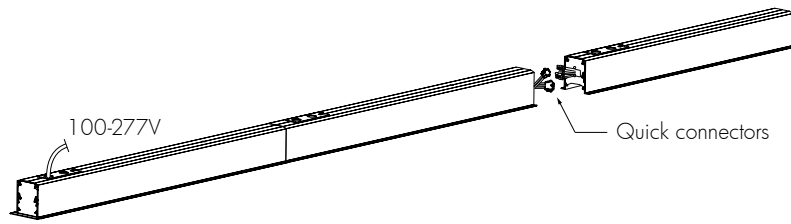
\*Maximum run length calculations are typically based on 4ft fixtures.  
Consult factory for specific applications.

### Wiring detail

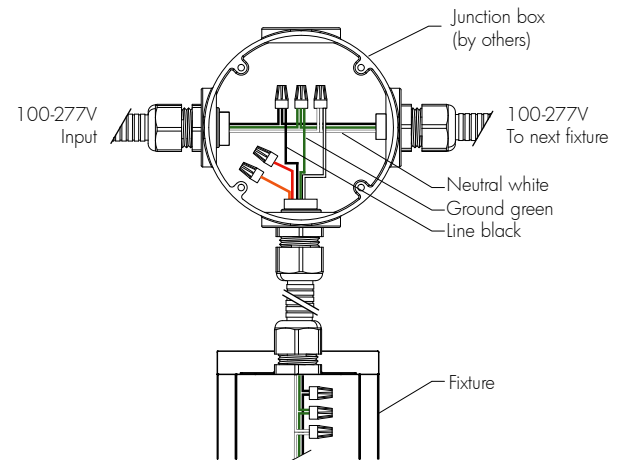
WIRE COLOR / USE	
GREEN	GROUND
WHITE	NEUTRAL
BLACK	LINE 100-277V
RED/ PURPLE	DATA +
ORANGE	DATA -

## TYPICAL WIRING DIAGRAMS - continued

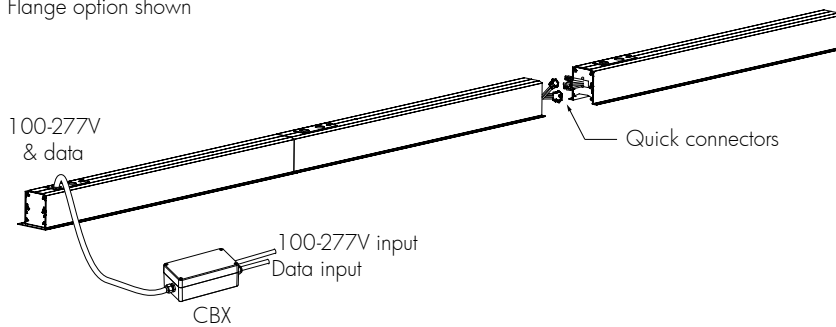
Non-dimming or Lumentalk control options  
Continuous run, single feed  
Flange option shown



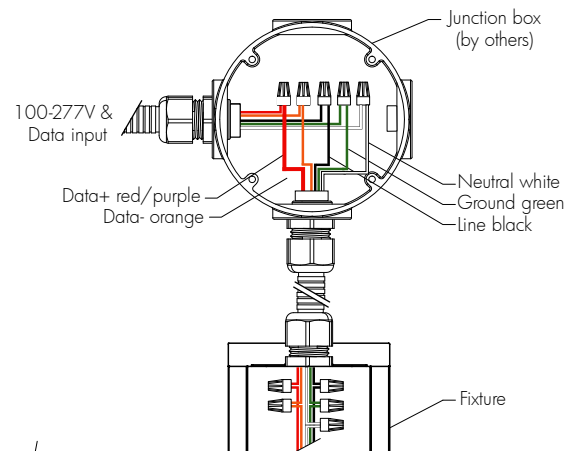
Non-dimming or Lumentalk control wiring detail



DMX/RDM control option  
Continuous run, single feed  
Flange option shown

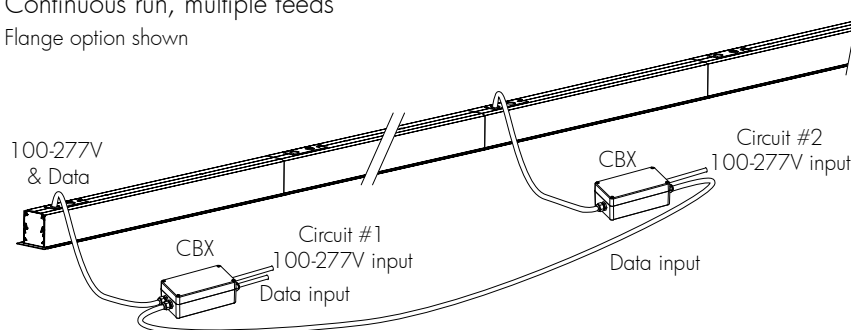


DMX/RDM wiring detail



For stable DMX/RDM data signal, do not split data wires after CBX.

DMX/RDM control option  
Continuous run, multiple feeds  
Flange option shown



For stable DMX/RDM data signal, do not split data wires after CBX.

## HOW TO ORDER - SINGLE UNITS AND CONTINUOUS RUNS

<b>LLI2R</b>	<b>Select:</b>	<b>Select:</b>	<b>Select:</b>	<b>Select:</b>	<b>Select:</b>	<b>Select:</b>	<b>Select:</b>
1	2	3	4	5	6	7	8

### 1 Housing:

**LLI2R** - Lumenline™ Recessed, 2" wide

### 2 Voltage:

<b>100</b> - 100 volts	<b>220</b> - 220 volts
<b>120</b> - 120 volts	<b>240</b> - 240 volts
<b>208</b> - 208 volts	<b>277</b> - 277 volts

### 3 Length:

**Dimension shown are for flangeless**  
**SU1** - Single Unit 12 1/16" (306mm)  
**SU2** - Single Unit 23 13/16" (605mm)  
**SU3** - Single Unit 35 5/8" (905mm)  
**SU4** - Single Unit 47 7/16" (1205mm)  
**SU5** - Single Unit 59 5/16" (1507mm)  
**SU6** - Single Unit 71 1/8" (1807mm)  
**SU7** - Single Unit 83" (2108mm)  
**SU8** - Single Unit 94 13/16" (2408mm)  
**C\_\_** - Continuous run, specify in 1' increments

### 4 Output & Color temperature:

**dRO 27K** - 2700K regular output 6W/ft  
**dRO 30K** - 3000K regular output 6W/ft  
**dRO 35K** - 3500K regular output 6W/ft  
**dRO 40K** - 4000K regular output 6W/ft  
**dHO 27K** - 2700K high output 12W/ft  
**dHO 30K** - 3000K high output 12W/ft  
**dHO 35K** - 3500K high output 12W/ft  
**dHO 40K** - 4000K high output 12W/ft  
**dRO RGB** - Tri-color red, green and blue direct lighting 6W/ft<sup>1</sup>

### 5 Control:

**NO** - On/Off control  
**LT** - Lumentalk<sup>2</sup>  
**DIM** - 0-10V Dimming option<sup>3</sup>  
**DMX/RDM** - DMX/RDM enabled<sup>4</sup>  
**DALI** - DALI Dimming option<sup>5</sup>  
**ES** - Lutron® EcoSystem® Enabled Dimming<sup>6</sup>

### 6 Trim Option:

**FG** - Flange  
**FGL** - Flangeless  
**SFG** - Spackle Flange

### 7 Trim Finish:

**WH** - White  
**SI** - Silver  
**CC** - Custom (please specify RAL color)

### 8 Option:

**CCEA** - Chicago plenum rated option  
**RCB** - Rotating Crossbar mounting, available for flange trim option only<sup>7</sup>  
**VS** - Vertical recessed mounting

### Notes:

- 1 RGB option requires DMX/RDM control to be specified in Control section.
- 2 Available with white light only, not available for 1' lengths. 1% minimum dimming value.
- 3 10% minimum dimming value.
- 4 1% minimum dimming value. Fixtures come pre-addressed by fixture (consult the Resolution Details pages for the number of DMX addresses per fixture length and type).
- 5 1% minimum dimming value.
- 6 Available with white light only, not available for 1' lengths. One EcoSystem® address per fixture length. 1% minimum dimming value.
- 7 1 rotating crossbar included for 1' lengths,  
2 rotating crossbars included for 2' to 5' lengths,  
3 rotating crossbars included for 6' to 8' lengths.

## HOW TO ORDER - SHAPES

<b>LLI2R</b>	<b>Select:</b>	<b>Select:</b>	<b>LJ</b>	<b>Select:</b>	<b>Select:</b>	<b>Select:</b>	<b>Select:</b>	<b>Select:</b>
1	2	3	4	5	6	7	8	9

### 1 | Housing:

**LLI2R** - Lumenline™ Recessed, 2" wide

### 2 | Voltage:

**100** - 100 volts      **220** - 220 volts  
**120** - 120 volts      **240** - 240 volts  
**208** - 208 volts      **277** - 277 volts

### 3 | Length:

**IMPORTANT: Side length up to 20' as a standard. Consult factory for any other shape requirements.**

**S\_\_** - Square shape: specify side length (equal sides)  
**R\_x\_\_** - Rectangular shape: specify longer side x shorter side  
**L\_\_** - "L" shape: specify side length (equal sides)  
**T\_\_** - "T" shape: specify side length (equal sides)  
**X\_\_** - Cross shape: specify side length (equal sides)  
**CW\_\_** - Ceiling to wall: specify side length (equal sides)

### 4 | Joiner Type:

**LJ** - Lit joiner, 17 inches nominal side length module

### 5 | Output & Color temperature:

**dRO 27K** - 2700K regular output 6W/ft  
**dRO 30K** - 3000K regular output 6W/ft  
**dRO 35K** - 3500K regular output 6W/ft  
**dRO 40K** - 4000K regular output 6W/ft  
**dHO 27K** - 2700K high output 12W/ft  
**dHO 30K** - 3000K high output 12W/ft  
**dHO 35K** - 3500K high output 12W/ft  
**dHO 40K** - 4000K high output 12W/ft  
**dRO RGB** - Tri-color red, green and blue direct lighting 6W/ft<sup>1</sup>

### 6 | Control:

**NO** - On/Off control  
**LT** - Lumentalk<sup>2</sup>  
**DIM** - 0-10V Dimming option<sup>3</sup>  
**DMX/RDM** - DMX/RDM enabled<sup>4</sup>  
**DALI** - DALI Dimming option<sup>5</sup>  
**ES** - Lutron® EcoSystem® Enabled Dimming<sup>6</sup>

### 7 | Trim Option:

**FG** - Flange  
**FGL** - Flangeless  
**SFG** - Spackle Flange

### 8 | Trim Finish:

**WH** - White  
**SI** - Silver  
**CC** - Custom (please specify RAL color)

### 9 | Option:

**CCEA** - Chicago plenum rated option  
**RCB** - Rotating Crossbar mounting, available for flange trim option only<sup>7</sup>

### Notes:

- RGB option requires DMX/RDM control to be specified in Control section.
- Available with white light only, not available for 1' lengths. 1% minimum dimming value.
- 10% minimum dimming value.
- 1% minimum dimming value. Fixtures come pre-addressed by fixture (consult the Resolution Details pages for the number of DMX addresses per fixture length and type).
- 1% minimum dimming value.
- Available with white light only, not available for 1' lengths. One EcoSystem® address per fixture length. 1% minimum dimming value.
- 1 rotating crossbar included for 1' lengths,  
2 rotating crossbars included for 2' to 5' lengths,  
3 rotating crossbars included for 6' to 8' lengths.