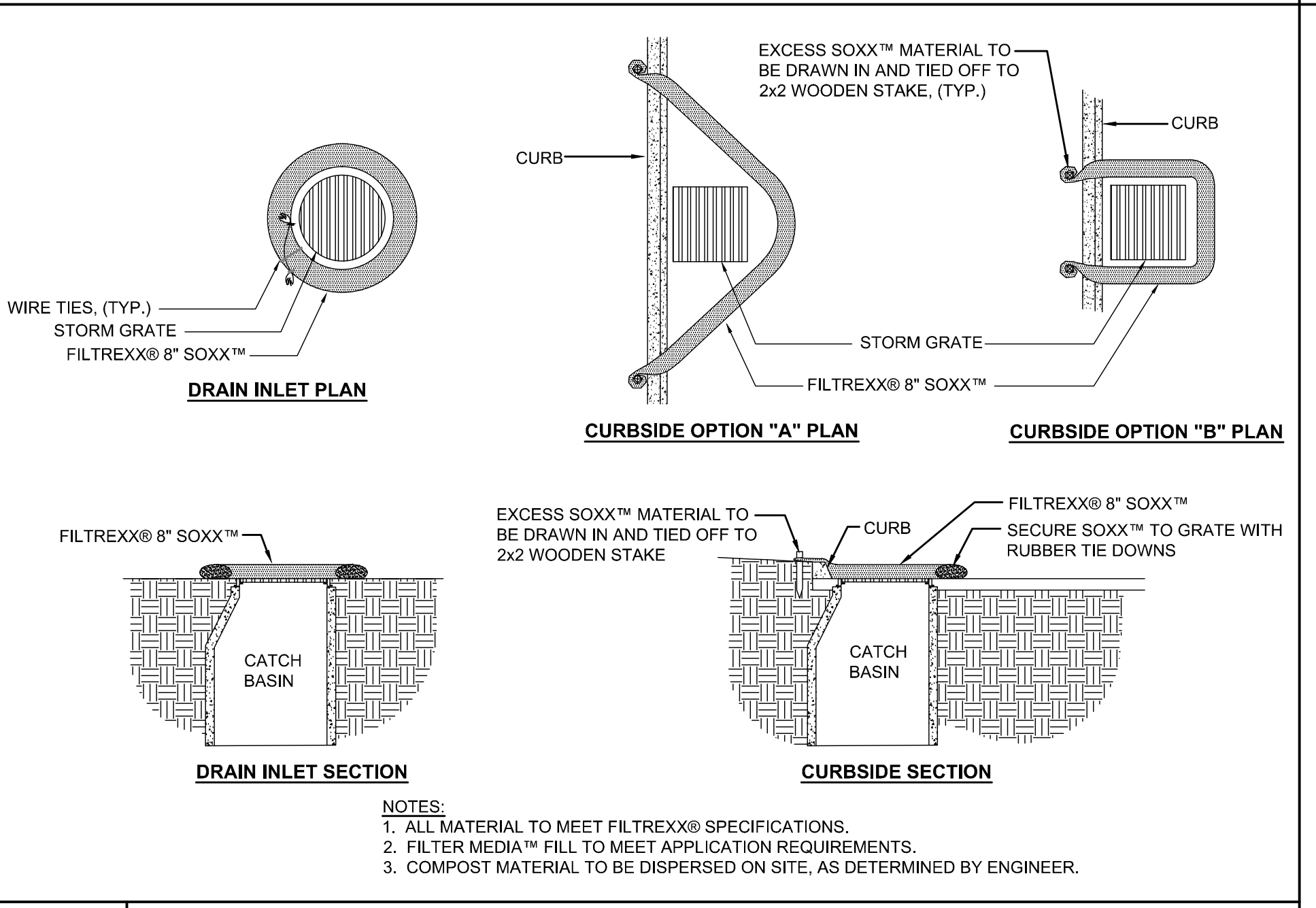


J1 NEW METAL FENCE
NO SCALE

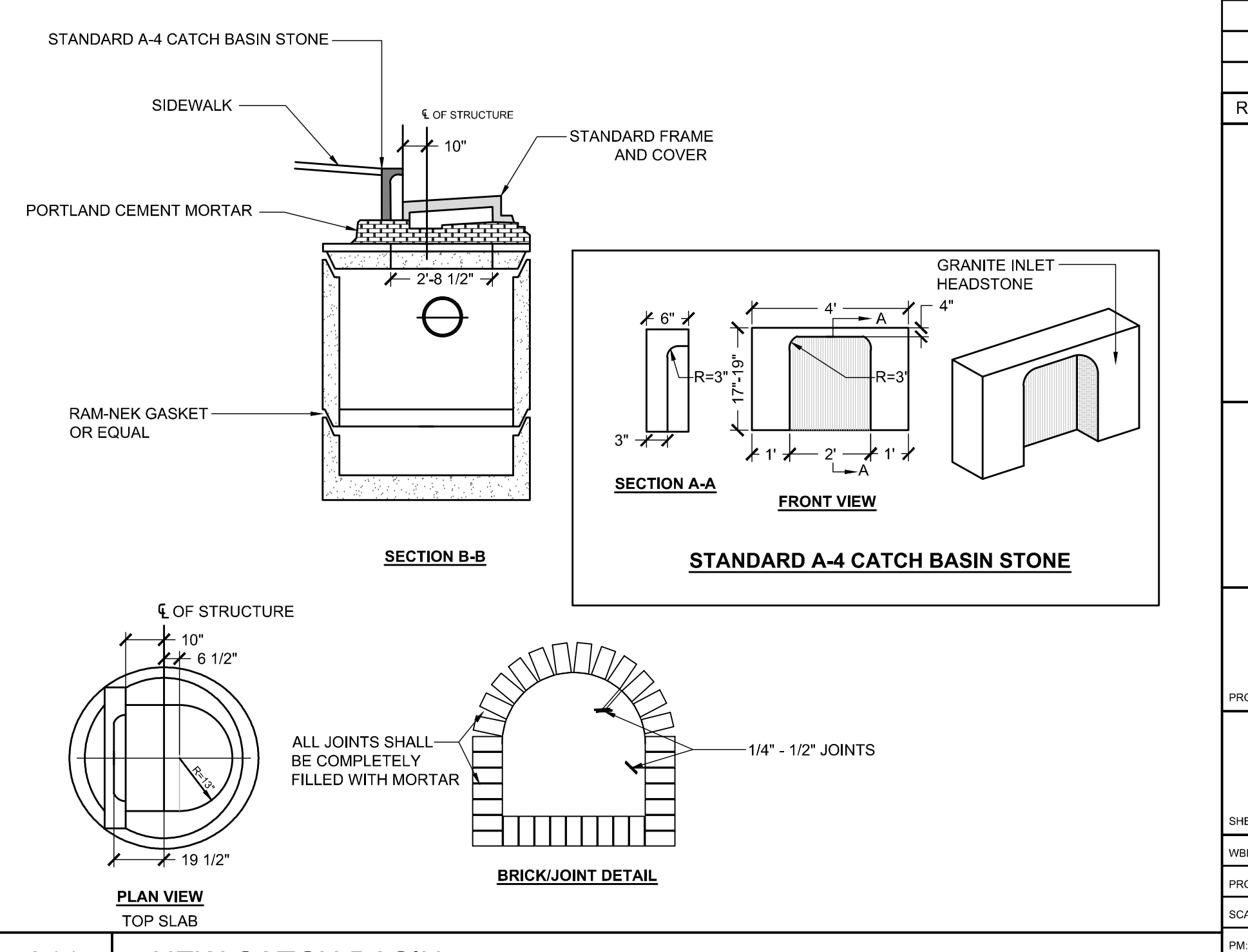
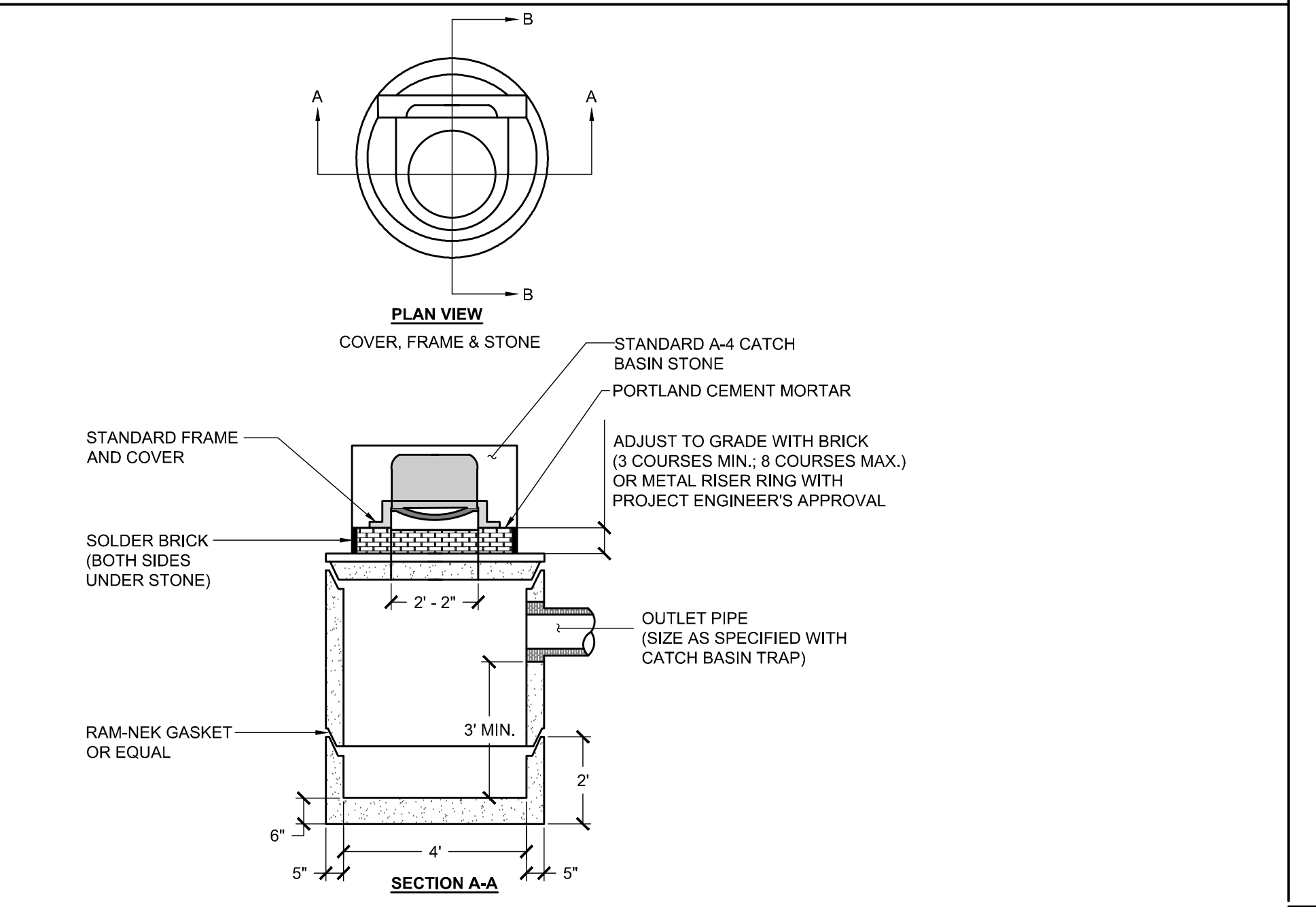
J5 NEW METAL FENCE POST INSTALLATION
NO SCALE

J11 NEW SITE LIGHT
NO SCALE

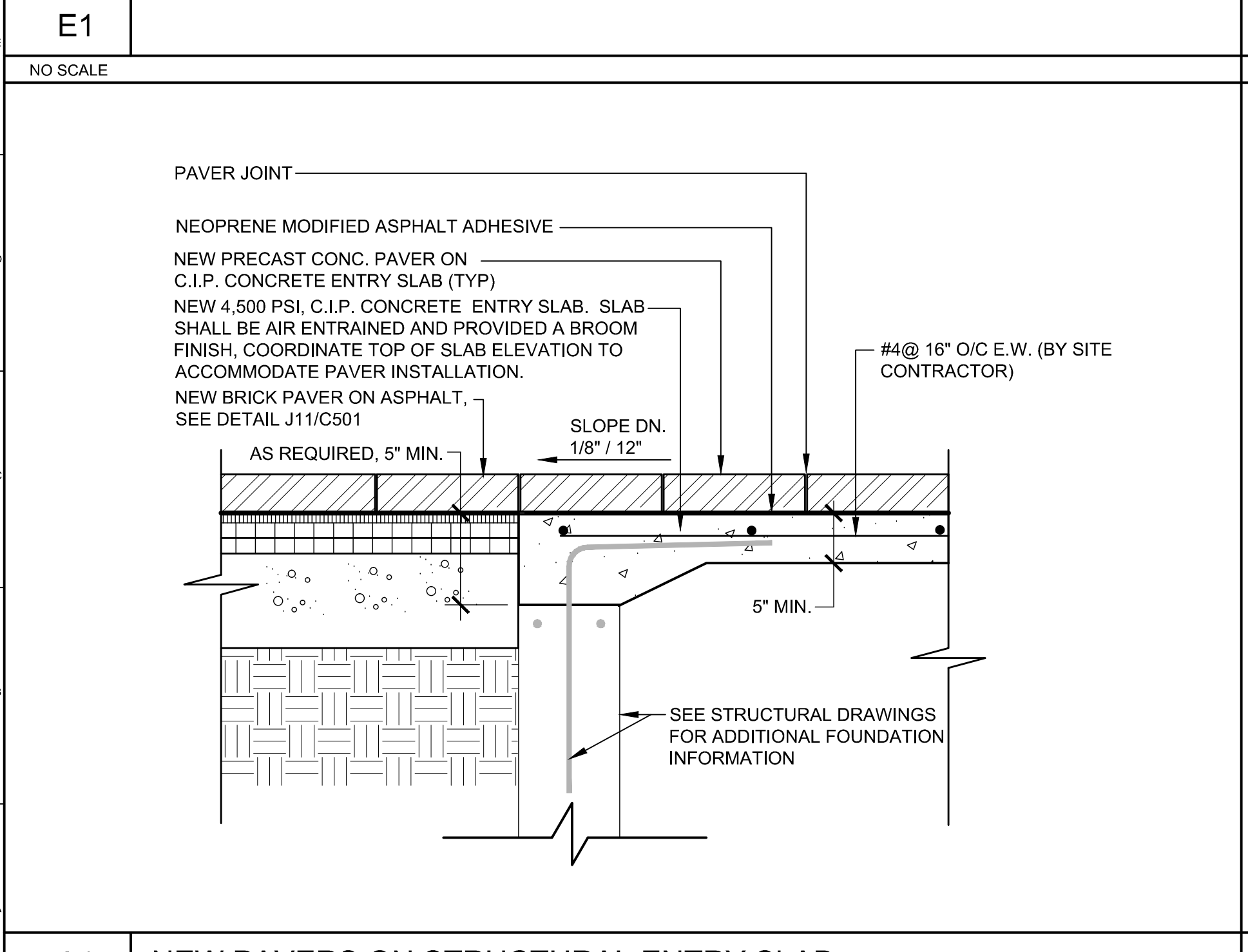
~NOT USED~



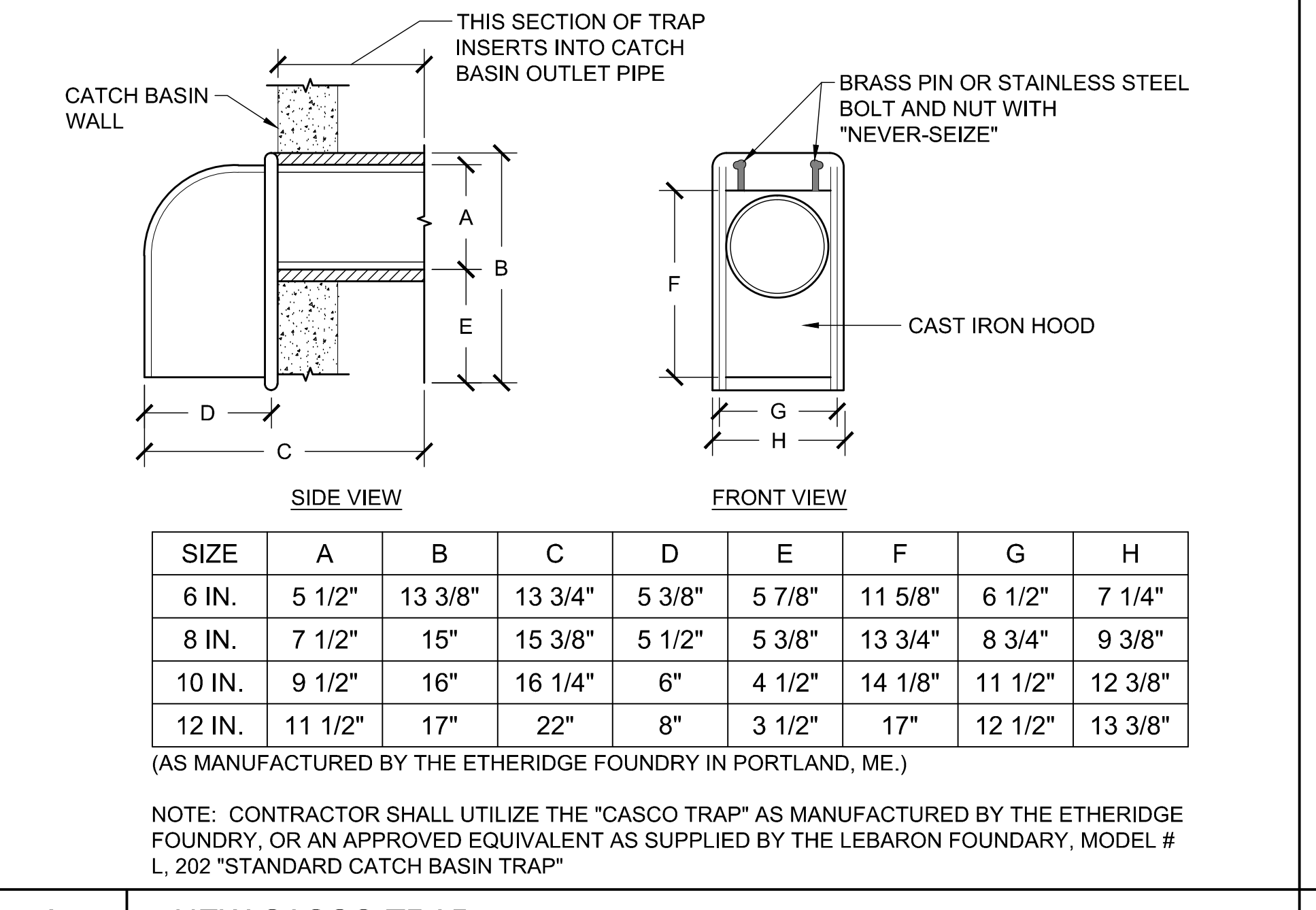
E5 FILTREXX® INLET PROTECTION
NO SCALE



A11 NEW CATCH BASIN
NO SCALE



A1 NEW PAVERS ON STRUCTURAL ENTRY SLAB
NO SCALE



A5 NEW CASCO TRAP
NO SCALE

0 ISSUED FOR BID 6 JUNE 2016

REV.	DESCRIPTION	DATE

WBRC ARCHITECTS • ENGINEERS
 WWW.WBRC.COM
 BANGOR, MAINE 207-947-4511
 PORTLAND, MAINE 207-628-4311
 SARASOTA, FLORIDA 941-377-3383

PROJECT: PORTLAND, MAINE

SITE DETAILS

SHEET TITLE: 407110-C501.DWG
 PROJECT No. 4071.10 GRAPHIC SCALE: 0" = 1"
 SCALE: NO SCALE
 PM: JRB SHEET No. C502
 DRAWN BY: TAR
 A/E OF RECORD: JSK

Jun 06, 2016 - 8:43am
 T:\02 Projects - Maine\4001-4000\407110 Asylum Expansion & Renovation 5D-CAD2 Design\Drawings\407110-C501.dwg JobyRichards