

NOTES:

LUMINAIRE
 HOLOPHANE LIGHTING MODEL: ESP70DMH12A5-PR
 LUMINAIRE SHALL BE CUSTOM COLOR RAL-6012 (DARK GREEN)

LAMP
 HOLOPHANE LIGHTING MODEL: S-MP70/MED 64546
 VERTICAL MOUNTED, 250 WATT MOGUL BASE CLEAR METAL HALIDE LAMP

BRACKET ARM
 HOLOPHANE LIGHTING MODEL PD42CARAL6012
 STEEL CROSSARM WITH A POST-TOP FITTING FOR A 3-1/2" BY 8" TENON. BRACKET ARM SHALL BE CUSTOM COLOR RAL-6012 (DARK GREEN)

SLIP FITTER
 HOLOPHANE LIGHTING MODEL WLF200SCARAL6012
 2-3/8" O.D. WITH SWIVEL CAST FITTER. SLIP FITTER SHALL BE CUSTOM COLOR RAL-6012 (DARK GREEN)

LIGHTING POLE
 TAPERED STEEL POLE SHAFT RATED FOR 90 MPH WIND LOAD WITH A 1.3 GUST FACTOR. PROVIDE FOUR HOT-DIPPED GALVANIZED STEEL L-TYPE ANCHOR BOLTS. LIGHTING POLE SHALL BE HOT DIP GALVANIZED PRIOR TO POWDER COAT PAINT CUSTOM COLOR RAL-6012 (DARK GREEN)

DECORATIVE POLE BASE
 HOLOPHANE LIGHTING NY105517CARAL6012
 DECORATIVE CLAMHELL CAST ALUMINUM BASE. HARDWARE SHALL BE STAINLESS STEEL. DECORATIVE POLE BASE SHALL BE CUSTOM COLOR RAL-6012 (DARK GREEN)

J1 NEW METAL FENCE

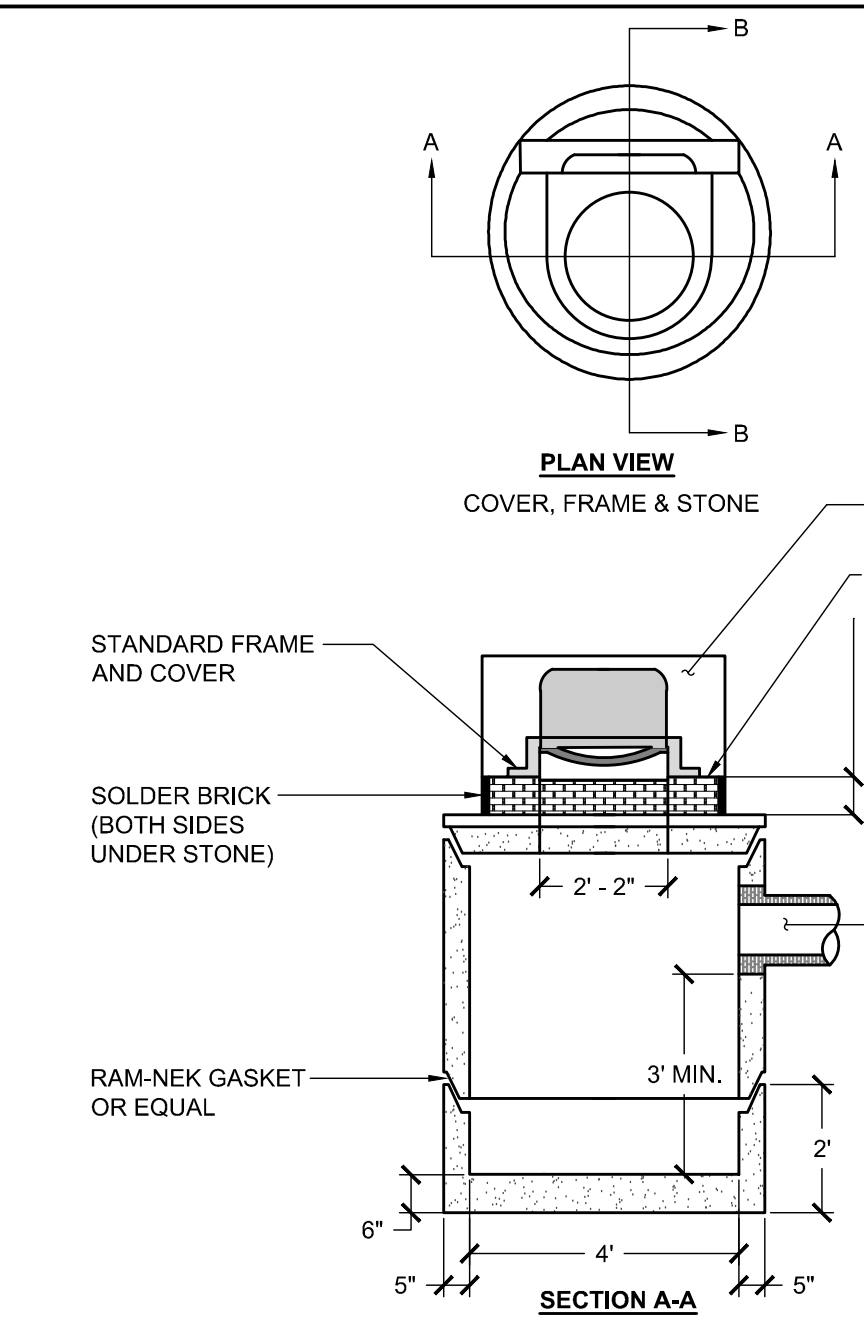
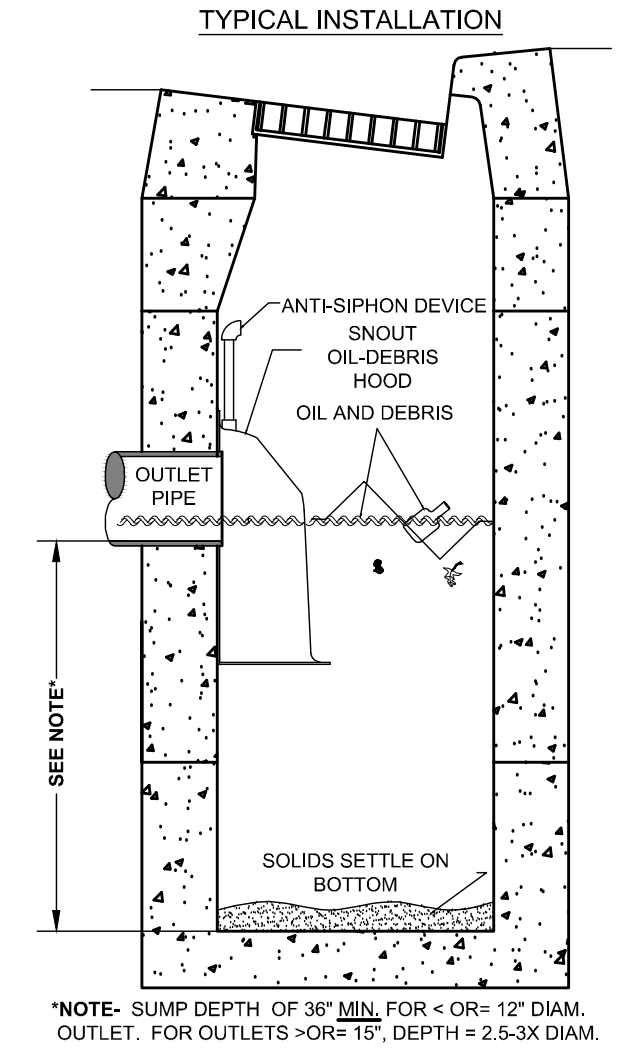
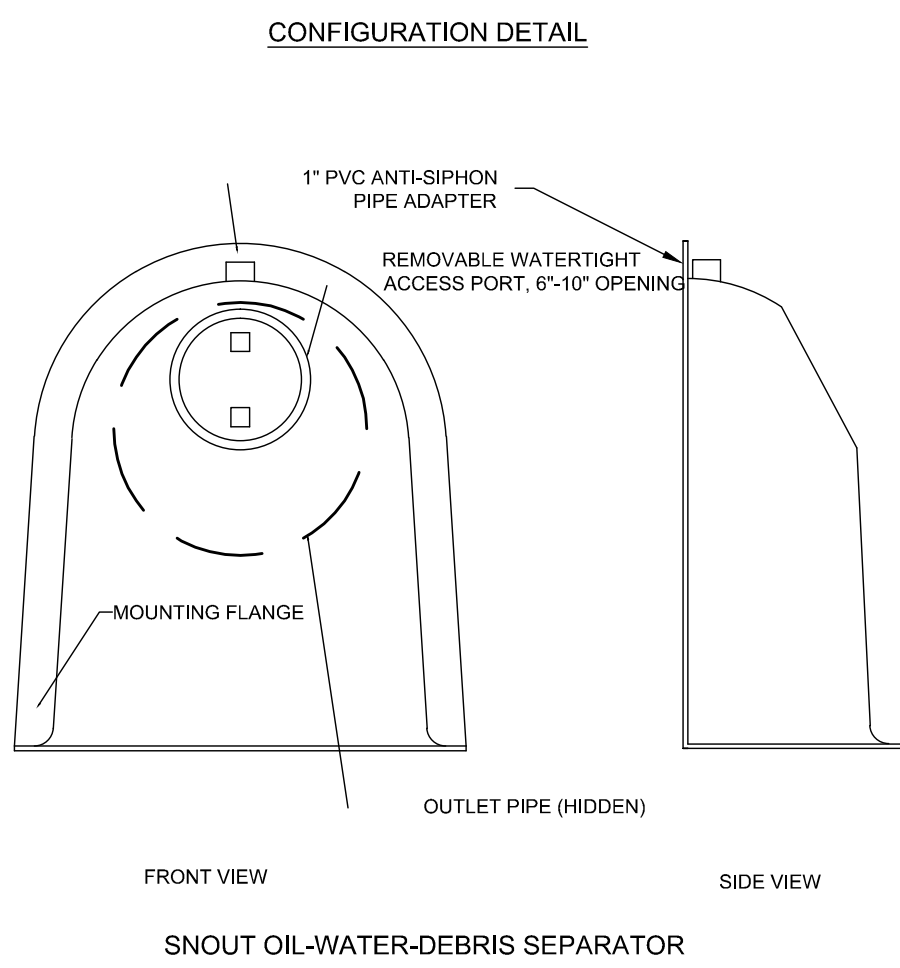
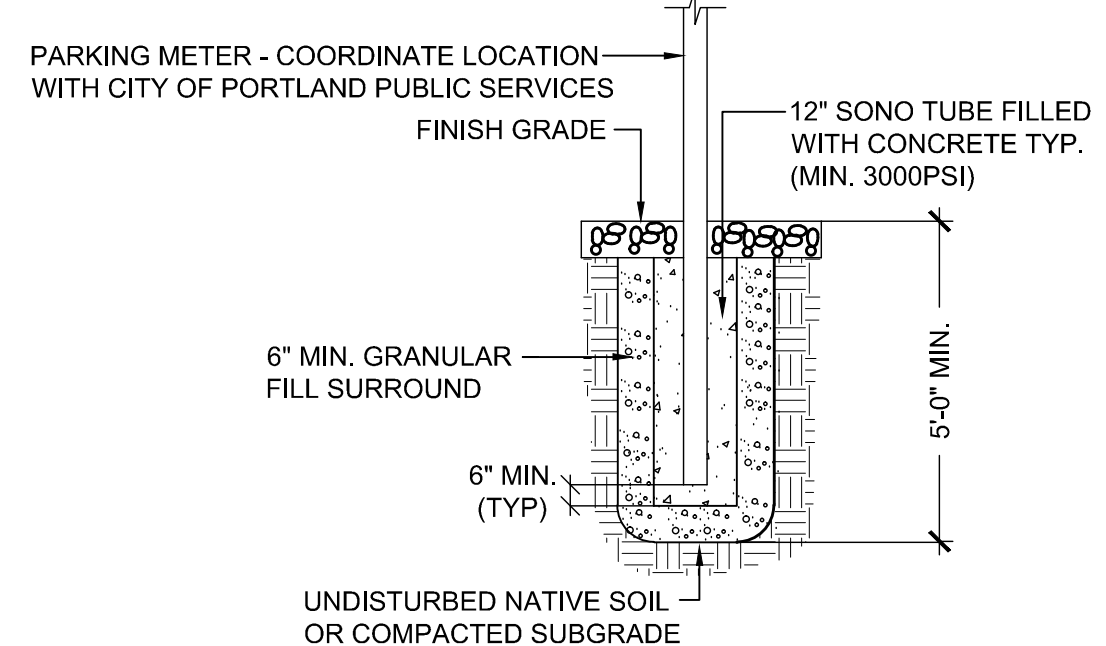
J5 NEW METAL FENCE POST INSTALLATION

J11 NEW SITE LIGHT

NO SCALE

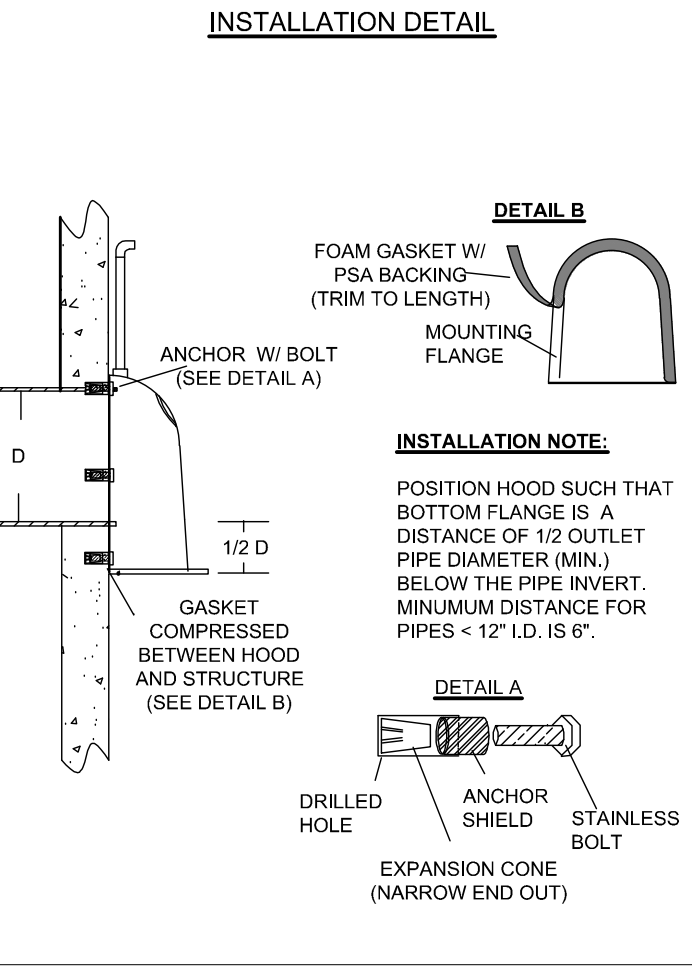
NO SCALE

NO SCALE



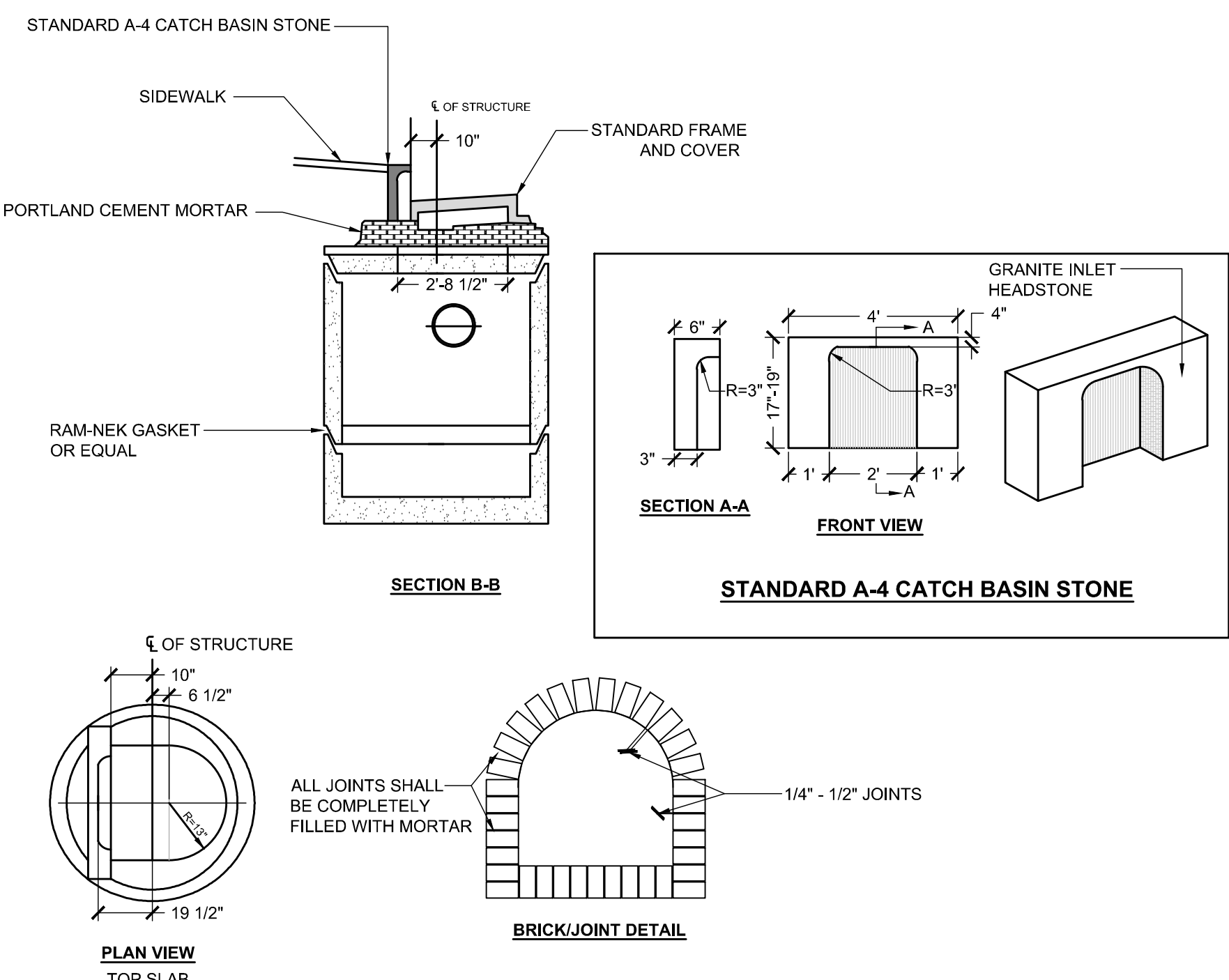
E1 REMOVE/ RESET EXISTING PARKING METER

- NOTES:**
- ALL HOODS AND TRAPS FOR CATCH BASINS AND WATER QUALITY STRUCTURES SHALL BE AS MANUFACTURED BY: BEST MANAGEMENT PRODUCTS, INC. 53 MT. ARCHER RD. LYME, CT 06371 (860) 434-0277; (860) 434-3195 FAX TOLL FREE: (800) 504-8008 OR (888) 354-7585 WEB SITE: www.bestmp.com OR PRE-APPROVED EQUAL
 - ALL HOODS SHALL BE CONSTRUCTED OF A GLASS REINFORCED RESIN COMPOSITE WITH ISO GEL COAT EXTERIOR FINISH WITH A MINIMUM 0.125" LAMINATE THICKNESS.
 - ALL HOODS SHALL BE EQUIPPED WITH A WATERTIGHT ACCESS PORT, A MOUNTING FLANGE, AND AN ANTI-SIPHON VENT AS DRAWN. (SEE CONFIGURATION DETAIL)
 - THE SIZE AND POSITION OF THE HOOD SHALL BE DETERMINED BY OUTLET PIPE SIZE AS PER MANUFACTURER'S RECOMMENDATION.
 - THE BOTTOM OF THE HOOD SHALL EXTEND DOWNWARD A DISTANCE EQUAL TO 1/2 THE OUTLET PIPE DIAMETER WITH A MINIMUM DISTANCE OF 6" FOR PIPES < 12" I.D.
 - THE ANTI-SIPHON VENT SHALL EXTEND ABOVE HOOD BY MINIMUM OF 3" AND A MAXIMUM OF 24" ACCORDING TO STRUCTURE CONFIGURATION.
 - THE SURFACE OF THE STRUCTURE WHERE THE HOOD IS MOUNTED SHALL BE FINISHED SMOOTH AND FREE OF LOOSE MATERIAL.
 - THE HOOD SHALL BE SECURELY ATTACHED TO STRUCTURE WALL WITH 3/8" STAINLESS STEEL BOLTS AND OIL-RESISTANT GASKET AS SUPPLIED BY MANUFACTURER. (SEE INSTALLATION DETAIL)
 - INSTALLATION INSTRUCTIONS SHALL BE FURNISHED WITH MANUFACTURER SUPPLIED INSTALLATION KIT. INSTALLATION KIT SHALL INCLUDE:
 A. INSTALLATION INSTRUCTIONS
 B. PVC ANTI-SIPHON VENT PIPE AND ADAPTER
 C. OIL-RESISTANT CRUSHED CELL FOAM GASKET WITH PSA BACKING
 D. 3/8" STAINLESS STEEL BOLTS
 E. ANCHOR SHIELDS
 - INSTALLATION OF SNOUT SHALL OCCUR BEFORE THE INSTALLATION OF THE FRAME & COVER. US Patent # 6126817



HOOD SPECIFICATION FOR CATCH BASINS AND WATER QUALITY STRUCTURES

DESCRIPTION	DATE	SCALE
OIL-DEBRIS HOOD SPECIFICATION AND INSTALLATION (TYPICAL)	09/08/00	NONE
	DRAWING NUMBER	SP-SN



A1 NEW PAVERS ON STRUCTURAL ENTRY SLAB

A5 NEW SNOUT

A11 NEW CATCH BASIN

NO SCALE

NO SCALE

NO SCALE

0	DD SUBMISSION	25 MAR 2016
REV.	DESCRIPTION	DATE

WBRCA
 ARCHITECTS • ENGINEERS
 WWW.WBRCA.COM
 BANGOR, MAINE 207-947-4511
 PORTLAND, MAINE 207-628-4311
 SARASOTA, FLORIDA 941-577-3583

ASYLUM

PROJECT: PORTLAND, MAINE

SITE DETAILS

SHEET TITLE: 407110-C501.DWG

WBRCA CAD FILE: 407110

PROJECT No. 4071.10 GRAPHIC SCALE: 0" = 1'

SCALE: NO SCALE

DATE: 09/08/00

DRAWN BY: JRB

CHECKED BY: TAR

DATE OF RECORD: JSK

C502

Mar 25, 2016 - 4:26am
 T:\02 Projects - Maine\4001-4004\04110 Asylum Expansion & Renovation 5D-CAD2 Design\Drawings\Site\407110-C501.dwg labryr\chard