



12, 18 and 26 Watt SLIM wallpacks are ultra efficient and deliver impressive light distribution with a compact low-profile design that's super easy to install as a downlight or uplight.

Color: Bronze

Weight: 4.5 lbs

Project:

Type:

Prepared By:

Date:

Driver Info

Type: Constant Current
 120V: 0.27A
 208V: 0.17A
 240V: 0.15A
 277V: 0.13A
 Input Watts: 29W
 Efficiency: 88%

LED Info

Watts: 26W
 Color Temp: 3000K (Warm)
 Color Accuracy: 82 CRI
 L70 Lifespan: 100,000
 Lumens: 2,287
 Efficacy: 78 LPW

Technical Specifications

Listings

UL Listing:

Suitable for wet locations. Suitable for mounting within 1.2m (4ft) of the ground.

ADA Compliant:

SLIM™ is ADA Compliant.

Dark Sky Approved:

The International Dark Sky Association has approved this product as a full cutoff, fully shielded luminaire.

IESNA LM-79 & LM-80 Testing:

RAB LED luminaires have been tested by an independent laboratory in accordance with IESNA LM-79 and LM-80, and have received the Department of Energy "Lighting Facts" label.

Construction

IP Rating:

Ingress Protection rating of IP66 for dust and water.

Cold Weather Starting:

The minimum starting temperature is -40°F/-40°C.

Ambient Temperature:

Suitable for use in 40°C (104°F) ambient temperatures.

Thermal Management:

Superior heat sinking with internal Air-Flow fins.

Housing:

Precision die-cast aluminum housing.

Mounting:

Heavy-duty mounting bracket with hinged housing for easy installation.

Recommended Mounting Height:

Up to 22 ft.

Lens:

Tempered glass lens.

Reflector:

Specular thermoplastic.

Gaskets:

High-temperature silicone.

Finish:

Our environmentally friendly polyester powder coatings are formulated for high-durability and long-lasting color, and contains no VOC or toxic heavy metals.

Green Technology:

Mercury and UV free, and RoHS compliant.

LED Characteristics

LED:

Multi-chip, long-life LED.

Lifespan:

100,000-hour LED lifespan based on IES LM-80 results and TM-21 calculations.

Color Consistency:

3-step MacAdam Ellipse binning to achieve consistent fixture-to-fixture color.

Color Stability:

LED color temperature is warranted to shift no more than 200K in CCT over a 5 year period.

Color Uniformity:

RAB's range of CCT (Correlated Color Temperature) follows the guidelines for the American National Standard for Specifications for the Chromaticity of Solid State Lighting (SSL) Products, ANSI C78.377-2011.

Electrical

Driver:

Constant Current, Class 2, 100-277V, 50/60 Hz., 6KV surge protection, 720mA, 100-277VAC 0.4 Amps, Power Factor 99%.

THD:

13.5% at 120V

Other

HID Replacement Range:

The SLIM26 can be used to replace 175W MH based on delivered lumens.

Buy American Act Compliant:

This product is a COTS item manufactured in the United States, and is compliant with the Buy American Act.

Recovery Act (ARRA) Compliant:

This product complies with the 52.225-21 "Required Use of American Iron, Steel, and Manufactured Goods-- Buy American Act-- Construction Materials (October 2010).

Technical Specifications (continued)

Other

Trade Agreements Act Compliant:

This product is a COTS item manufactured in the United States, and is compliant with the Trade Agreements Act.

GSA Schedule:

Suitable in accordance with FAR Subpart 25.4.

California Title 24:

See SLIM26/D10 for a 2013 California Title 24 compliant product. Any additional component requirements will be listed in the Title 24 section under technical specifications on the product page.

Patents:

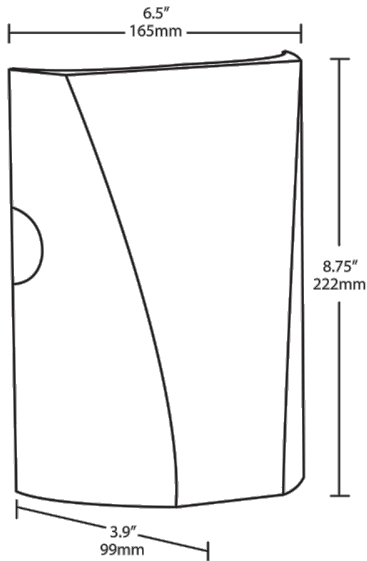
The design of the SLIM™ is protected by patents in U.S. Pat D681,864, and pending patents in Canada, China, Taiwan and Mexico.

Optical

BUG Rating:

B1 U0 G0

Dimensions



Features

- Full cutoff, fully shielded LED wallpack
- Can be used as a downlight or uplight
- Contractor friendly features for easy installation
- 100,000-hour LED Life
- 5-Year Warranty

Ordering Matrix

Family	Watts	Color Temp	Finish	Photocell	Dimming
SLIM	26 = 26W 18 = 18W 12 = 12W	= Cool Y = Warm N = Neutral	= Bronze W = White	= No Photocell /PC = 120V Button /PC2 = 277V Button	= No Dimming /D10 = Dimmable



DL-FLEX-WET-RGB

LED WET LOCATION FLEXIBLE LINEAR
DL-FLEX-WET RGB STATIC SERIES

Type	
Project	
Catalog No.	



DESCRIPTION

The **DL-FLEX-WET-RGB** Series is a color changing waterproof lighting system. Designers can create light output that can be varied and also programmed to almost any color desired including appropriate Pantone® PMS colors**, allowing the highest level of lighting sophistication. Made of highly flexible material that can be applied to most surfaces categorized as having high surface energy using pre-applied 3M® double-sided tape.

** Pantone PMS colors may not match 100% perfectly due to the color difference between light emission and ink.

SPECIFICATIONS

Color	RGB
Wattage (per ft)	3.9 W (Max)
Lumens (per ft)	96 lm (Max)
Efficacy	25 lm/W
Beam Angle	120°
Input Voltage	24V DC
Lamp Life	50,000 hours
Dimensions (per section)	5/8"W x 5/16"H
LEDs (per ft)	18
Operating Temperature *	-22°F - 122°F
Max Run †	20'
Min Run †	~ 4"
Mounting	Clips or Channel
Environment ‡	Wet, Damp, and Dry location IP67
Certifications	
Warranty	5 Years – see published warranty terms for detailed information.

* Exceeding the operating temperature values may damage the LEDs by reducing the lifespan, lumen output, and adversely impact color consistency. It is recommended adequate airflow and heatsinking be taken into consideration in the installation and application of this product. Improper thermal management may lead to premature product failure.

† Single runs can not exceed max run values. Cuts can only be made on the cutting mark. Can not be joined after cut. Use end cap and sealant after cut.

‡ This product cannot be submersed in water.

LUMEN DATA

Color	Watts (per ft)	Lumens (per ft)	Efficacy (lm/W)
Red	1.3	33	25
Blue	1.3	12	9
Green	1.3	51	39

FEATURES

- Low power consumption, low heat output.
- No UV/IR radiation emitted, no mercury.
- For a 90° bend or tighter, do so at the cutting mark.

APPLICATIONS

- Outdoor gardens
- Path and contour marking
- Outdoor display lighting
- Bathroom lighting
- Signage
- Accent and edge lighting
- Backlighting



DL-FLEX-WET-RGB

LED WET LOCATION FLEXIBLE LINEAR
DL-FLEX-WET RGB STATIC SERIES

Type	
Project	
Catalog No.	

ORDERING INSTRUCTIONS

Step	Length (ft)	Model
1 Specify the length	1 to 20	DL-FLEX-WET-RGB

	Input Type	Description	Application
2 Specify the input connection	DL-FLEX-OD-RGB-PC-HW	Bare wire	Hard Wire

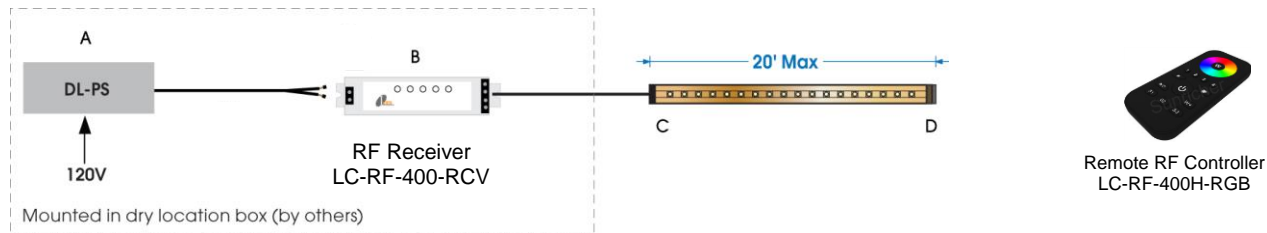
	Output Type	Description	Application
3 Specify the output connection	DL-FLEX-OD-RGB-PC-HW	Bare wire	Hard Wire
	DL-FLEX-OD-EC	End Cap	End the run

Example	QTY	Part Number	Order Description
	12	DL-FLEX-WET-RGB	One 12 ft run of FLEX-WET-RGB with input and output wires
	2	DL-FLEX-OD-RGB-PC-HW	
	18	DL-FLEX-WET-RGB	One 18 ft run of FLEX-WET-RGB with an input wires and end cap
	1	DL-FLEX-OD-RGB-PC-HW	
	1	DL-FLEX-OD-EC	

WIRING DIAGRAMS – For reference purposes only. Not to scale. Not for installation purposes.

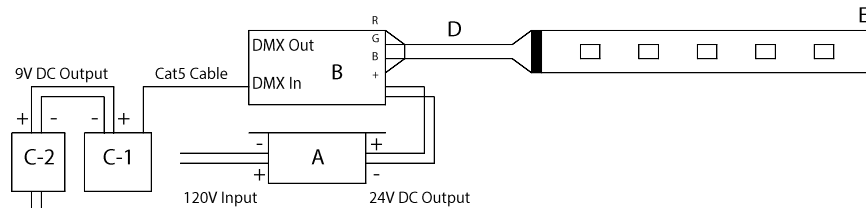
24V • REMOTE RF RGB CONTROLLER • HARD-WIRE

Description	LC-RF-400H-RGB
A. Power Supply	DL-PS-XX/24-JB-OD
B. Controller	LC-RF-400H-RGB using LC-RF-400-RCV
C. Fixture	DL-FLEX-WET-RGB wired with DL-FLEX-WET-RGB-PC-HW
D. End Cap	DL-FLEX-OD-RGB-EC



24V • DMX CONTROLLER • SINGLE RUN

Description	LC-PC-100 (Shown)	LC-PC-400 / LC-PC-500
A. Power Supply	DL-PS-xx/24-JB-OD	DL-PS-xx/24-JB-OD
B. DMX Interface	LC-200-INT	LC-200-INT
C-1. Controller	LC-PC-100	LC-PC-400 / LC-PC-500
C-2. Controller Power Supply	DL-PS-WP/USB-MN	Hard-Wire power supply included with controller
D. Power Connector	DL-FLEX-OD-RGB-PC-HW	DL-FLEX-OD-RGB-PC-HW
E. Fixture	DL-FLEX-WET-RGB	DL-FLEX-WET-RGB



24V • DMX CONTROLLER • MULTIPLE RUNS

Runs are controlled at the same time.



www.jescolighting.com
support@jescolighting.com
Tech Support: 855.592.0029

15 Harbor Park Drive
Port Washington, NY 11050
Main Line: 800.527.7796
Fax Line: 855.265.5768

219 South 6th Ave
City of Industry, CA 91746
Main Line: 855.654.0110
Fax Line: 626.333.2955

Specifications subject to change without notice.



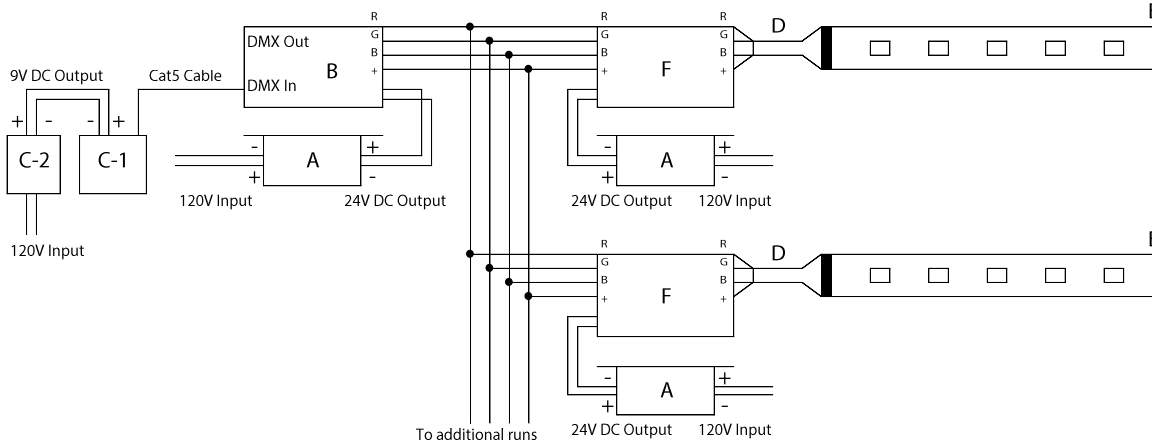
DL-FLEX-WET-RGB

LED WET LOCATION FLEXIBLE LINEAR
DL-FLEX-WET RGB STATIC SERIES

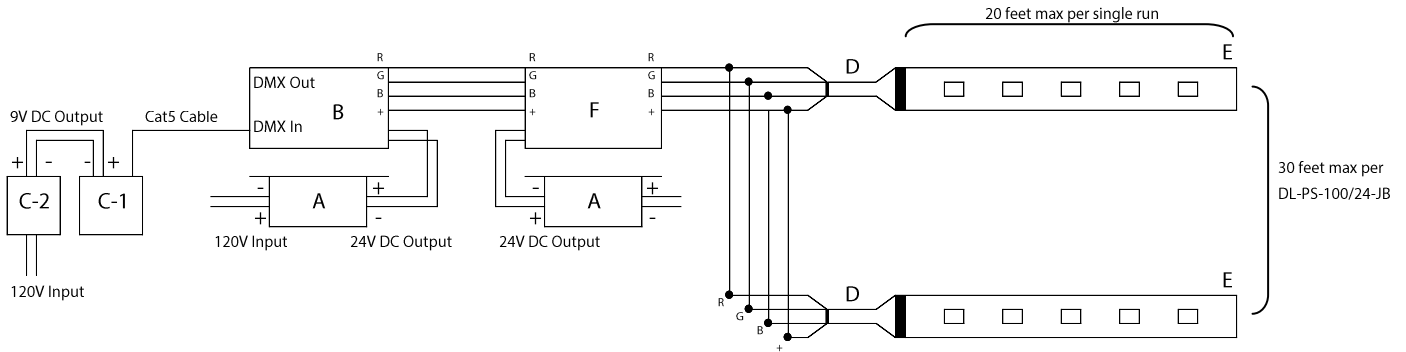
Type	
Project	
Catalog No.	

Description	LC-PC-100	LC-PC-400 / LC-PC-500
A. Power Supply	DL-PS-xx/24-JB-OD	DL-PS-xx/24-JB-OD
B. DMX Interface	LC-200-INT	LC-200-INT
C-1. Controller	LC-PC-100	LC-PC-400 / LC-PC-500
C-2. Controller Power Supply	DL-PS-WP/USB-MN	Hard-Wire power supply included with controller
D. Power Connector	DL-FLEX-OD-RGB-PC-HW	DL-FLEX-OD-RGB-PC-HW
E. Fixture	DL-FLEX-WET-RGB	DL-FLEX-WET-RGB
F. Repeater	LC-200-RPT	LC-200-RPT

1. Multiple Repeaters per DMX Interface



2. Multiple DL-FLEX-WET-RGB per Repeater





DL-FLEX-WET-RGB

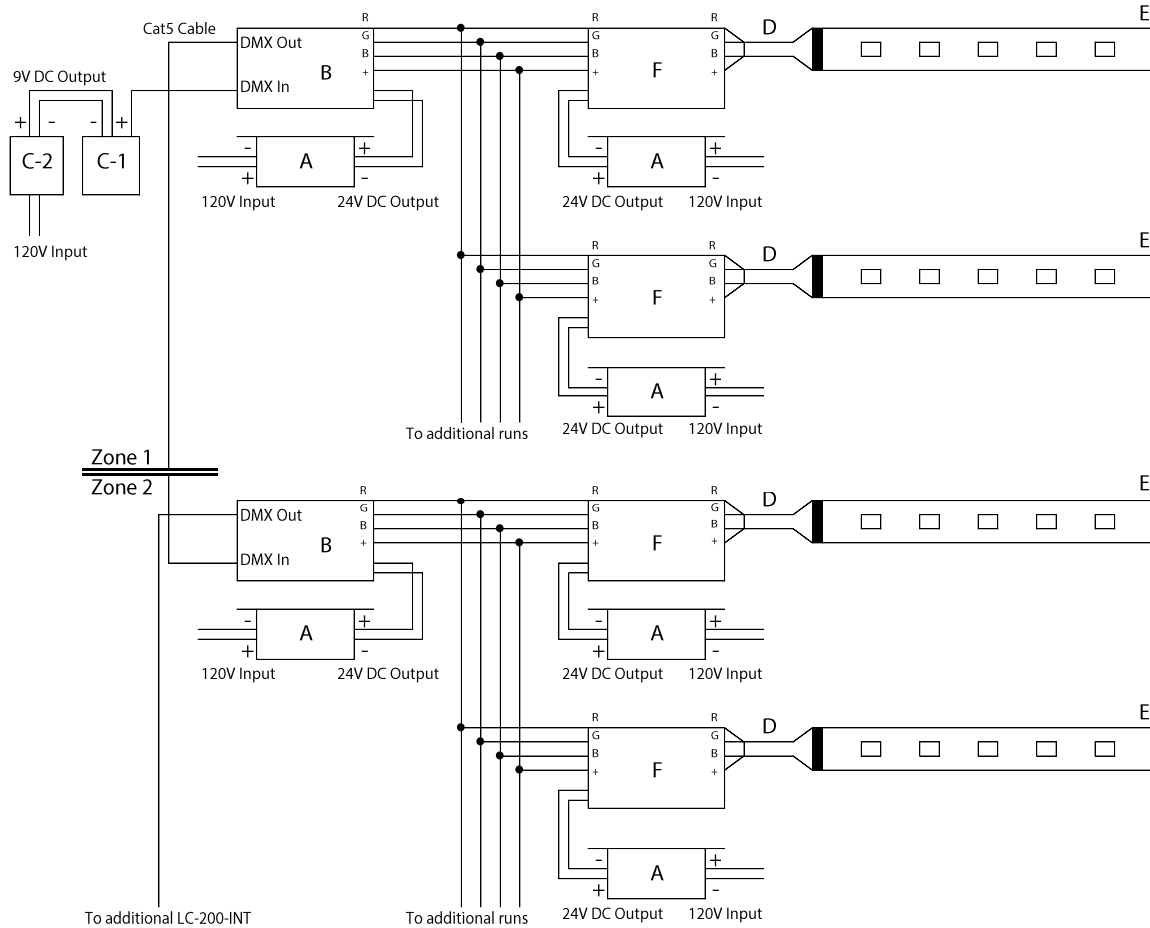
LED WET LOCATION FLEXIBLE LINEAR
DL-FLEX-WET RGB STATIC SERIES

Type	
Project	
Catalog No.	

24V • DMX CONTROLLER • MULTIPLE ZONES

Runs are controlled by zone. Each zone may be controlled independently.

Description	LC-PC-100	LC-PC-400 / LC-PC-500
A. Power Supply	DL-PS-xx/24-JB-OD	DL-PS-xx/24-JB-OD
B. DMX Interface	LC-200-INT	LC-200-INT
C-1. Controller	LC-PC-100	LC-PC-400 / LC-PC-500
C-2. Controller Power Supply	DL-PS-WP/USB-MN	Hard-Wire power supply included with controller
D. Power Connector	DL-FLEX-OD-RGB-PC-HW	DL-FLEX-OD-RGB-PC-HW
E. Fixture	DL-FLEX-WET-RGB	DL-FLEX-WET-RGB
F. Repeater	LC-200-RPT	LC-200-RPT





DL-FLEX-WET-RGB

LED WET LOCATION FLEXIBLE LINEAR
DL-FLEX-WET RGB STATIC SERIES

Type	
Project	
Catalog No.	

POWER SUPPLIES – See Specification Sheets for more information.

If the Max Load of a power supply exceeds the fixture's Max Run, then you may install multiple runs per given power supply.
 Wattage = Max power capacity of power supply. May need to be de-rated if operating at max temperature.
 Max Load = Fixture quantity a power supply can power.
 Max Run = Maximum length of a single run.

Hard-Wire Power Supplies Wet, Damp, or Dry Location UL Listed (with Junction Box)		DL-FLEX-WET-RGB Max Run : 20 ft 3.9 W/ft
Model Number	Wattage	Max Load (ft)
DL-PS-80/24-JB-OD	80	18
DL-PS-96/24-JB-OD	96	22


Hard-Wire Power Supplies Dry Location UL Listed (with Junction Box)		DL-FLEX-WET-RGB Max Run : 20 ft 3.9 W/ft
Model Number	Wattage	Max Load (ft)
DL-PS-20/24-JBA	20	4
DL-PS-60/24-JBA	60	13
DL-PS-96/24-JBA	96	22


Hard-Wire Power Supplies Dry Location UL Recognized (with Junction Box)		DL-FLEX-WET -RGB Max Run : 20 ft 3.9 W/ft
Model Number	Wattage	Max Load (ft)
DL-PS-35/24-JB	35	8
DL-PS-60/24-JB	60	13
DL-PS-100/24-JB	96	22

Plug & Play Power Supplies Dry Location UL Listed		DL-FLEX-WET-RGB Max Run : 20 ft 3.9 W/ft
Model Number	Wattage	Max Load (ft)
DL-PS-WP24/24	24	5
DL-PS-24/24	24	5
DL-PS-48/24	48	11
DL-PS-60/24	60	13
DL-PS-100/24	90	20
DL-PS-100/24-CL2 *	96	22

* Class 2

INPUT/OUTPUT POWER CONNECTOR & END CAP

	Part Number	Description
	DL-FLEX-OD-RGB-PC-HW	FLEX-OD-RGB bare wire power lead wires * Length: 12 inches Clear Wire

	Part Number	Description
	DL-FLEX-OD-RGB-EC	FLEX-OD end cap

* All dimensions are nominal







DL-FLEX-WET-RGB

LED WET LOCATION FLEXIBLE LINEAR
DL-FLEX-WET RGB STATIC SERIES

Type	
Project	
Catalog No.	

OUTDOOR CONNECTION CABLES

	Part Number	Description
	DL-PS-OD-RGB-2Y	2-Way splitter, clear wire * Overall Length: 13 inches Length of Split Lead: 6 inches Lock Nut Diameter: 11/16 inch Requires DL-PS-W-EC on open ends
	DL-PS-OD-RGB-3Y	3-Way splitter, clear wire * Overall Length: 13 inches Length of Split Lead: 6 inches Lock Nut Diameter: 11/16 inch Requires DL-PS-W-EC on open ends
	DL-PS-OD-RGB-EC	Outdoor connector end cap Must be attached to the end of any open run.

	Part Number	Description
	DL-PS-OD-RGB-EXT18	Extension cable, clear wire * Length: 18 inches Lock Nut Diameter: 11/16 inch
	DL-PS-OD-RGB-EXT48	Extension cable, clear wire * Length: 48 inches Lock Nut Diameter: 11/16 inch
	DL-PS-OD-RGB-EXT96	Extension cable, clear wire * Length: 96 inches Lock Nut Diameter: 11/16 inch

* All dimensions are nominal

RGB/DMX CONTROLLER OPTIONS

LC-IR-300	Simple Infrared RGB Controller
LC-RF-300	Simple Radio Frequency RGB Controller
LC-RF-400H-RGB	Advanced Hand-held Radio Frequency RGB Controller
LC-RF-410W-RGB	Advanced Wall Mount Radio Frequency RGB Controller
LC-PC-100	Simple DMX Controller
LC-PC-400	Advanced DMX Controller
LC-PC-500	Advanced DMX Controller

See our complete line of remote, wall mounted and hand-held [RGB](#) and [DMX](#) controllers online for more information.



RGB



DMX

CONTROLLER ACCESSORIES (not for outdoor installation)

LC-RF-400-RCV	Radio Frequency Receiver
LC-200-INT	DMX Interface
LC-200-RPT	Power Repeater

MOUNTING ACCESSORIES



www.jescolighting.com
support@jescolighting.com
Tech Support: 855.592.0029

15 Harbor Park Drive
Port Washington, NY 11050
Main Line: 800.527.7796
Fax Line: 855.265.5768

219 South 6th Ave
City of Industry, CA 91746
Main Line: 855.654.0110
Fax Line: 626.333.2955

Specifications subject to change without notice.



DL-FLEX-WET-RGB

LED WET LOCATION FLEXIBLE LINEAR
DL-FLEX-WET RGB STATIC SERIES


Type	
Project	
Catalog No.	

See Channel Feature Matrix below.

See our complete line of rough-in, recessed and surface mount [FLEXIBLE LINEAR MOUNTING CHANNELS](#) online for more information.



MOUNTING ACCESSORIES

	Part Number	Description
	DL-PS-OD-CLIP	Mounting clip for DL-FLEX-WET, recommended 3 per foot.

For outdoor applications, we recommend to install DL-FLEX-WET on a channel or secure with DL-PS-OD-CLIP, depending on mounting surface.



DL-FLEX-WET-RGB

LED WET LOCATION FLEXIBLE LINEAR
DL-FLEX-WET RGB STATIC SERIES

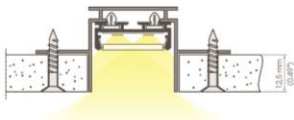
Type	
Project	
Catalog No.	

CHANNEL FEATURE MATRIX

	ROUGH-IN				BASIC
	CH-RI-11	CH-RI-12	CH-RI-13	CH-RI-14	DL-FLEX-OD-CH6
DL-FLEX-UP	•	•	•	•	•
DL-FLEX-HO	•	•	•	•	•
DL-FLEX-UP-ULTRA	•	•	•	•	•
DL-FLEX-HD	•	•	•	•	•
DL-FLEX-UP-RGB	•	•	•	•	•
DL-FLEX-UP-CTA	•	•	•	•	•
DL-FLEX-WET	•	•	•	•	•
Surface Mounting			C	C/E	D
45° Mounting					
Recessed – For Miter Grooves					
Rough-in – For Walls & Ceilings	A/B	A	A	A	
Adjustable Mounting					
Outdoor Mounting					•
Flangeless			•	•	•
Flanged	•	•			
Lens Included					
Lensless					•
Lens – UV and Fire Rated up to 240F option	•	•	•		
Small Profile Depth – Diffused Light					•
Medium Profile Depth – More Diffused Light					
Large Profile Depth – Best Diffused Light	•	•	•	•	
Aluminum – Anodized	•	•	•	•	•
MDF (easy paintable)					
6 Ft. Length					•
6-1/2 Ft. Length (2 meters)	•	•	•	•	

SUGGESTED MOUNTING TECHNIQUES

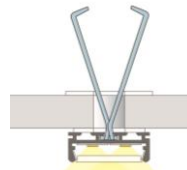
A Drywall Recessed Rough-In Mounting with Channel Housing



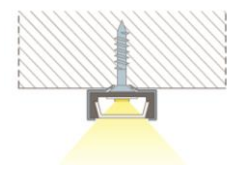
B Drywall Recessed Rough-In Mounting with Spring Clip



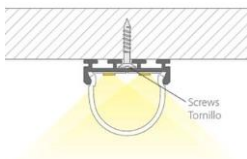
C Surface Mounting onto Drywall or Drop Ceilings



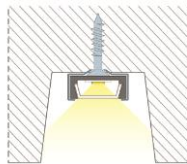
D Surface Mounting with Bracket



E Surface mounting by Sliding onto Flat Head Screws



F Recessed Mounting into Mitered Groove with Bracket



G Recessed Mounting into a Mitered Groove using a flanged Channel





search: submit

- COMPANY
- PRODUCTS
- DOWNLOADS
- SHOWROOMS
- NEWS & EVENTS
- CONTACT

PRODUCTS

Home > Products > LED Flexible Linear Lighting > DL-FLEX Series > FLEX OUTDOOR > Accessories



DL-FLEX-OD-CH6

DL-FLEX-OD-CH6 (Aluminum Channel)

Field cuttable aluminum channel.

Length: 6'

Width: 11/16"

Height: 7/16"

122

[Email Page](#) | [Print Page](#)

Subscribe to our newsletter: submit

For questions or assistance, email or call 800.527.7796

[Company](#) | [Downloads](#) | [Showrooms](#) | [News & Events](#) | [Contact](#) | [privacy policy](#) | [site map](#)