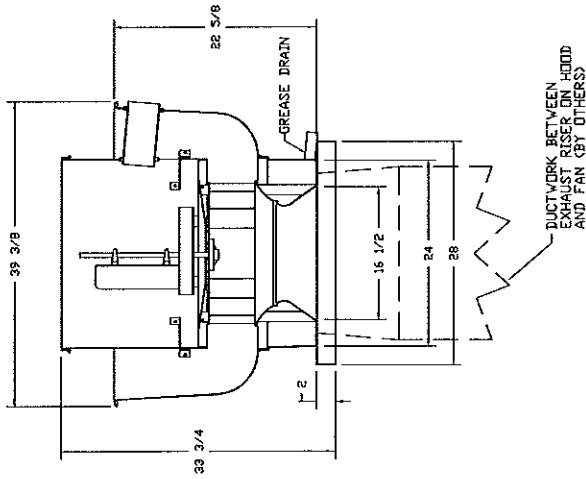


FANS #1, #2 - NCA16EA EXHAUST FAN



**FEATURES:**

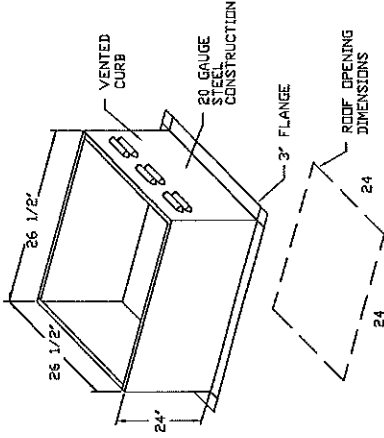
- ROOF MOUNTED FANS
- RESTAURANT MODEL
- UL705 AND UL762
- APCA SOUND AND AIR CERTIFIED
- WIRING FROM MOTOR TO DISCONNECT SWITCH
- WEATHERPROOF DISCONNECT
- HIGH HEAT OPERATION 300°F (149°C)
- GREASE CLASSIFICATION TESTING

**NORMAL TEMPERATURE TEST**  
 EXHAUST FAN MUST OPERATE CONTINUOUSLY WHILE EXHAUSTING AIR AT 300°F (149°C) UNTIL ALL FAN PARTS HAVE REACHED THERMAL EQUILIBRIUM, AND WITHOUT ANY DEGRADATING EFFECTS TO THE FAN WHICH WOULD CAUSE UNSAFE OPERATION.

**ABNORMAL FLARE-LIP TEST**  
 EXHAUST FAN MUST OPERATE CONTINUOUSLY WHILE EXHAUSTING BURNING GREASE VAPORS AT 600°F (316°C) FOR A PERIOD OF 15 MINUTES WITHOUT THE FAN BECOMING DAMAGED TO ANY EXTENT THAT COULD CAUSE AN UNSAFE CONDITION.

**OPTIONS**

- GREASE BOX
- FAN BASE CERAMIC SEAL - FOR GREASE DUCTS



JOB Asylum	
LOCATION	Monmouth, ME,
DATE	1/8/2016
DWG #	6
REV.	
JOB #	2531812
DRAWN BY	BFC-21
SCALE	3/8" = 1'-0"