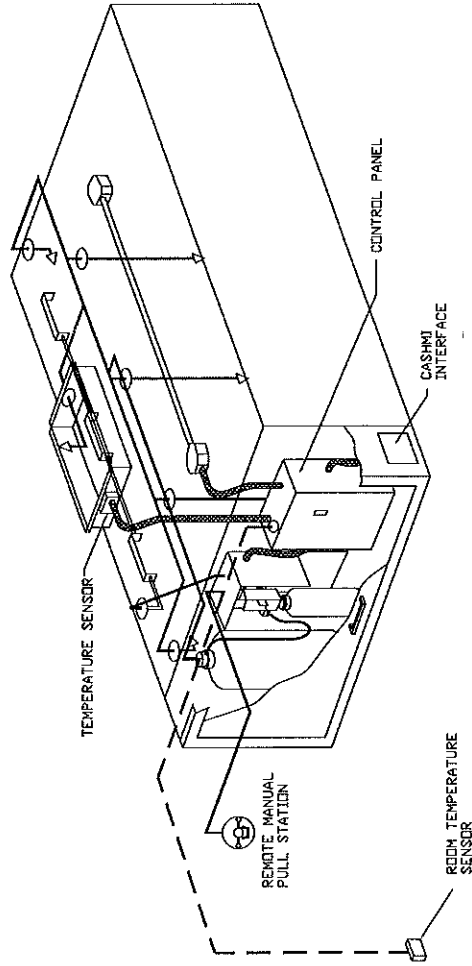


ELECTRICAL PACKAGES - Job#2531812

NO.	TAG	PACKAGE #	LOCATION	SWITCHES		OPTION	FANS CONTROLLED				
				LOCATION	QUANTITY		TYPE	#	H.P.	VOLT	FLA
1		SC-22110FP	Utility Cabinet Right	Utility Cabinet Right	1 Light	Smart Controls Thermostatic Control	Exhaust	1	1,500	230	10.2
				Hood # 2	1 Fan		Exhaust	1	1,500	230	10.2
							Supply	1	2,000	230	9.3



TYPICAL CONTROL CENTER INSTALLATION

JOB ASylum	
LOCATION	Monmouth, ME,
DATE	1/8/2016
DWC #	11
REV.	
JOB #	2531812
DRAWN BY	BFC-21
SCALE	3/8" = 1'-0"

CAPTIVE

