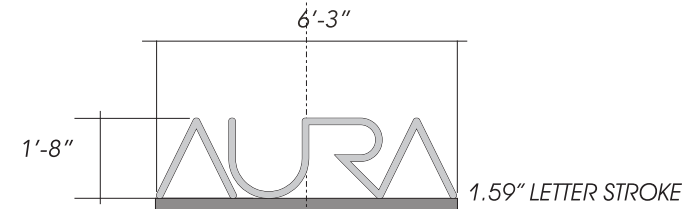
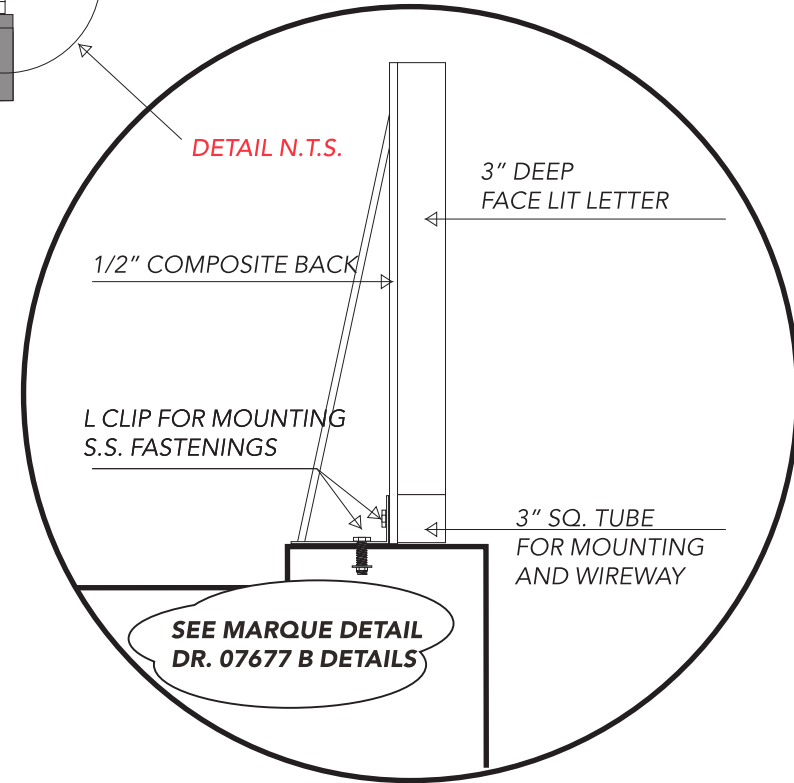


ANGLED BACK BRACING FOR WIND LOAD IF REQUIRED



MAIN ENTRY SIGN ON CANOPY

(1) SET OF FACE LIT THIN TRIM LETTERS

FABRICATED METAL LETTERS: FACES: WHITE ACRYLIC WITH VINYL / 3" RETURNS: WHITE

BACKS: METAL

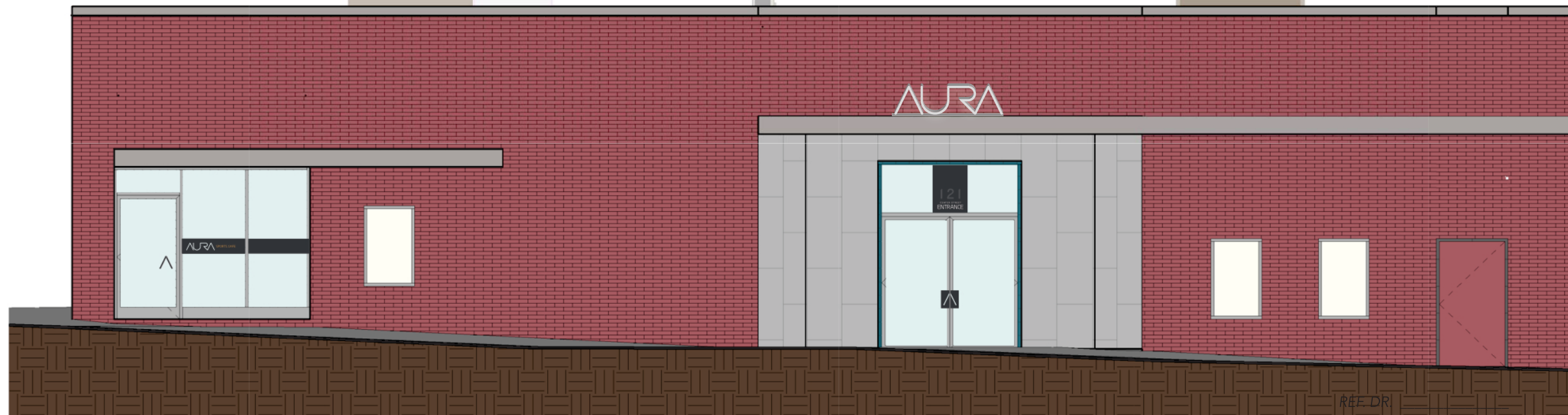
MOUNTING: STAND UP ON HORIZONTAL BASE PAINTED TO MATCH ALUCOBOND PLATINUM MICA / MATTHEWS

LED LIT: WHITE

120 V

REMOTE POWER SUPPLY, LOCATION T.B.D. / 1 1/4" CONDUIT WITHIN 20FT / DISCONNECT AT POWER SOURCE

PLOT N.T.S.



www.baileysign.com
 9 Thomas Drive
 Col. Westbrook Executive Park
 Westbrook, ME 04092
 207-774-2843 / 1-800-539-SIGN
 Fax: 774-1193
 E-Mail: sales@baileysign.com

PLEASE NOTE:
 THIS IS A PROGRESS PRINT - FIELD MEASUREMENTS MAY OR MAY NOT NEED TO BE VERIFIED.

THIS DESIGN IS THE EXCLUSIVE PROPERTY OF BAILEY SIGN INCORPORATED AND ALL RIGHTS TO ITS USE OR REPRODUCTION ARE RESERVED.

THE ACCURACY OF THIS COLOR RENDERING IS LIMITED BY MEDIA AND OUTPUT DEVICES AND IS INTENDED FOR REPRESENTATIONAL USE ONLY. ACTUAL MANUFACTURING/GRAPHIC COLORS ALSO VARY DEPENDING ON PROCESSES & MATERIALS USED. 100% COLOR MATCHES OF SUBMITTED SPECIFICATIONS CAN NOT BE GUARANTEED.

IF AN ELECTRIC SIGN, THEN INSTALLATION MUST BE ACCOMPLISHED IN TOTAL COMPLIANCE WITH ARTICLE 600 OF THE NATIONAL ELECTRIC CODE, THE REQUIREMENTS OF UNDERWRITERS LABORATORY, CANADIAN STANDARDS ASSOCIATION AND/OR ANY APPLICABLE LOCAL CODES. THIS INCLUDES PROPER GROUNDING AND BONDING OF THE SIGN

ALL ELECTRICAL SIGNS REQUIRE ROUTINE MAINTENANCE.

VOLTAGE

APPROVAL

CLIENT

APPROVED _____ DATE _____

BAILEY SIGN REPRESENTATIVE

APPROVED _____ DATE _____

DESIGNATED COPY FOR:



ESTIMATING/OUTSOURCING

GRAPHICS

FABRICATION

ROUTER

PAINT

INSTALLATION

CUSTOMER / SIGN LOCATION

BLAZE PARTNERS
 AURA

FREE STREET
 PORTLAND, MAINE

SALESPERSON: DE DRAWN BY: LWM

PS.# D-038 W.O.# 7479

SCALE 1/4" = 1' DATE 8/2/16

REVISION # / DATE / NOTES / INITIALS

R1 12/12/16 DETAIL SKETCH/OPTION WHITE

R2 1/3/17 RESIZE / ELECTRICAL NOTES

DRAWING #

07677 B R2

SHEET _____ OF _____

PROGRESS DRAWING