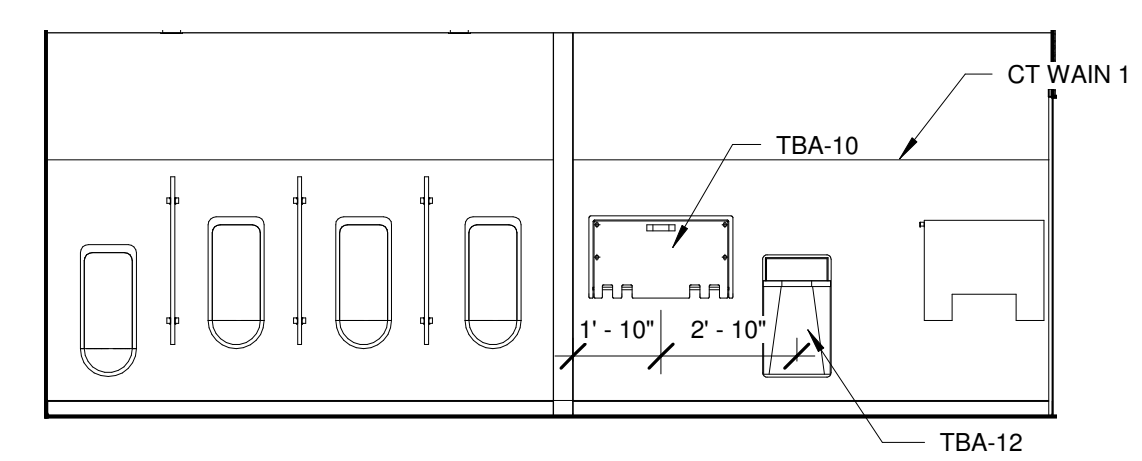
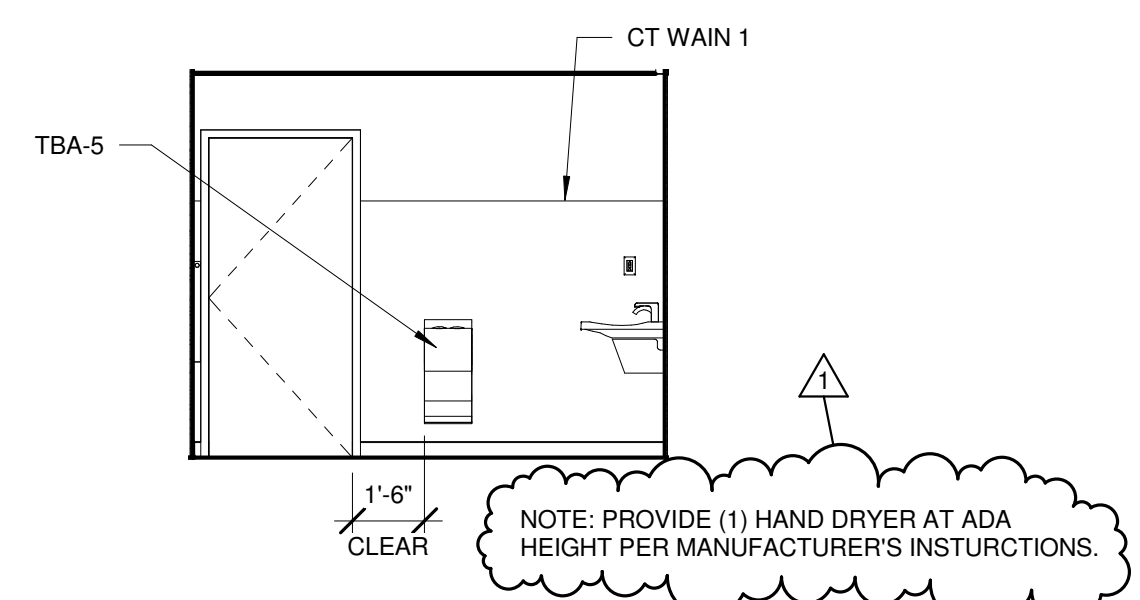


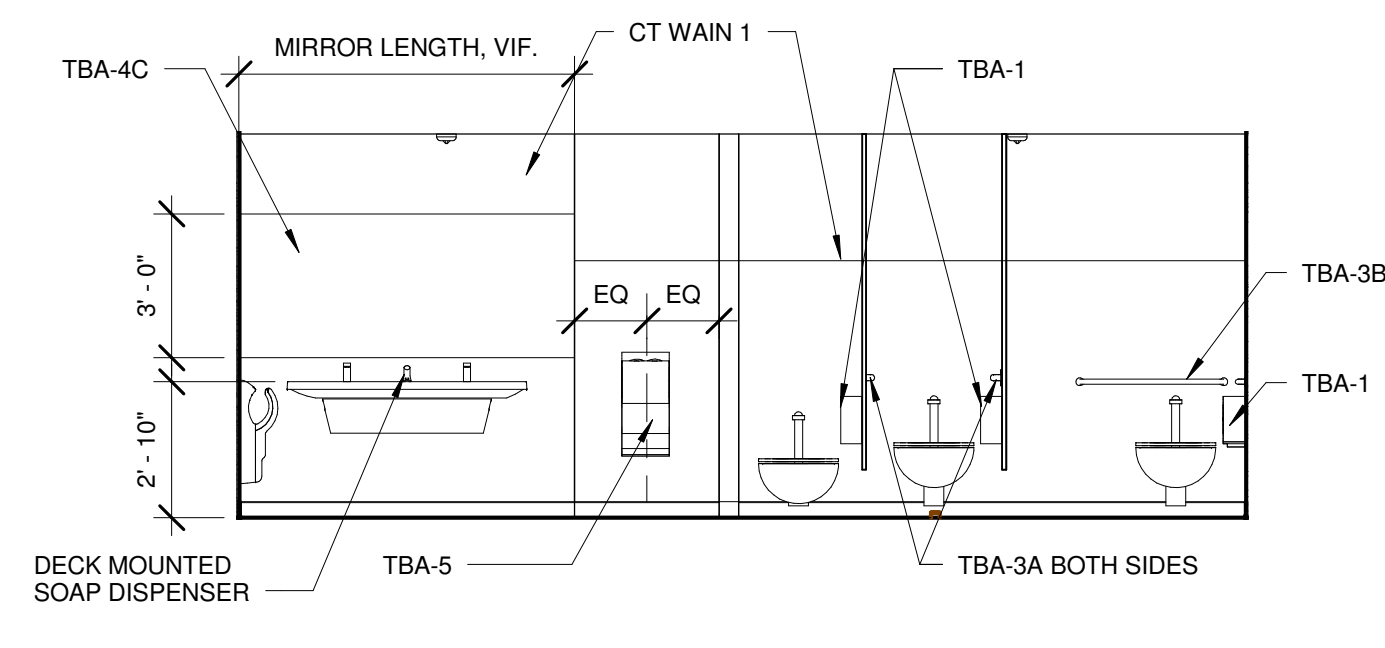
J1 018 - MENS RESTROOM
1/2" = 1'-0"



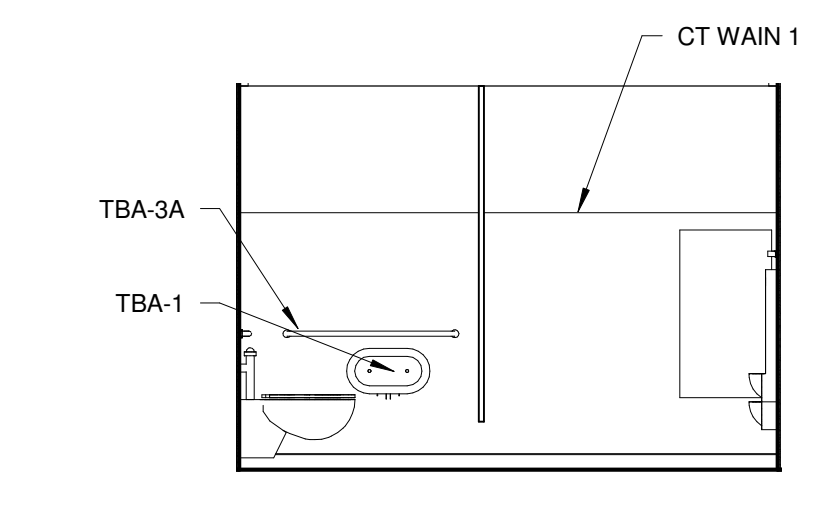
L8 018 - MENS RESTROOM - NORTH
1/4" = 1'-0"



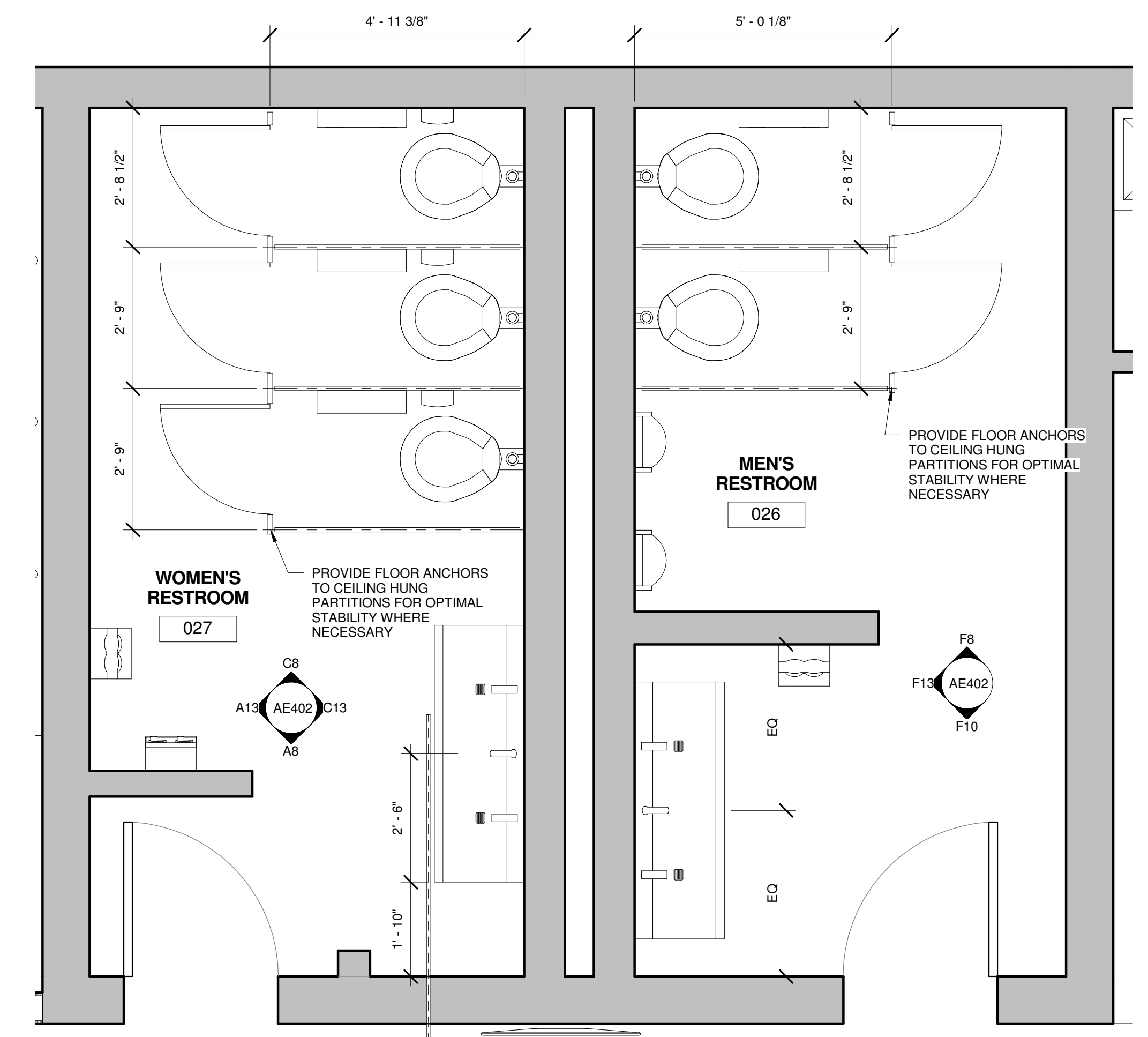
L13 018 - MENS RESTROOM - EAST
1/4" = 1'-0"



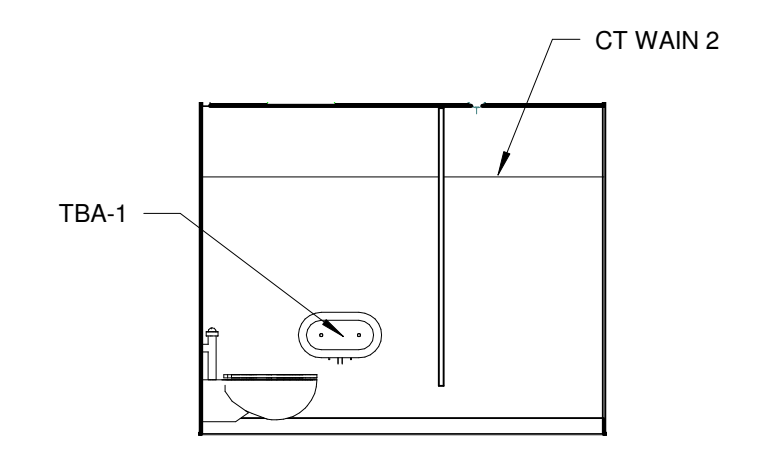
J8 018 - MENS RESTROOM - SOUTH
1/4" = 1'-0"



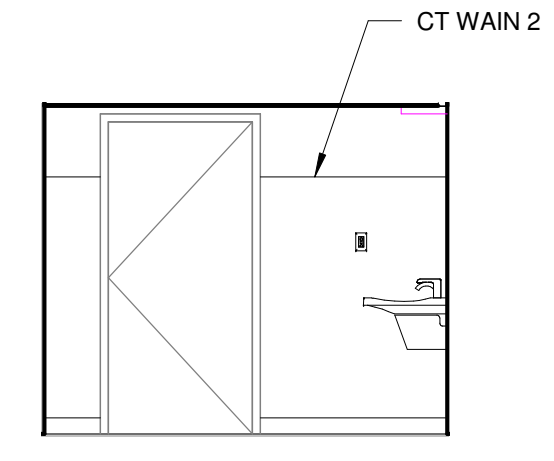
J13 018 - MENS RESTROOM - WEST
1/4" = 1'-0"



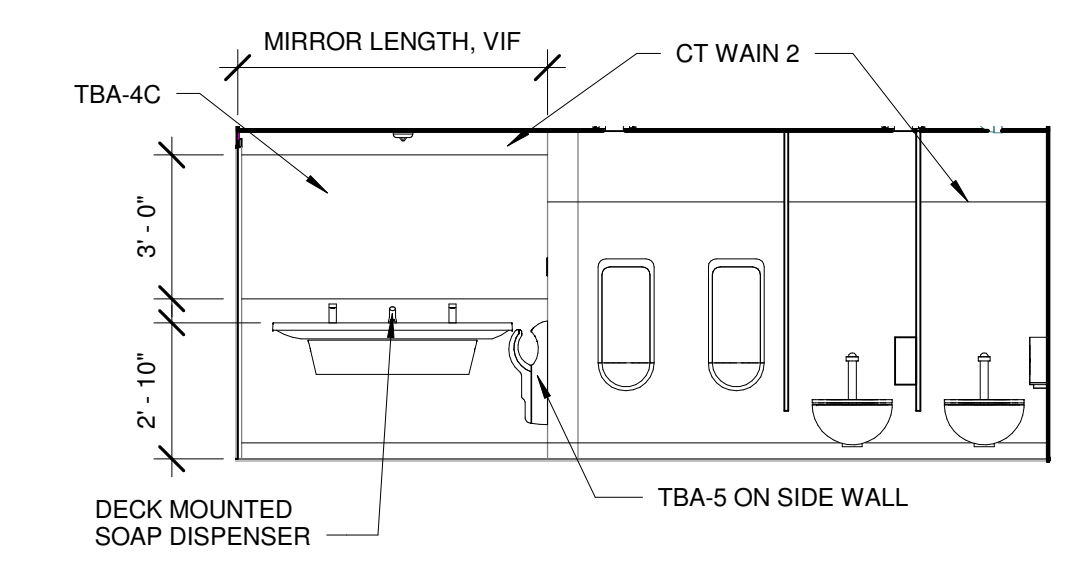
A1 026 & 027 RESTROOMS
1/2" = 1'-0"



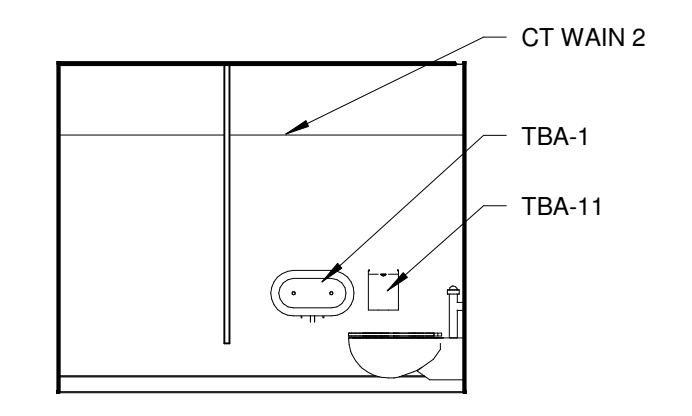
F8 026 - MENS RESTROOM - NORTH
1/4" = 1'-0"



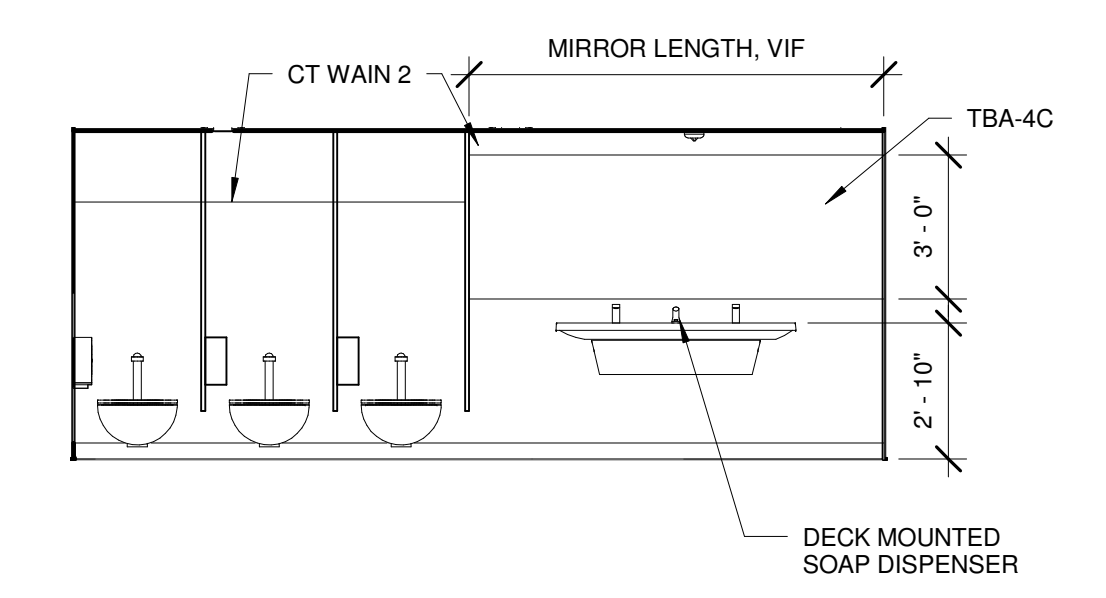
F10 026 - MENS RESTROOM - SOUTH
1/4" = 1'-0"



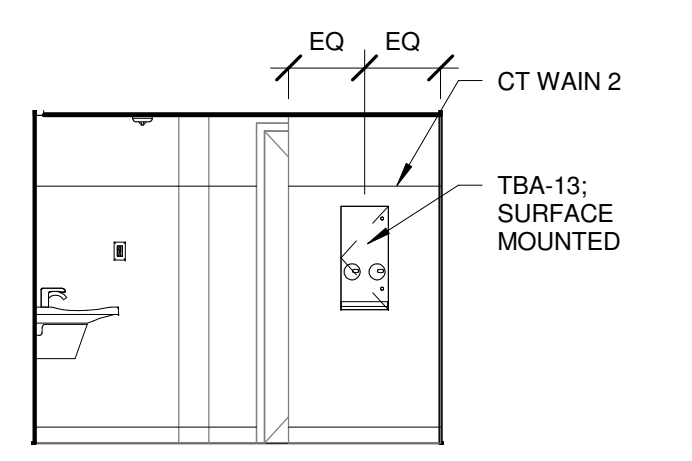
F13 026 - MENS RESTROOM - WEST
1/4" = 1'-0"



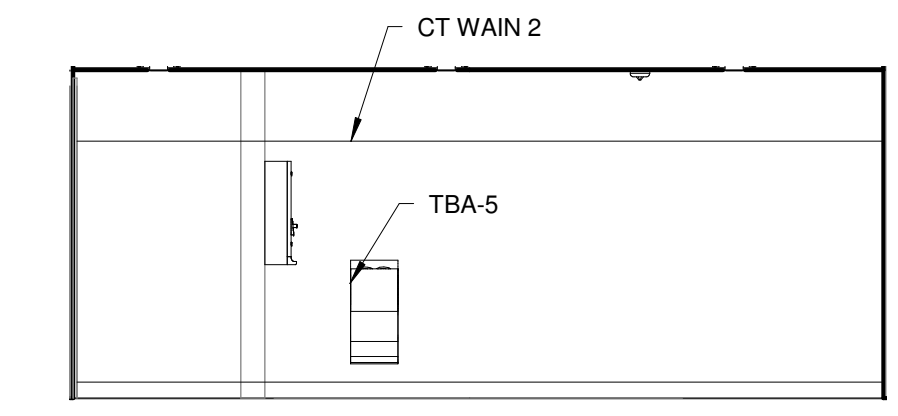
C8 027 - WOMENS RESTROOM - NORTH
1/4" = 1'-0"



C13 027 - WOMENS RESTROOM - EAST
1/4" = 1'-0"



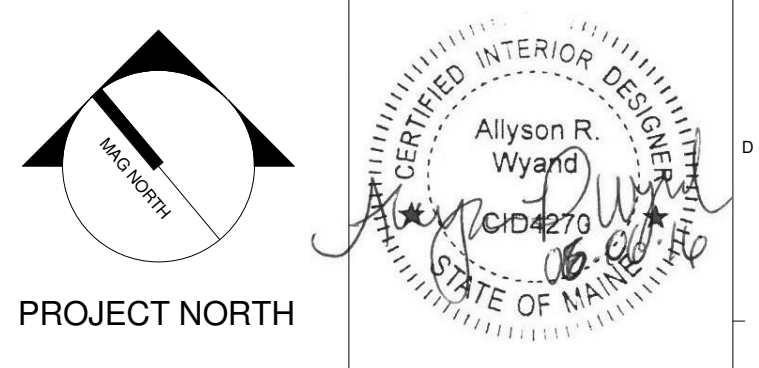
A8 027 - WOMENS RESTROOM - SOUTH
1/4" = 1'-0"



A13 027 - WOMENS RESTROOM - WEST
1/4" = 1'-0"

- GENERAL INTERIOR ELEVATION NOTES:**
- REFER TO ARCHITECTURAL ABBREVIATIONS ON SHEET G1002 FOR ALL ABBREVIATIONS.
 - REFER TO H1/AE401 FOR TYPICAL TOILET AND BATH ACCESSORIES (TBA) LEGEND AND MOUNTING HEIGHT INFORMATION.
 - G.C. SHALL PROVIDE AND INSTALL BLOCKING STIFFENERS, BACKING PLATES AND SUPPORTING CASEWORK (BOTH CONTRACTOR AND OWNER SUPPLIED), TOILET ACCESSORIES, VISUAL DISPLAY UNITS AND MISCELLANEOUS EQUIPMENT WHETHER SUCH SUPPORTS ARE SHOWN OR NOT. G.C. TO COORDINATE BLOCKING REQUIREMENTS OF OWNER SUPPLIED ITEMS WITH THE OWNER.
 - REFER TO AE601 FOR ALL DOOR TYPES, STYLE AND FRAME STYLES.
 - ALL EQUIPMENT, CASEWORK, ETC. TO BE CS/CI, UNO.
 - REFER TO DIVISION 6 SPECIFICATION FOR DETAILED INFORMATION RELATED TO MILLWORK WOOD CABINETS, UNO.
 - "CJ" DENOTES GWB CONTROL JOINT LOCATIONS.
 - REFER TO FINISH PLANS FOR CORNER GUARD LOCATIONS.
 - REFER TO FINISH PLANS AND SCHEDULES FOR COUNTERTOP MATERIAL.
 - REFER TO AE405 FOR CT TILE PATTERNS.
 - VERIFY ALL TOILET PARTITION DIMENSIONS IN THE FIELD BEFORE FABRICATION.

1	ADDENDUM NUMBER 1	13 JUNE 2016
0	ISSUED FOR CONSTRUCTION	06 JUNE 2016
REV.	DESCRIPTION	DATE



ASYLUM

PROJECT:
ENLARGED RESTROOM PLANS & ELEVATIONS

WBRC CAD FILE: C:\Users\allyson.wyand\Documents\407110 - ASYLUM DANCE CLUB - ARCH_allyson.wyand.rvt	GRAPHIC SCALE: 0" = 1"
PROJECT No: 4071.10	SCALE: As indicated
PROJECT MANAGER: JRB	DRAWN BY: ARW
CHECKED BY: JLR	SHEET No: AE402

6/13/2016 11:12:43 AM C:\Users\allyson.wyand\Documents\407110 - ASYLUM DANCE CLUB - ARCH_allyson.wyand.rvt